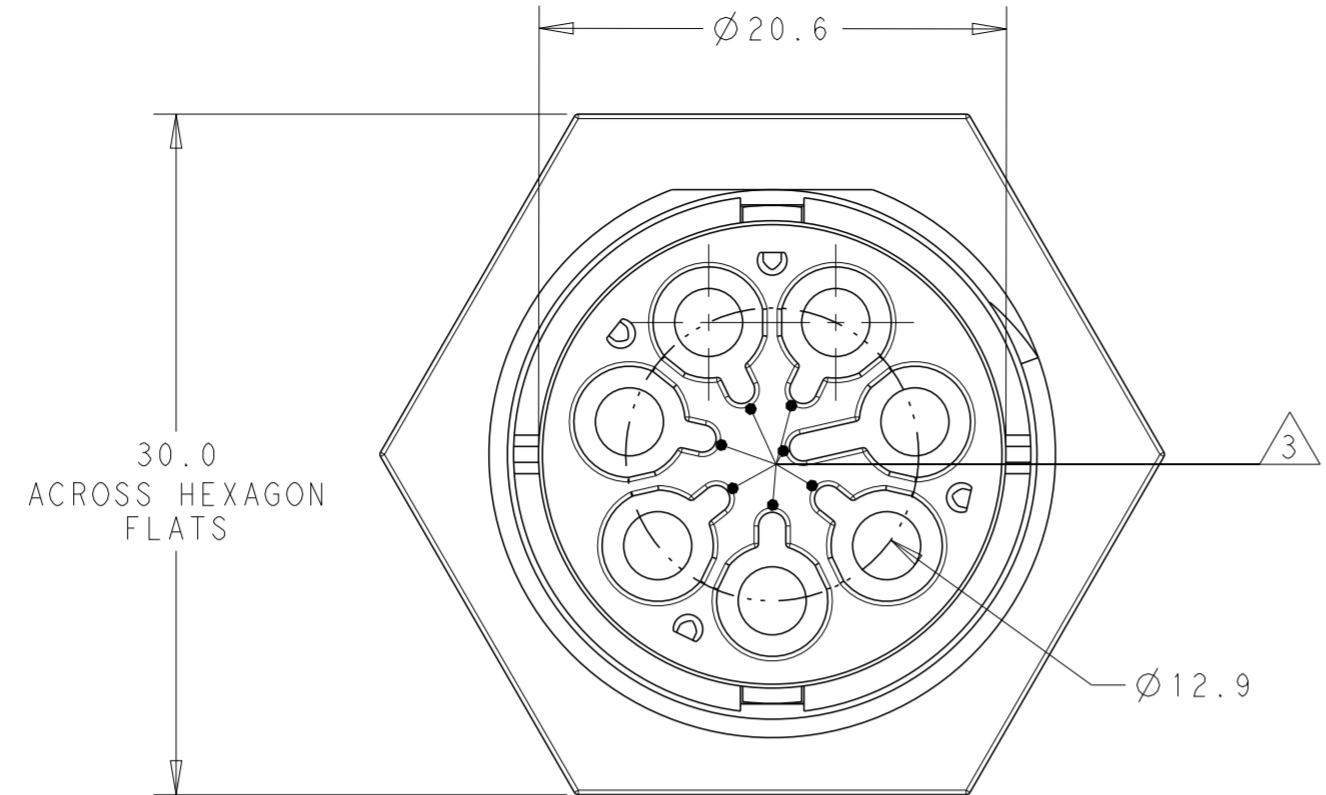


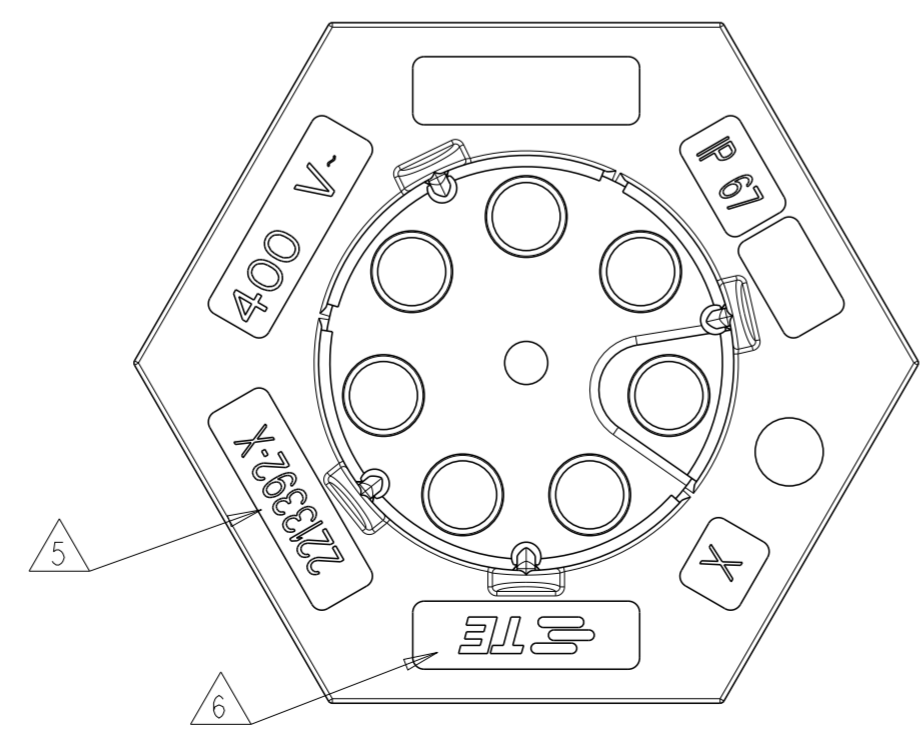
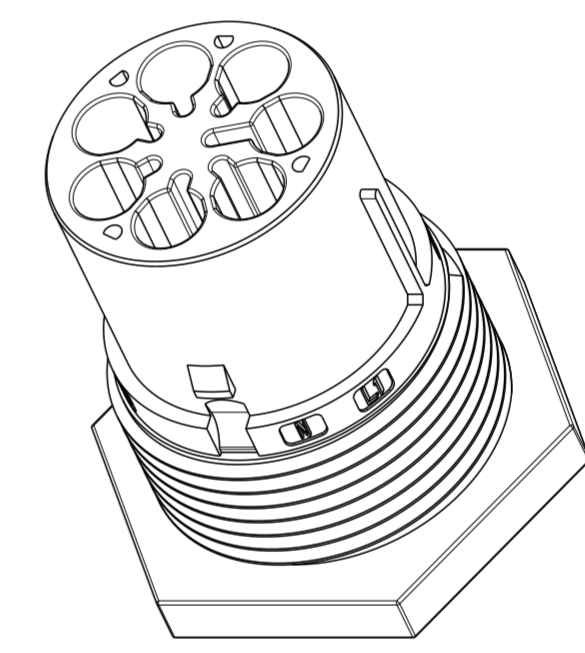
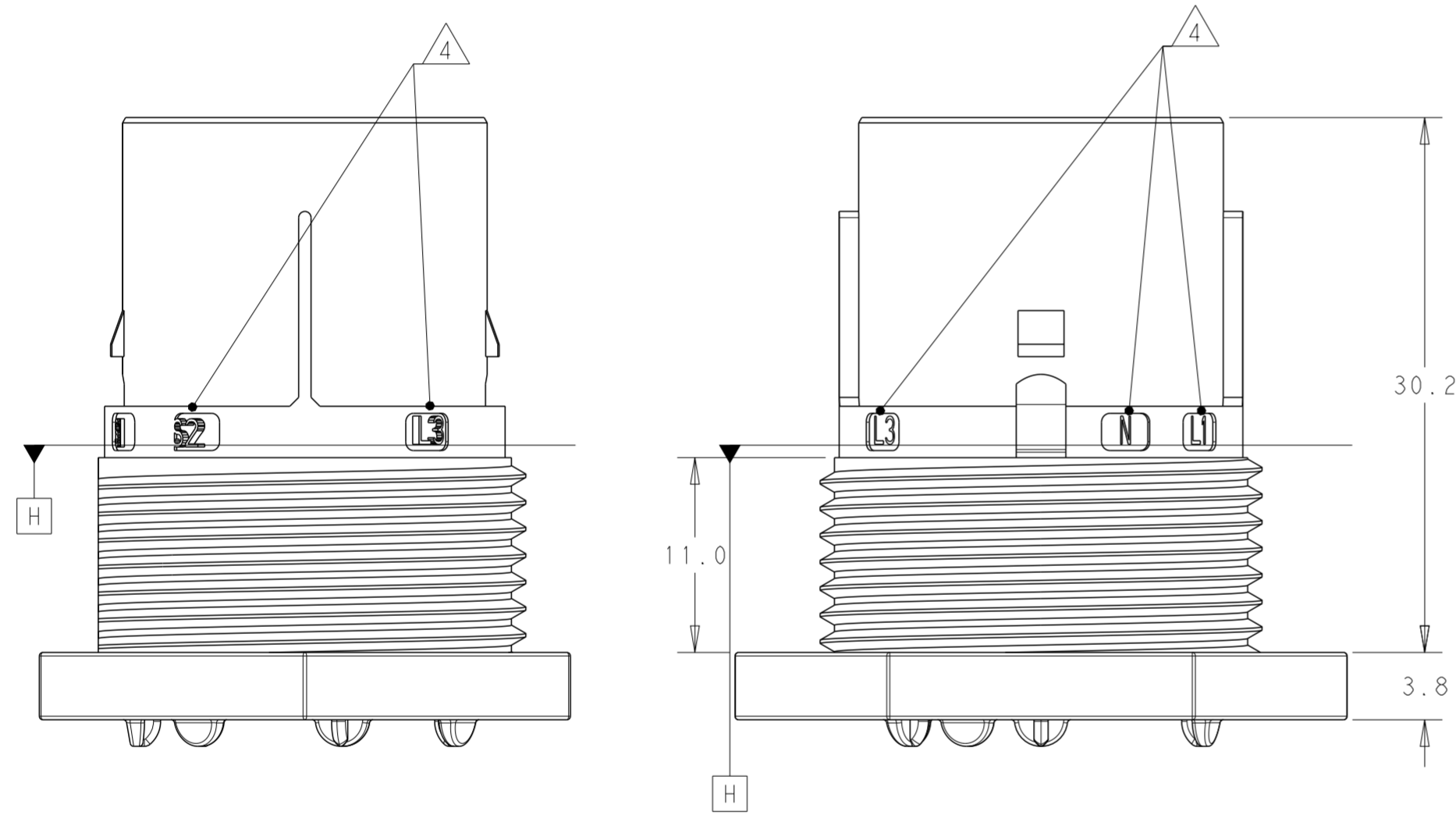
THIS DRAWING IS UNPUBLISHED. RELEASED FOR PUBLICATION 20
 © COPYRIGHT 20 BY - ALL RIGHTS RESERVED.

| REVISIONS | | | | | |
|-----------|-----|------------------------------|-----------|-----|------|
| P | LTR | DESCRIPTION | DATE | DWN | APVD |
| A | | REVISED AS PER ECR-15-005925 | 21APR2015 | RS | JL |
| A1 | | ECR-18-006945 | 05JUL2018 | SR | MZ |



NOTES:

- MATERIAL: GLASS FILLED PBT, COLOR: BLACK
- MUST COMPLY WITH DIRECTIVE 2002/95/EC (ROHS)
- ALL POLARIZATION KEYS SHOWN FOR REF ONLY.
- CIRCUIT I.D.
- TE PART NUMBER.
- TE LOGO
- THIS PRODUCT HAS NOT COMPLETED VALIDATION TESTING



| | | | | |
|----------|-------------------|--|-------------|-------------|
| OBSOLETE | E | PANEL MT PIN. SEALED NECTOR M, 7 POLE | 2213392-5 | |
| | D | PANEL MT PIN. SEALED NECTOR M, 7 POLE | 2213392-4 | |
| | C | PANEL MT PIN. SEALED NECTOR M, 7 POLE | 2213392-3 | |
| | B | PANEL MT PIN. SEALED NECTOR M, 7 POLE | 2213392-2 | |
| | A | PANEL MT PIN. SEALED NECTOR M, 7 POLE | 2213392-1 | |
| | POLARIZATION TYPE | | DESCRIPTION | PART NUMBER |

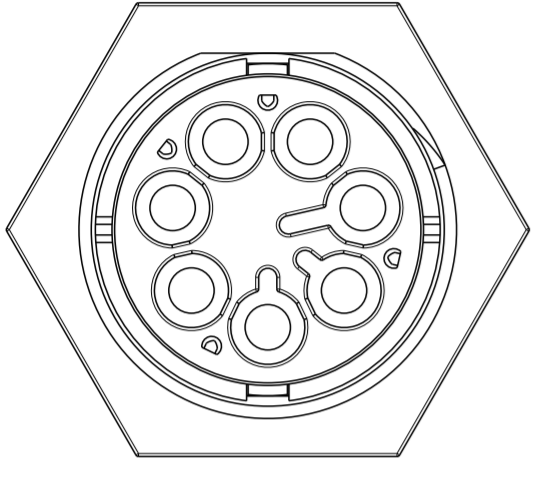
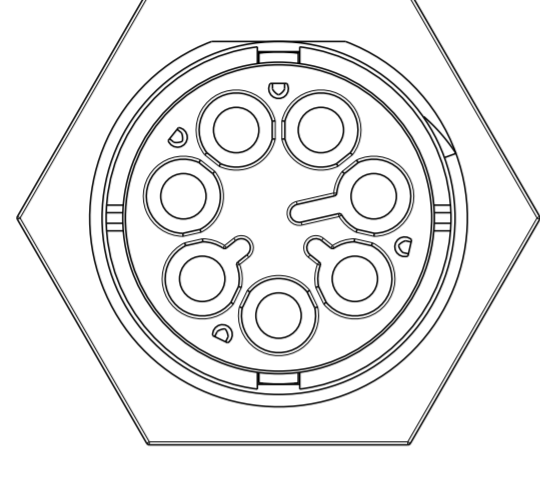
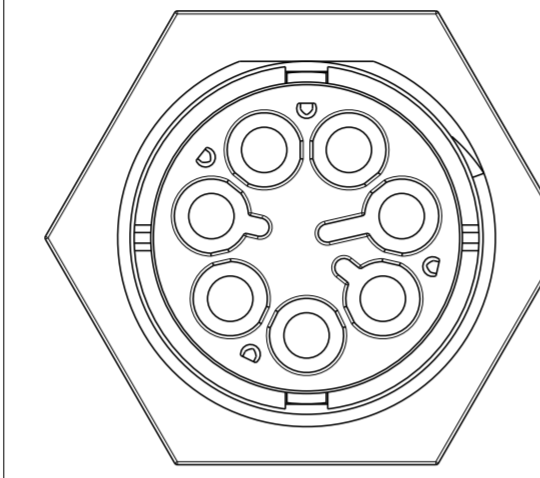
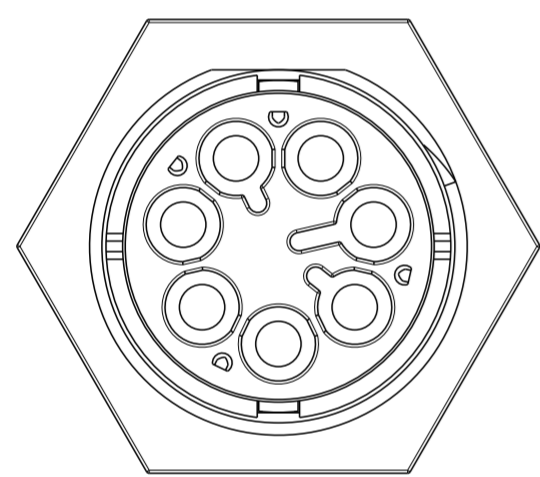
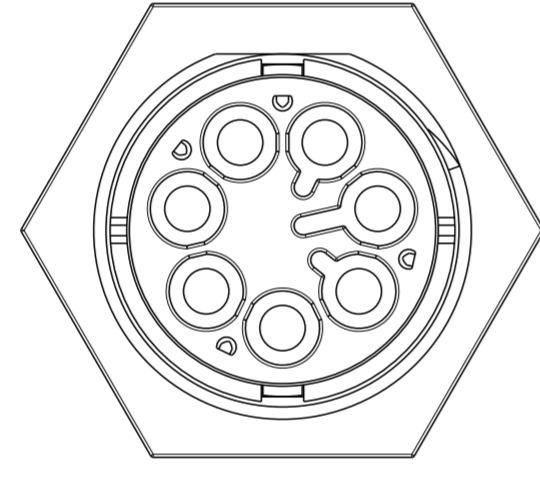
| DIMENSIONS: | | TOLERANCES UNLESS OTHERWISE SPECIFIED: | | APVD | | NAME | |
|-------------|--------|--|-------|----------|--|-------------|--|
| mm | | 0 PLC ± | ±0.2 | M.LUKSIC | | J. SHAEFFER | |
| | | 1 PLC ± | ±0.13 | M.LUKSIC | | M.LUKSIC | |
| | | 2 PLC ± | ± | M.LUKSIC | | M.LUKSIC | |
| | | 3 PLC ± | ± | M.LUKSIC | | M.LUKSIC | |
| | | 4 PLC ± | ± | M.LUKSIC | | M.LUKSIC | |
| | | ANGLES ± | ± | M.LUKSIC | | M.LUKSIC | |
| | | FINISH | ± | M.LUKSIC | | M.LUKSIC | |
| MATERIAL | NOTE 1 | | | M.LUKSIC | | M.LUKSIC | |

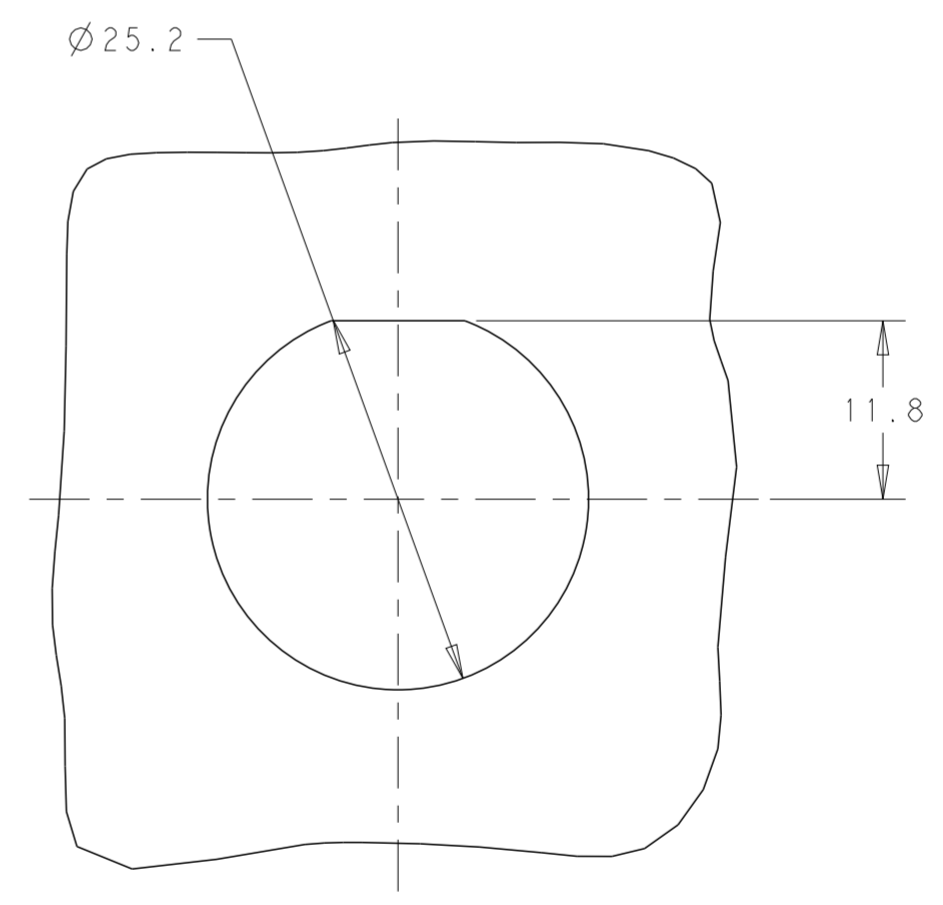
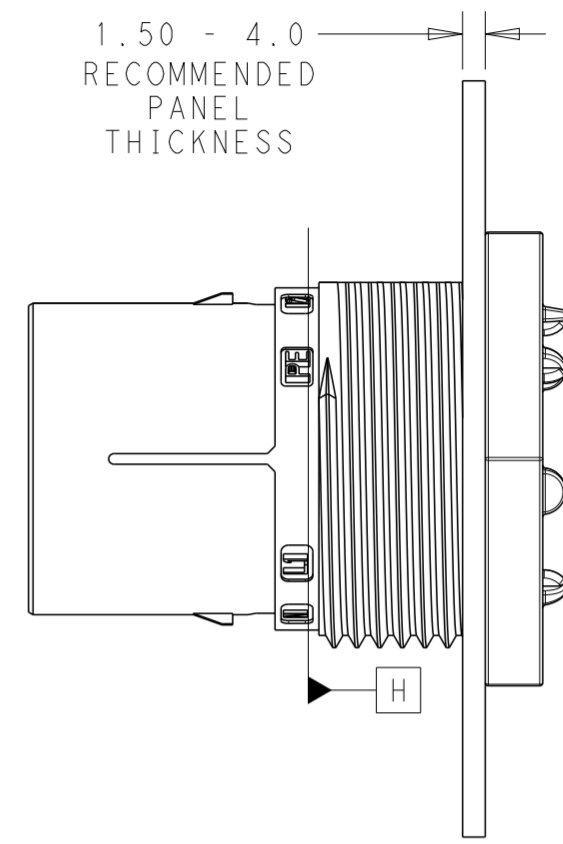
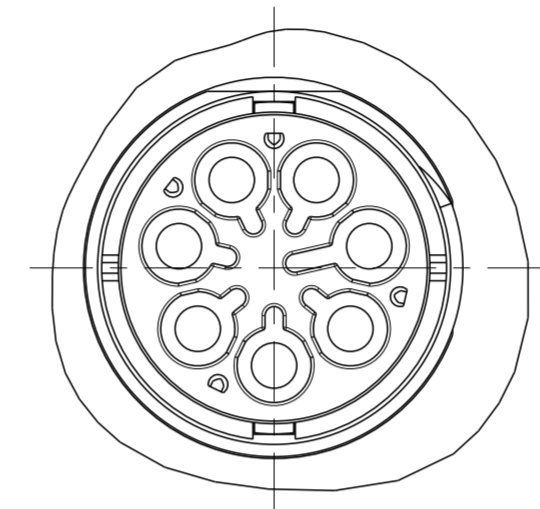
| THIS DRAWING IS A CONTROLLED DOCUMENT. | | | | DWN 21 JAN 2014 | | | |
|--|--|--------------|--|------------------|--|--|--|
| | | | | CHK 21 JAN 2014 | | | |
| | | | | APVD 21 JAN 2014 | | | |
| | | | | PRODUCT SPEC | | | |
| | | | | APPLICATION SPEC | | | |
| | | | | 114-32111 | | | |
| | | | | WEIGHT | | | |
| | | | | Customer Drawing | | | |
| SCALE 2:1 | | SHEET 1 OF 2 | | REV A1 | | | |

THIS DRAWING IS UNPUBLISHED. RELEASED FOR PUBLICATION 20
 © COPYRIGHT 20 BY - ALL RIGHTS RESERVED.

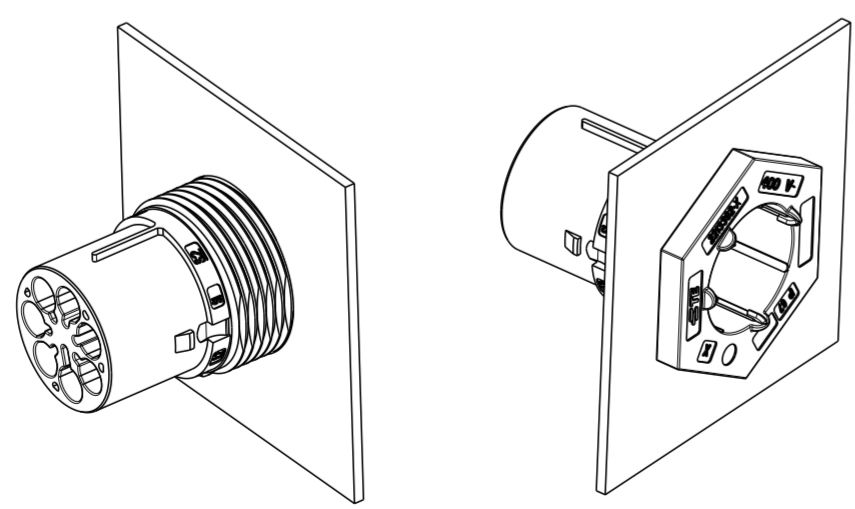
| REVISIONS | | | | |
|-----------|-----|-------------|------|------|
| P | LTR | DESCRIPTION | DATE | APVD |
| - | - | SEE SHEET 1 | - | - |
| | | | | |
| | | | | |

POLARIZATION TYPES


| POLARIZATION TYPE "A" | POLARIZATION TYPE "B" | POLARIZATION TYPE "C" |
|--|--|--|
|  |  |  |
| PN: 2213392-1 | PN: 2213392-2 | PN: 2213392-3 |
| POLARIZATION TYPE "D" | POLARIZATION TYPE "E" | |
|  |  | |
| PN: 2213392-4 | PN: 2213392-5 | |



RECOMMENDED PANEL CUTOUT



3D VIEWS FOR REFERENCE ONLY

| | | | | |
|--|------------|----------------------------|---|-----------------|
| THIS DRAWING IS A CONTROLLED DOCUMENT. | | DWN J. SHAFFER 21 JAN 2014 |  TE Connectivity | |
| DIMENSIONS: mm | | CHK M. LUKSIC 21 JAN 2014 | | |
| TOLERANCES UNLESS OTHERWISE SPECIFIED: | | APVD M. LUKSIC 21 JAN 2014 | NAME PANEL MOUNT, PIN; SEALED NECTOR M-LINE; 7 POLE | |
| 0 PLC ± | 1 PLC ±0.2 | PRODUCT SPEC 108-133014 | SIZE A2 | CAGE CODE - |
| 2 PLC ±0.13 | 3 PLC ± | APPLICATION SPEC 114-32111 | DRAWING NO C-2213392 | RESTRICTED TO - |
| 4 PLC ± | ANGLES ± | WEIGHT - | SCALE 2:1 | SHEET 2 OF 2 |
| MATERIAL NOTE 1 | FINISH - | Customer Drawing | REV A1 | |

X-ON Electronics

Largest Supplier of Electrical and Electronic Components

Click to view similar products for [Lighting Connectors](#) category:

Click to view products by [TE Connectivity](#) manufacturer:

Other Similar products are found below :

[293300-7](#) [293660-5](#) [CNX_H03_NTP](#) [30-9767-BU](#) [3605](#) [3-21030-1](#) [ZCH-110-RGB-I](#) [503471-0290](#) [ZCH-110-RGB-J](#) [217-0716-200](#)
[1954563-1](#) [1-293657-2](#) [2834036-1](#) [2834037-1](#) [1-2213222-4](#) [2-2213222-4](#) [2213222-4](#) [2834122-3](#) [2834122-5](#) [2834135-2](#) [FLA-R4142-30](#)
[FLA-R4162-30](#) [FLA-R2142-30](#) [FLA-R2141-30](#) [FLA-R2162-30](#) [FLA-R2161-30](#) [FLA-R0161-30](#) [FLA-R0141-30](#) [FLA-R0142-30](#) [FLA-](#)
[R0162-30](#) [FLA-C00-00](#) [DGA00010553](#) [CNXV04NTP](#) [104128-0610](#) [503485-0000 \(Cut Strip\)](#) [503485-0000 \(Loose Piece\)](#) [503485-0000](#)
[\(MINI Reel\)](#) [1-2834074-2](#) [1-2834074-3](#) [1357-AC PLUG W2C \(CHINA\)](#) [1357-AC PLUG W2 \(USA\)](#) [104266-0110](#) [CNXV02NTP](#) [2106212-1](#)
[2-2834074-2](#) [104266-0210](#) [293470-1](#) [293651-2](#) [293651-4](#) [1-2834006-2](#)