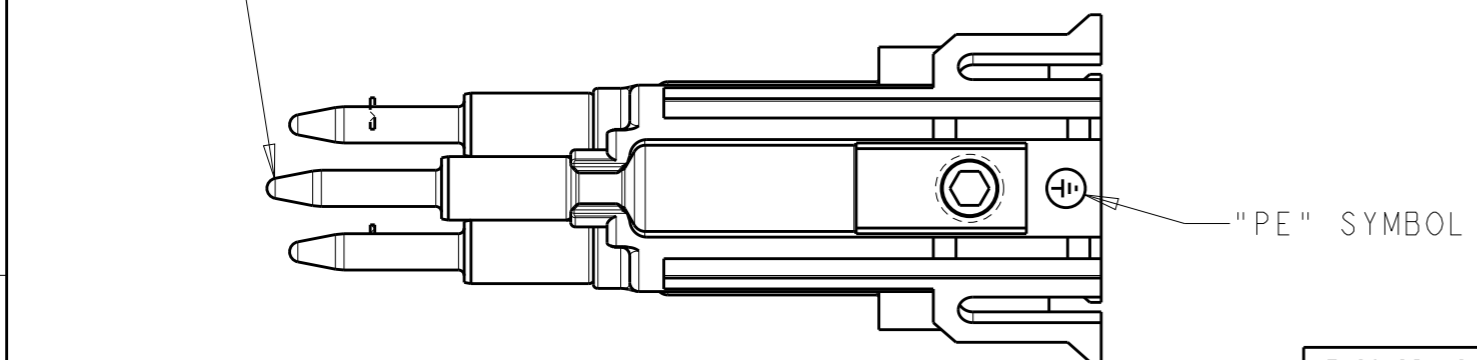
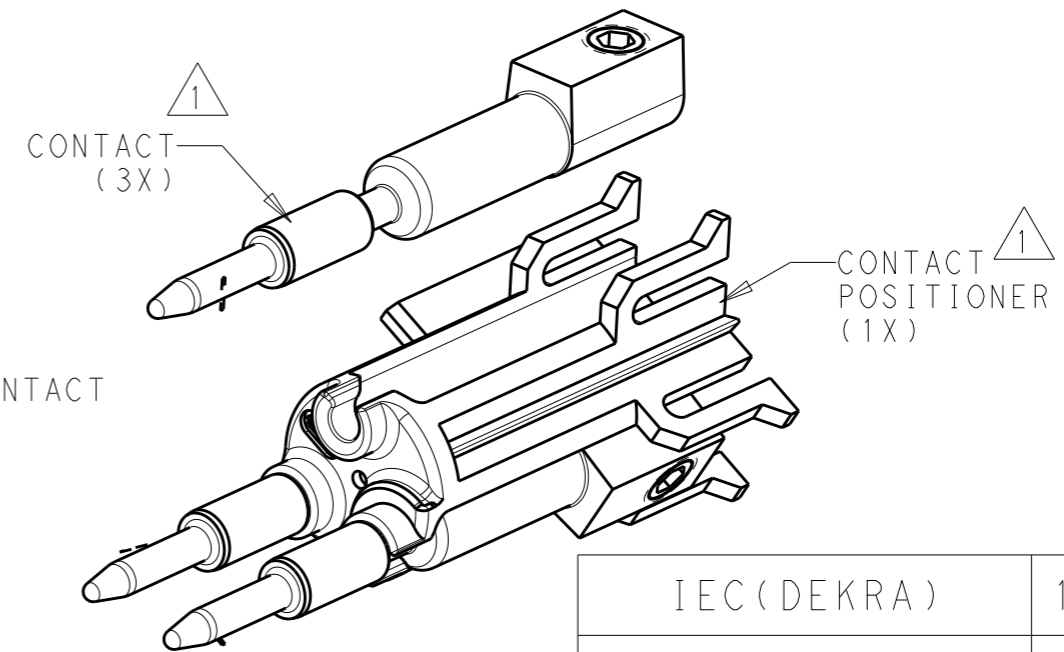
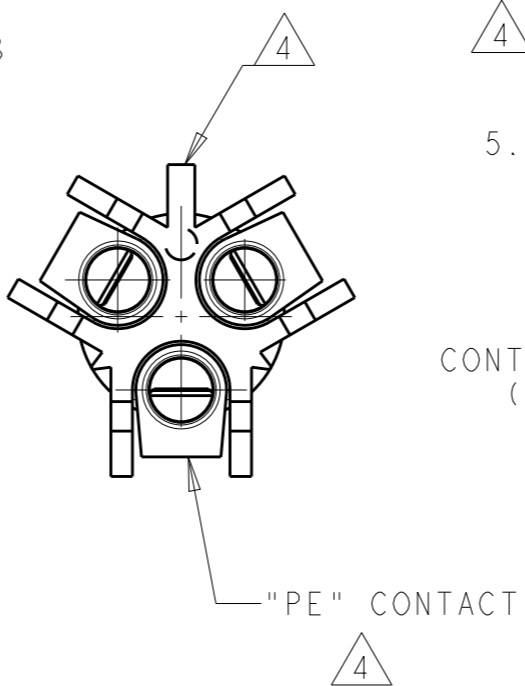
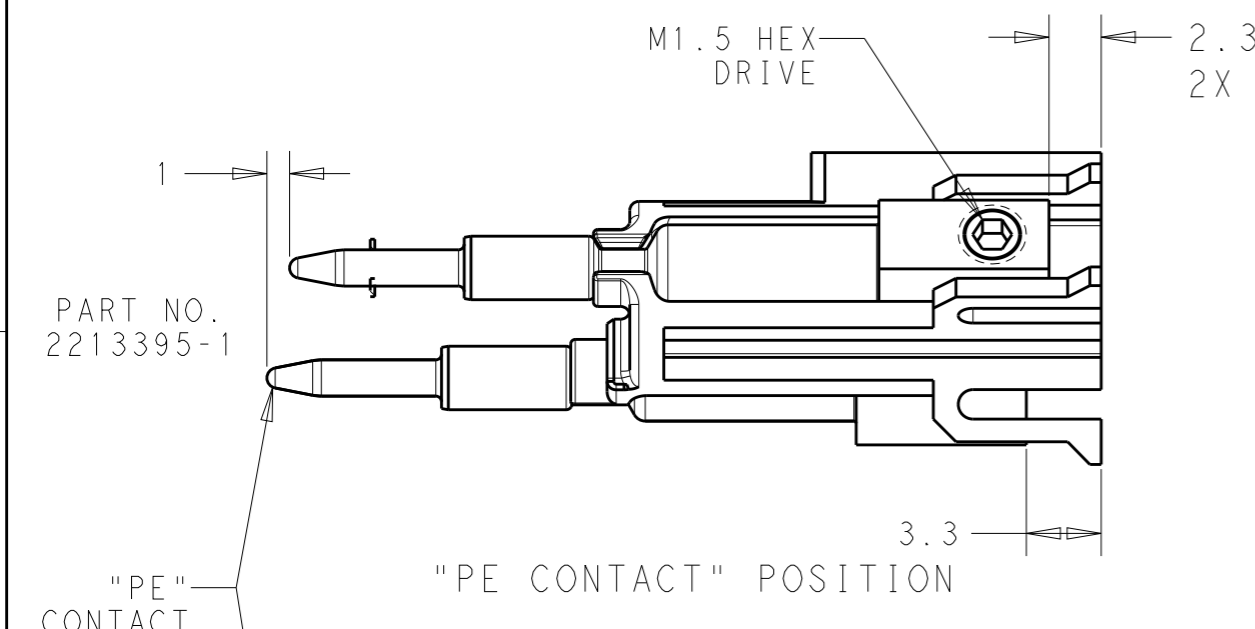
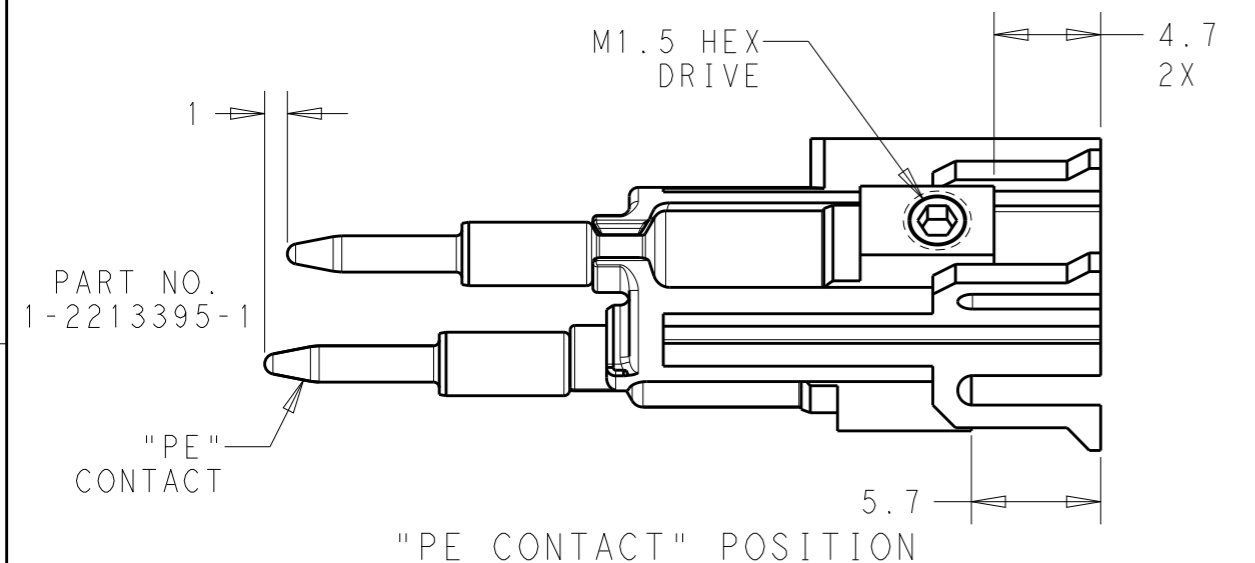


REVISIONS


P	LTR	DESCRIPTION	DATE	DWN	APVD
	A	REVISED AS PER ECR-15-005925	21APR2015	RS	JL
	A1	REVISED AS PER ECR-15-011621	06AUG2015	RS	JL

NOTES:

- 1 MATERIALS:
CONTACTS: COPPER ALLOY, TIN PLATE
CONTACT POSITIONER: GLASS FILLED PBT, COLOR BLACK.
- 2. MUST COMPLY WITH DIRECTIVE 2002/95/EC (ROHS)
- 3. CONTACTS (3X) ARE PRE-ASSEMBLED INTO CONTACT POSITIONER AS SHOWN.
- 4 ASSEMBLY "KEY" ALIGNS WITH "PE" CONTACT AS SHOWN.
- 5. THIS PRODUCT HAS NOT COMPLETED VALIDATION TESTING.



IEC (DEKRA)	1-2213395-1
UL	2213395-1
AGENCY APPROVALS	PART NO.

THIS DRAWING IS A CONTROLLED DOCUMENT.		DWN J. SHAFFER 31MAR2014	 TE Connectivity	
DIMENSIONS: mm		CHK M. LUKSIC 31MAR2014		
TOLERANCES UNLESS OTHERWISE SPECIFIED:		APVD M. LUKSIC 31MAR2014	NAME ASSY, FI PIN, NECTOR M-LINE SEALED, 3 POSN	
0 PLC ±-		PRODUCT SPEC 108-133014	SIZE A3	
1 PLC ±0.2		APPLICATION SPEC 114-32111	CAGE CODE -	DRAWING NO C-2213395
2 PLC ±0.13		WEIGHT -	RESTRICTED TO -	
3 PLC ±-		SCALE 3:1		
4 PLC ±-		SHEET 1 OF 1		
ANGLES ±		REV A1		
FINISH -		Customer Drawing		

X-ON Electronics

Largest Supplier of Electrical and Electronic Components

Click to view similar products for [Lighting Connectors](#) category:

Click to view products by [TE Connectivity](#) manufacturer:

Other Similar products are found below :

[293300-7](#) [293660-5](#) [CNX_H03_NTP](#) [30-9767-BU](#) [3605](#) [3-21030-1](#) [ZCH-110-RGB-I](#) [503471-0290](#) [ZCH-110-RGB-J](#) [217-0716-200](#)
[1954563-1](#) [1-293657-2](#) [2834036-1](#) [2834037-1](#) [1-2213222-4](#) [2-2213222-4](#) [2213222-4](#) [2834122-3](#) [2834122-5](#) [2834135-2](#) [FLA-R4142-30](#)
[FLA-R4162-30](#) [FLA-R2142-30](#) [FLA-R2141-30](#) [FLA-R2162-30](#) [FLA-R2161-30](#) [FLA-R0161-30](#) [FLA-R0141-30](#) [FLA-R0142-30](#) [FLA-](#)
[R0162-30](#) [FLA-C00-00](#) [DGA00010553](#) [CNXV04NTP](#) [104128-0610](#) [503485-0000 \(Cut Strip\)](#) [503485-0000 \(Loose Piece\)](#) [503485-0000](#)
[\(MINI Reel\)](#) [1-2834074-2](#) [1-2834074-3](#) [1357-AC PLUG W2C \(CHINA\)](#) [1357-AC PLUG W2 \(USA\)](#) [104266-0110](#) [2106212-1](#) [2-2834074-2](#)
[104266-0210](#) [293470-1](#) [293651-2](#) [293651-4](#) [1-2834006-2](#) [293651-1](#)