

THIS DRAWING IS UNPUBLISHED.

RELEASED FOR PUBLICATION

20

© COPYRIGHT 20 BY -

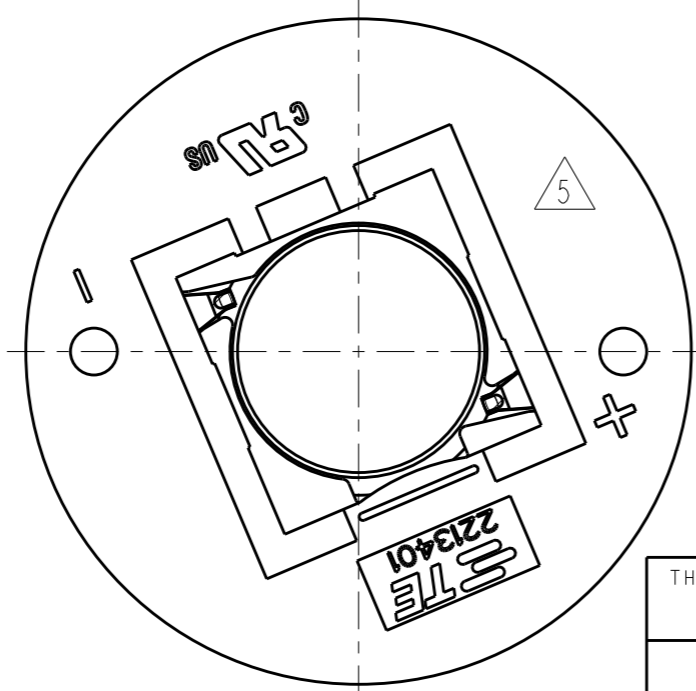
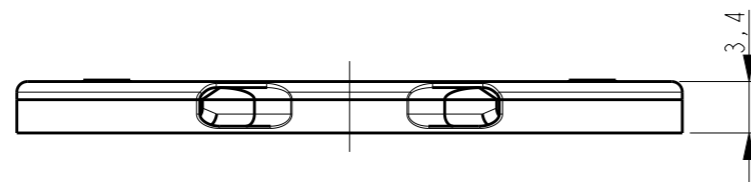
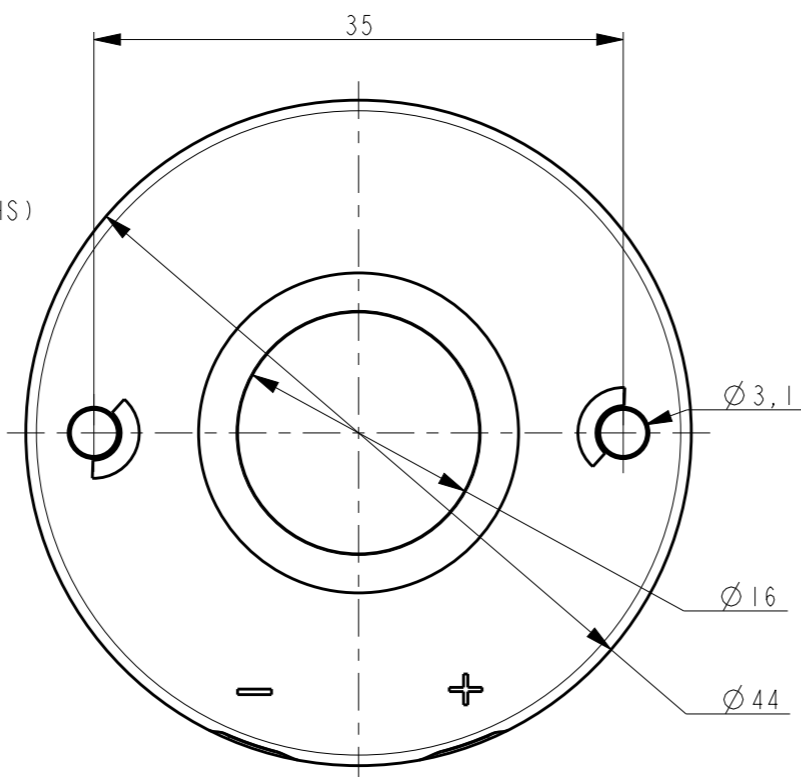
ALL RIGHTS RESERVED.

REVISIONS

P	LTR	DESCRIPTION	DATE	DWN	APVD
B2		ECR-17-002648	24FEB2017	RK	MvE
C		REVISED PER ECR-17-005513	13APR2017	SK	MvE
D		REVISED PER ECR-18-017701	15NOV2018	GCM	DD
D1		REVISED PER ECR-19-000064	04JAN2019	SR	DD

NOTES:

- MATERIALS:
HOUSING: GLASS FILLED PBT
HALOGEN FREE FLAME RETARDANT,
COLOR : NATURAL/WHITE
CONTACTS: SILVER PLATED COPPER ALLOY
- FOR SOLID AND STRANDED WIRE AWG 22-18
- COMPLIES WITH DIRECTIVE 2002/95/EC (ROHS)
- M3 SCREW TO BE USED FOR MOUNTING
- DATE CODE YY-WW-D ANY WHERE EXCEPT OVER LOGO OR +/- SIGN.
- FOR COB-TO-HOLDER CROSS REFERENCE, REFER TO APPLICATION SPECIFICATION 114-32208.



M3 SCREW HOLES

WIRE ENTRANCE

SCALE 3:2

LED CLAMPING FEATURE

LED PRESSURE CONTACTS

2213401-1 AS SHOWN
LUMAWISE LED HOLDER Z50 LOW PROFILE

LUMAWISE LED HOLDER Z50 STANDARD PROFILE 1818	2213401-2
LUMAWISE LED HOLDER Z50 LOW PROFILE 1818	2213401-1
DESCRIPTION	PART NO

THIS DRAWING IS A CONTROLLED DOCUMENT.

DIMENSIONS:	TOLERANCES UNLESS OTHERWISE SPECIFIED:
mm	
	0 PLC ±-
	1 PLC ±-
	2 PLC ±-
	3 PLC ±-
	4 PLC ±-
	ANGLES ±2°
MATERIAL	FINISH
-	-
-	-

DWN	28OCT2013
YASHKUMAR	
CHK	28OCT2013
M.V.ESSSEN	
APVD	29OCT2013
O.I.FLJNSF	
PRODUCT SPEC	108-133008
APPLICATION SPEC	114-32048
WEIGHT	-
CUSTOMER DRAWING	

STE TE Connectivity

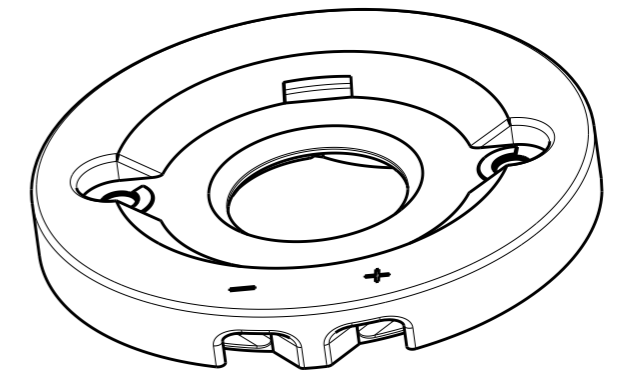
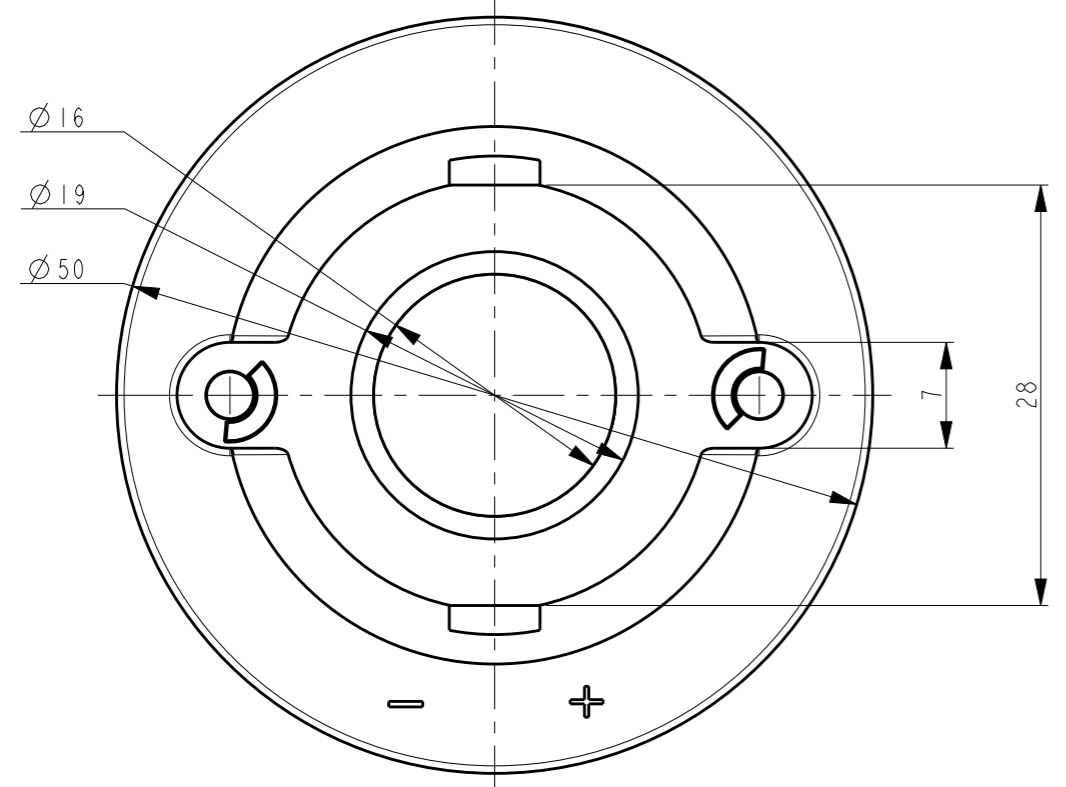
NAME: LUMAWISE LED HOLDER Z50 1818

SIZE	CAGE CODE	DRAWING NO	RESTRICTED TO
A3	-	C-2213401	

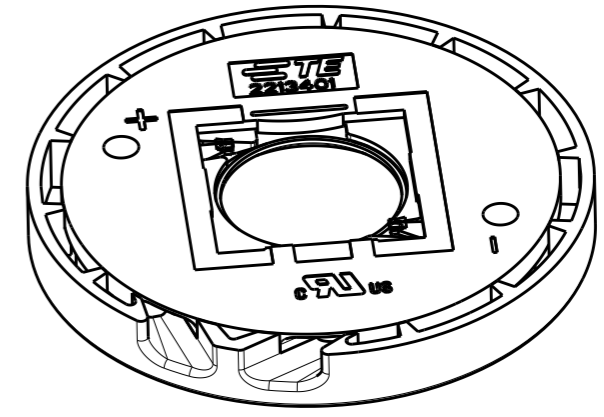
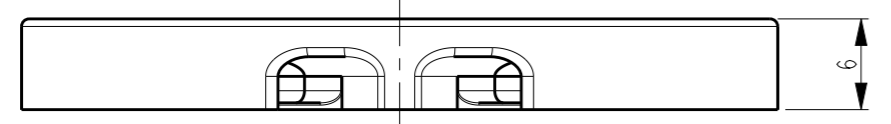
SCALE 2:1 SHEET 1 OF 3 REV D1

THIS DRAWING IS UNPUBLISHED. RELEASED FOR PUBLICATION 20
 © COPYRIGHT 20 BY - ALL RIGHTS RESERVED.

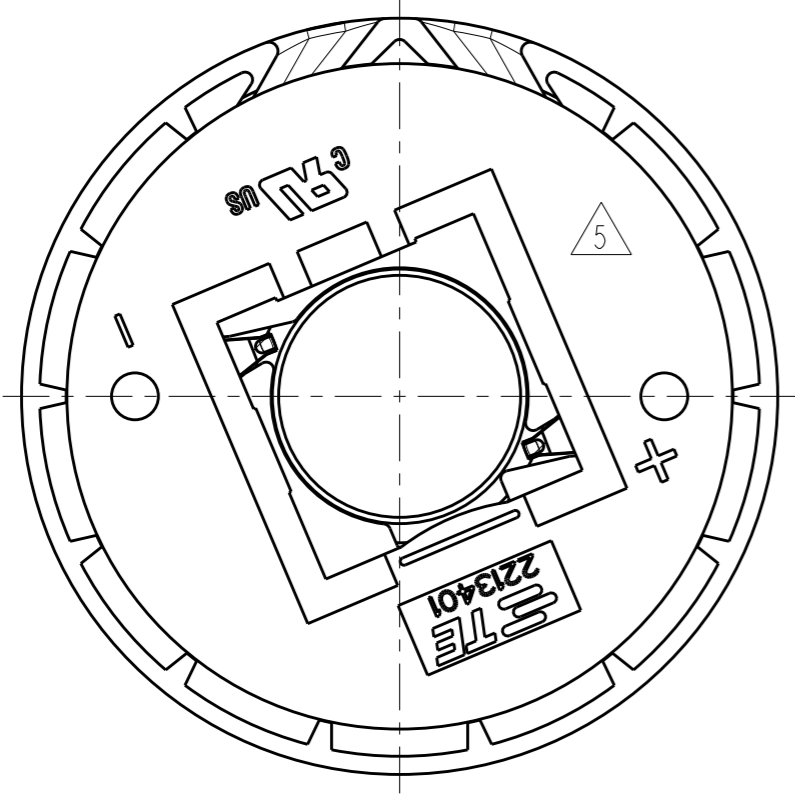
REVISIONS					
P	LTR	DESCRIPTION	DATE	DWN	APVD
-		SEE SHEET 1	-	-	-



SCALE 3:2



2213401-2 AS SHOWN
LUMAWISE LED HOLDER Z50 STANDARD PROFILE



THIS DRAWING IS A CONTROLLED DOCUMENT.		DWN YASHKUMAR 28OCT2013	TE Connectivity		
DIMENSIONS: mm		CHK M.V.ESSEN 28OCT2013			
TOLERANCES UNLESS OTHERWISE SPECIFIED:		APVD O.I.FLJNSE 29OCT2013	PRODUCT SPEC 108-133008	SIZE A3	CAGE CODE -
0 PLC ±- 1 PLC ±- 2 PLC ±- 3 PLC ±- 4 PLC ±- ANGLES ±2°		APPLICATION SPEC 114-32048	DRAWING NO C-2213401	RESTRICTED TO	
MATERIAL -	FINISH -	WEIGHT -	CUSTOMER DRAWING	SCALE 2:1	SHEET 2 OF 3
				REV D1	

THIS DRAWING IS UNPUBLISHED.

RELEASED FOR PUBLICATION

20

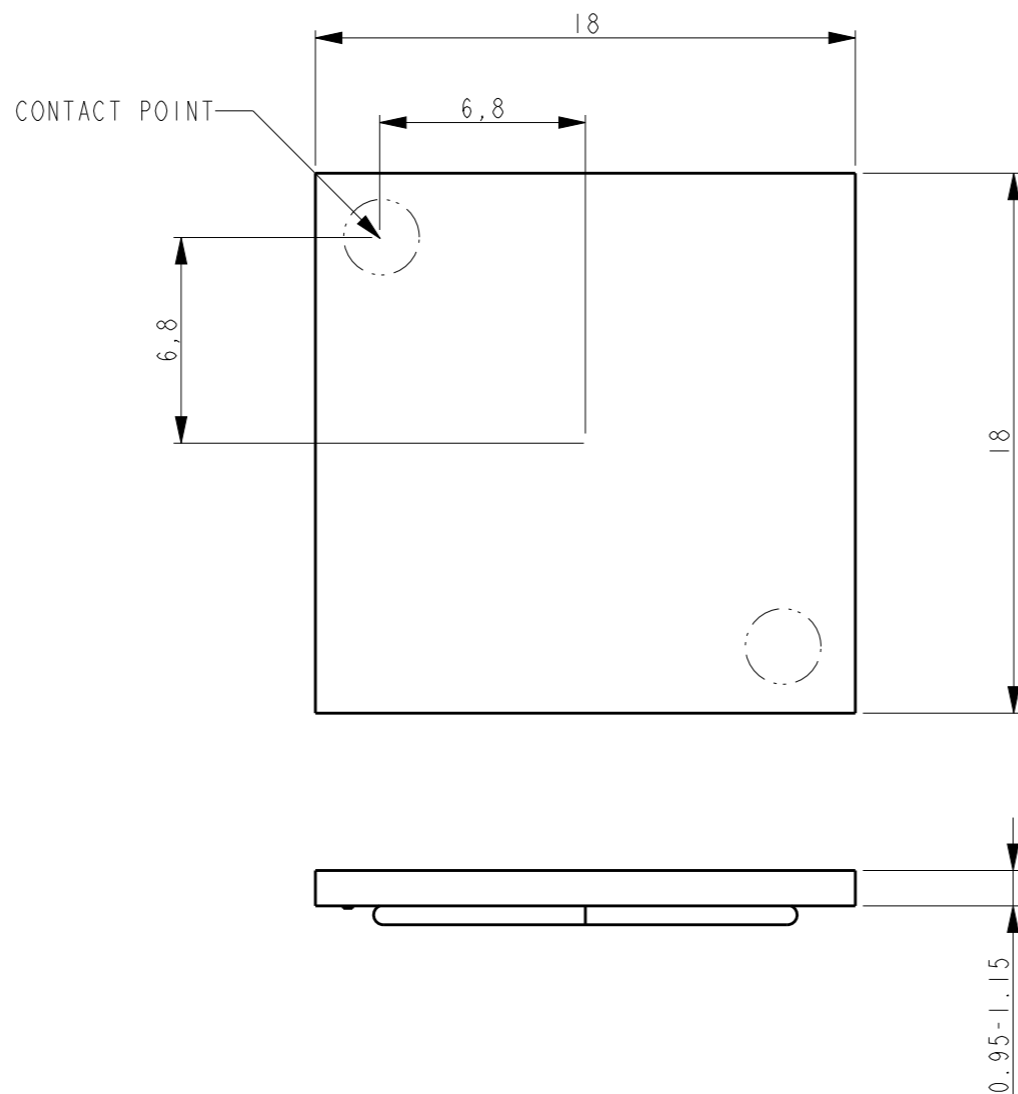
© COPYRIGHT 20 BY -

ALL RIGHTS RESERVED.

REVISIONS

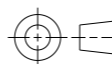
P	LTR	DESCRIPTION	DATE	DWN	APVD
-		SEE SHEET 1	-	-	-

THE SKETCH BELOW IS SHOWING THE NOMINAL LED COB DIMENSIONS TO MATCH WITH THE Z50 LED HOLDER 1818 FOR TECHNICAL DETAILS ABOUT A PROPER MATCH WITH A SPECIFIC LED COB ARRAY PLEASE CONTACT A REPRESENTATIVE AT TE-CONNECTIVITY



THIS DRAWING IS A CONTROLLED DOCUMENT.

DIMENSIONS:
mm



TOLERANCES UNLESS OTHERWISE SPECIFIED:

- 0 PLC ±.
- 1 PLC ±.
- 2 PLC ±.
- 3 PLC ±.
- 4 PLC ±.
- ANGLES ±2°

MATERIAL

-

FINISH

-

DWN 28OCT2013

YASHKUMAR

CHK 28OCT2013

M.V.ESSEN

APVD 29OCT2013

O.I.FLJNSE

PRODUCT SPEC

108-133008

APPLICATION SPEC

114-32048

WEIGHT

-

CUSTOMER DRAWING



TE Connectivity

NAME LUMAWISE LED HOLDER Z50 1818

SIZE CAGE CODE DRAWING NO RESTRICTED TO

A3 - C-2213401

SCALE 2:1 SHEET 3 OF 3 REV D1

X-ON Electronics

Largest Supplier of Electrical and Electronic Components

Click to view similar products for [LED Lighting Mounting Accessories](#) category:

Click to view products by [TE Connectivity](#) manufacturer:

Other Similar products are found below :

[C16142_HEKLA-SOCKET-K](#) [3SU1401-1BG20-1AA0](#) [3SU1900-0BC31-0NB0](#) [ES16-RT](#) [1SFA616921R2042](#) [1SFA616921R2131](#)
[1SFA616921R2133](#) [1SFA616921R2143](#) [1SFA611621R1093](#) [B8910020](#) [D3980022](#) [E3990022](#) [E3990040](#) [CABI12 E BK 1M SET PRM](#)
[FLAT8 H/U BK 1M SET PRM](#) [BEGTIN12 J/S BK 1M SET PRM](#) [1-2213678-6](#) [C16791_CLAMP-Z45-A](#) [F17250_SOLDER-CLIP-A](#) [CM22-](#)
[4-20MA](#) [CM22-R10K-MT](#) [CM22-R1K](#) [CM22-R50K](#) [CM22-R5K-MT](#) [CM22-SLR](#) [10465](#) [M22-A](#) [M22-CK11](#) [M22-CK20](#) [M22G-XGPV](#)
[M22-K01](#) [M22-LCH-W](#) [M22-LC-R](#) [M22-LED230-R](#) [M22-LED230-W](#) [M22-LEDC230-G](#) [M22-LEDC-G](#) [M22-LEDC-W](#) [M22-LED-G](#)
[M22-LED-W](#) [M22-L-G](#) [M22-LH-G](#) [M22-LH-R](#) [M22-LH-W](#) [M22-L-R](#) [M22-L-W](#) [M22-L-X](#) [M22-MS](#) [M22-R10K](#) [M22-R1K](#)