

THIS DRAWING IS UNPUBLISHED.

RELEASED FOR PUBLICATION

20

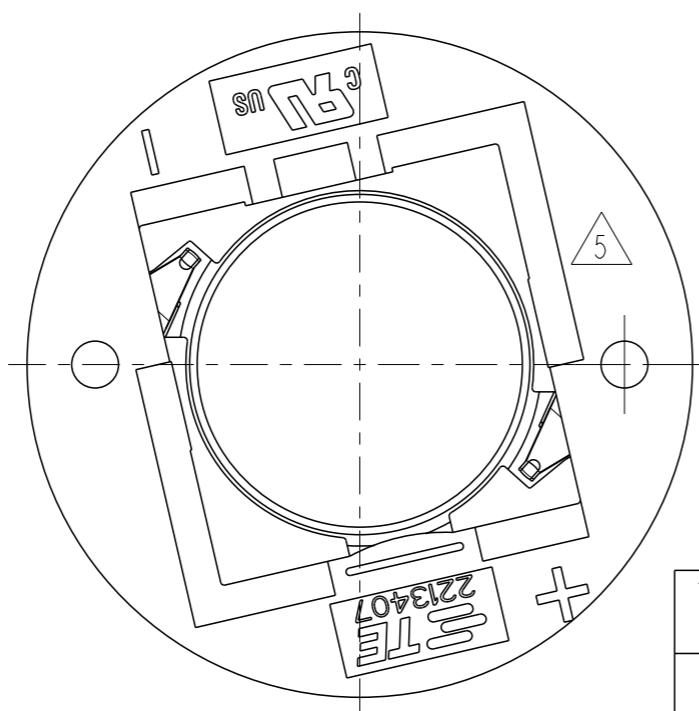
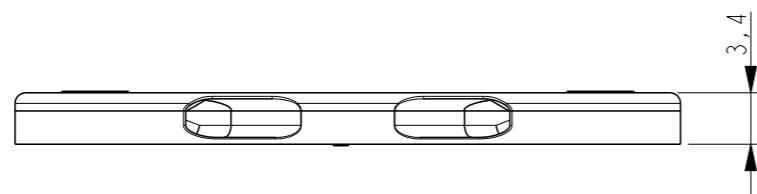
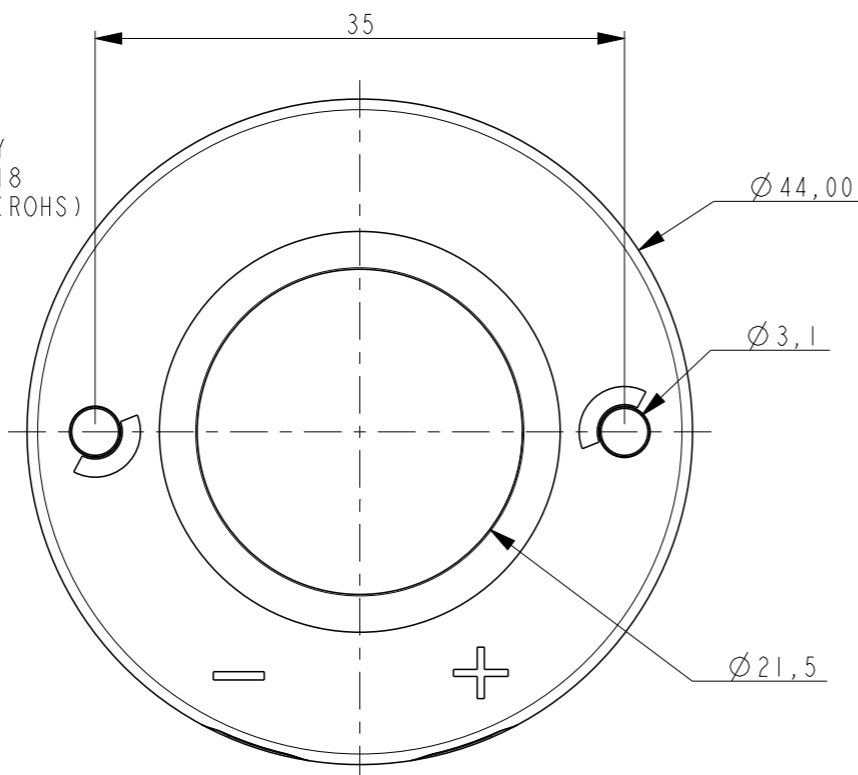
© COPYRIGHT 20 BY -

ALL RIGHTS RESERVED.

NOTES:

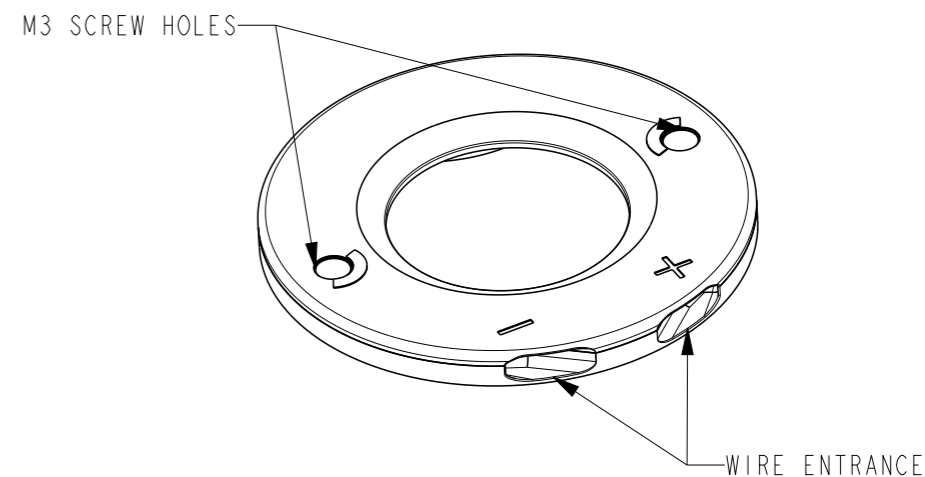
- 1. MATERIALS:
HOUSING: GLASS FILLED PBT
HALOGEN FREE FLAME RETARDANT,
COLOR : NATURAL/WHITE
CONTACTS: SILVER PLATED COPPER ALLOY
- 2. FOR SOLID AND STRANDED WIRE AWG 22-18
- 3. COMPLIES WITH DIRECTIVE 2002/95/EC (ROHS)
- 4. M3 SCREW TO BE USED FOR MOUNTING

- 5. DATE CODE YY-WW-D ANY WHERE EXCEPT OVER LOGO OR +/- SIGN.
- 6. FOR COB-TO-HOLDER CROSS REFERENCE, REFER APPLICATION SPECIFICATION 114-32208

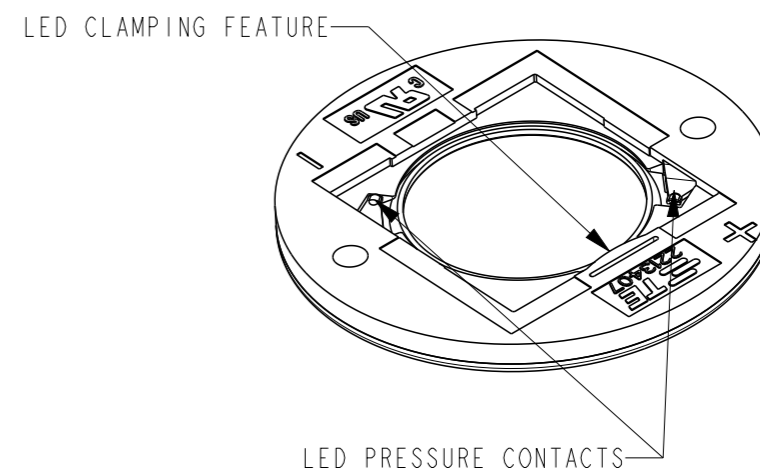


2213407-1 AS SHOWN
LUMAWISE LED HOLDER Z50 LOW PROFILE

REVISIONS					
P	LTR	DESCRIPTION	DATE	DWN	APVD
A2		ECR-16-001206	27JAN2016	KR	MvE
B		ADDED LED TYPES TABLE	03NOV2016	RK	MvE
C		REVISED PER ECR-17-005513	14APR2017	SK	MvE
C1		REVISED PER ECR-19-017764	21NOV2019	SB	DD



SCALE 3:2



LUMAWISE LED HOLDER Z50 STANDARD PROFILE 2424	2213407-2
LUMAWISE LED HOLDER Z50 LOW PROFILE 2424	2213407-1
DESCRIPTION	PART NO

THIS DRAWING IS A CONTROLLED DOCUMENT.

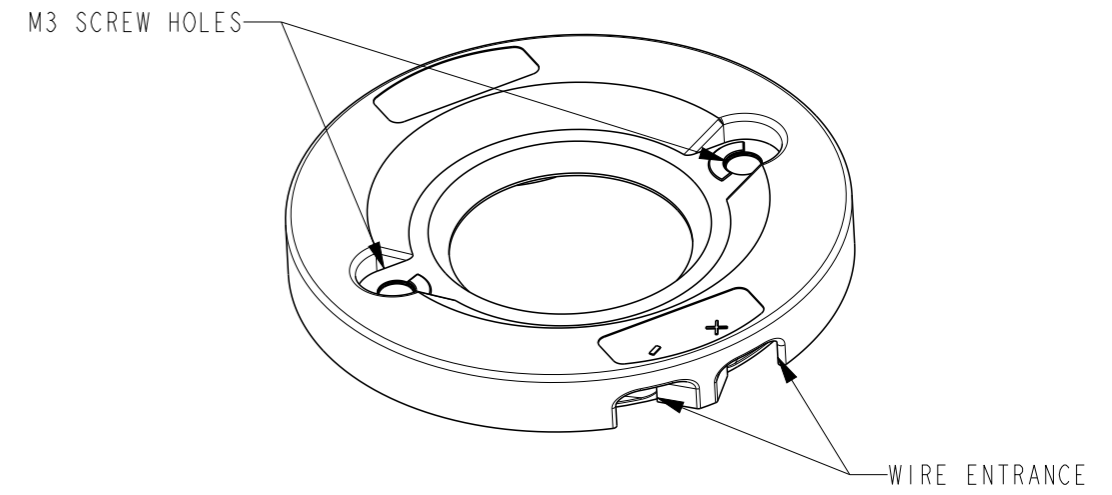
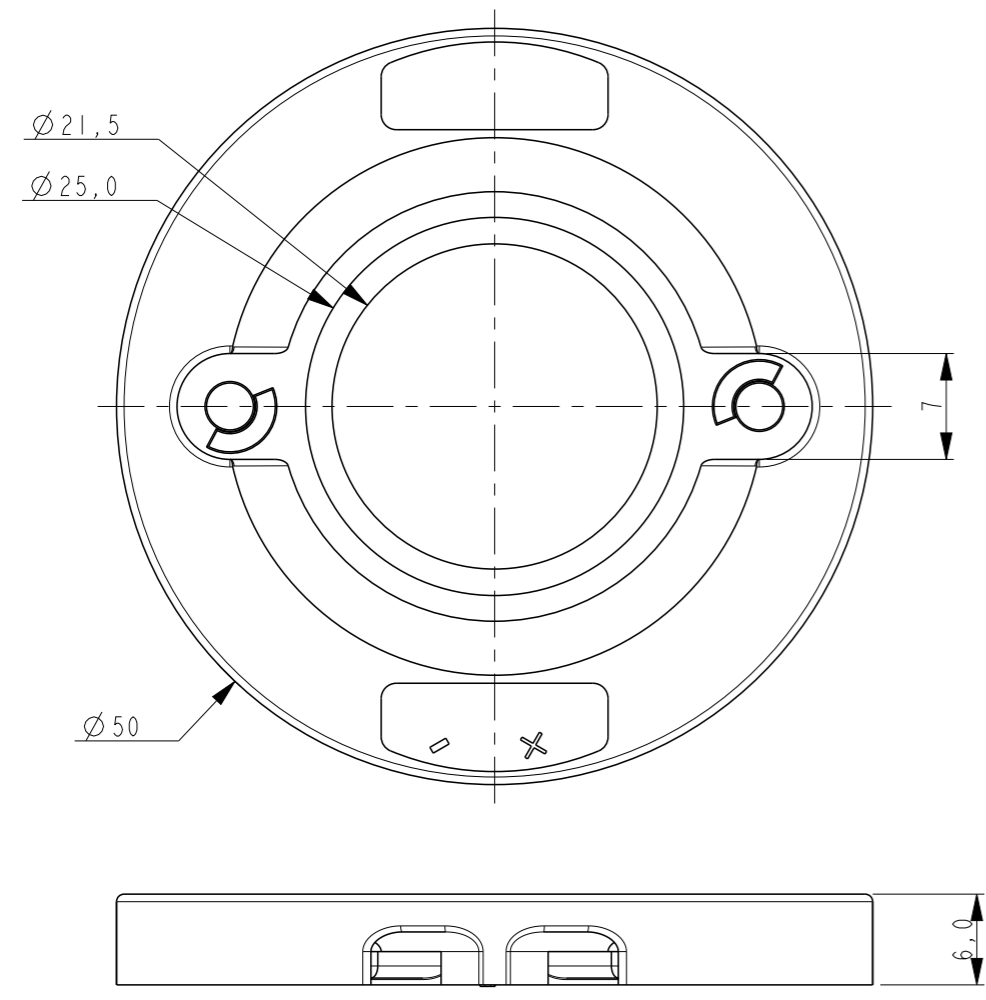
DIMENSIONS: mm	TOLERANCES UNLESS OTHERWISE SPECIFIED:
	0 PLC ±-
	1 PLC ±-
	2 PLC ±-
	3 PLC ±-
	4 PLC ±-
	ANGLES ±-
MATERIAL	FINISH
-	-
-	-

DWN	P. POORTER	18NOV2013
CHK	O. LEIJNSE	19NOV2013
APVD	O. LEIJNSE	-
PRODUCT SPEC	108-133008	
APPLICATION SPEC	114-32048	
WEIGHT	-	
CUSTOMER DRAWING		

STE TE Connectivity			
NAME LUMAWISE LED HOLDER Z50 2424			
SIZE	CAGE CODE	DRAWING NO	RESTRICTED TO
A3	-	C-2213407	-
SCALE 2:1		SHEET 1 OF 3	REV C1

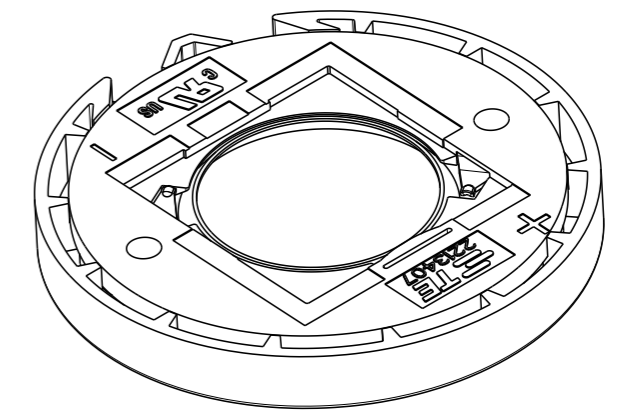
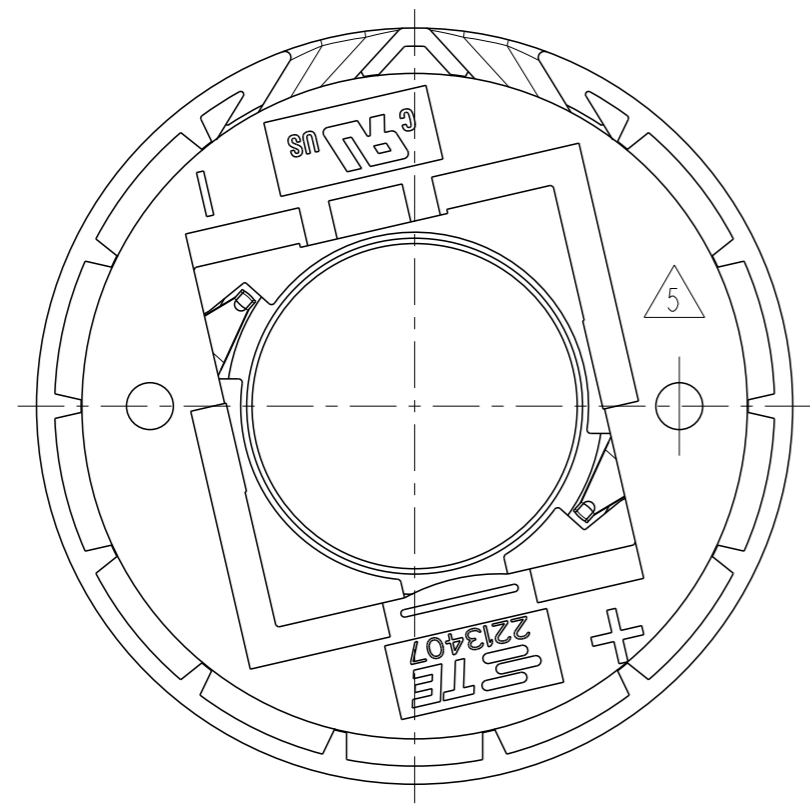
THIS DRAWING IS UNPUBLISHED. RELEASED FOR PUBLICATION 20
 © COPYRIGHT 20 BY - ALL RIGHTS RESERVED.


REVISIONS					
P	LTR	DESCRIPTION	DATE	DWN	APVD
-	-	SEE SHEET 1	-	-	-



SCALE 3:2

2213407-2 AS SHOWN
 LUMAWISE LED HOLDER Z50 STANDARD PROFILE



THIS DRAWING IS A CONTROLLED DOCUMENT.		DWN P. POORTER 18NOV2013	 TE Connectivity		
DIMENSIONS: mm		CHK O. LEIJNSE 19NOV2013			
TOLERANCES UNLESS OTHERWISE SPECIFIED:		APVD O. LEIJNSE	NAME LUMAWISE LED HOLDER Z50 2424		
0 PLC ±-		PRODUCT SPEC 108-133008	SIZE A3	CAGE CODE -	DRAWING NO C-2213407
1 PLC ±-		APPLICATION SPEC 114-32048	RESTRICTED TO -		
2 PLC ±-		WEIGHT -	SCALE 2:1		
3 PLC ±-		CUSTOMER DRAWING	SHEET 2 OF 3		
4 PLC ±-			REV C1		
ANGLES ±-					
FINISH -					
MATERIAL -					

4

3

2

1

THIS DRAWING IS UNPUBLISHED.

RELEASED FOR PUBLICATION

20

© COPYRIGHT 20

BY -

ALL RIGHTS RESERVED.

REVISIONS

P	LTR	DESCRIPTION	DATE	DWN	APVD
	-	SEE SHEET 1	-	-	-

THE SKETCH BELOW IS SHOWING THE NOMINAL LED COB DIMENSIONS TO MATCH WITH THE Z50 LED HOLDER 2424 FOR TECHNICAL DETAILS ABOUT A PROPER MATCH WITH A SPECIFIC LED COB ARRAY PLEASE CONTACT A REPRESENTATIVE AT TE-CONNECTIVITY

SCALE 4:1

THIS DRAWING IS A CONTROLLED DOCUMENT.

DWN P. POORTER 18NOV2013

CHK O. LEIJNSE 19NOV2013

APVD O. LEIJNSE -

PRODUCT SPEC

108-133008

APPLICATION SPEC

114-32048

WEIGHT -

CUSTOMER DRAWING

TE Connectivity

NAME LUMAWISE LED HOLDER Z50 2424

SIZE CAGE CODE DRAWING NO RESTRICTED TO

A3 - C-2213407 -

SCALE 2:1 SHEET 3 OF 3 REV C1

DIMENSIONS:

mm

TOLERANCES UNLESS OTHERWISE SPECIFIED:

0 PLC	±-
1 PLC	±-
2 PLC	±-
3 PLC	±-
4 PLC	±-
ANGLES	±-

MATERIAL

-

FINISH

-

1470-19 (3/13)

X-ON Electronics

Largest Supplier of Electrical and Electronic Components

Click to view similar products for [LED Lighting Mounting Accessories](#) category:

Click to view products by [TE Connectivity](#) manufacturer:

Other Similar products are found below :

[C16142_HEKLA-SOCKET-K](#) [3SU1401-1BG20-1AA0](#) [3SU1900-0BC31-0NB0](#) [ES16-RT](#) [1SFA616921R2042](#) [1SFA616921R2131](#)
[1SFA616921R2133](#) [1SFA616921R2143](#) [1SFA611621R1093](#) [B8910020](#) [D3980022](#) [E3990022](#) [E3990040](#) [CABI12 E BK 1M SET PRM](#)
[FLAT8 H/U BK 1M SET PRM](#) [BEGTIN12 J/S BK 1M SET PRM](#) [1-2213678-6](#) [C16791_CLAMP-Z45-A](#) [F17250_SOLDER-CLIP-A](#) [CM22-](#)
[4-20MA](#) [CM22-R10K-MT](#) [CM22-R1K](#) [CM22-R50K](#) [CM22-R5K-MT](#) [CM22-SLR](#) [10465](#) [M22-A](#) [M22-CK11](#) [M22-CK20](#) [M22G-XGPV](#)
[M22-K01](#) [M22-LCH-W](#) [M22-LC-R](#) [M22-LED230-R](#) [M22-LED230-W](#) [M22-LEDC230-G](#) [M22-LEDC-G](#) [M22-LEDC-W](#) [M22-LED-G](#)
[M22-LED-W](#) [M22-L-G](#) [M22-LH-G](#) [M22-LH-R](#) [M22-LH-W](#) [M22-L-R](#) [M22-L-W](#) [M22-L-X](#) [M22-R10K](#) [M22-R1K](#) [M22-R470K](#)