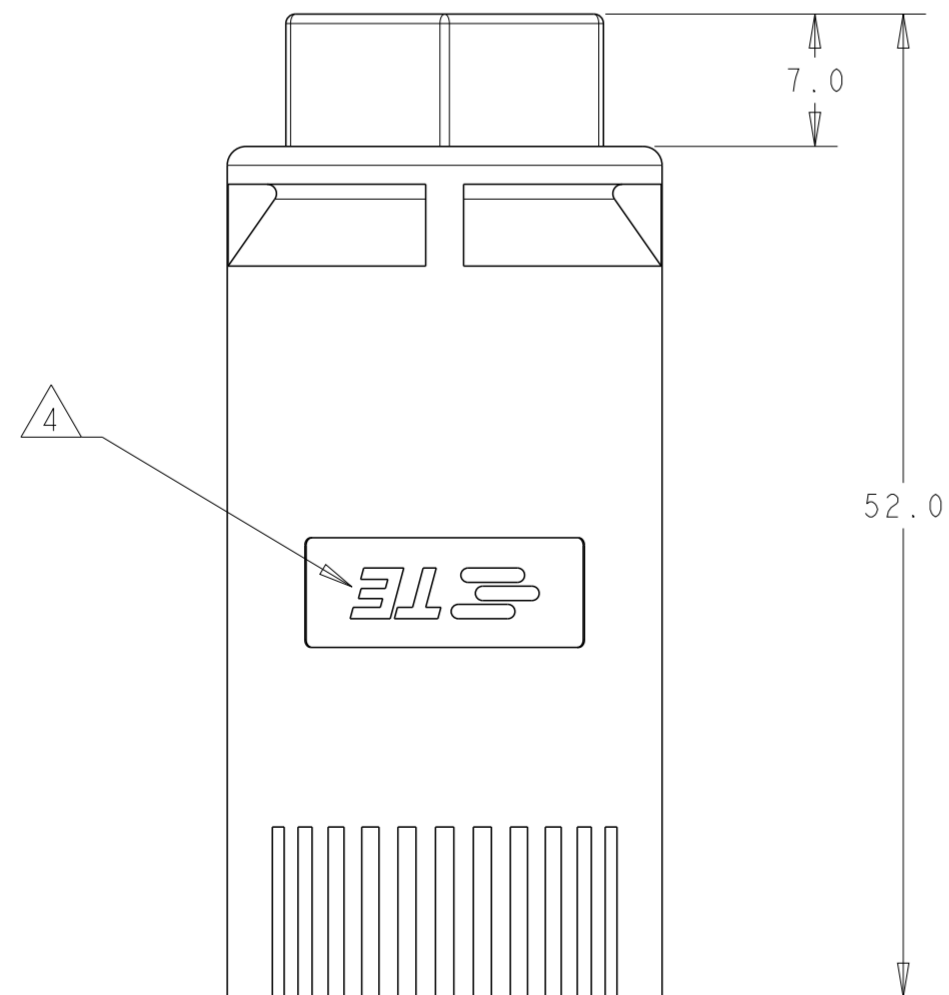
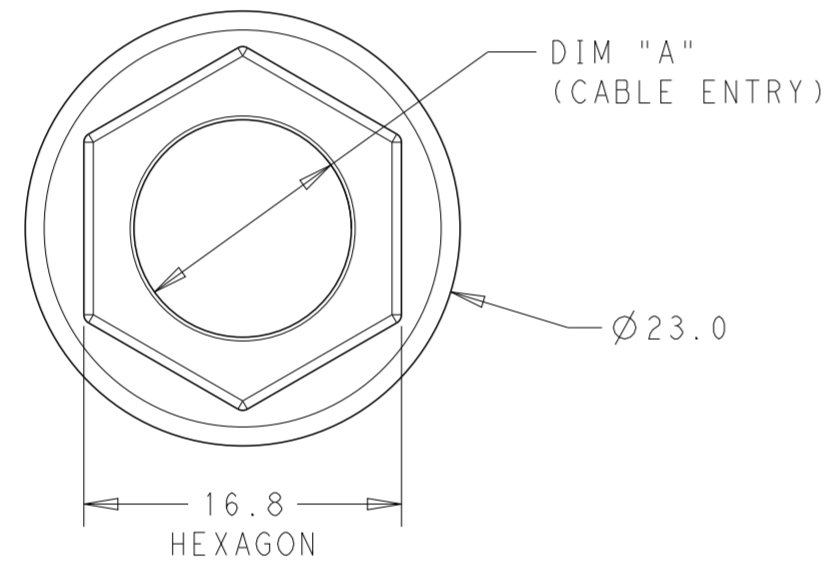
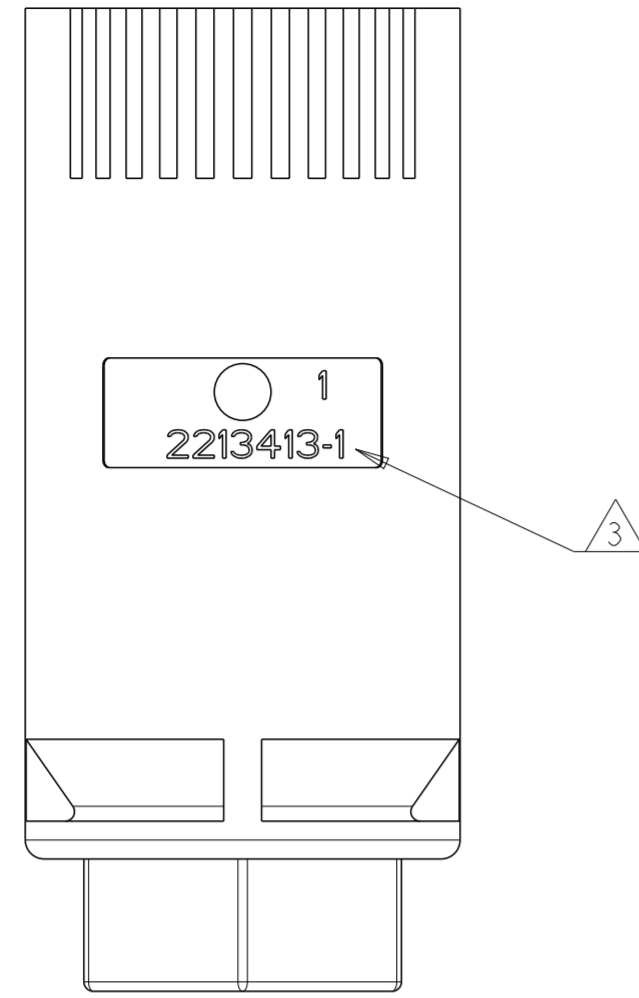


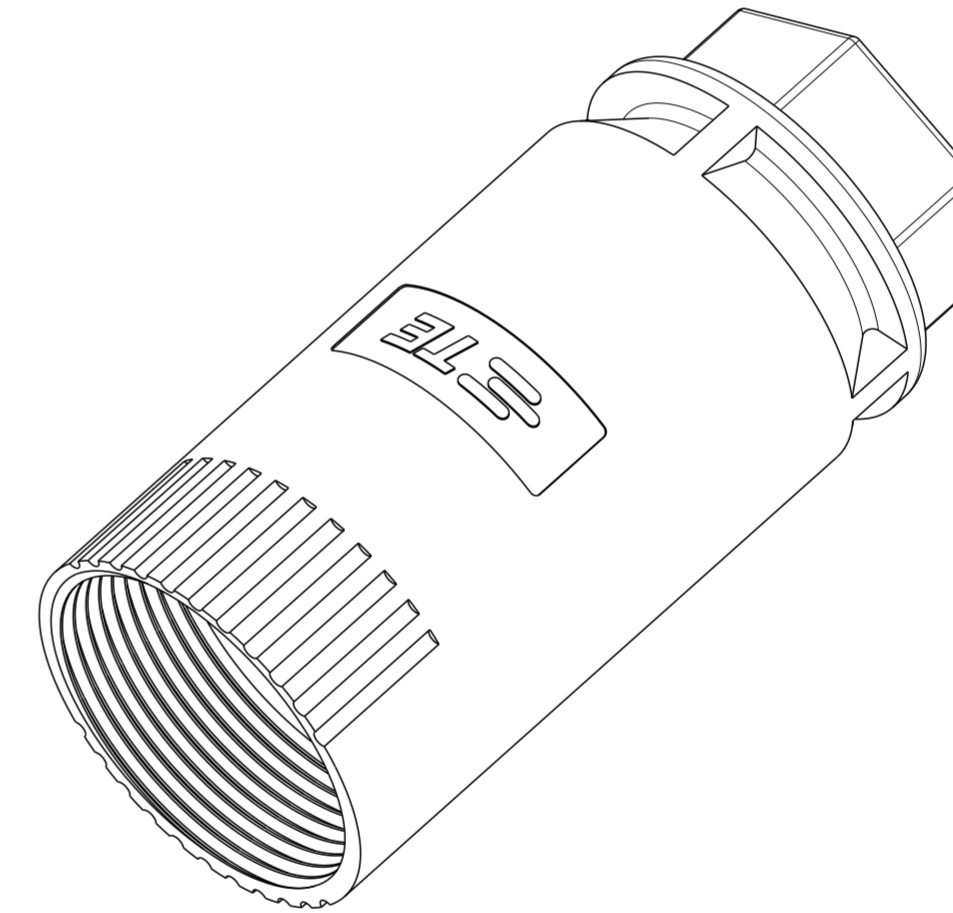
THIS DRAWING IS UNPUBLISHED. RELEASED FOR PUBLICATION 20
 © COPYRIGHT 20 BY - ALL RIGHTS RESERVED.

| REVISIONS | | | | |
|-----------|-----|---------------|-----------|-------|
| P | LTR | DESCRIPTION | DATE | APVD |
| A | | ECR-15-002641 | 17FEB2015 | KR JL |
| | | | | |
| | | | | |



NOTES:

1. MATERIAL: GLASS FILLED PBT, COLOR: BLACK
2. MUST COMPLY WITH DIRECTIVE 2002/95/EC (ROHS)
3. TE PART NUMBER
4. TE LOGO
5. THIS PRODUCT HAS NOT COMPLETED VALIDATION TESTING



| | | |
|-----------------|---------|-----------|
| 11mm - 14mm | 14.5 | 2213413-2 |
| 8mm - 11mm | 11.5 | 2213413-1 |
| CABLE DIA RANGE | DIA "A" | PART NO. |

| | | | | |
|--|------------|----------------------------|--|----------------------|
| THIS DRAWING IS A CONTROLLED DOCUMENT. | | DWN J. SHAFFER 21MAR2014 | STE TE Connectivity | |
| DIMENSIONS: mm | | CHK M. LUKSIC 21MAR2014 | | |
| TOLERANCES UNLESS OTHERWISE SPECIFIED: | | APVD M. LUKSIC 21MAR2014 | NAME RING NUT, 3 POSITION SEALED, NECTOR M | |
| 0 PLC ± | 1 PLC ±0.2 | PRODUCT SPEC 108-133014 | SIZE A2 | |
| 2 PLC ±0.13 | 3 PLC ± | APPLICATION SPEC 114-32111 | CAGE CODE - | DRAWING NO C-2213413 |
| 4 PLC ± | ANGLES ±3° | WEIGHT - | RESTRICTED TO - | |
| MATERIAL TBD | FINISH - | Customer Drawing | SCALE 1:1 | SHEET 1 OF 1 REV A |

X-ON Electronics

Largest Supplier of Electrical and Electronic Components

Click to view similar products for [Lighting Connectors](#) category:

Click to view products by [TE Connectivity](#) manufacturer:

Other Similar products are found below :

[293300-7](#) [293660-5](#) [CNX_H03_NTP](#) [30-9767-BU](#) [3605](#) [3-21030-1](#) [ZCH-110-RGB-I](#) [503471-0290](#) [ZCH-110-RGB-J](#) [217-0716-200](#)
[1954563-1](#) [1-293657-2](#) [2834036-1](#) [2834037-1](#) [1-2213222-4](#) [2-2213222-4](#) [2213222-4](#) [2834122-3](#) [2834122-5](#) [2834135-2](#) [FLA-R4142-30](#)
[FLA-R4162-30](#) [FLA-R2142-30](#) [FLA-R2141-30](#) [FLA-R2162-30](#) [FLA-R2161-30](#) [FLA-R0161-30](#) [FLA-R0141-30](#) [FLA-R0142-30](#) [FLA-](#)
[R0162-30](#) [FLA-C00-00](#) [DGA00010553](#) [CNXV04NTP](#) [104128-0610](#) [503485-0000 \(Cut Strip\)](#) [503485-0000 \(Loose Piece\)](#) [503485-0000](#)
[\(MINI Reel\)](#) [1-2834074-2](#) [1-2834074-3](#) [1357-AC PLUG W2C \(CHINA\)](#) [1357-AC PLUG W2 \(USA\)](#) [104266-0110](#) [2106212-1](#) [2-2834074-2](#)
[104266-0210](#) [293470-1](#) [293651-2](#) [293651-4](#) [1-2834006-2](#) [293651-1](#)