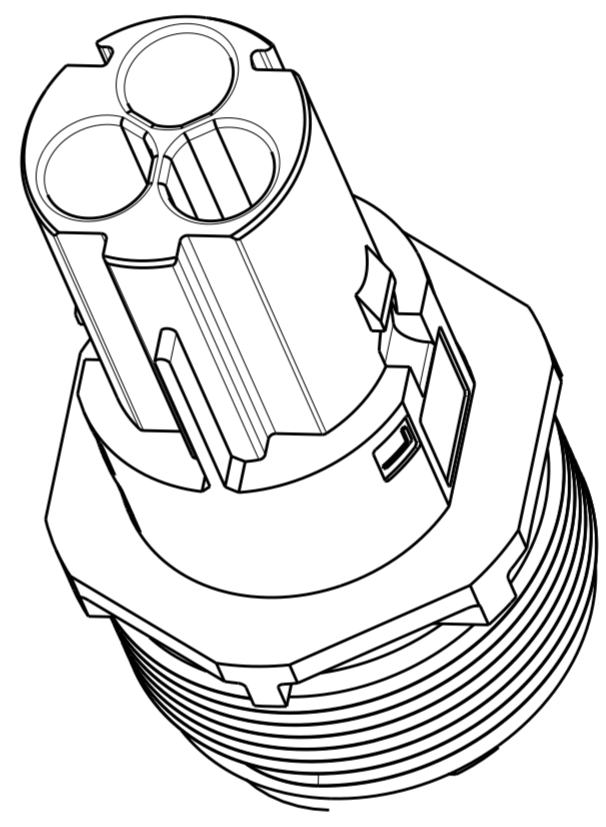
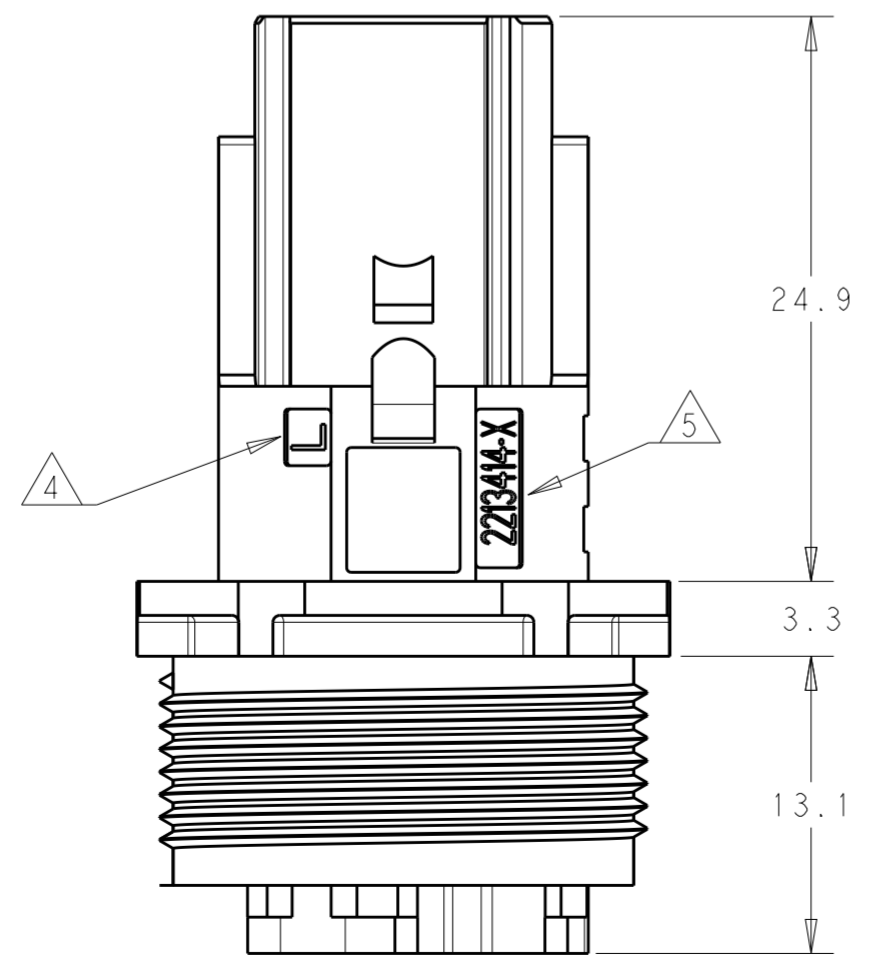
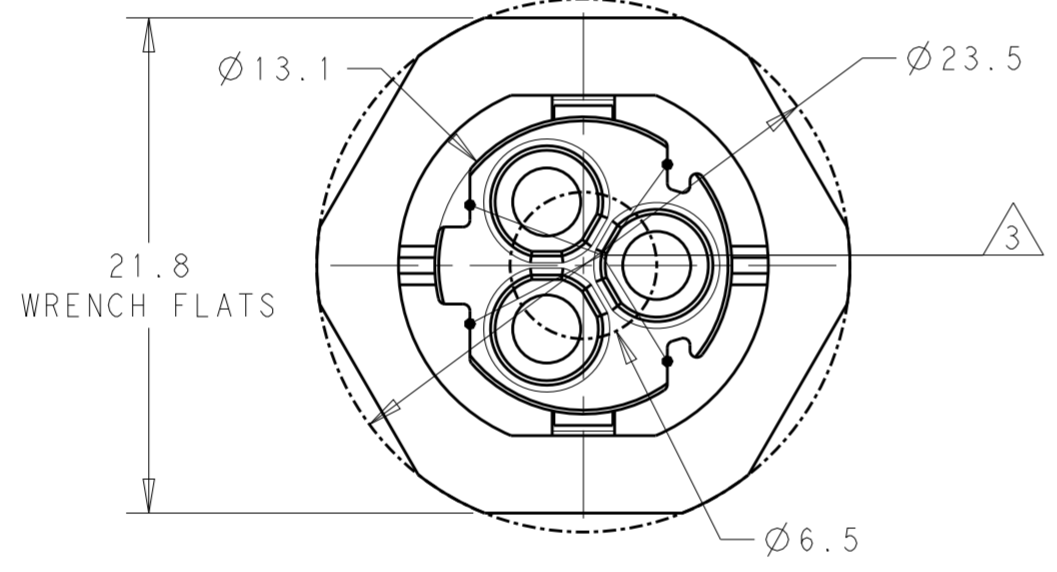
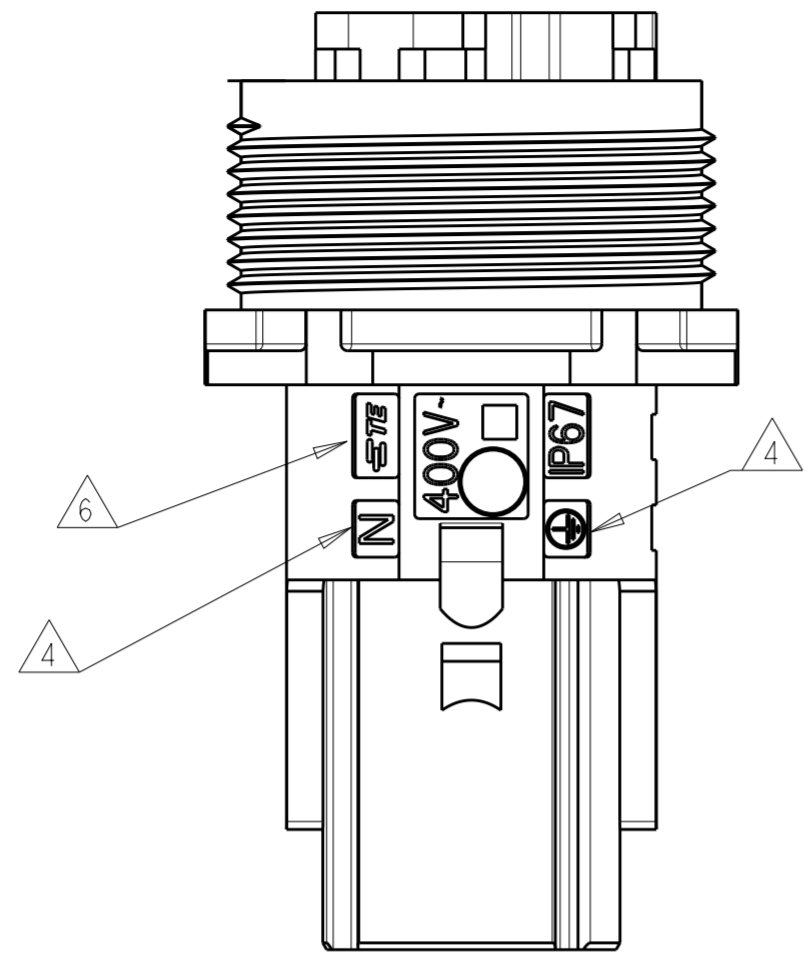


THIS DRAWING IS UNPUBLISHED. RELEASED FOR PUBLICATION 20
 © COPYRIGHT 20 BY - ALL RIGHTS RESERVED.

REVISIONS					
P	LTR	DESCRIPTION	DATE	DWN	APVD
	A	REVISED AS PER ECR-15-005925	21APR2015	RS	JL
	A1	REVISED AS PER ECR-15-012095	20AUG2015	RS	JL
	A2	REVISED PER ECR-18-006945	29MAY2018	NG	MZ



NOTES:

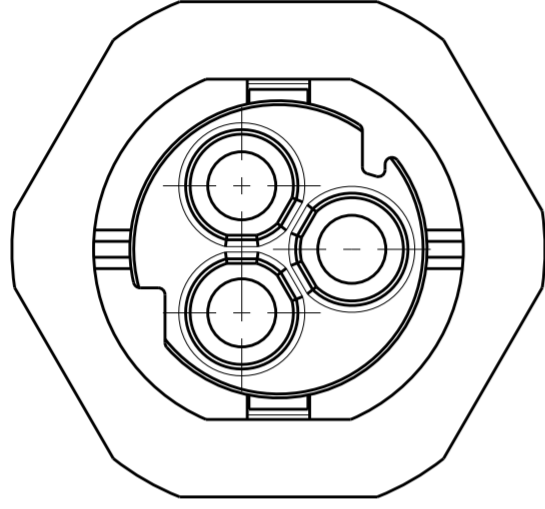
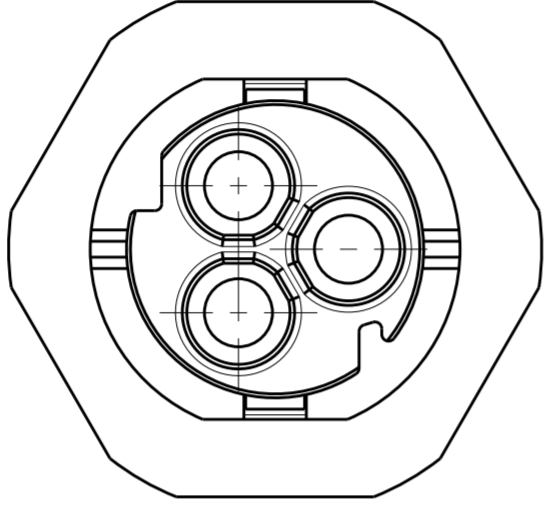
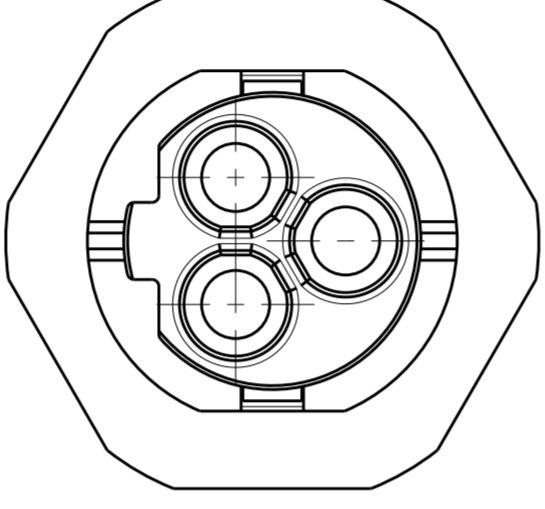
1. MATERIAL: GLASS FILLED PBT, COLOR: BLACK
2. MUST COMPLY WITH DIRECTIVE 2002/95/EC (ROHS)
3. ALL POLARIZATION KEYS SHOWN FOR REF ONLY.
4. CIRCUIT I.D.
5. TE PART NUMBER
6. TE LOGO
7. THIS PRODUCT HAS NOT COMPLETED VALIDATION TESTING


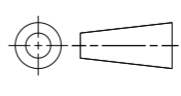
OBSOLETE	C	FREE HANGING PIN HOUSING SEALED NECTOR M 3 POSN	2213414-3
	B	FREE HANGING PIN HOUSING SEALED NECTOR M 3 POSN	2213414-2
	A	FREE HANGING PIN HOUSING SEALED NECTOR M 3 POSN	2213414-1
	POLAZATION TYPE	DESCRIPTION	P/N

THIS DRAWING IS A CONTROLLED DOCUMENT.		DWN RAVI.S 16OCT2013	STE TE Connectivity	
DIMENSIONS: mm		CHK L.MAREK 16OCT2013		
TOLERANCES UNLESS OTHERWISE SPECIFIED:		APVD J.MAREK 16OCT2013	NAME HOUSING, PIN, FREE-HANGING NECTOR M-LINE; 3 POLE	
0 PLC ±	1 PLC ±0.2	PRODUCT SPEC 108-133014	SIZE A2	
2 PLC ±0.13	3 PLC ±	APPLICATION SPEC 114-32111	CAGE CODE -	DRAWING NO. C-2213414
4 PLC ±	ANGLES ±3°	WEIGHT -	RESTRICTED TO -	SCALE 4:1
MATERIAL -	FINISH -	CUSTOMER DRAWING	SHEET 1 OF 2	REV A2

THIS DRAWING IS UNPUBLISHED. RELEASED FOR PUBLICATION 20
 © COPYRIGHT 20 BY - ALL RIGHTS RESERVED.

REVISIONS				
P	LTR	DESCRIPTION	DATE	APVD
-		SEE SHEET 1	-	-

POLARIZATION TYPES		
POLARIZATION TYPE "A"	POLARIZATION TYPE "B"	POLARIZATION TYPE "C"
		
PN 2213414-1	PN 2213414-2	PN 2213414-3

THIS DRAWING IS A CONTROLLED DOCUMENT.		DWN RAVI.S 16OCT2013	 TE Connectivity			
DIMENSIONS:		CHK L.MAREK 16OCT2013				
TOLERANCES UNLESS OTHERWISE SPECIFIED:		APVD L.MAREK 16OCT2013				
mm		PRODUCT SPEC 108-133014				
		APPLICATION SPEC 114-32111	NAME HOUSING, PIN, FREE-HANGING NECTOR M-LINE; 3 POLE			
MATERIAL	FINISH	WEIGHT	SIZE A2	CAGE CODE -	DRAWING NO. C-2213414	RESTRICTED TO -
-	-	-	SCALE 3:1		SHEET 2 OF 2	REV A2
CUSTOMER DRAWING						

X-ON Electronics

Largest Supplier of Electrical and Electronic Components

Click to view similar products for [Lighting Connectors](#) category:

Click to view products by [TE Connectivity](#) manufacturer:

Other Similar products are found below :

[21061-9](#) [293300-7](#) [2106117-2](#) [293660-5](#) [293700-2](#) [CNX_H03_NTP](#) [30-9767-BU](#) [3-21030-1](#) [ZCH-110-RGB-I](#) [503471-0290](#) [ES5P09K4F2](#)
[CNXH02NTP](#) [ZCH-110-RGB-J](#) [217-0716-200](#) [192992-0057](#) [1954563-1](#) [217-3030-000](#) [217-3032-000](#) [237-0734-003](#) [1-2213614-2](#) [2834049-](#)
[3](#) [ES9S002SZZ](#) [2834049-2](#) [2-2834067-3](#) [1-293657-2](#) [2834049-1](#) [1-2213614-3](#) [2834036-1](#) [2834037-1](#) [2213614-3](#) [2307526-2](#) [2-2106124-3](#)
[2-2834068-3](#) [FLS2SC4001BP](#) [FLSC80352000](#) [FLSC80354000](#) [FLSC80353000](#) [FLSSB8002](#) [FLSSB8001](#) [FLSC80351000](#) [FLSC80355000](#)
[FLSSB4001](#) [FLSC80504000](#) [FLSC80502000](#) [FLSC80501000](#) [FLSSR4001](#) [FLSC80505000](#) [FLSC80503000](#) [FLA-R4142-30](#) [FLA-R4141-30](#)