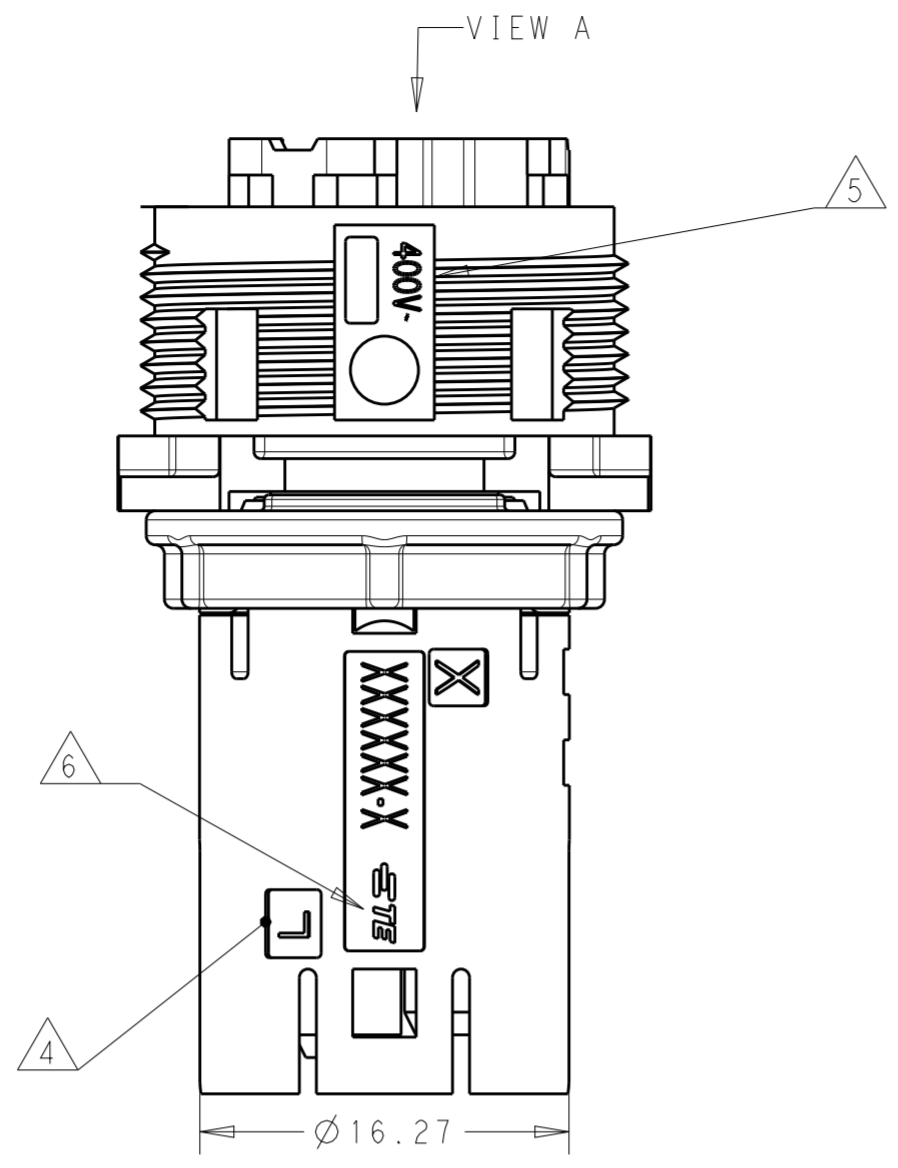
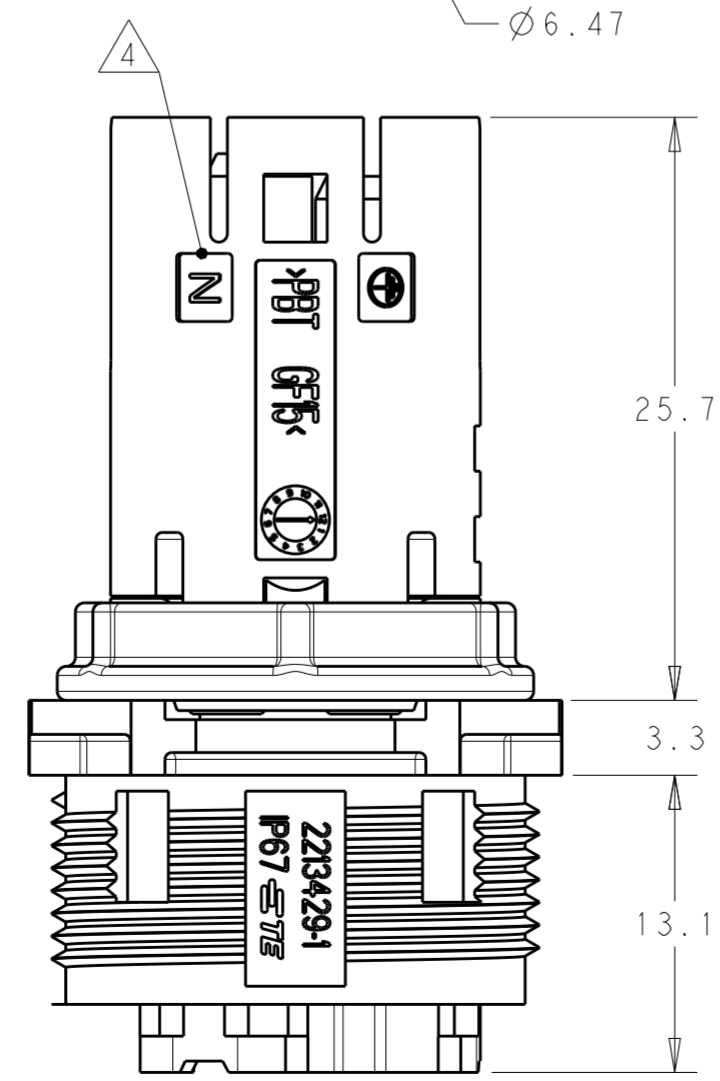
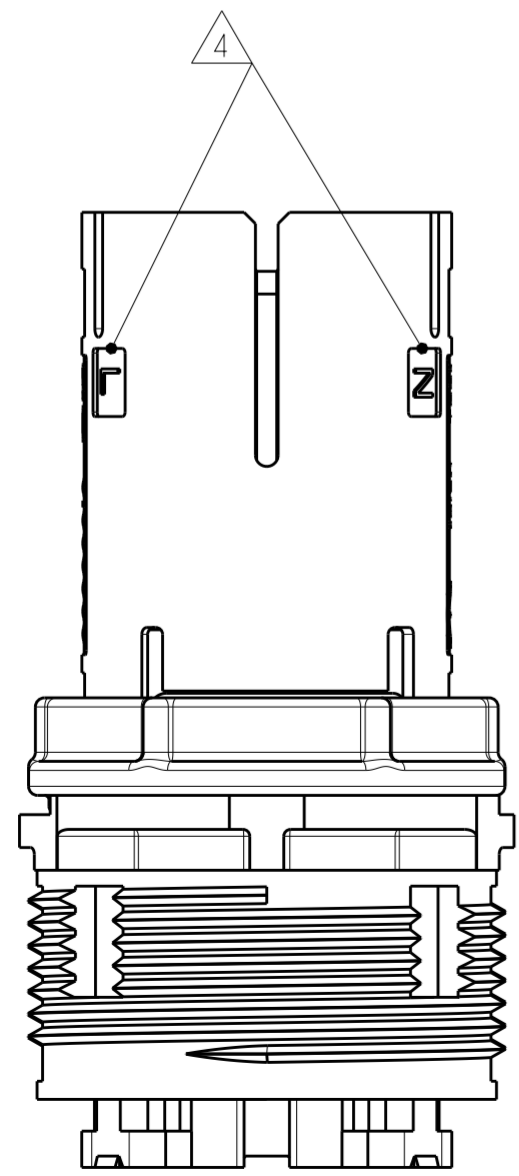
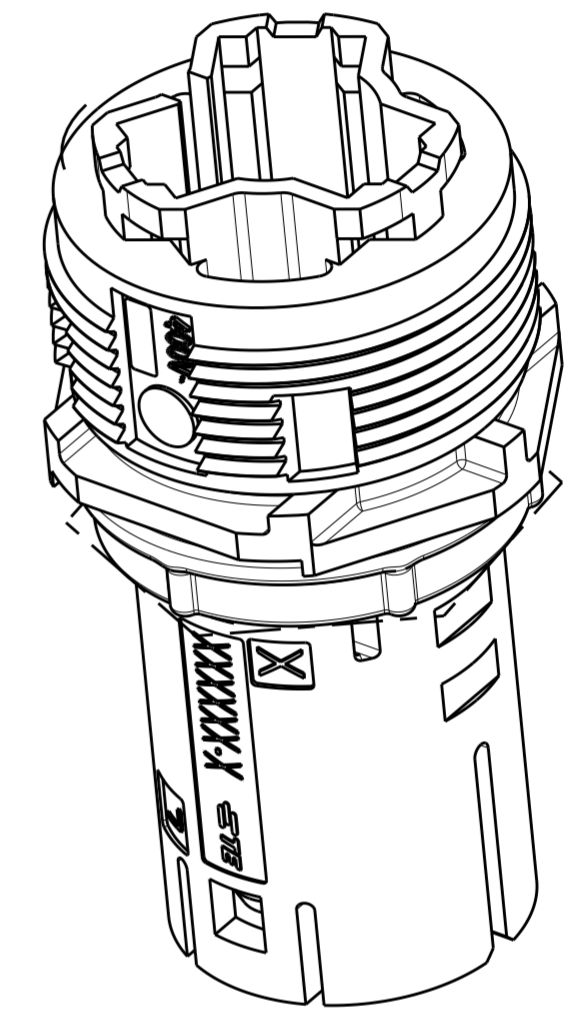
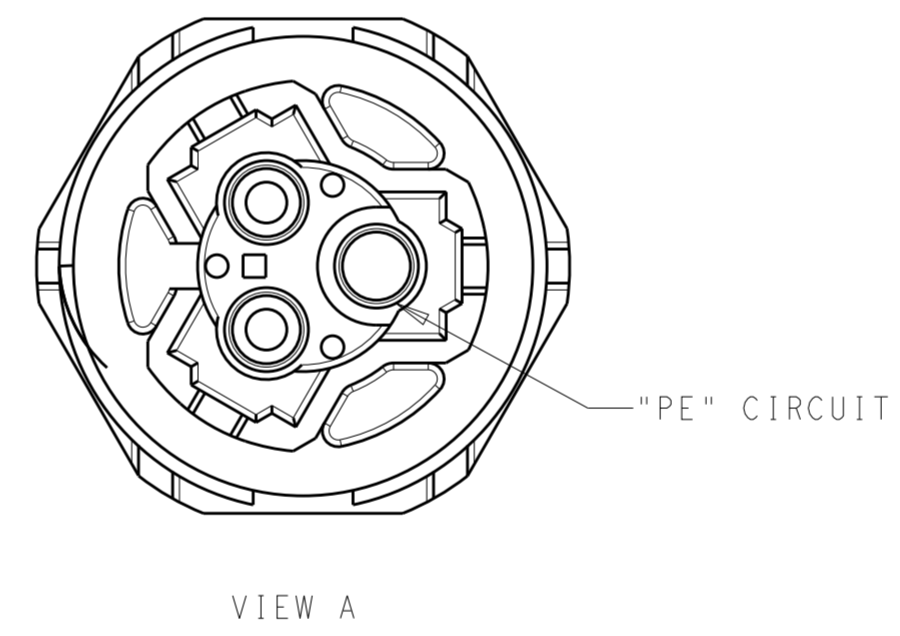
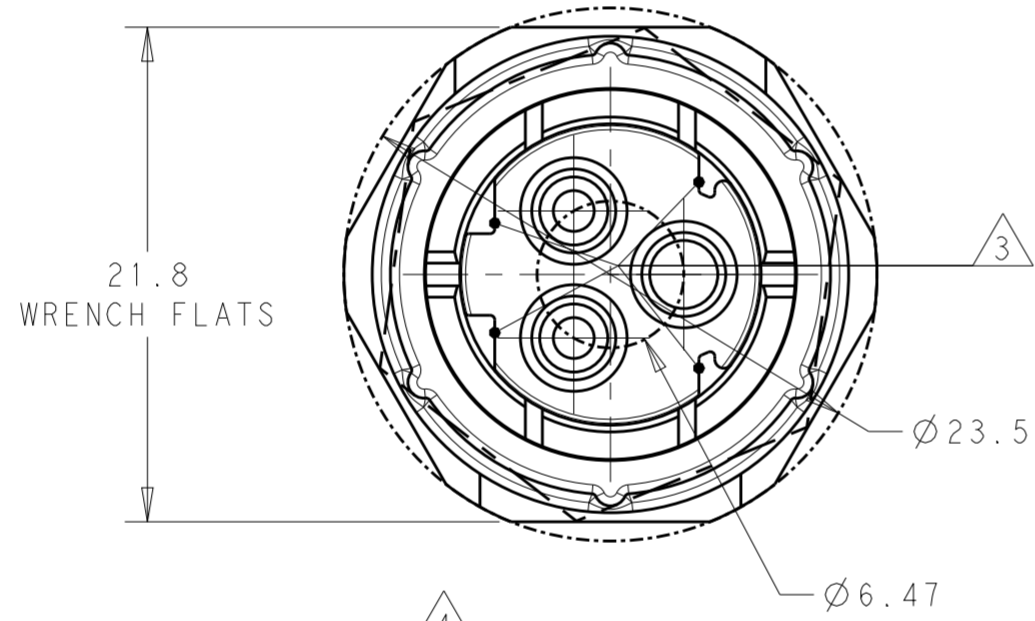


THIS DRAWING IS UNPUBLISHED. RELEASED FOR PUBLICATION 20  
 © COPYRIGHT 20 BY - ALL RIGHTS RESERVED.

REVISIONS					
P	LTR	DESCRIPTION	DATE	DWN	APVD
	A1	REVISED PER REVISED PER ECR-18-006945	27JUN2018	NG	MZ



- NOTES:
1. MATERIAL: GLASS FILLED PBT, COLOR: BLACK
  2. MUST COMPLY WITH DIRECTIVE 2002/95/EC (ROHS)
  3. ALL POLARIZATION KEYS SHOWN FOR REF ONLY.
  4. CIRCUIT I.D.
  5. VOLTAGE RATING
  6. TE LOGO
  7. THIS PRODUCT HAS NOT COMPLETED VALIDATION TESTING

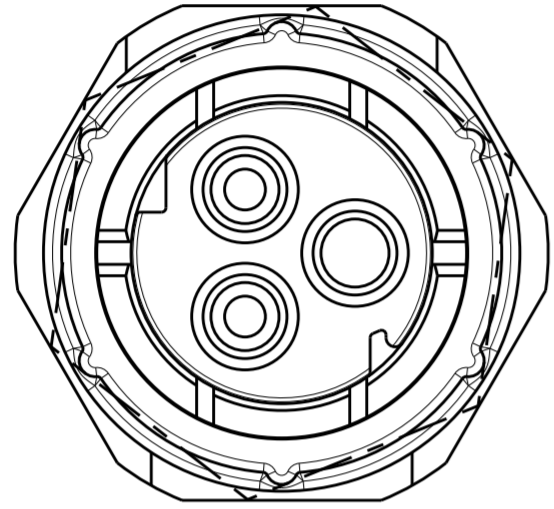
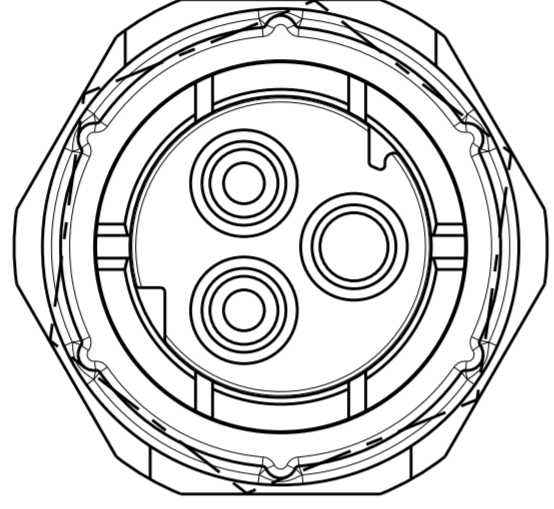
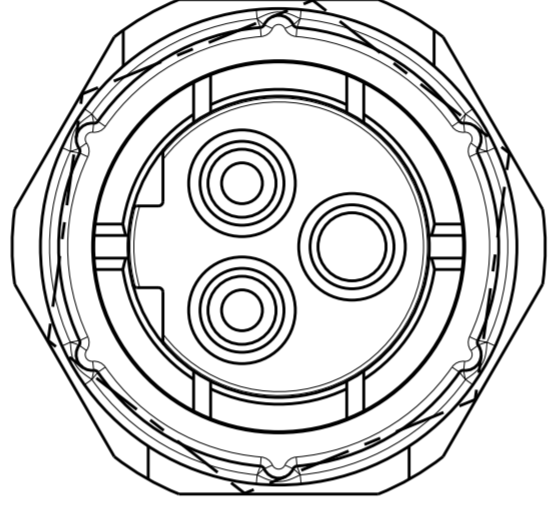



OBSOLETE	C	FREE HANGING SOCKET SEALED NECTOR 3 POSITION	2213428-3
	B	FREE HANGING SOCKET SEALED NECTOR 3 POSITION	2213428-2
	A	FREE HANGING SOCKET SEALED NECTOR 3 POSITION	2213428-1
	POLARIZATION TYPE	DESCRIPTION	PART NUMBER

DIMENSIONS:		TOLERANCES UNLESS OTHERWISE SPECIFIED:		DWN		CHK		APVD		NAME	
mm	0 PLC	±	±0.2	J. SHAFFER	24MAR2014	M. LUKSIC	24MAR2014	M. LUKSIC	24MAR2014	TE Connectivity	
	1 PLC	±	±0.13	PRODUCT SPEC		108-133014		APPLICATION SPEC		FREE HANGING, SOCKET SEALED NECTOR M 3 POSN	
	2 PLC	±	±	WEIGHT		114-32111		RESTRICTED TO		-	
	3 PLC	±	±	MATERIAL		TBD		SCALE		2:1	
	4 PLC	±	±3°	FINISH		-		SHEET		1 OF 2	
	ANGLES	±	±3°	Customer Drawing		-		REV		A1	

THIS DRAWING IS UNPUBLISHED. RELEASED FOR PUBLICATION 20  
 © COPYRIGHT 20 BY - ALL RIGHTS RESERVED.

REVISIONS				
P	LTR	DESCRIPTION	DATE	APVD
-		SEE SHEET 1	-	-

POLARIZATION TYPES		
POLARIZATION TYPE "A"	POLARIZATION TYPE "B"	POLARIZATION TYPE "C"
		
PN 2213428-1	<del>PN 2213428-2</del>	<del>PN 2213428-3</del>

THIS DRAWING IS A CONTROLLED DOCUMENT.		DWN J. SHAFFER 24MAR2014	 TE Connectivity	
DIMENSIONS: mm		CHK M. LUKSIC 24MAR2014		
TOLERANCES UNLESS OTHERWISE SPECIFIED: 0 PLC ± 1 PLC ±0.2 2 PLC ±0.13 3 PLC ± 4 PLC ± ANGLES ±3° FINISH -		APVD M. LUKSIC 24MAR2014	NAME FREE HANGING, SOCKET SEALED NECTOR M 3 POSN	
MATERIAL TBD		PRODUCT SPEC 108-133014	SIZE A2	CAGE CODE -
		APPLICATION SPEC 114-32111	DRAWING NO G-2213428	RESTRICTED TO -
		WEIGHT -	SCALE 2:1	SHEET 2 OF 2
		Customer Drawing	REV A1	

## X-ON Electronics

Largest Supplier of Electrical and Electronic Components

*Click to view similar products for [Lighting Connectors](#) category:*

*Click to view products by [TE Connectivity](#) manufacturer:*

Other Similar products are found below :

[293300-7](#) [293660-5](#) [CNX\\_H03\\_NTP](#) [30-9767-BU](#) [3605](#) [3-21030-1](#) [ZCH-110-RGB-I](#) [503471-0290](#) [ZCH-110-RGB-J](#) [217-0716-200](#)  
[1954563-1](#) [1-293657-2](#) [2834036-1](#) [2834037-1](#) [1-2213222-4](#) [2-2213222-4](#) [2213222-4](#) [2834122-3](#) [2834122-5](#) [2834135-2](#) [FLA-R4142-30](#)  
[FLA-R4162-30](#) [FLA-R2142-30](#) [FLA-R2141-30](#) [FLA-R2162-30](#) [FLA-R2161-30](#) [FLA-R0161-30](#) [FLA-R0141-30](#) [FLA-R0142-30](#) [FLA-](#)  
[R0162-30](#) [FLA-C00-00](#) [DGA00010553](#) [CNXV04NTP](#) [104128-0610](#) [503485-0000 \(Cut Strip\)](#) [503485-0000 \(Loose Piece\)](#) [503485-0000](#)  
[\(MINI Reel\)](#) [1-2834074-2](#) [1-2834074-3](#) [1357-AC PLUG W2C \(CHINA\)](#) [1357-AC PLUG W2 \(USA\)](#) [104266-0110](#) [2106212-1](#) [2-2834074-2](#)  
[104266-0210](#) [293470-1](#) [293651-2](#) [293651-4](#) [1-2834006-2](#) [293651-1](#)