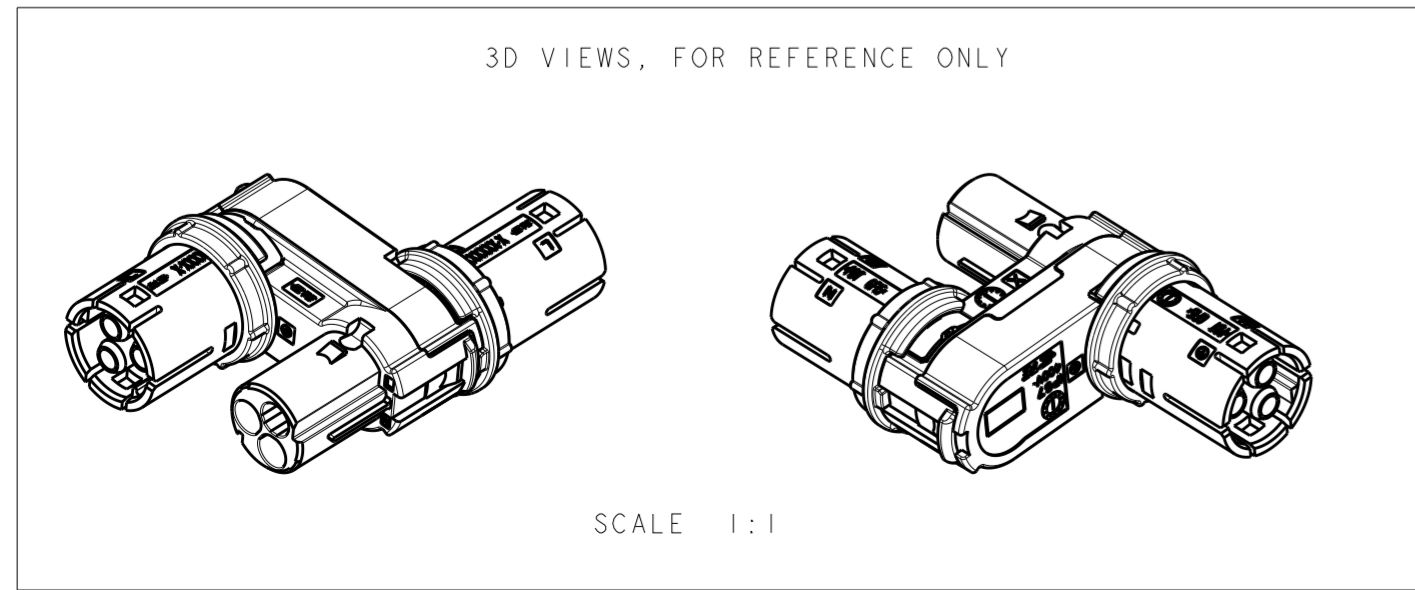
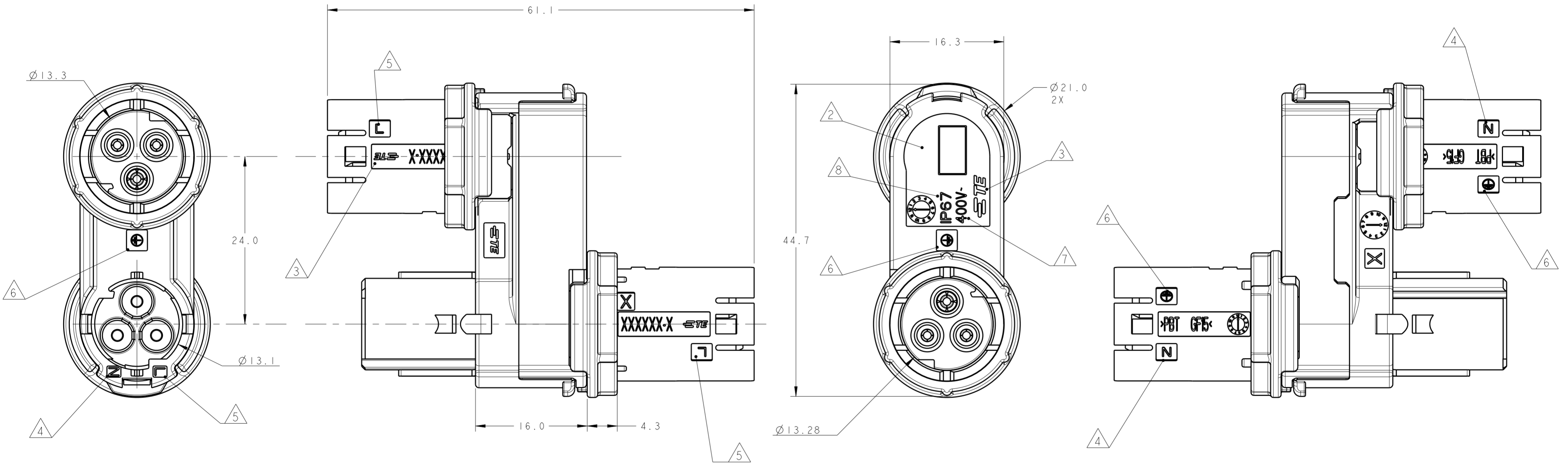


THIS DRAWING IS UNPUBLISHED. RELEASED FOR PUBLICATION 20
 © COPYRIGHT 20 BY - ALL RIGHTS RESERVED.

LOC		DIST		REVISIONS			
P	LTR	DESCRIPTION	DATE	DWN	APVD		
A		REVISED PER ECR-15-008877	17JUN2015	RS	JL		
B		REVISED PER ECR-15-011756	12AUG2015	RS	JL		
BI		REVISED PER ECR-18-006945	29MAY2018	NG	MZ		

NOTES:

- 1 MATERIAL:
HOUSING: GF PBT, COLOR: BLACK
CONTACTS: COPPER ALLOY, FINISH: Sn OVER Ni.
- 2 IP CODE
- 3 TE LOGO
- 4 N CODE
- 5 L CODE
- 6 PE CODE
- 7 RATED VOLTAGE
- 8 AREA FOR AGENCY APPROVAL LOGO

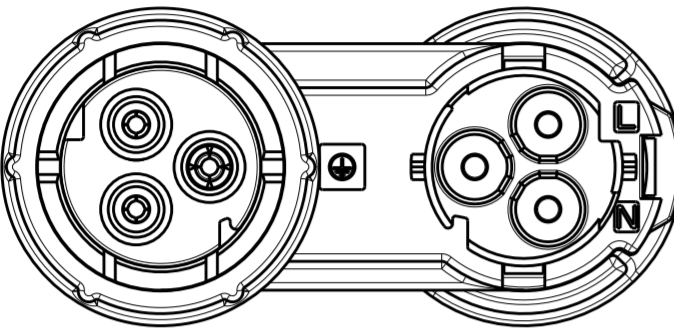
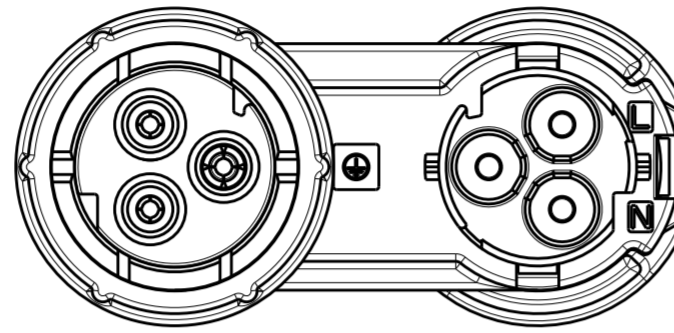
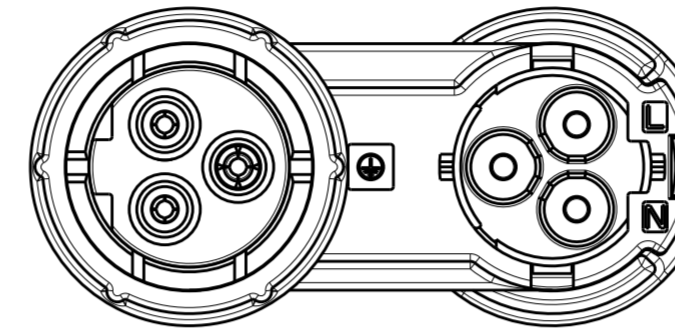
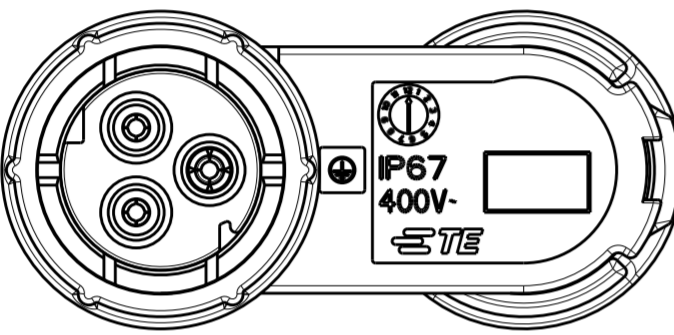
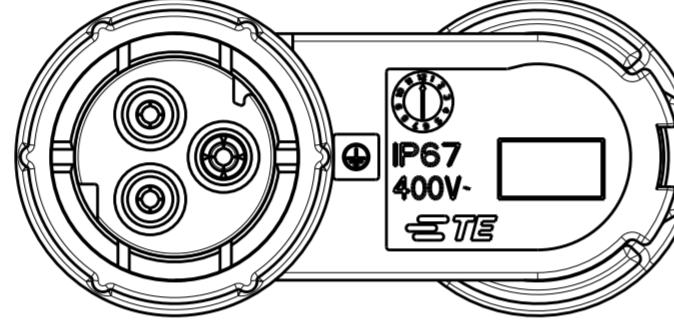
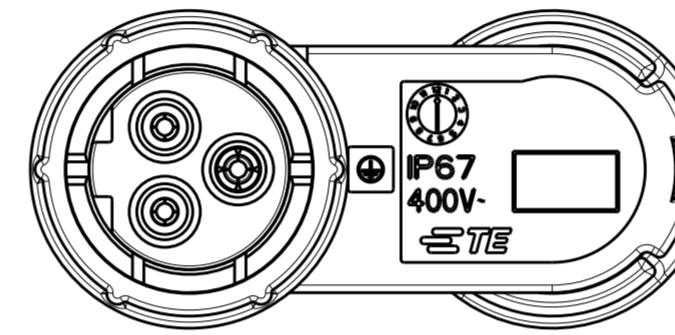





THIS DRAWING IS A CONTROLLED DOCUMENT.		DWN C. DAILY 24FEB2014	TE Connectivity	
		CHK M. STOLLER 24FEB2014		
DIMENSIONS:		APVD	NAME	
mm		-	T-SPLITTER, NECTOR M, 3 POSN, SEALED	
TOLERANCES UNLESS OTHERWISE SPECIFIED:		PRODUCT SPEC	-	
0 PLC ±		108-133014	-	
1 PLC ±0.3		APPLICATION SPEC	-	
2 PLC ±0.20		114-32111	SIZE	CAGE CODE
3 PLC ±		WEIGHT	A2	-
4 PLC ±		Customer Drawing	DRAWING NO	RESTRICTED TO
ANGLES ±3°			G-2213434	-
FINISH			SCALE	SHEET
1			5:2	1 OF 2
				REV B1


THIS DRAWING IS UNPUBLISHED. RELEASED FOR PUBLICATION 20
 © COPYRIGHT 20 BY - ALL RIGHTS RESERVED.

LOC		DIST		REVISIONS			
P	LTR	DESCRIPTION	DATE	DWN	APVD		
-	-	SEE SHEET 1	-	-	-		

POLARIZATION KEYS

TYPE "A"	TYPE "B"	TYPE "C"
		
		
P/N 2213434-1	P/N 2213434-2	P/N 2213434-3

OBSOLETE		T-SPLITTER CONNECTOR SEALED VERS. NECTOR M, 3 POSITION	C	2213434-3
		T-SPLITTER CONNECTOR SEALED VERS. NECTOR M, 3 POSITION	B	2213434-2
		T-SPLITTER CONNECTOR SEALED VERS. NECTOR M, 3 POSITION	A	2213434-1
NOTE		DESCRIPTION	POL. KEYS	PART NUMBER

THIS DRAWING IS A CONTROLLED DOCUMENT.		DWN C. DAILY 24FEB2014	 TE Connectivity	
		CHK M. STOLLER 24FEB2014		
DIMENSIONS:	TOLERANCES UNLESS OTHERWISE SPECIFIED:	APVD	NAME	
mm	0 PLC ± 1 PLC ±0.3 2 PLC ±0.20 3 PLC ± 4 PLC ± ANGLES ±3° FINISH	-	T-SPLITTER, NECTOR M, 3 POSN, SEALED	
MATERIAL		PRODUCT SPEC 108-133014	SIZE	RESTRICTED TO
		APPLICATION SPEC 114-32111	A2	-
		WEIGHT	CAGE CODE	DRAWING NO
		-	-	G-2213434
		Customer Drawing	SCALE	SHEET
			2:1	2 OF 2
				REV B1

X-ON Electronics

Largest Supplier of Electrical and Electronic Components

Click to view similar products for [Lighting Connectors](#) category:

Click to view products by [TE Connectivity](#) manufacturer:

Other Similar products are found below :

[293300-7](#) [293660-5](#) [CNX_H03_NTP](#) [30-9767-BU](#) [3605](#) [3-21030-1](#) [ZCH-110-RGB-I](#) [503471-0290](#) [ZCH-110-RGB-J](#) [217-0716-200](#)
[1954563-1](#) [1-293657-2](#) [2834036-1](#) [2834037-1](#) [1-2213222-4](#) [2-2213222-4](#) [2213222-4](#) [2834122-3](#) [2834122-5](#) [2834135-2](#) [FLA-R4142-30](#)
[FLA-R4162-30](#) [FLA-R2142-30](#) [FLA-R2141-30](#) [FLA-R2162-30](#) [FLA-R2161-30](#) [FLA-R0161-30](#) [FLA-R0141-30](#) [FLA-R0142-30](#) [FLA-](#)
[R0162-30](#) [FLA-C00-00](#) [DGA00010553](#) [CNXV04NTP](#) [104128-0610](#) [503485-0000 \(Cut Strip\)](#) [503485-0000 \(Loose Piece\)](#) [503485-0000](#)
[\(MINI Reel\)](#) [1-2834074-2](#) [1-2834074-3](#) [1357-AC PLUG W2C \(CHINA\)](#) [1357-AC PLUG W2 \(USA\)](#) [104266-0110](#) [2106212-1](#) [2-2834074-2](#)
[104266-0210](#) [293470-1](#) [293651-2](#) [293651-4](#) [1-2834006-2](#) [293651-1](#)