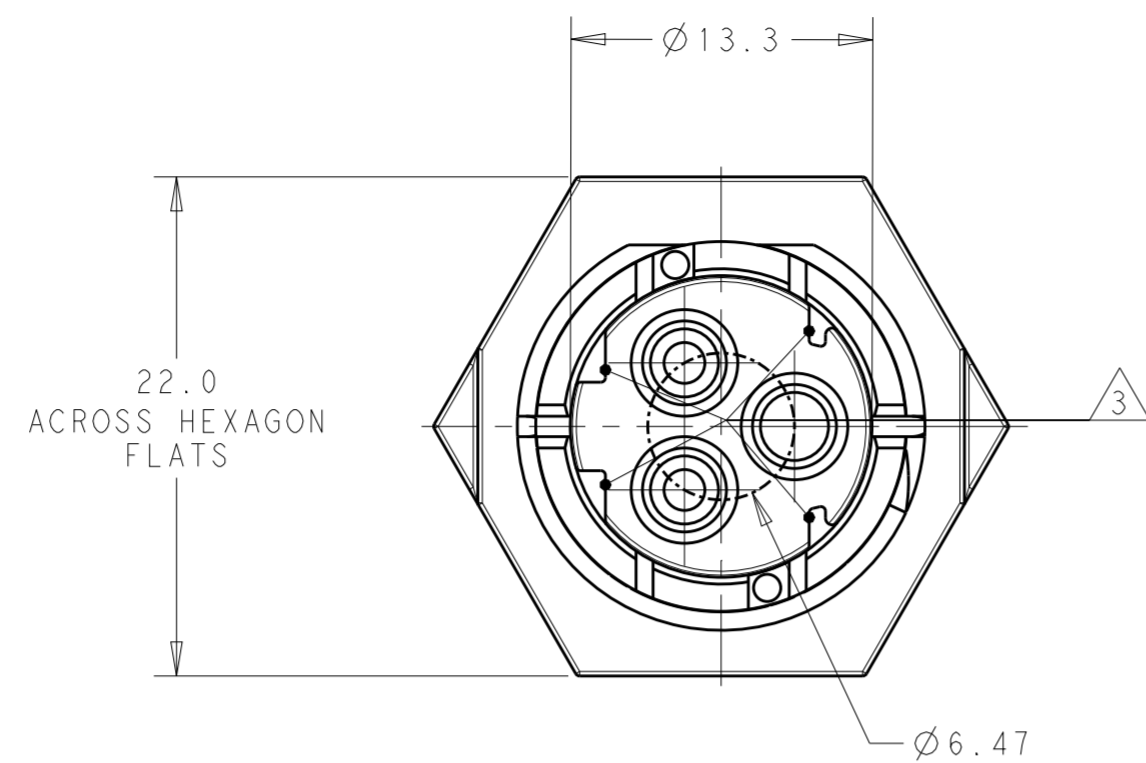


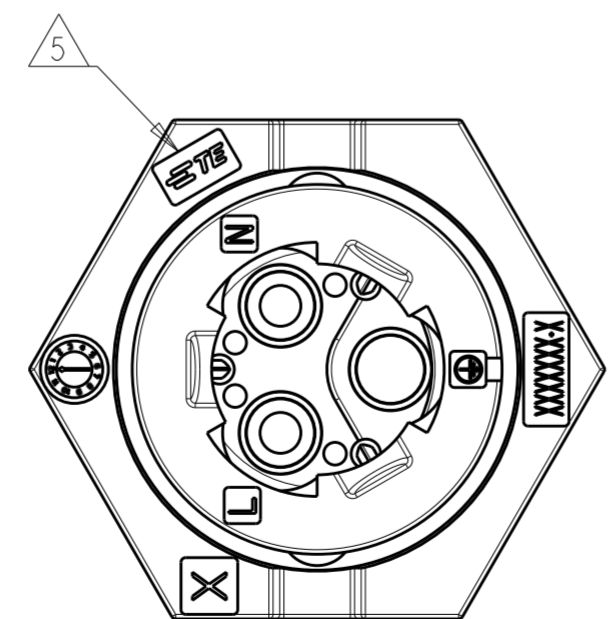
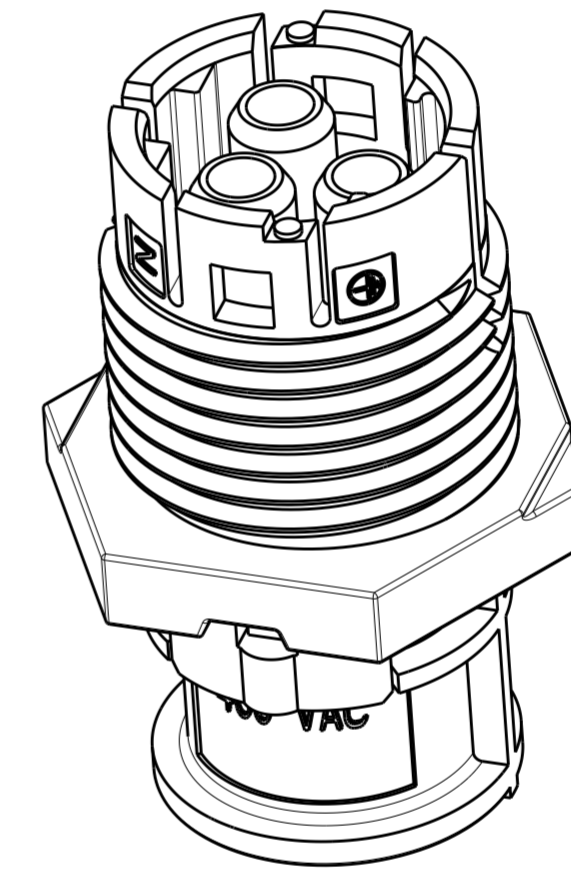
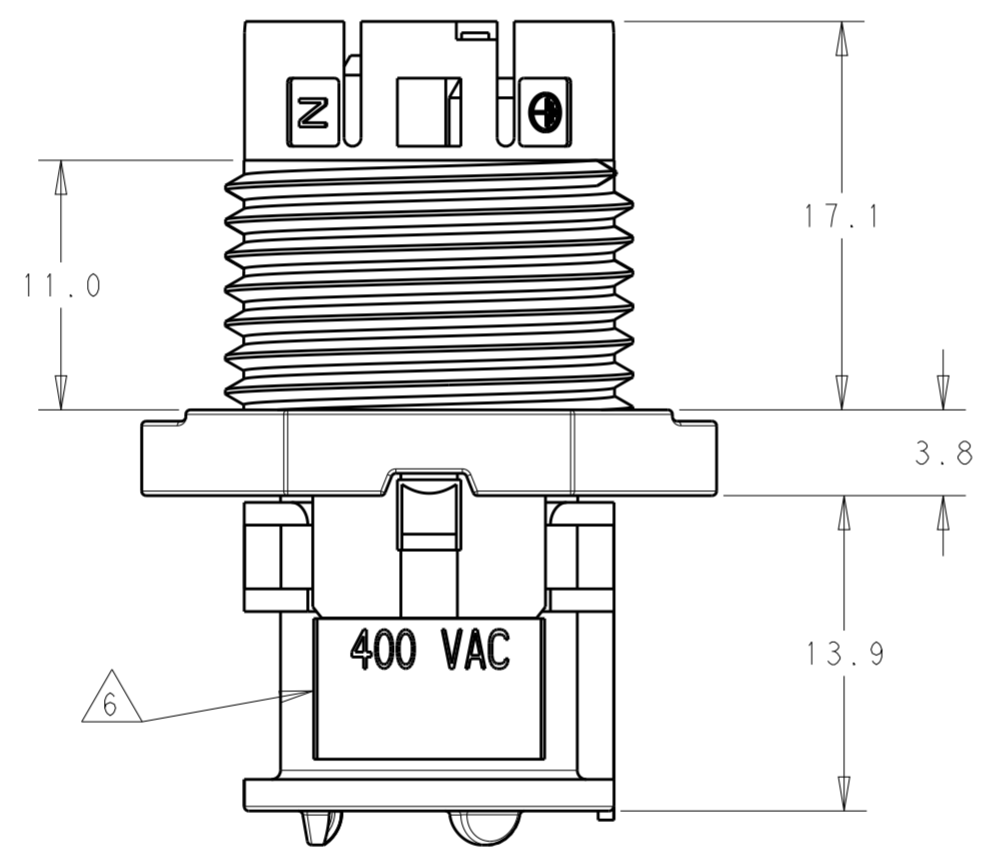
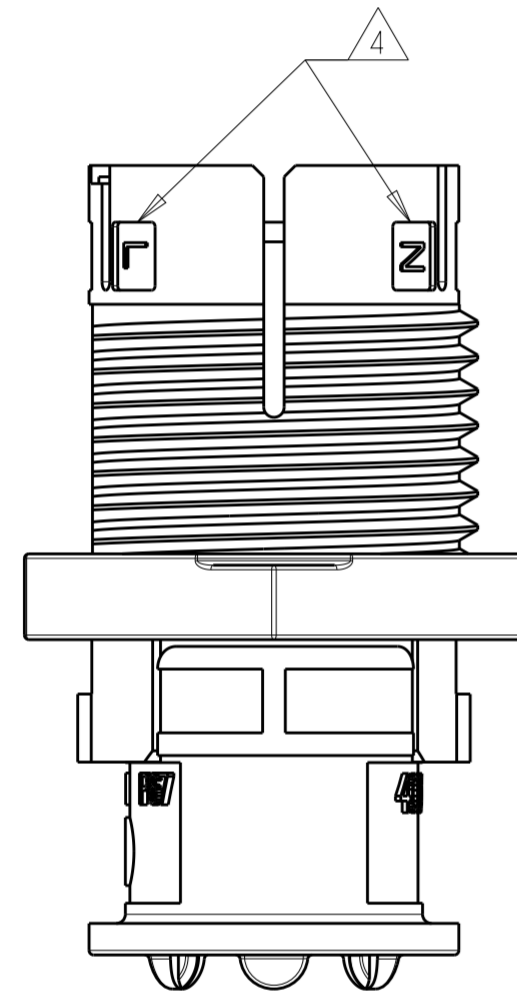
THIS DRAWING IS UNPUBLISHED. RELEASED FOR PUBLICATION 20
 © COPYRIGHT 20 BY - ALL RIGHTS RESERVED.

REVISIONS					
P	LTR	DESCRIPTION	DATE	DWN	APVD
A		REVISED AS PER ECR-15-005925	22APR2015	RS	JL
A1		ECR-18-006945	02JUL2018	SR	MZ



NOTES:

- MATERIAL: GLASS FILLED PBT, COLOR: BLACK
- MUST COMPLY WITH DIRECTIVE 2002/95/EC (ROHS)
- ALL POLARIZATION KEYS SHOWN FOR REF ONLY.
- CIRCUIT I.D.
- TE LOGO
- VOLTAGE RATING
- THIS PRODUCT HAS NOT COMPLETED VALIDATION TESTING



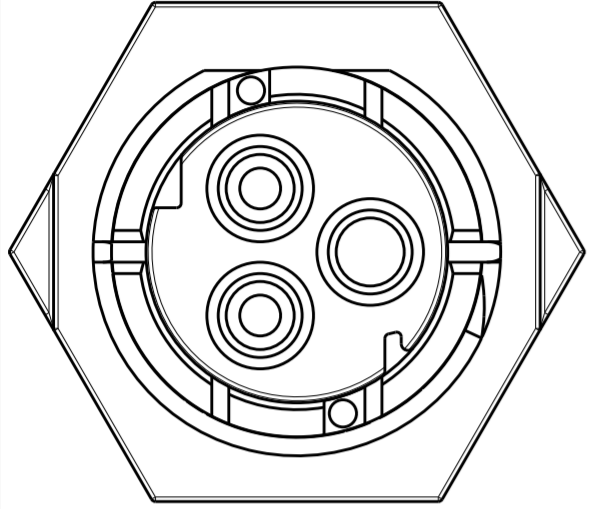
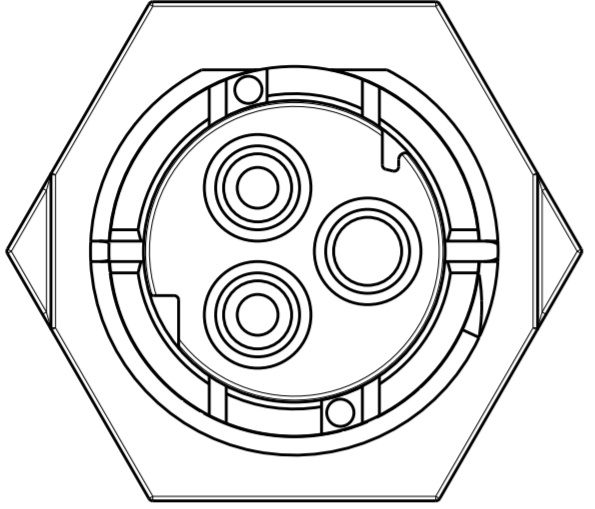
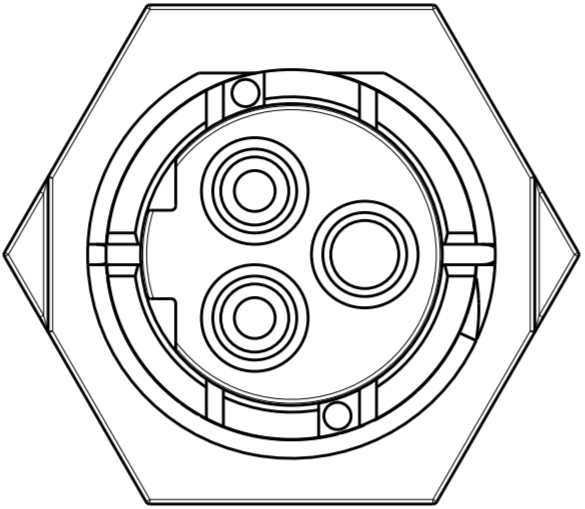
OBSOLETE	C	PANEL MOUNT SOCKET SEALED NECTOR 3 POSITION	2213468-3
	B	PANEL MOUNT SOCKET SEALED NECTOR 3 POSITION	2213468-2
	A	PANEL MOUNT SOCKET SEALED NECTOR 3 POSITION	2213468-1
	POLARIZATION TYPE	DESCRIPTION	PART NUMBER

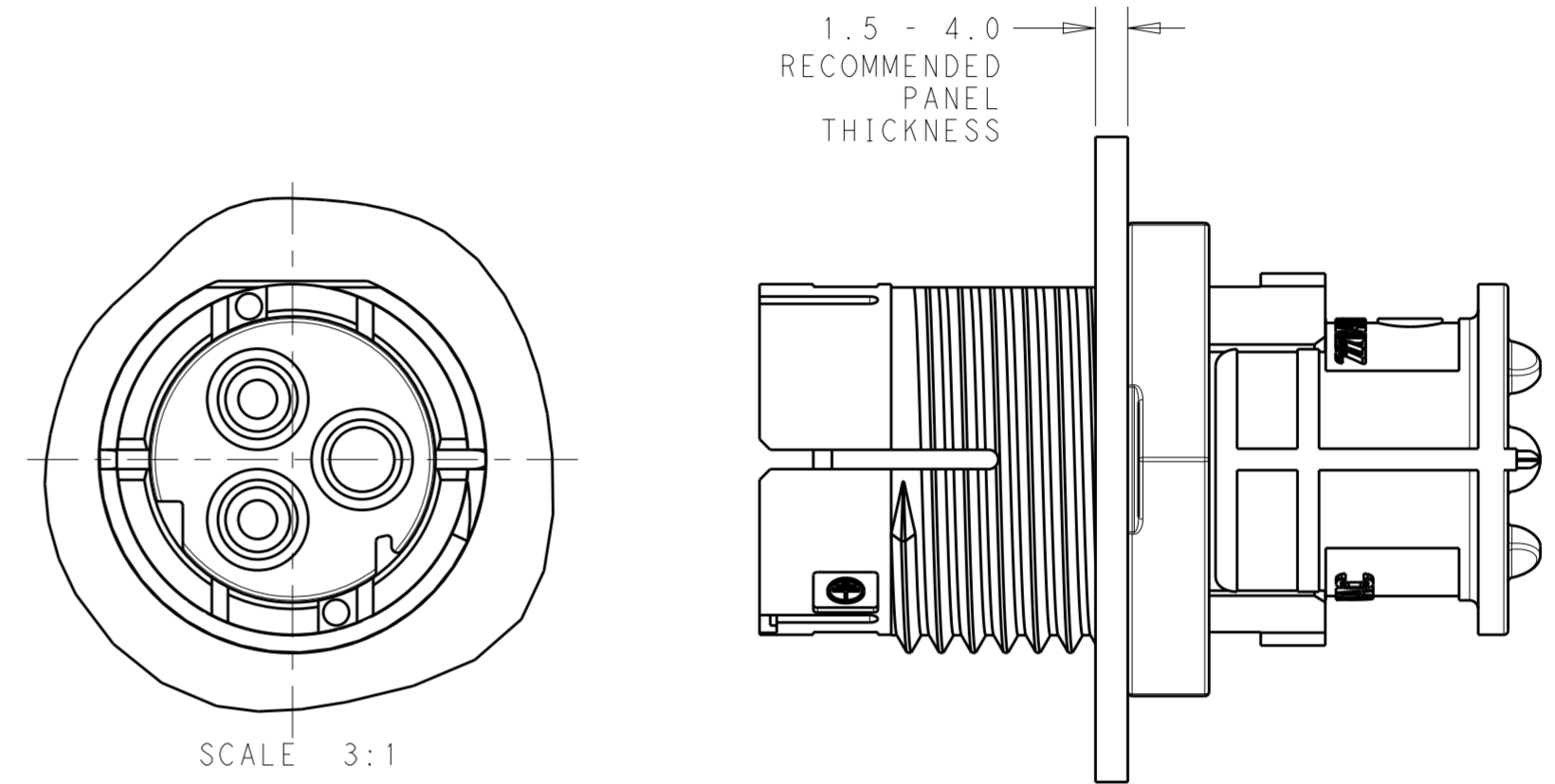
DIMENSIONS:		TOLERANCES UNLESS OTHERWISE SPECIFIED:		APVD		NAME	
mm	0 PLC	±		DWN	J. SHAFFER	20MAR2014	TE Connectivity
	1 PLC	±0.3		CHK	M. LUKSIC	20MAR2014	
	2 PLC	±0.20		APVD	M. LUKSIC	20MAR2014	
	3 PLC	±		PRODUCT SPEC			
	4 PLC	±		APPLICATION SPEC			
	ANGLES	±3°					
	FINISH	-					
MATERIAL	TBD	-		SIZE	A2	CAGE CODE	-
	-	-		DRAWING NO	G-2213468		RESTRICTED TO
				WEIGHT	-	SCALE	1:1
				Customer Drawing		SHEET	1 OF 2
						REV	A1

THIS DRAWING IS UNPUBLISHED. RELEASED FOR PUBLICATION 20
 © COPYRIGHT 20 BY - ALL RIGHTS RESERVED.

REVISIONS				
P	LTR	DESCRIPTION	DATE	APVD
-		SEE SHEET 1	-	-

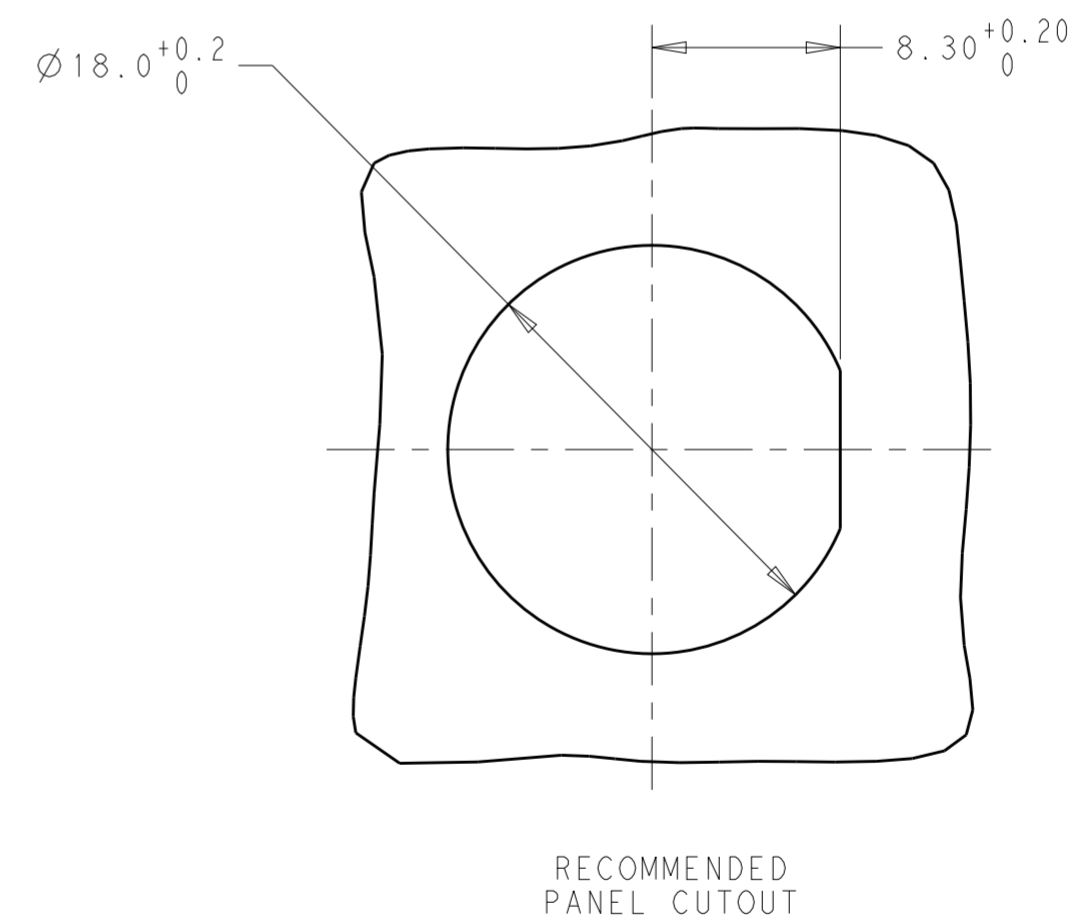
POLARIZATION TYPES

POLARIZATION TYPE "A"	POLARIZATION TYPE "B"	POLARIZATION TYPE "C"
		
PN 2213468-1	PN 2213468-2	PN 2213468-3



1.5 - 4.0
RECOMMENDED
PANEL
THICKNESS

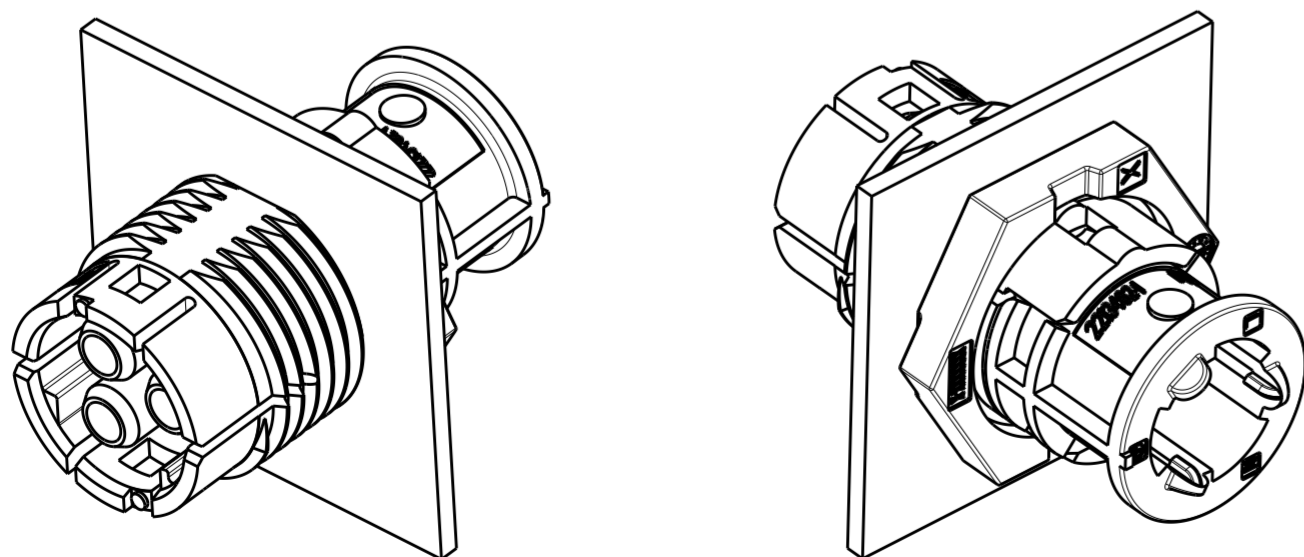
SCALE 3:1




$\varnothing 18.0^{+0.2}_0$

$8.30^{+0.20}_0$

RECOMMENDED
PANEL CUTOUT



3D VIEWS
FOR REFERENCE ONLY

THIS DRAWING IS A CONTROLLED DOCUMENT.		DWN J. SHAFFER 20MAR2014	 TE Connectivity	
DIMENSIONS: mm		CHK M. LUKSIC 20MAR2014		
TOLERANCES UNLESS OTHERWISE SPECIFIED:		APVD M. LUKSIC 20MAR2014	NAME PANEL MOUNT, SOCKET; SEALED NECTOR M 3 POSITION	
0 PLC ±	1 PLC ±0.3	PRODUCT SPEC 108-133014	SIZE A2	CAGE CODE -
2 PLC ±0.20	3 PLC ±	APPLICATION SPEC 114-32111	DRAWING NO. G-2213468	RESTRICTED TO -
4 PLC ±	ANGLES ±3°	WEIGHT -	SCALE 1:1	SHEET 2 OF 2
MATERIAL TBD	FINISH -	Customer Drawing	REV A1	

X-ON Electronics

Largest Supplier of Electrical and Electronic Components

Click to view similar products for [Lighting Connectors](#) category:

Click to view products by [TE Connectivity](#) manufacturer:

Other Similar products are found below :

[293300-7](#) [293660-5](#) [CNX_H03_NTP](#) [30-9767-BU](#) [3605](#) [3-21030-1](#) [ZCH-110-RGB-I](#) [503471-0290](#) [ZCH-110-RGB-J](#) [217-0716-200](#)
[1954563-1](#) [1-293657-2](#) [2834036-1](#) [2834037-1](#) [1-2213222-4](#) [2-2213222-4](#) [2213222-4](#) [2834122-3](#) [2834122-5](#) [2834135-2](#) [FLA-R4142-30](#)
[FLA-R4162-30](#) [FLA-R2142-30](#) [FLA-R2141-30](#) [FLA-R2162-30](#) [FLA-R2161-30](#) [FLA-R0161-30](#) [FLA-R0141-30](#) [FLA-R0142-30](#) [FLA-](#)
[R0162-30](#) [FLA-C00-00](#) [DGA00010553](#) [CNXV04NTP](#) [104128-0610](#) [503485-0000 \(Cut Strip\)](#) [503485-0000 \(Loose Piece\)](#) [503485-0000](#)
[\(MINI Reel\)](#) [1-2834074-2](#) [1-2834074-3](#) [1357-AC PLUG W2C \(CHINA\)](#) [1357-AC PLUG W2 \(USA\)](#) [104266-0110](#) [2106212-1](#) [2-2834074-2](#)
[104266-0210](#) [293470-1](#) [293651-2](#) [293651-4](#) [1-2834006-2](#) [293651-1](#)