

THIS DRAWING IS UNPUBLISHED. RELEASED FOR PUBLICATION  
 © COPYRIGHT - BY TYCO ELECTRONICS CORPORATION. ALL RIGHTS RESERVED.

LOC H DIST -

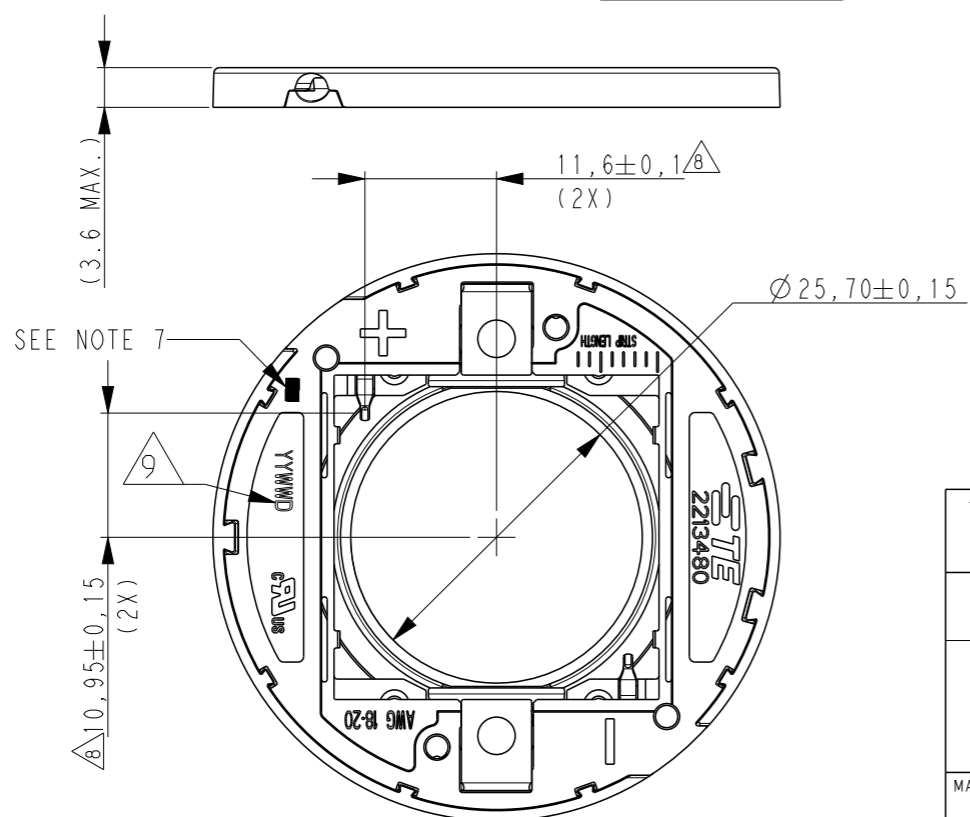
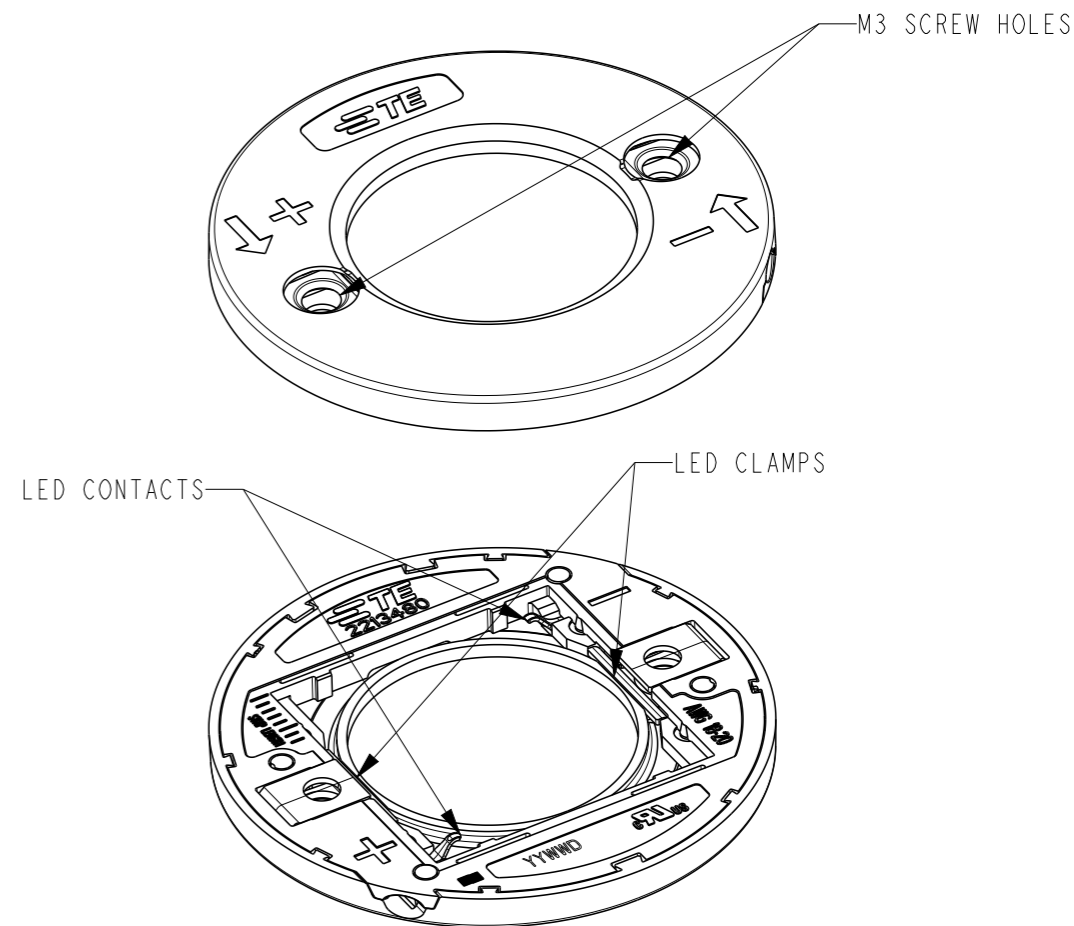
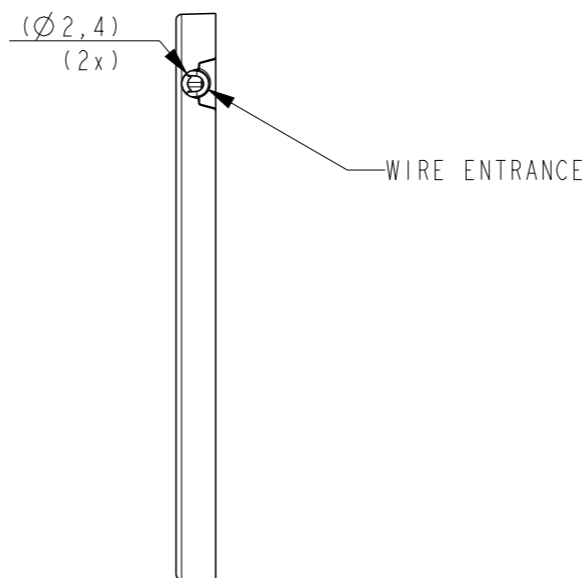
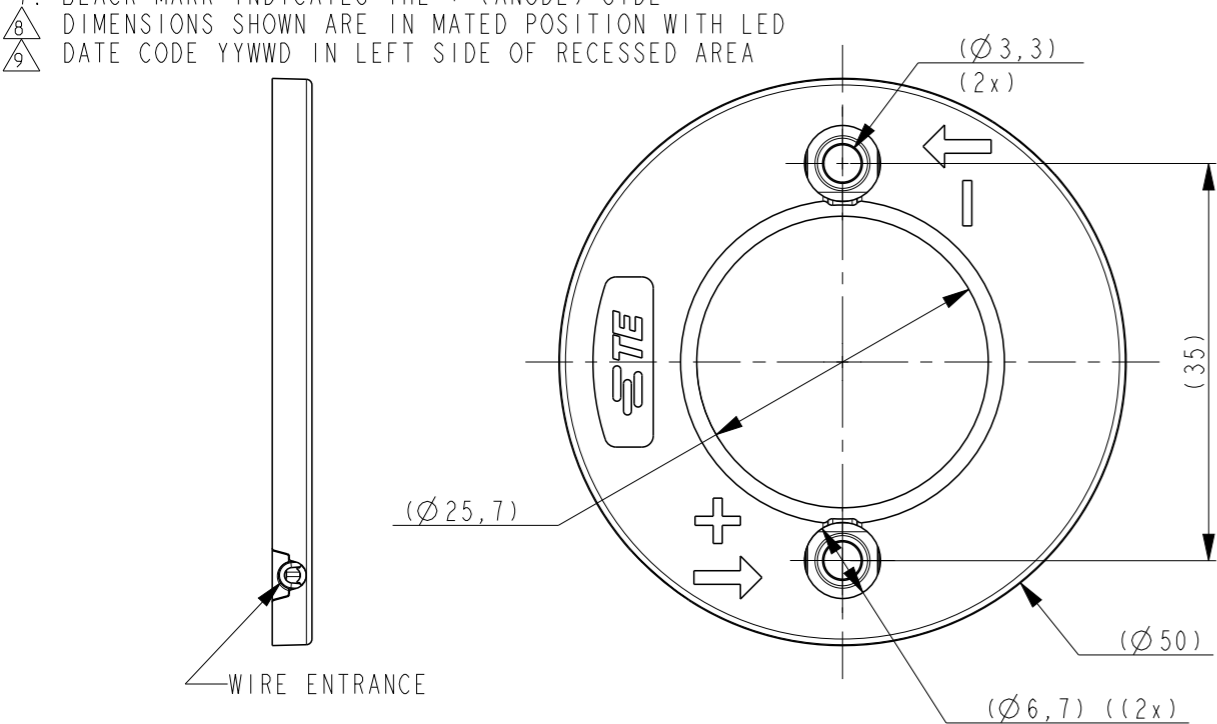
REVISIONS

P	LTR	DESCRIPTION	DATE	DWN	APVD
	C6	ECR-19-000064	04JAN2019	SR	DD
	C7	ECR-19-013004	23AUG2019	SR	JL
	C8	ECR-19-018313	25NOV2019	SR	JL
	C9	ECR-20-000836	23JAN2020	SB	JL

NOTES:

- MATERIALS:  
HOUSING: GLASS FILLED PBT, HALOGEN FREE FLAME RETARDANT  
COLOR : WHITE  
CONTACTS: GOLD PLATED COPPER ALLOY
- FOR WIRE TYPES AWG 18 AND 20 AWG.
- COMPLIES WITH DIRECTIVE 2002/95/EC (ROHS)
- WIRE STRIP LENGTH: 7-8 mm
- MAX. WIRE INSULATION OUTER DIAM.:  $\varnothing 2.3\text{mm}$ .
- RECOMMENDED SCREW TORQUE: 0.4 - 0.6 Nm.
- IN ORDER TO CREATE A FLAT OPTIC LANDING ZONE ON HOLDER A COUNTERSUNK SCREW CAN BE USED, I.E. SCREW-TYPE ISO 10642.
- BLACK MARK INDICATES THE + (ANODE) SIDE

$\triangle$  DUE TO HIGH LUMEN OUTPUT CARE MUST BE TAKEN TO DESIGN OPTICAL SYSTEM TO ENSURE LIGHT DOES NOT REACH HOLDER.  
 11. FOR COB-TO-HOLDER CROSS REFERENCE, REFER TO APPLICATION SPECIFICATION 114-32208.



PART NO	DESCRIPTION	PACKAGING
4-2213480-1	Z50 LED HOLDER 2828	10 PIECES IN TRAY 56 TRAYS PER SHIPPING BOX
2-2213480-1	Z50 LED HOLDER 2828	2x10 PIECES IN TRAY AND BOX 25 BOXES IN SHIPPING BOX
1-2213480-1	Z50 LED HOLDER 2828	2x10 PIECES IN TRAY AND BOX 25 BOXES IN SHIPPING BOX
2213480-2	LUMAWISE Z50 LED holder 2727 general	2x5 PIECES IN TRAY 56 TRAYS IN SHIPPING BOX
2213480-1	LUMAWISE Z50 LED holder 2828 general	2x5 PIECES IN TRAY 56 TRAYS IN SHIPPING BOX

THIS DRAWING IS A CONTROLLED DOCUMENT.

DIMENSIONS:	TOLERANCES UNLESS OTHERWISE SPECIFIED:
mm	
	±
	±
	±
	±
	±
ANGLES	±
FINISH	-

DWN 08APRIL2014  
 P. POORTER  
 CHK 08APRIL2014  
 O. LEIJNSE  
 APVD 08APRIL2014  
 O. LEIJNSE  
 PRODUCT SPEC  
 108-133018  
 APPLICATION SPEC  
 114-133019  
 WEIGHT -

**STE** TE Connectivity

NAME  
 LUMAWISE Z50 high performance LED HOLDER

SIZE	CAGE CODE	DRAWING NO	RESTRICTED TO
A3	00779	C-2213480	-

Customer Drawing SCALE 3:2 SHEET 1 OF 3 REV C9

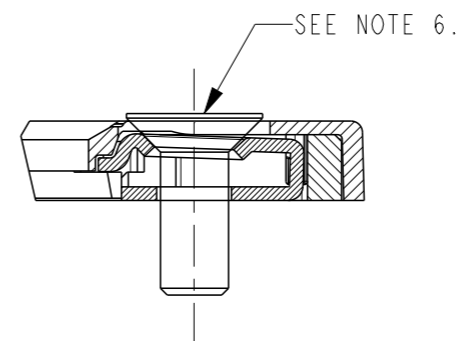
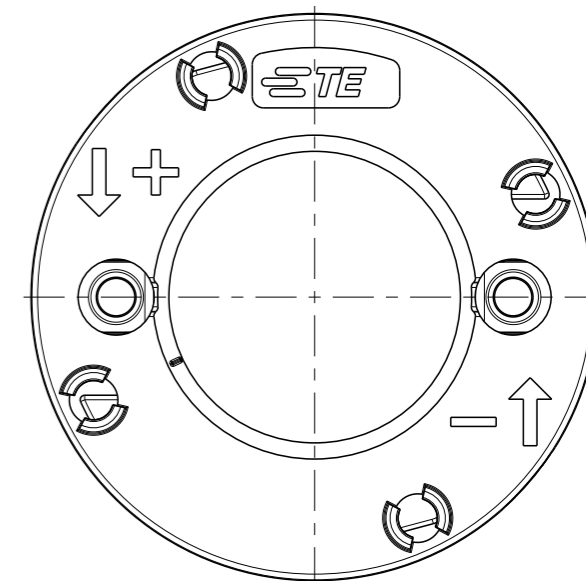
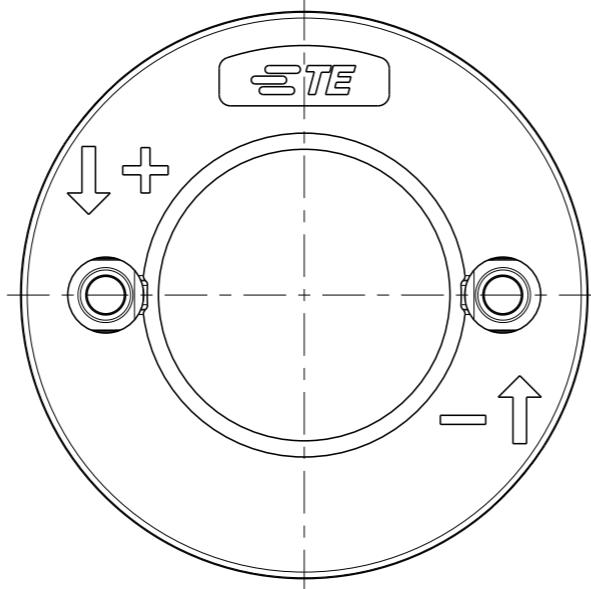
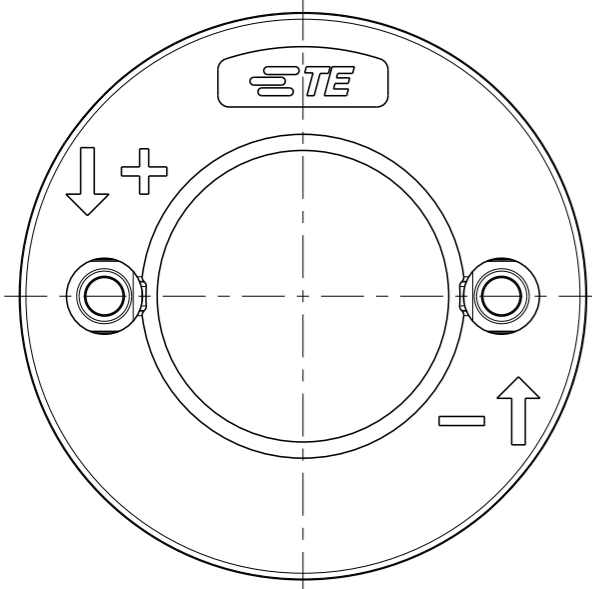
THIS DRAWING IS UNPUBLISHED. RELEASED FOR PUBLICATION  
 © COPYRIGHT - BY TYCO ELECTRONICS CORPORATION. ALL RIGHTS RESERVED.

LOC	DIST	REVISIONS			
P	LTR	DESCRIPTION	DATE	DWN	APVD
H	-	SEE SHEET 1	-	-	-

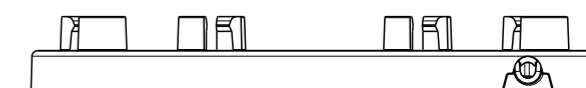
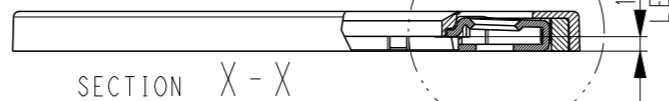
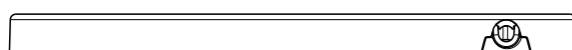
2213480-1 AS SHOWN

2213480-2 AS SHOWN

4-2213480-1 AS SHOWN

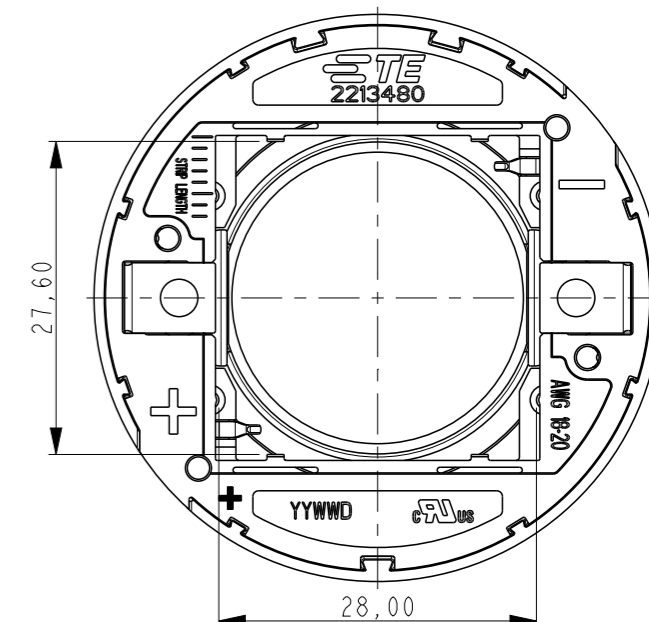
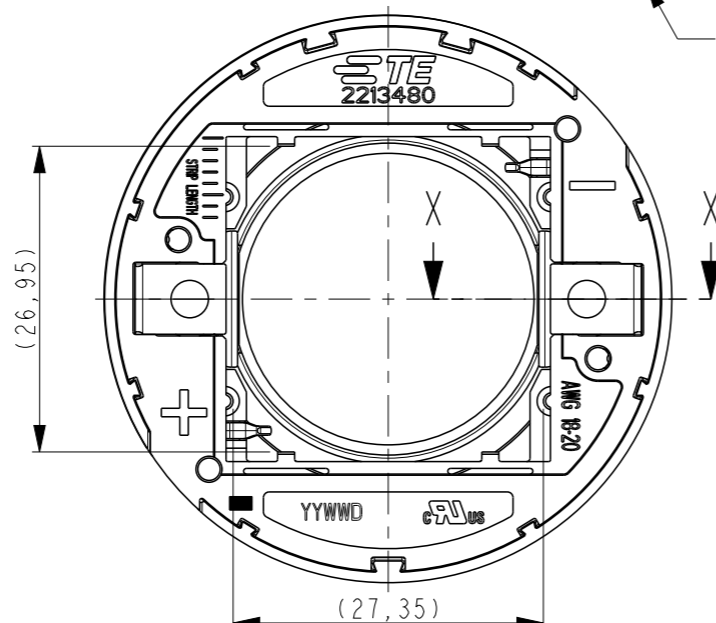
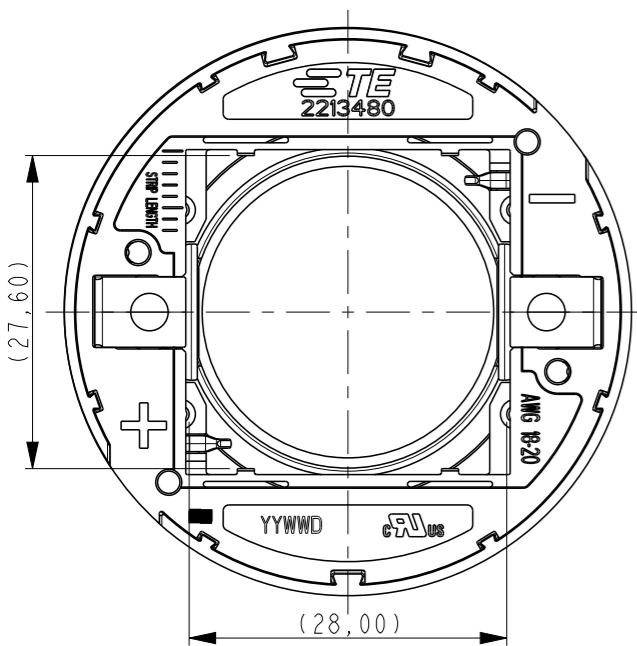



DETAIL A  
SCALE 3:1



SECTION X-X

SEE DETAIL A



THIS DRAWING IS A CONTROLLED DOCUMENT.		DWN P. POORTER 08APRIL2014	 TE Connectivity	
DIMENSIONS: mm		CHK O. LEIJNSE 08APRIL2014		
TOLERANCES UNLESS OTHERWISE SPECIFIED:		APVD O. LEIJNSE 08APRIL2014	NAME LUMAWISE Z50 high performance LED HOLDER	
0 PLC ±- 1 PLC ±- 2 PLC ±- 3 PLC ±- 4 PLC ±- ANGLES ±-		PRODUCT SPEC 108-133018	RESTRICTED TO	
MATERIAL -		FINISH -	APPLICATION SPEC 114-133019	SIZE A3
		Customer Drawing	WEIGHT -	CAGE CODE 00779
			DRAWING NO C-2213480	DRAWING NO C-2213480
			SCALE 3:2	SHEET 2 OF 3
				REV C9

4

3

2

1

THIS DRAWING IS UNPUBLISHED.

RELEASED FOR PUBLICATION

© COPYRIGHT - BY TYCO ELECTRONICS CORPORATION. ALL RIGHTS RESERVED.

LOC	DIST	REVISIONS					
		P	LTR	DESCRIPTION	DATE	DWN	APVD
H	-		-	SEE SHEET 1	-	-	-

RECOMMENDED DRILLING HOLE PATTERN:

M3 (2x)  
 $\pm 0.1$   
 35,00  
 $\varnothing 50.0$  MIN. KEEP OUT ZONE

NOMINAL LED INFO:


THE SKETCH BELOW IS SHOWING THE NOMINAL LED COB DIMENSIONS TO MATCH WITH THE Z50 LED HOLDER 2828 (2213480-1)

FOR TECHNICAL DETAILS ABOUT A PROPER MATCH WITH A SPECIFIC LED COB ARRAY PLEASE CONTACT A REPRESENTATIVE AT TE-CONNECTIVITY

27.35-28,00 NOMINAL  
 CONTACT POINTS AREA (2x)  
 27.35-28,00 NOMINAL  
 LES 25,50 MAX.  
 1.2 MAX.

RECOMMENDED KEEP OUT AREA FOR CLAMPING:

25,8 MIN.  
 12,7 MIN.  
 NO TRACKS BELOW THIS AREA !

THIS DRAWING IS A CONTROLLED DOCUMENT.		DWN P. POORTER 08APRIL2014	 TE Connectivity		
DIMENSIONS: mm		CHK O. LEIJNSE 08APRIL2014			
TOLERANCES UNLESS OTHERWISE SPECIFIED:		APVD O. LEIJNSE 08APRIL2014	NAME LUMAWISE Z50 high performance LED HOLDER		
0 PLC ±- 1 PLC ±- 2 PLC ±- 3 PLC ±- 4 PLC ±- ANGLES ±-		PRODUCT SPEC 108-133018	RESTRICTED TO		
MATERIAL -		APPLICATION SPEC 114-133019	SIZE A3	CAGE CODE 00779	DRAWING NO C-2213480
FINISH -		WEIGHT -	SCALE 3:2		
		Customer Drawing	SHEET 3 OF 3		
			REV C9		

1470-19 (3/11)

## X-ON Electronics

Largest Supplier of Electrical and Electronic Components

*Click to view similar products for [LED Lighting Mounting Accessories](#) category:*

*Click to view products by [TE Connectivity](#) manufacturer:*

Other Similar products are found below :

[C16142\\_HEKLA-SOCKET-K](#) [3SU1401-1BG20-1AA0](#) [3SU1900-0BC31-0NB0](#) [ES16-RT](#) [1SFA616921R2042](#) [1SFA616921R2131](#)  
[1SFA616921R2133](#) [1SFA616921R2143](#) [1SFA611621R1093](#) [B8910020](#) [D3980022](#) [E3990022](#) [E3990040](#) [CABI12 E BK 1M SET PRM](#)  
[FLAT8 H/U BK 1M SET PRM](#) [BEGTIN12 J/S BK 1M SET PRM](#) [1-2213678-6](#) [C16791\\_CLAMP-Z45-A](#) [F17250\\_SOLDER-CLIP-A](#) [CM22-](#)  
[4-20MA](#) [CM22-R10K-MT](#) [CM22-R1K](#) [CM22-R50K](#) [CM22-R5K-MT](#) [CM22-SLR](#) [10465](#) [M22-A](#) [M22-CK11](#) [M22-CK20](#) [M22G-XGPV](#)  
[M22-K01](#) [M22-LCH-W](#) [M22-LC-R](#) [M22-LED230-R](#) [M22-LED230-W](#) [M22-LEDC230-G](#) [M22-LEDC-G](#) [M22-LEDC-W](#) [M22-LED-G](#)  
[M22-LED-W](#) [M22-L-G](#) [M22-LH-G](#) [M22-LH-R](#) [M22-LH-W](#) [M22-L-R](#) [M22-L-W](#) [M22-L-X](#) [M22-MS](#) [M22-R10K](#) [M22-R1K](#)