

4

3

2

1

THIS DRAWING IS UNPUBLISHED. RELEASED FOR PUBLICATION 20  
 © COPYRIGHT 20 BY - ALL RIGHTS RESERVED.

REVISIONS					
P	LTR	DESCRIPTION	DATE	DWN	APVD
A		REVISED PER ECR-14-012230	12SEP2014	RS	DD
A1		REVISED PER ECR-17-018430	28DEC2017	GCM	DD

NOTES:

- MATERIAL: COPPER ALLOY 0.254 THICK  
 FINISH: NICKEL UNDERPLATE ENTIRE CONTACT 0.127  $\mu\text{m}$  MIN THICK. GOLD PLATED IN AREA 1 ON ONE SIDE ONLY 0.76  $\mu\text{m}$  MIN THICK. MATTE TIN PLATED IN AREA 2 3.0  $\mu\text{m}$  MIN THICK
- FINAL FORMING AND LOOSE PIECE OPERATIONS AS SHOWN ON SHEET 2 MUST BE PERFORMED BY CUSTOMER.
- APPLICATION FEED IS 14.64.
- CARRIER STRIP STANDOFFS PROVIDE PRODUCT PROTECTION DURING SHIPPING.

26.66  
 4.65  
 2.65  
 5.19  
 0.66  
 4.14  
 3.00  
 Ø1.50

MIN TIN PLATED AREA 2

2.00  
 MIN GOLD PLATED AREA 1  
 GOLD PLATED THIS SIDE ONLY  
 6.24  
 1.88  
 5.10  
 (2.0)  
 (5.2)

2213497-1 AS SHOWN

SCALE 4:1

REELING DIRECTION

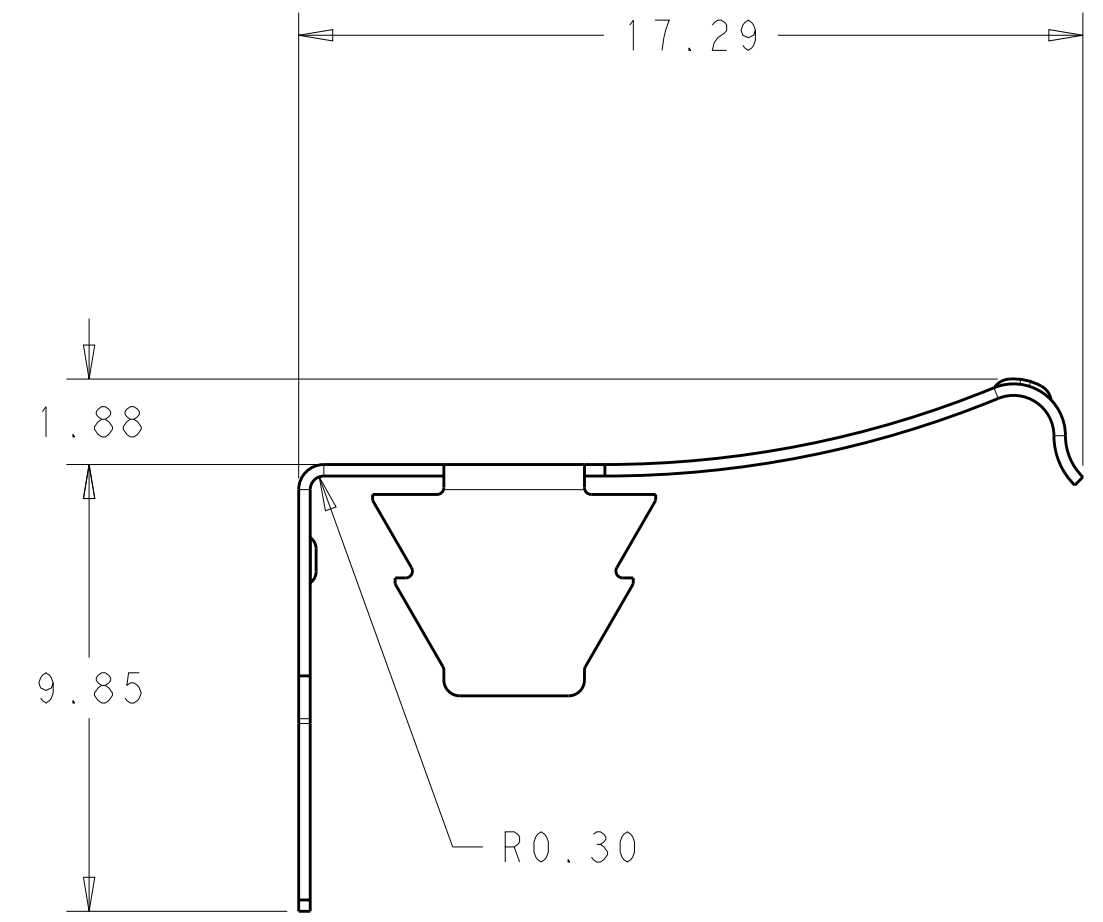
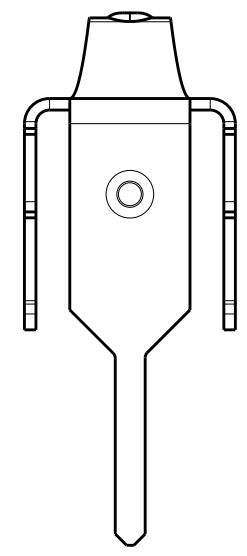
AS SHOWN - ON STRIP	2213497-1
DESCRIPTION	PART NO.

THIS DRAWING IS A CONTROLLED DOCUMENT.		DWN J. SHAFFER 05MAY2014	TE Connectivity	
DIMENSIONS:		CHK E. HOWARD 05MAY2014		
mm	TOLERANCES UNLESS OTHERWISE SPECIFIED:	APVD E. HOWARD 05MAY2014	NAME DIMMABLE PHOTOCONTROL BRUSH CONTACT	
	0 PLC ±	PRODUCT SPEC	-	
	1 PLC ±	APPLICATION SPEC	-	
	2 PLC ±0.13	WEIGHT	-	
	3 PLC ±	Customer Drawing	-	
	4 PLC ±	SCALE 2:1	SHEET 1 OF 4	
	ANGLES ±	RESTRICTED TO	-	
	FINISH -	SIZE A2	CAGE CODE 00779	DRAWING NO. C-2213497
		REV A1		

1471-9 (3/13)

THIS DRAWING IS UNPUBLISHED. RELEASED FOR PUBLICATION 20  
 © COPYRIGHT 20 BY - ALL RIGHTS RESERVED.

REVISIONS				
P	LTR	DESCRIPTION	DATE	APVD
-	-	SEE SHEET 1	-	-



△  
 RECOMMENDED FINAL FORMED  
 LOOSE PIECE  
 FINAL FORM AND LOOSE PIECE  
 OPERATION MUST BE  
 PERFORMED BY CUSTOMER

THIS DRAWING IS A CONTROLLED DOCUMENT.		DWN J. SHAFFER 05MAY2014	TE Connectivity	
DIMENSIONS: mm		CHK E. HOWARD 05MAY2014		
TOLERANCES UNLESS OTHERWISE SPECIFIED:		APVD E. HOWARD 05MAY2014	NAME DIMMABLE PHOTOCONTROL BRUSH CONTACT	
0 PLC ±	1 PLC ±	PRODUCT SPEC	SIZE	RESTRICTED TO
2 PLC ±0.13	3 PLC ±	APPLICATION SPEC	A200779	-
4 PLC ±	ANGLES ±	WEIGHT	CAGE CODE	DRAWING NO
FINISH	FINISH	Customer Drawing	G-2213497	SCALE 2:1 SHEET 2 OF 4 REV A1

4

3

2

1

THIS DRAWING IS UNPUBLISHED. RELEASED FOR PUBLICATION 20  
 © COPYRIGHT 20 BY - ALL RIGHTS RESERVED.

REVISIONS				
P	LTR	DESCRIPTION	DATE	APVD
-	-	SEE SHEET 1	-	-

SEE DETAIL A  
(BRUSH CONTACT NOT INSTALLED  
IN THIS POSITION FOR DETAILING)

PHOTOCELL BRUSH CONTACT  
LOCATIONS AS SHOWN

NOTES FOR BRUSH CONTACT POCKET DETAILS:

1. DIMENSIONS ARE PER ANSI C136.10
2. UNLESS OTHERWISE NOTED, ALL DIMENSIONS ARE  $\pm 0.127\text{mm}$
3. UNLESS OTHERWISE NOTED, ALL ANGLES ARE  $\pm 0.5^\circ$
4. CIRCULAR AND ANGULAR POSITION FOR CONTACT POINT ON BRUSH CONTACT.
5. CUSTOMER MAY ROTATE BRUSH CONTACT POCKET PER THEIR PHOTOCELL DESIGN REQUIREMENTS, BUT BRUSH CONTACT POINT MUST BE POSITIONED AS SHOWN TO BE COMPATIBLE WITH ANSI C136.41-2013 DIMMING RECEPTACLE.
6. DIM "T" MUST BE DETERMINED BY CUSTOMER. THIS BASE THICKNESS DETERMINES CUSTOMER'S SOLDER TAIL LENGTH.

PARTIAL  
VIEW X

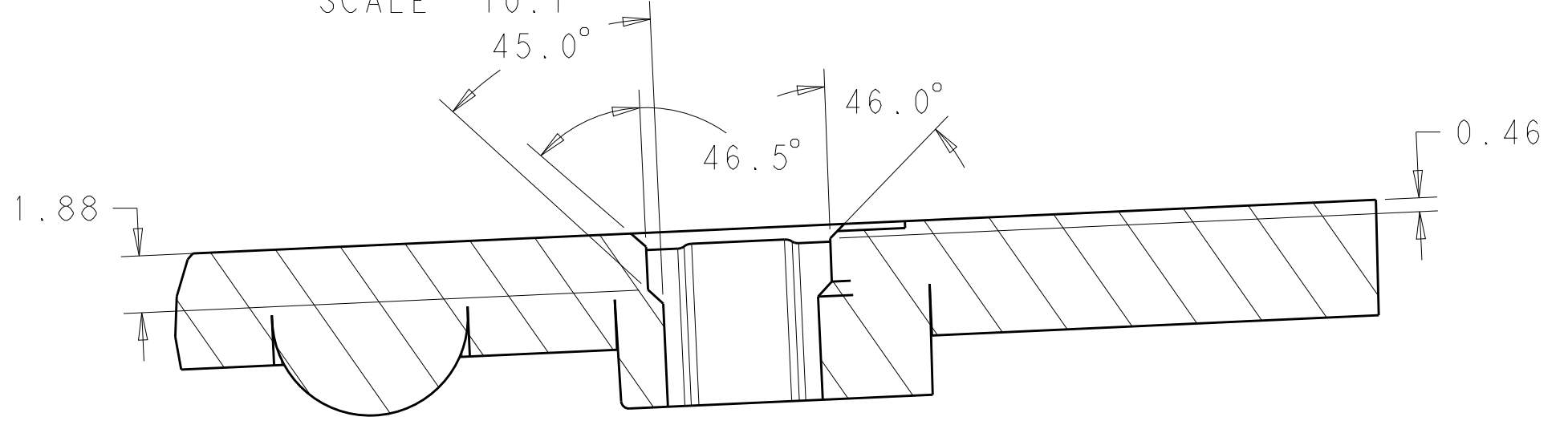
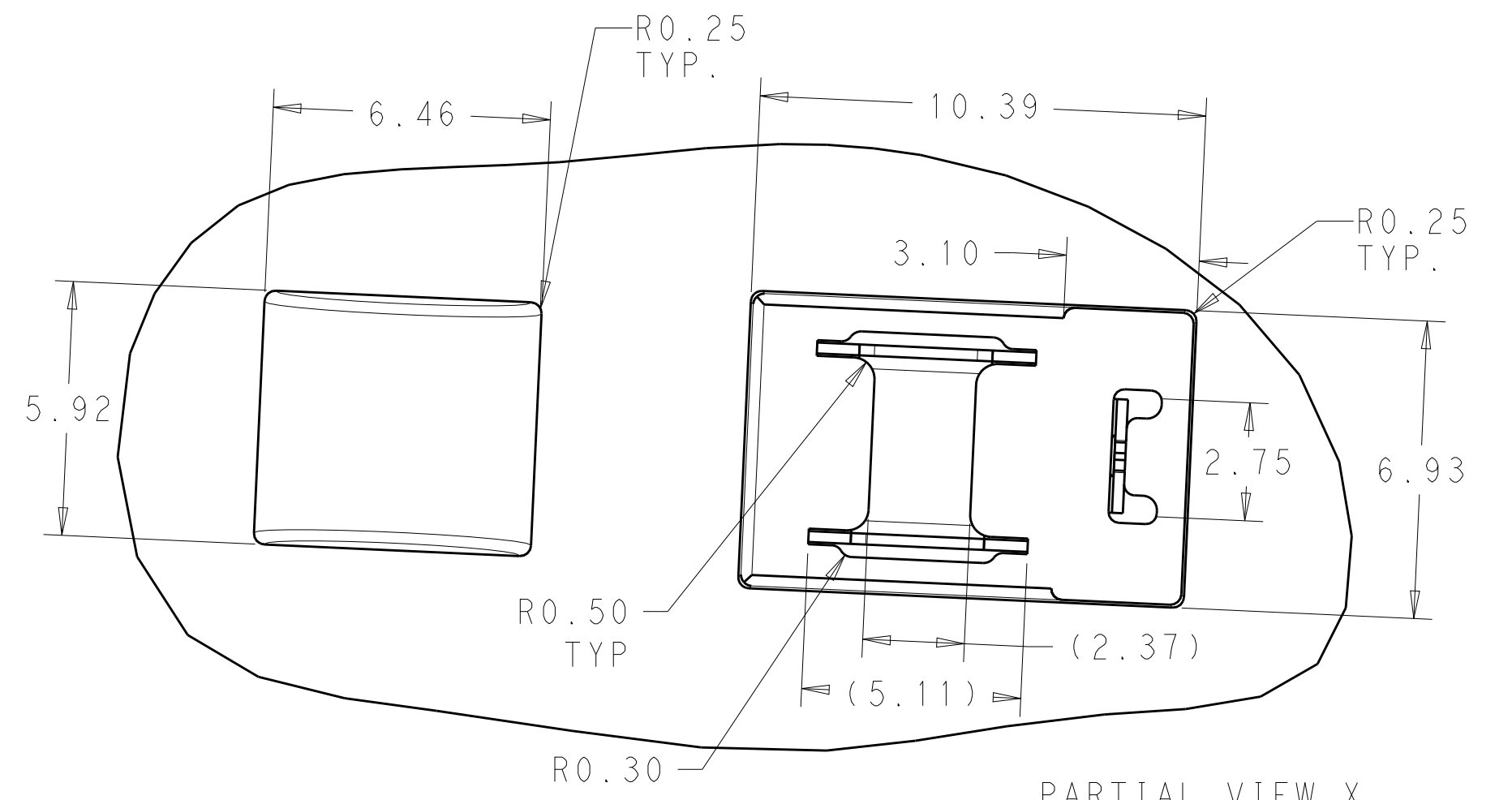
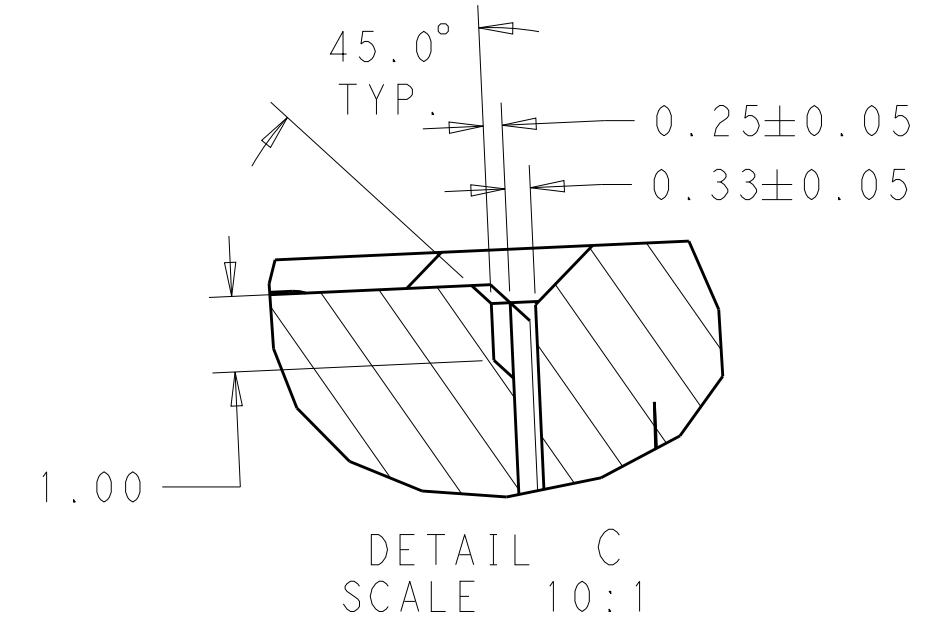
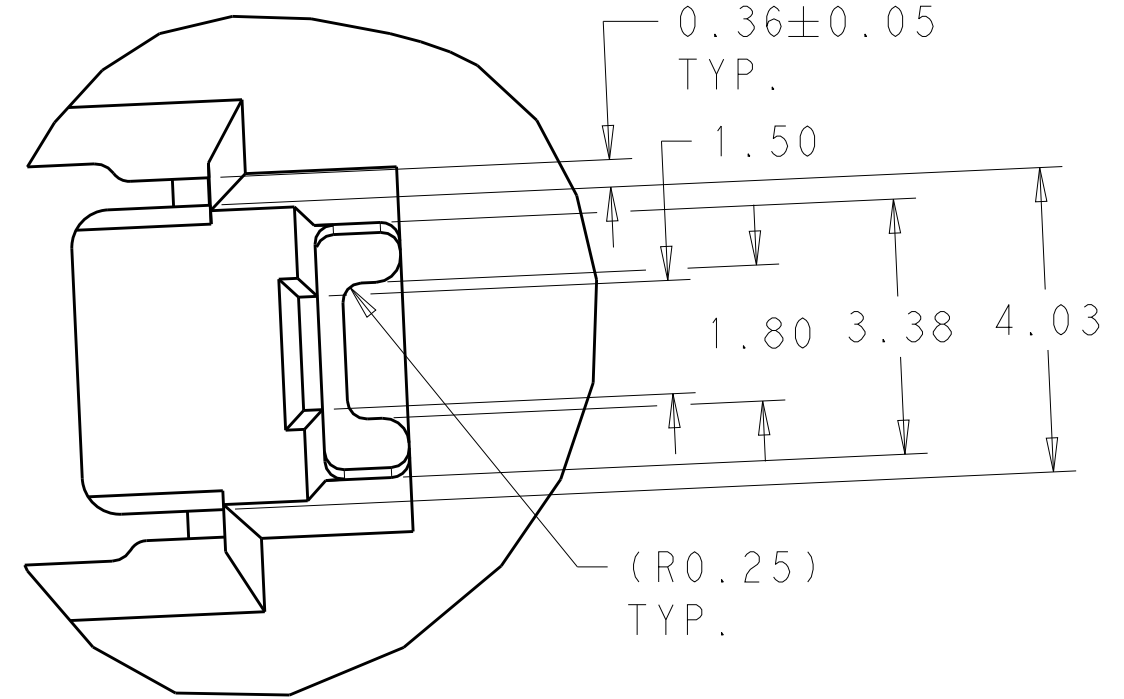
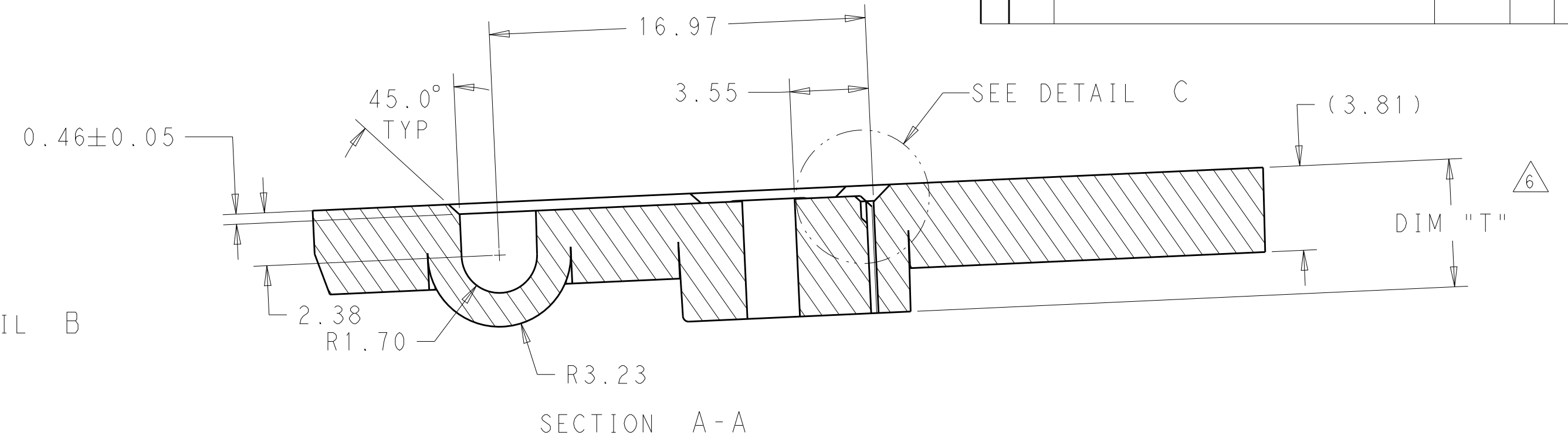
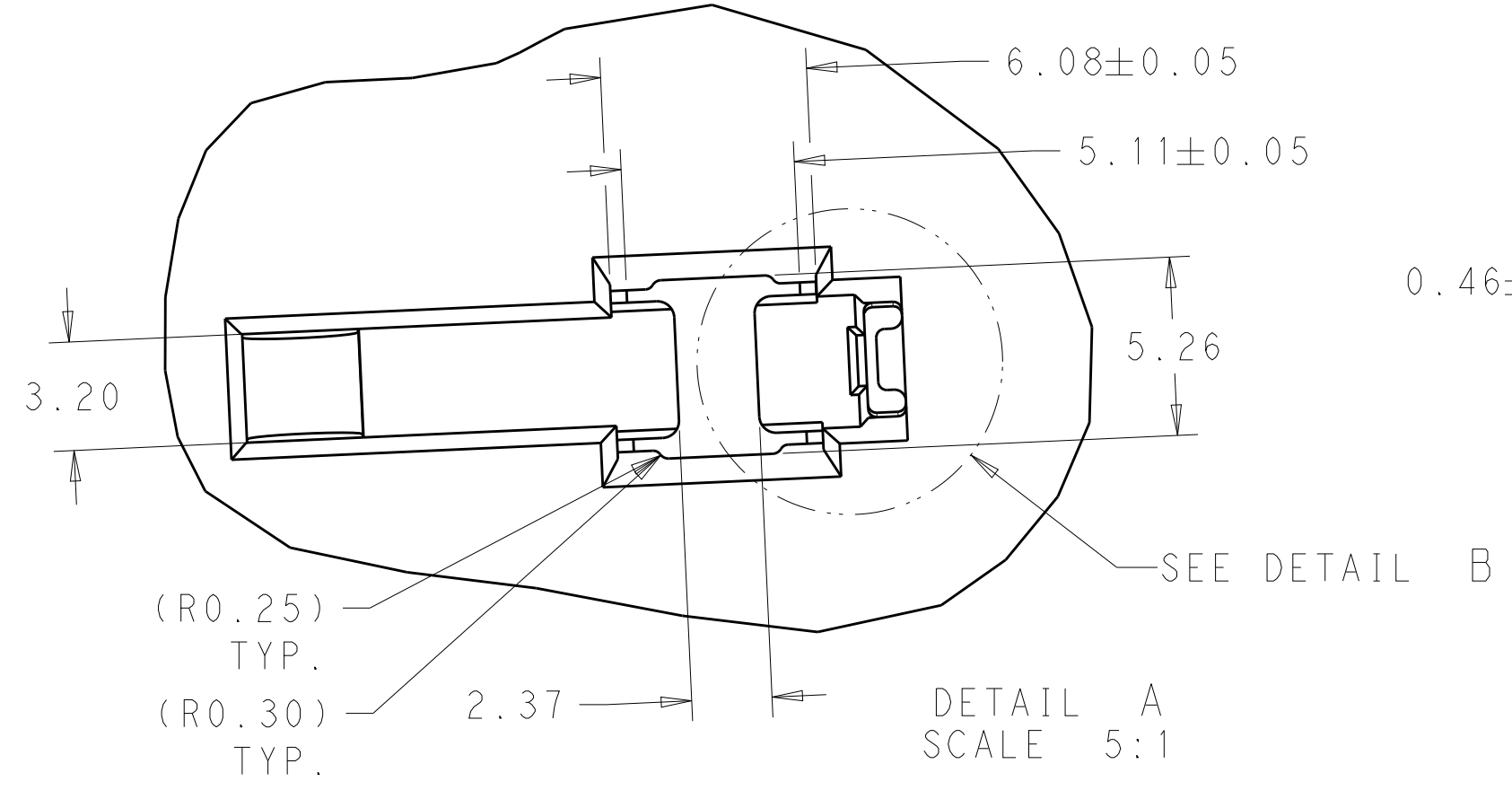
5.35 MAX

THIS DRAWING IS A CONTROLLED DOCUMENT.		DWN J. SHAFFER 05MAY2014	TE Connectivity	
DIMENSIONS: mm		CHK E. HOWARD 05MAY2014		
TOLERANCES UNLESS OTHERWISE SPECIFIED:		APVD E. HOWARD 05MAY2014	NAME DIMMABLE PHOTOCONTROL BRUSH CONTACT	
0 PLC $\pm$		PRODUCT SPEC	SIZE	
1 PLC $\pm$		APPLICATION SPEC	CAGE CODE	
2 PLC $\pm 0.13$		WEIGHT	DRAWING NO	
3 PLC $\pm$		Customer Drawing	A200779C-2213497	
4 PLC $\pm$		SCALE	RESTRICTED TO	
ANGLES $\pm$		2:1	-	
FINISH		SHEET	REV	
-		3 OF 4	A1	
-		4	A1	

1471-9 (3/13)

THIS DRAWING IS UNPUBLISHED. RELEASED FOR PUBLICATION 20  
 © COPYRIGHT 20 BY - ALL RIGHTS RESERVED.

REVISIONS				
P	LTR	DESCRIPTION	DATE	APVD
-	-	SEE SHEET 1	-	-



SUGGESTED BRUSH CONTACT POCKET  
 DETAIL AS SHOWN

THIS DRAWING IS A CONTROLLED DOCUMENT.		DWN J. SHAFFER 05MAY2014	TE Connectivity	
DIMENSIONS: mm		CHK E. HOWARD 05MAY2014		
TOLERANCES UNLESS OTHERWISE SPECIFIED:		APVD E. HOWARD 05MAY2014	NAME DIMMABLE PHOTOCONTROL BRUSH CONTACT	
0 PLC ±	1 PLC ±	PRODUCT SPEC -	SIZE A200779	CAGE CODE C-2213497
2 PLC ±0.13	3 PLC ±	APPLICATION SPEC -	RESTRICTED TO -	
4 PLC ±	ANGLES ±	WEIGHT -	SCALE 2:1	SHEET 4 OF 4
MATERIAL -	FINISH -	Customer Drawing	REV A1	

## X-ON Electronics

Largest Supplier of Electrical and Electronic Components

*Click to view similar products for [Lighting Connectors](#) category:*

*Click to view products by [TE Connectivity](#) manufacturer:*

Other Similar products are found below :

[293300-7](#) [293660-5](#) [CNX\\_H03\\_NTP](#) [30-9767-BU](#) [3605](#) [3-21030-1](#) [ZCH-110-RGB-I](#) [503471-0290](#) [ZCH-110-RGB-J](#) [217-0716-200](#)  
[1954563-1](#) [1-293657-2](#) [2834036-1](#) [2834037-1](#) [1-2213222-4](#) [2-2213222-4](#) [2213222-4](#) [2834122-3](#) [2834122-5](#) [2834135-2](#) [FLA-R4142-30](#)  
[FLA-R4162-30](#) [FLA-R2142-30](#) [FLA-R2141-30](#) [FLA-R2162-30](#) [FLA-R2161-30](#) [FLA-R0161-30](#) [FLA-R0141-30](#) [FLA-R0142-30](#) [FLA-](#)  
[R0162-30](#) [FLA-C00-00](#) [DGA00010553](#) [CNXV04NTP](#) [104128-0610](#) [503485-0000 \(Cut Strip\)](#) [503485-0000 \(Loose Piece\)](#) [503485-0000](#)  
[\(MINI Reel\)](#) [1-2834074-2](#) [1-2834074-3](#) [1357-AC PLUG W2C \(CHINA\)](#) [1357-AC PLUG W2 \(USA\)](#) [104266-0110](#) [2106212-1](#) [2-2834074-2](#)  
[104266-0210](#) [293470-1](#) [293651-2](#) [293651-4](#) [1-2834006-2](#) [293651-1](#)