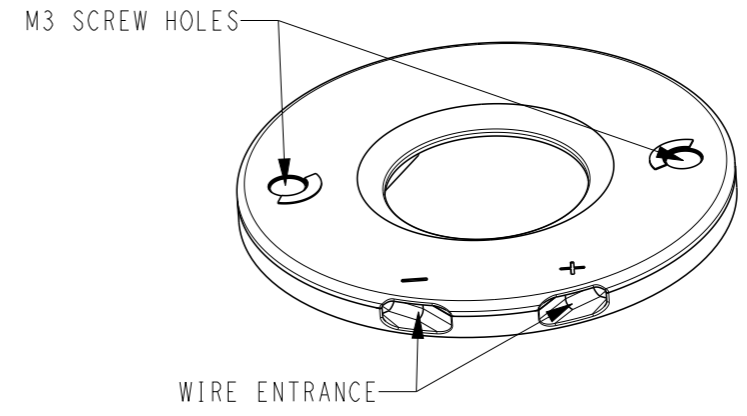
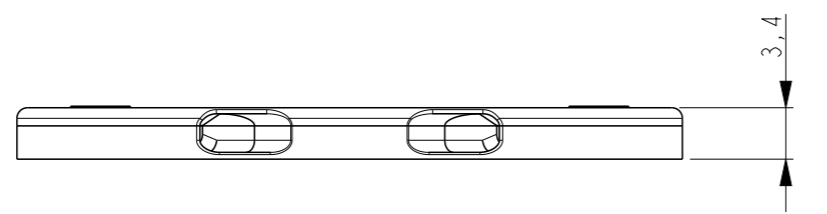
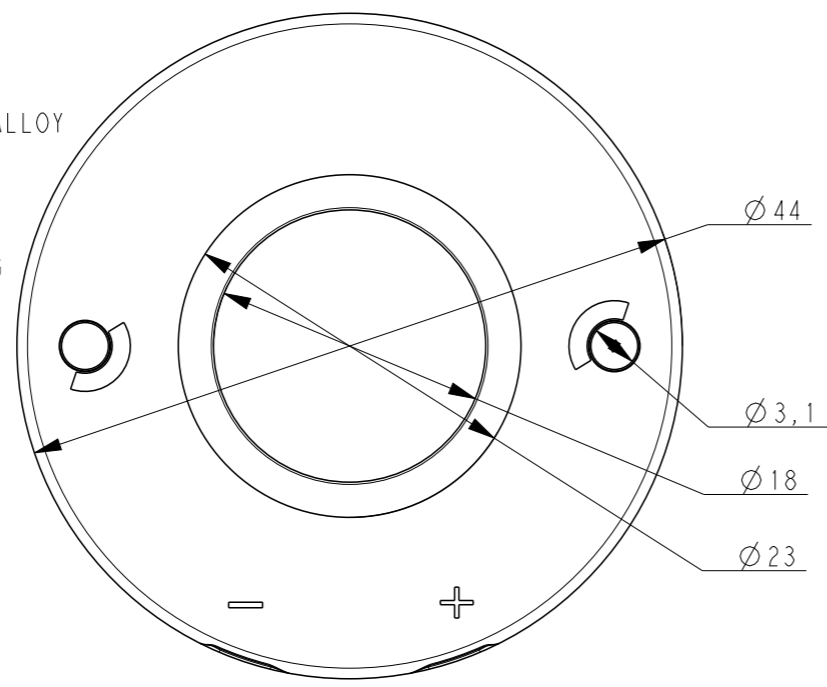


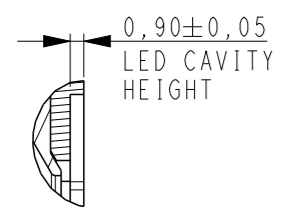
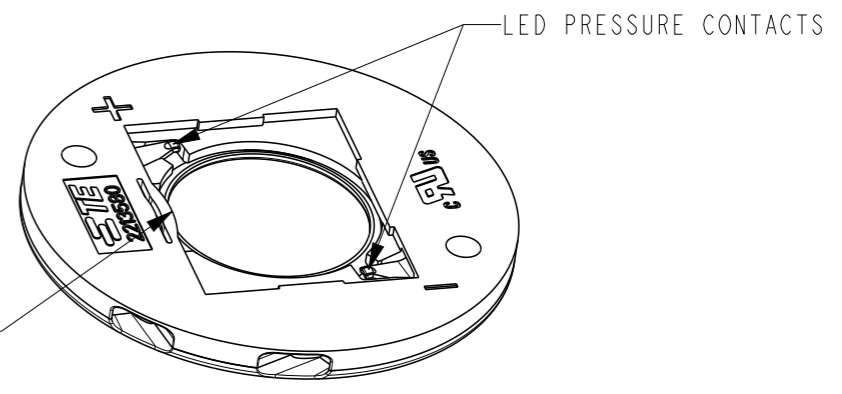
THIS DRAWING IS UNPUBLISHED. RELEASED FOR PUBLICATION  
 © COPYRIGHT - BY TYCO ELECTRONICS CORPORATION. ALL RIGHTS RESERVED.

LOC	DIST	REVISIONS			
P	LTR	DESCRIPTION	DATE	DWN	APVD
	B	ADDED RELEASED LED	06FEB2017	KR	MvE
	C	REVISED PER ECR-17-005513	04APR2017	SK	MVE
	C1	REVISED PER ECR-17-016356	07NOV2017	RK	OL
	C2	REVISED PER ECR-19-017764	21NOV2019	SB	DD

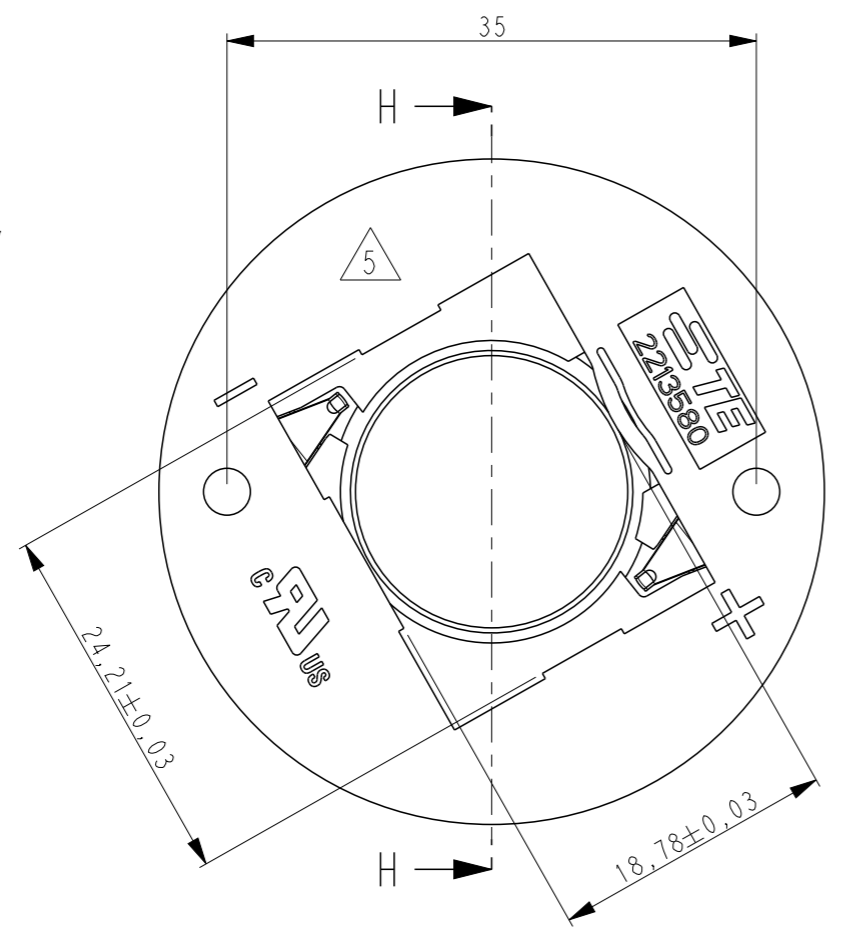
- NOTES:
- MATERIALS:  
HOUSING: GLASS FILLED PBT,  
HALOGEN FREE FLAME RETARDANT,  
COLOR : NATURAL/WHITE  
CONTACTS: SILVER PLATED COPPER ALLOY
  - FOR SOLID AND STRANDED WIRE  
AWG 22-18
  - COMPLIES WITH  
DIRECTIVE 2002/95/EC (ROHS)
  - M3 SCREW TO BE USED FOR MOUNTING
  - DATE CODE YY-WW-D ANY WHERE  
EXCEPT OVER LOGO OR +/- SIGN.
  - FOR COB-TO-HOLDER CROSS  
REFERENCE, REFER TO APPLICATION  
SPECIFICATION 114-32208



SCALE 3:2



SECTION H-H



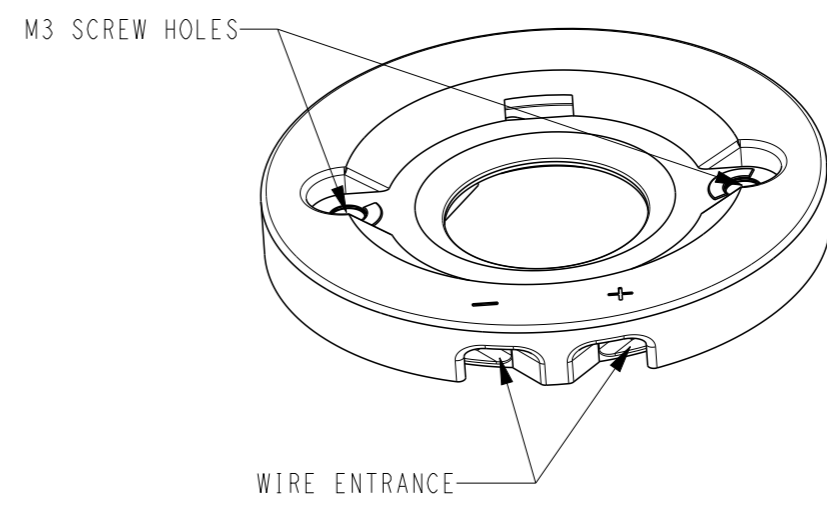
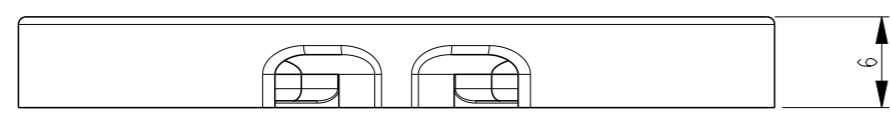
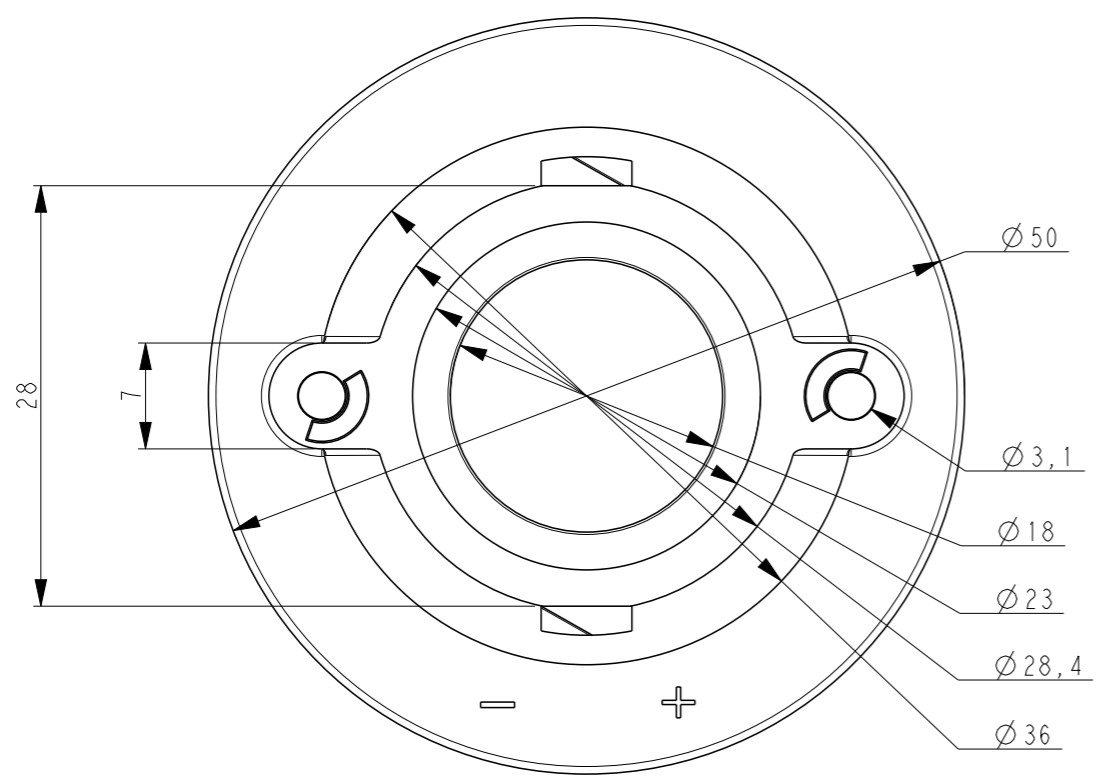
2213580-1 AS SHOWN  
LUMAWISE LED HOLDER Z50 LOW PROFILE

LUMAWISE LED HOLDER Z50 STANDARD PROFILE 1924	2213580-2
LUMAWISE LED HOLDER Z50 LOW PROFILE 1924	2213580-1
DESCRIPTION	PART NO

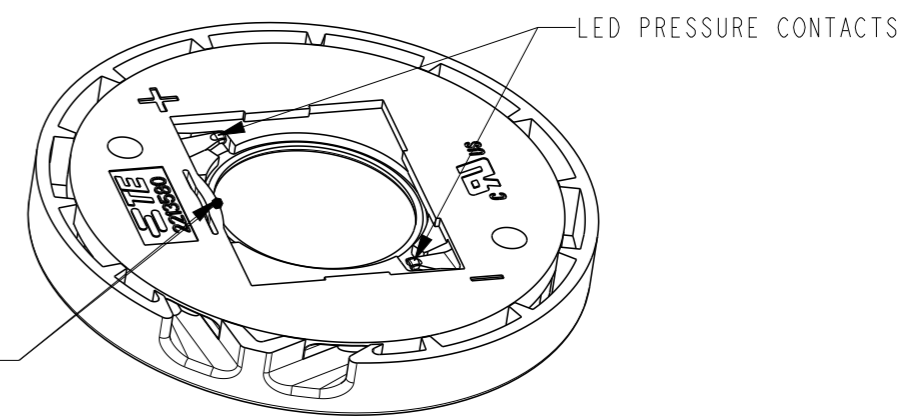
THIS DRAWING IS A CONTROLLED DOCUMENT. DIMENSIONING AND TOLERANCING PER ASME Y14.5M-2009.		DWN M.V.ESSEN 3 NOV '14	TE Connectivity		
DIMENSIONS: mm		CHK C.V.STEENDEREN 6 NOV '14			
TOLERANCES UNLESS OTHERWISE SPECIFIED:		APVD O.IEIJNSE 7 NOV '14			
0 PLC ±- 1 PLC ±- 2 PLC ±- 3 PLC ±- 4 PLC ±- ANGLES ±-		PRODUCT SPEC 108-133008	NAME LUMAWISE LED HOLDER Z50 1924		
MATERIAL - FINISH -		APPLICATION SPEC 114-32048	SIZE A3	CAGE CODE 00779	DRAWING NO C-2213580
		WEIGHT -	RESTRICTED TO -		
		Customer Drawing	SCALE 2:1	SHEET 1 OF 3	REV C2

THIS DRAWING IS UNPUBLISHED. RELEASED FOR PUBLICATION  
 © COPYRIGHT - BY TYCO ELECTRONICS CORPORATION. ALL RIGHTS RESERVED.

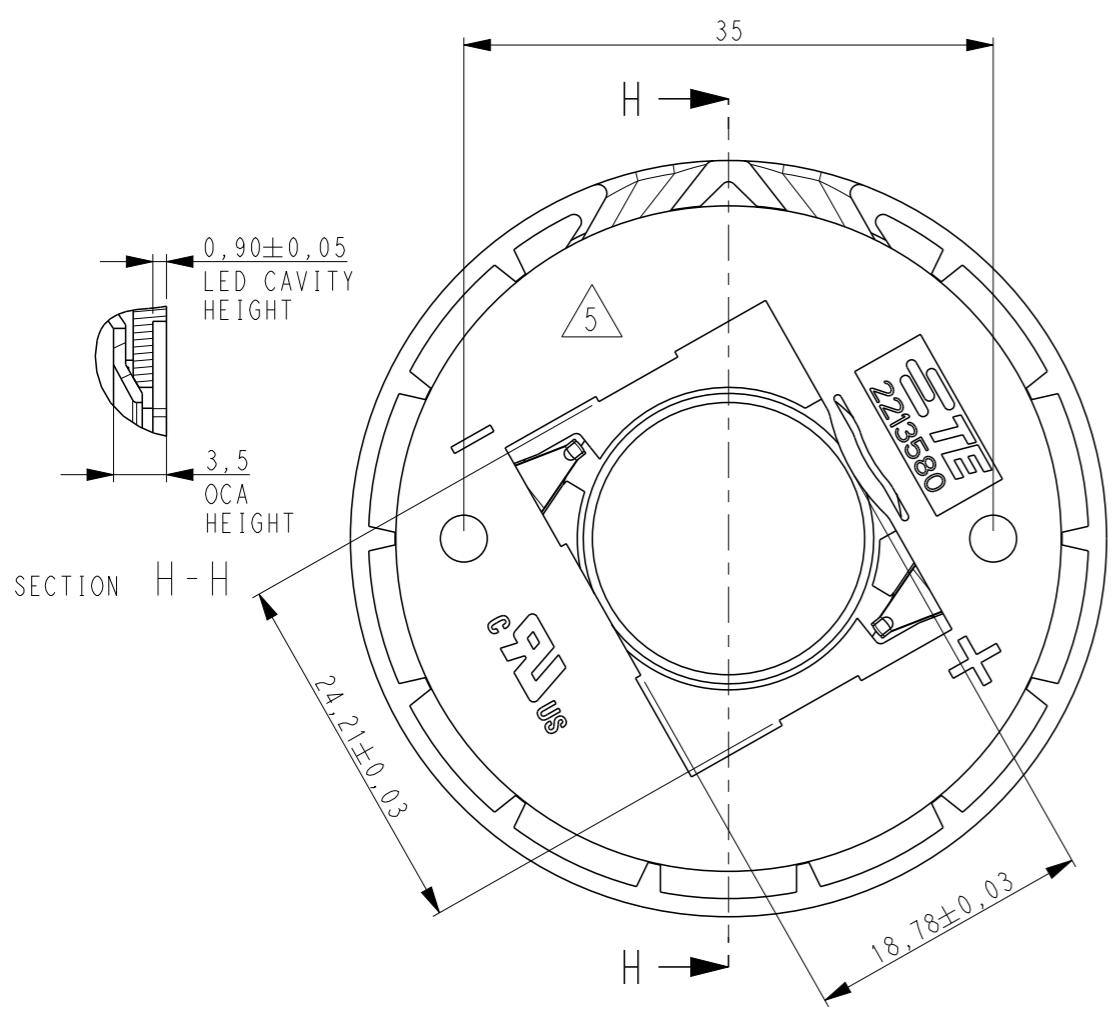
LOC	DIST	REVISIONS					
H	-	P	LTR	DESCRIPTION	DATE	DWN	APVD
			-	SEE SHEET 1	-	-	-



SCALE 3:2



2213580-2 AS SHOWN  
 LUMAWISE LED HOLDER Z50 STANDARD PROFILE



THIS DRAWING IS A CONTROLLED DOCUMENT.		DWN M.V.ESSSEN 3 NOV'14	TE Connectivity	
DIMENSIONS: mm		CHK C.V.STEENDEREN 6 NOV'14		
TOLERANCES UNLESS OTHERWISE SPECIFIED:		APVD O.I.FIJNSE 7 NOV'14	NAME LUMAWISE LED HOLDER Z50 1924	
0 PLC ±- 1 PLC ±- 2 PLC ±- 3 PLC ±- 4 PLC ±- ANGLES ±-		PRODUCT SPEC 108-133008	RESTRICTED TO	
MATERIAL -		APPLICATION SPEC 114-32048	SIZE A3	CAGE CODE 00779
FINISH -		WEIGHT -	DRAWING NO C-2213580	
		Customer Drawing	SCALE 2:1	SHEET 2 OF 3
			REV C2	

THIS DRAWING IS UNPUBLISHED.

RELEASED FOR PUBLICATION

© COPYRIGHT - BY TYCO ELECTRONICS CORPORATION. ALL RIGHTS RESERVED.

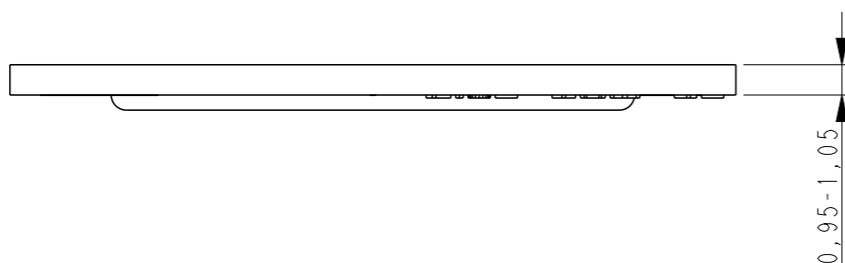
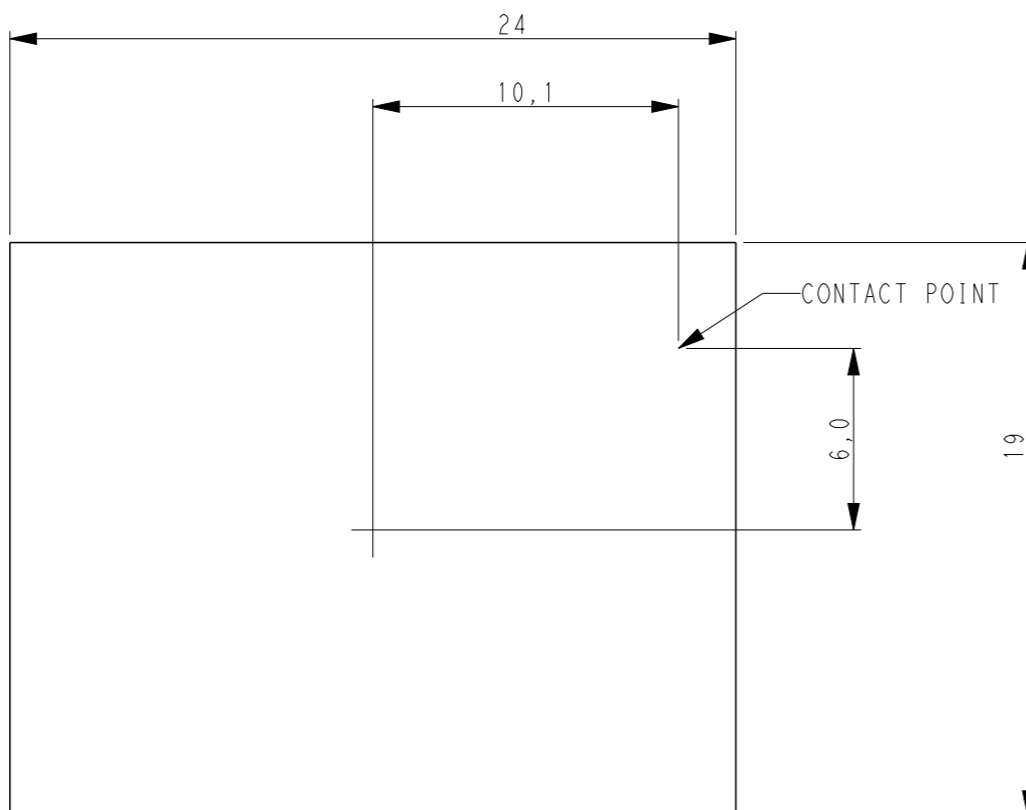
LOC  
H

DIST  
-

REVISIONS

P	LTR	DESCRIPTION	DATE	DWN	APVD
-	-	SEE SHEET 1	-	-	-

THE SKETCH BELOW IS SHOWING THE NOMINAL LED COB DIMENSIONS TO MATCH WITH THE LUMAWISE LED HOLDER Z50 1924.  
FOR TECHNICAL DETAILS ABOUT A PROPER MATCH WITH A SPECIFIC LED COB ARRAY PLEASE CONTACT A REPRESENTATIVE AT TE-CONNECTIVITY.



THIS DRAWING IS A CONTROLLED DOCUMENT.

DIMENSIONS:	TOLERANCES UNLESS OTHERWISE SPECIFIED:
mm	
	0 PLC ±-
	1 PLC ±-
	2 PLC ±-
	3 PLC ±-
	4 PLC ±-
	ANGLES ±-

MATERIAL - FINISH -

DWN M.V.ESSSEN 3 NOV'14

CHK C.V.STEENDEREN 6 NOV'14

APVD O.IEIJNSE 7 NOV'14

PRODUCT SPEC

108-133008

APPLICATION SPEC

114-32048

WEIGHT -

**STE** TE Connectivity

NAME LUMAWISE LED HOLDER Z50 1924

SIZE A3 CAGE CODE 00779 DRAWING NO C-2213580 RESTRICTED TO -

Customer Drawing SCALE 2:1 SHEET 3 OF 3 REV C2

## X-ON Electronics

Largest Supplier of Electrical and Electronic Components

*Click to view similar products for [LED Lighting Mounting Accessories](#) category:*

*Click to view products by [TE Connectivity](#) manufacturer:*

Other Similar products are found below :

[C16142\\_HEKLA-SOCKET-K](#) [3SU1401-1BG20-1AA0](#) [3SU1900-0BC31-0NB0](#) [ES16-RT](#) [1SFA616921R2042](#) [1SFA616921R2131](#)  
[1SFA616921R2133](#) [1SFA616921R2143](#) [1SFA611621R1093](#) [B8910020](#) [D3980022](#) [E3990022](#) [E3990040](#) [CABI12 E BK 1M SET PRM](#)  
[FLAT8 H/U BK 1M SET PRM](#) [BEGTIN12 J/S BK 1M SET PRM](#) [1-2213678-6](#) [C16791\\_CLAMP-Z45-A](#) [F17250\\_SOLDER-CLIP-A](#) [CM22-](#)  
[4-20MA](#) [CM22-R10K-MT](#) [CM22-R1K](#) [CM22-R50K](#) [CM22-R5K-MT](#) [CM22-SLR](#) [10465](#) [M22-A](#) [M22-CK11](#) [M22-CK20](#) [M22G-XGPV](#)  
[M22-K01](#) [M22-LCH-W](#) [M22-LC-R](#) [M22-LED230-R](#) [M22-LED230-W](#) [M22-LEDC230-G](#) [M22-LEDC-G](#) [M22-LEDC-W](#) [M22-LED-G](#)  
[M22-LED-W](#) [M22-L-G](#) [M22-LH-G](#) [M22-LH-R](#) [M22-LH-W](#) [M22-L-R](#) [M22-L-W](#) [M22-L-X](#) [M22-MS](#) [M22-R10K](#) [M22-R1K](#)