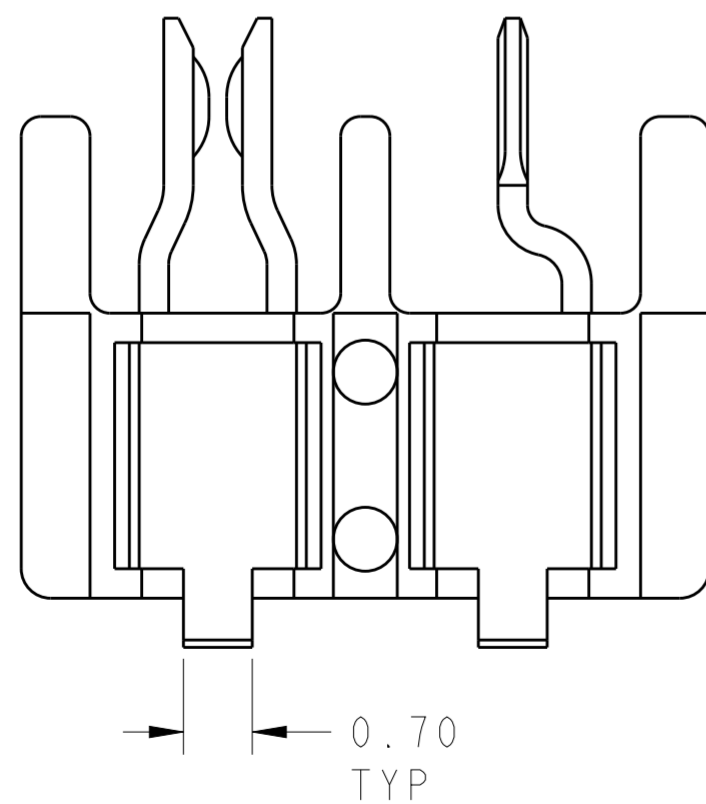
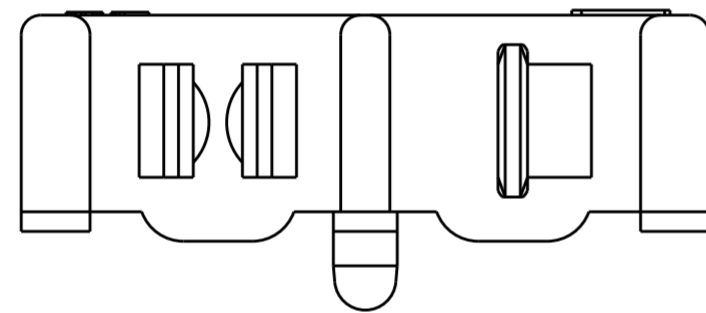
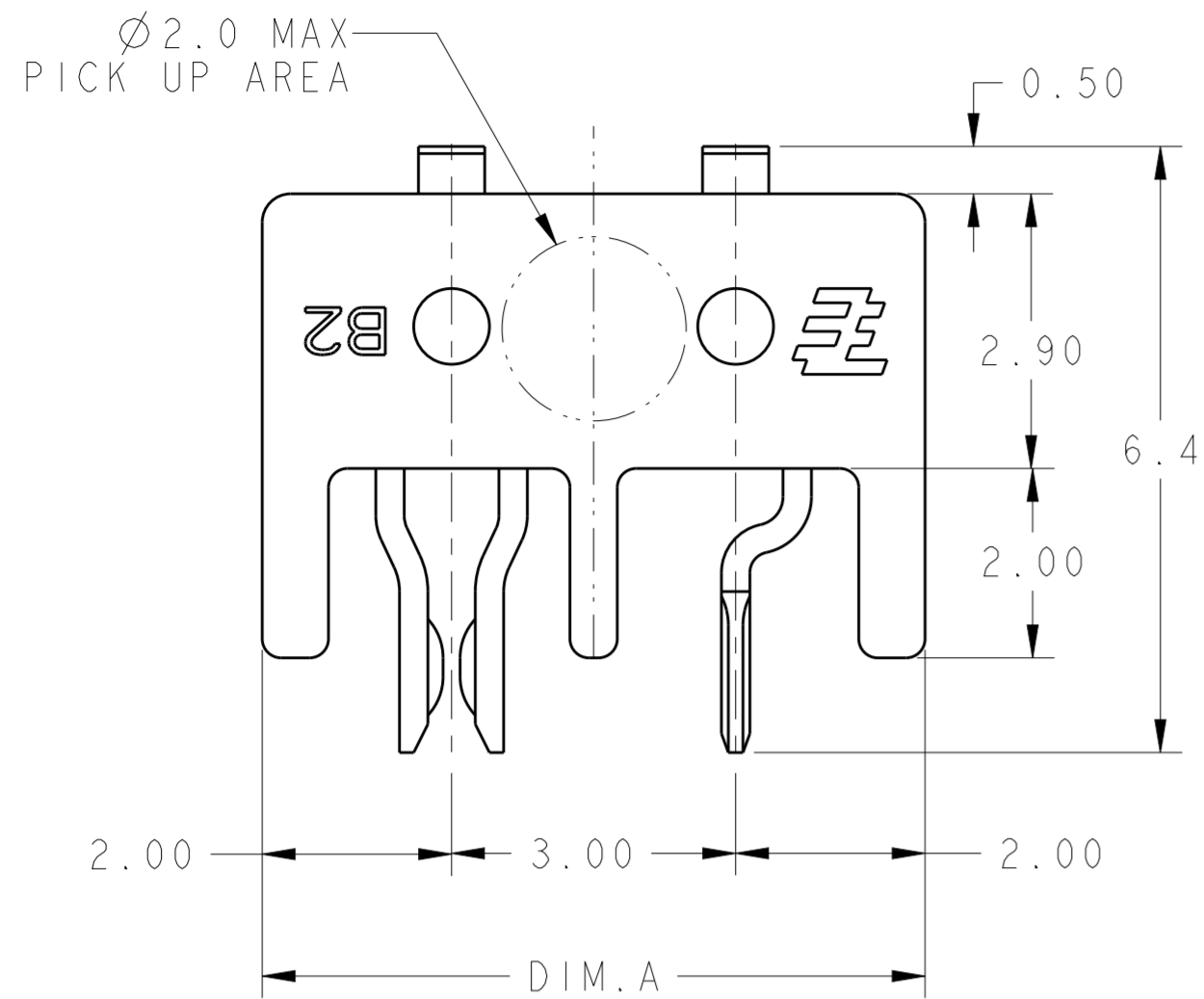
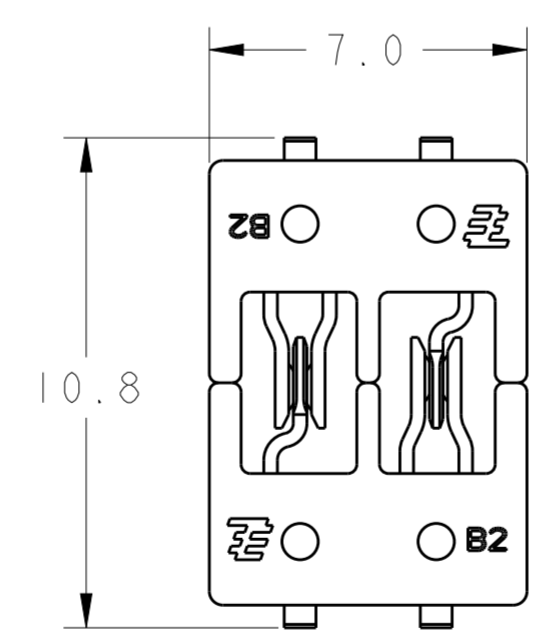
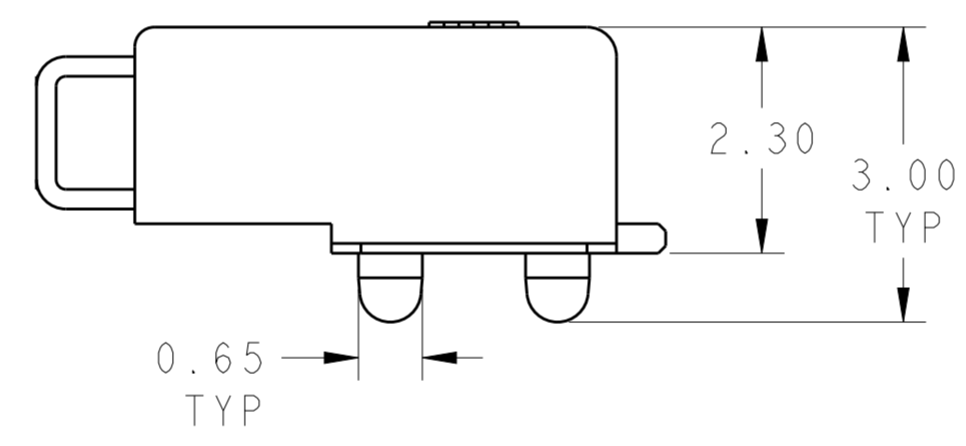
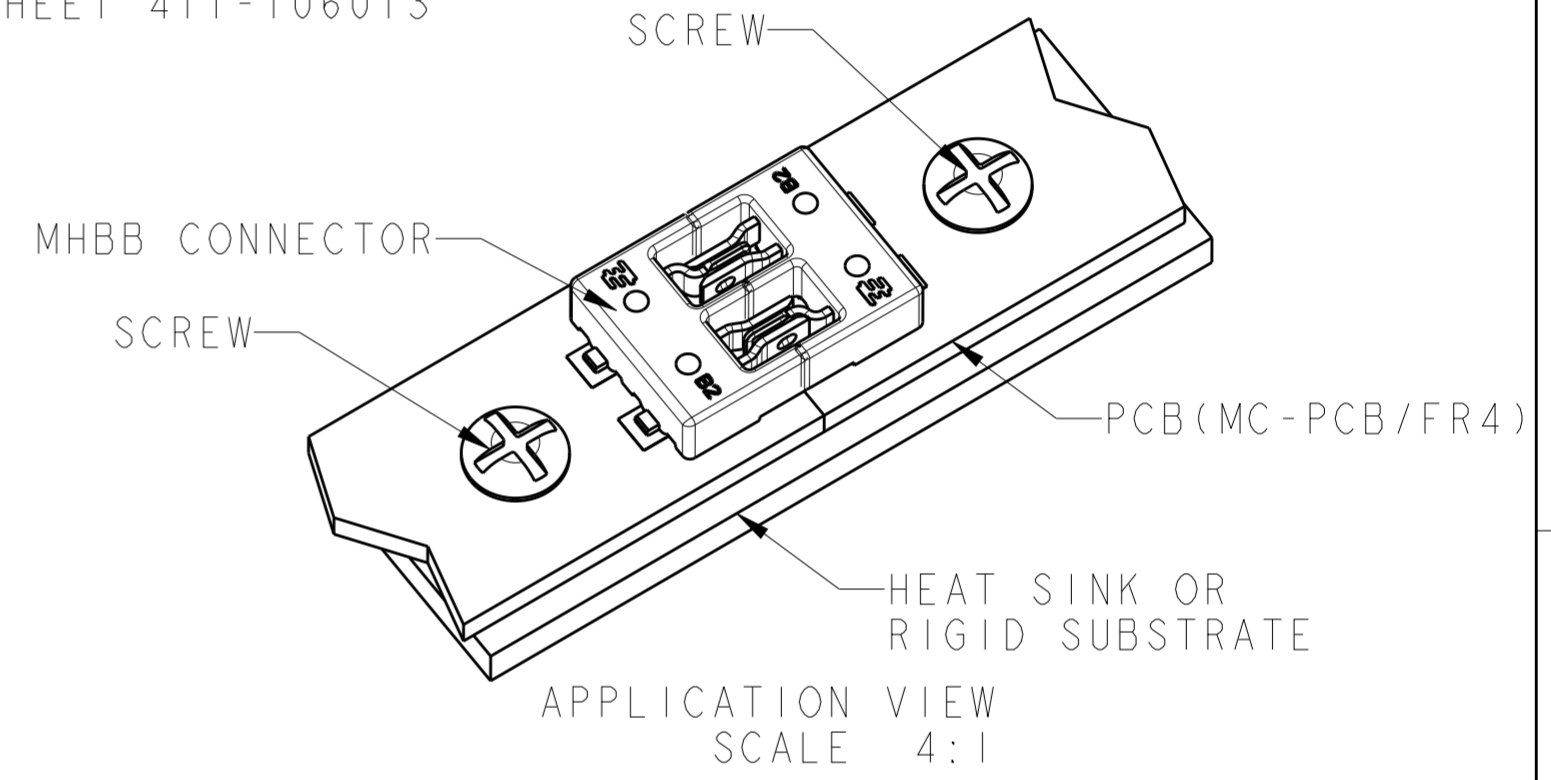
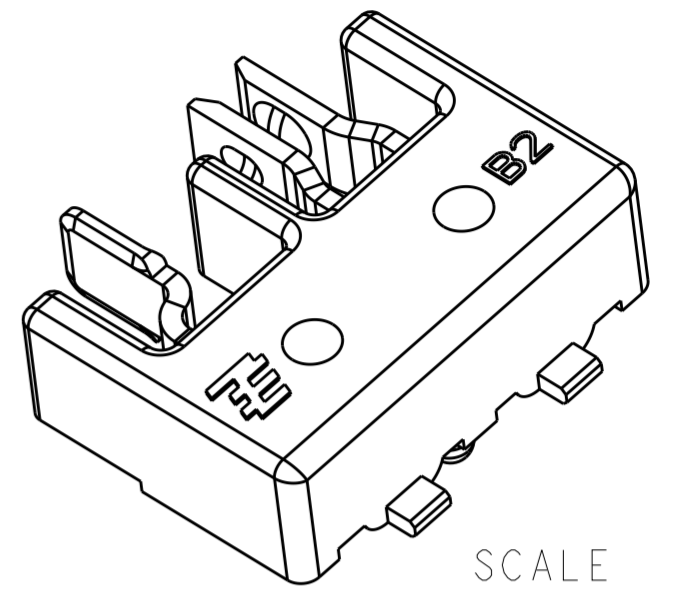


THIS DRAWING IS UNPUBLISHED. RELEASED FOR PUBLICATION 20
 © COPYRIGHT 20 BY - ALL RIGHTS RESERVED.

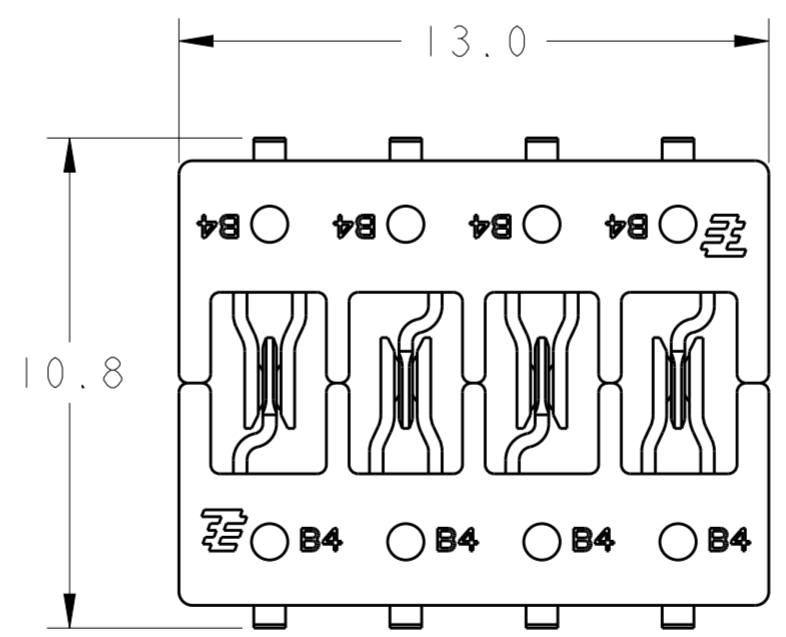
LOC		DIST		REVISIONS			
P	LTR	DESCRIPTION	DATE	DWN	APVD		
A		REVISED PER ECR-16-004163	29MAR2016	RS	DD		
AI		REVISED PER ECR-16-009104	23JUN2016	RS	DD		



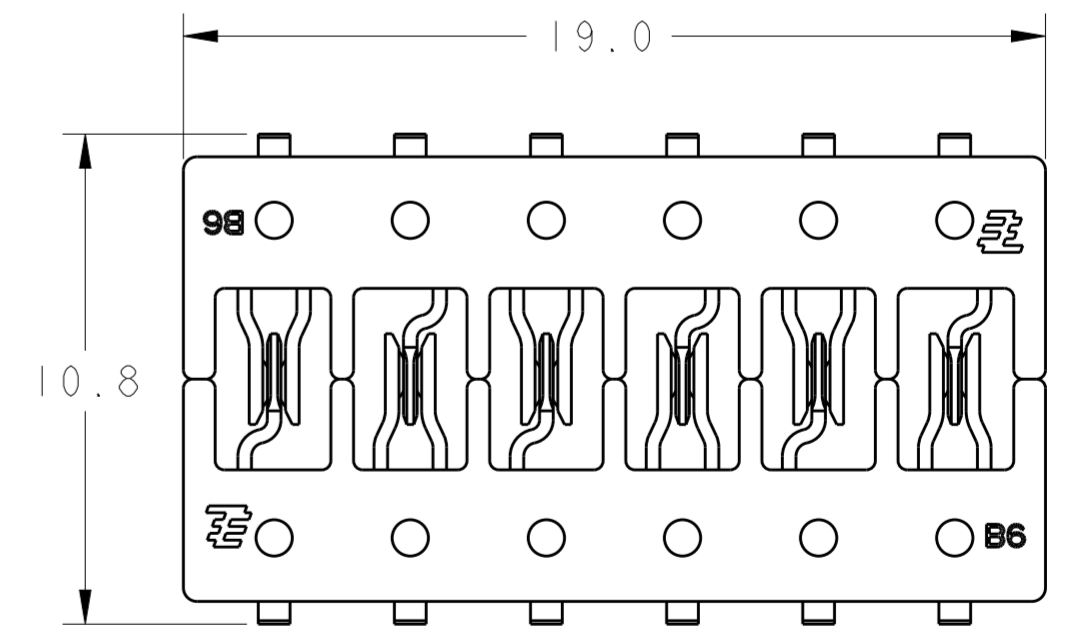
- NOTES:
1. PACKAGED IN TAPE AND REEL PER IEA-481 SPECIFICATIONS.
 2. MATERIAL AND FINISH:
 -HOUSING: THERMAL PLASTIC
 -PIN CONTACT: BRASS
 -SOCKET CONTACT: COPPER ALLOY
 -FINISH: SELECT GOLD OVER NICKEL.
 3. SUITABLE FOR SMT PROCESS.
 4. TO ENSURE THE FUNCTION OF THE MINIATURE HERMAPHRODITIC B-B CONNECTORS, THE PCB WITH MINIATURE HERMAPHRODITIC B-B CONNECTORS SHOULD BE FIXED ON THE HEAT SINK OR SOME OTHER RIGID SUBSTRATE. CUSTOMER CAN USE SCREW (SHOW AS APPLICATION VIEW), GLUE, OR SOME OTHER METHOD TO FIX THE PCBs. FOR DETAIL PLEASE REFER TO INSTRUCTION SHEET 411-106013



2213611-1 (2 MATING PARTS)
SCALE 6:1



2213611-2 (2 MATING PARTS)
SCALE 6:1



2213611-3 (2 MATING PARTS)
SCALE 6:1

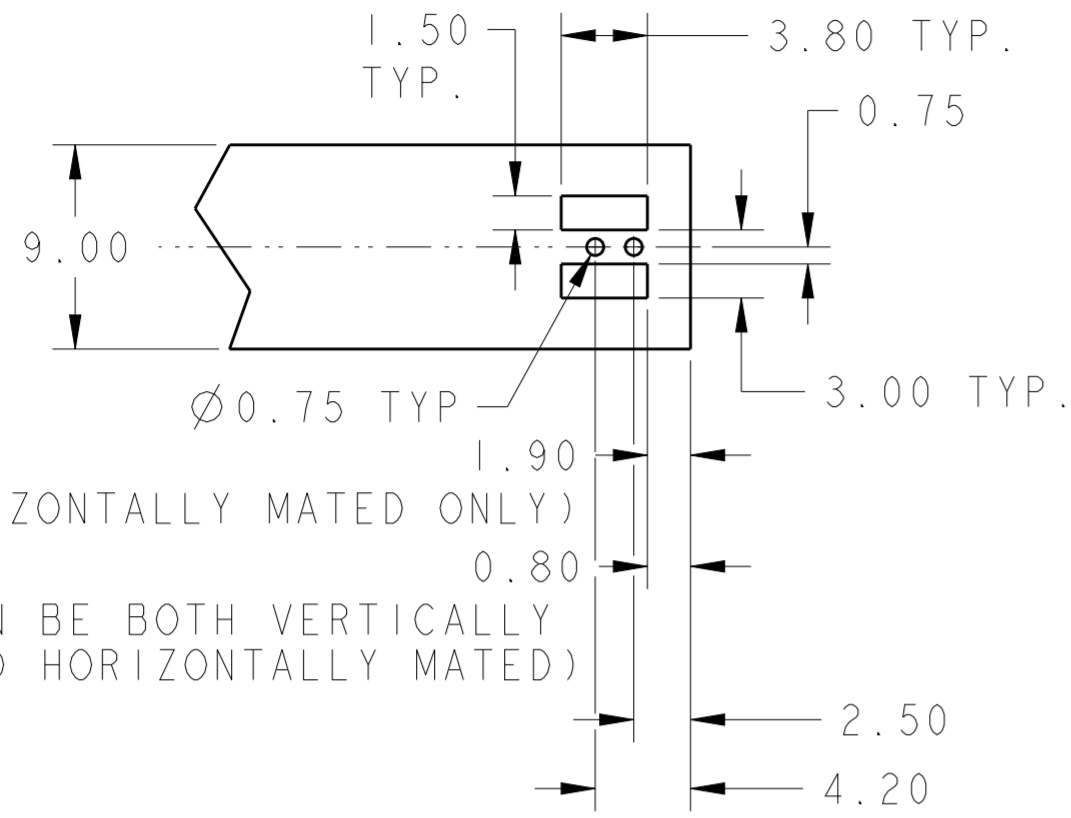
NATURAL	6P	19.0	2213611-3
NATURAL	4P	13.0	2213611-2
NATURAL	2P	7.0	2213611-1
COLOR	POSITION	DIM A	PART NO

THIS DRAWING IS A CONTROLLED DOCUMENT.

DIMENSIONS:	TOLERANCES UNLESS OTHERWISE SPECIFIED:	DWN	26DEC2014	TE Connectivity NAME: MINIATURE HERMAPHRODITIC BOARD TO BOARD CONNECTOR			
mm	0 PLC ±0.5	CHK	26DEC2014				
	1 PLC ±0.13	APVD	26DEC2014				
	2 PLC ±0.13	APVD	26DEC2014				
	3 PLC ±0.013	PRODUCT SPEC	108-106050	SIZE	CAGE CODE	DRAWING NO	RESTRICTED TO
	4 PLC ±0.0001	APPLICATION SPEC	114-106050	A2	00779	C-2213611	-
MATERIAL	FINISH	WEIGHT	-	CUSTOMER DRAWING		SCALE	13:1
						SHEET	1 OF 2
						REV	AI

THIS DRAWING IS UNPUBLISHED. RELEASED FOR PUBLICATION 20
 © COPYRIGHT 20 BY - ALL RIGHTS RESERVED.

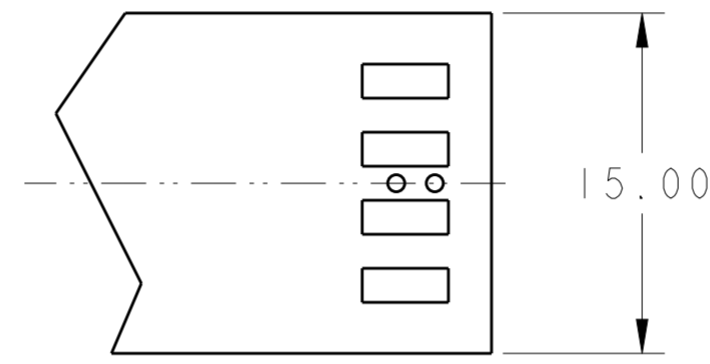
LOC		DIST		REVISIONS			
P	LTR	DESCRIPTION	DATE	DWN	APVD		
-	-	SEE SHEET 1	-	-	-		



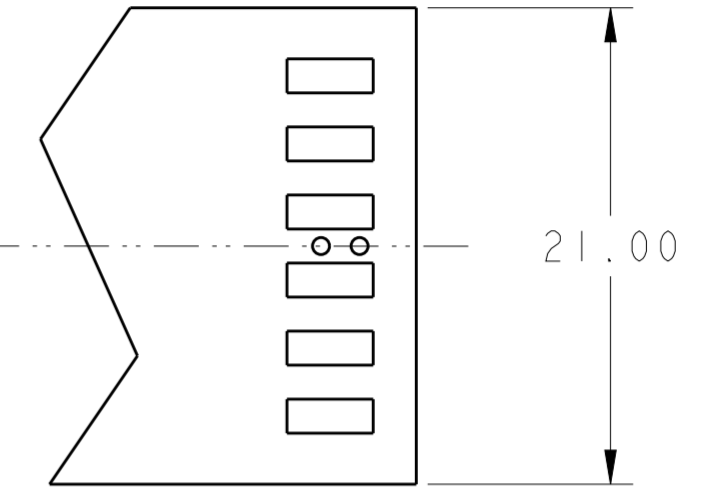
(TYPE 1: HORIZONTALLY MATED ONLY)

(TYPE 2: CAN BE BOTH VERTICALLY AND HORIZONTALLY MATED)

RECOMMENDED PCB LAYOUT FOR 2213611-1 (±0.10mm)
SCALE 3:1

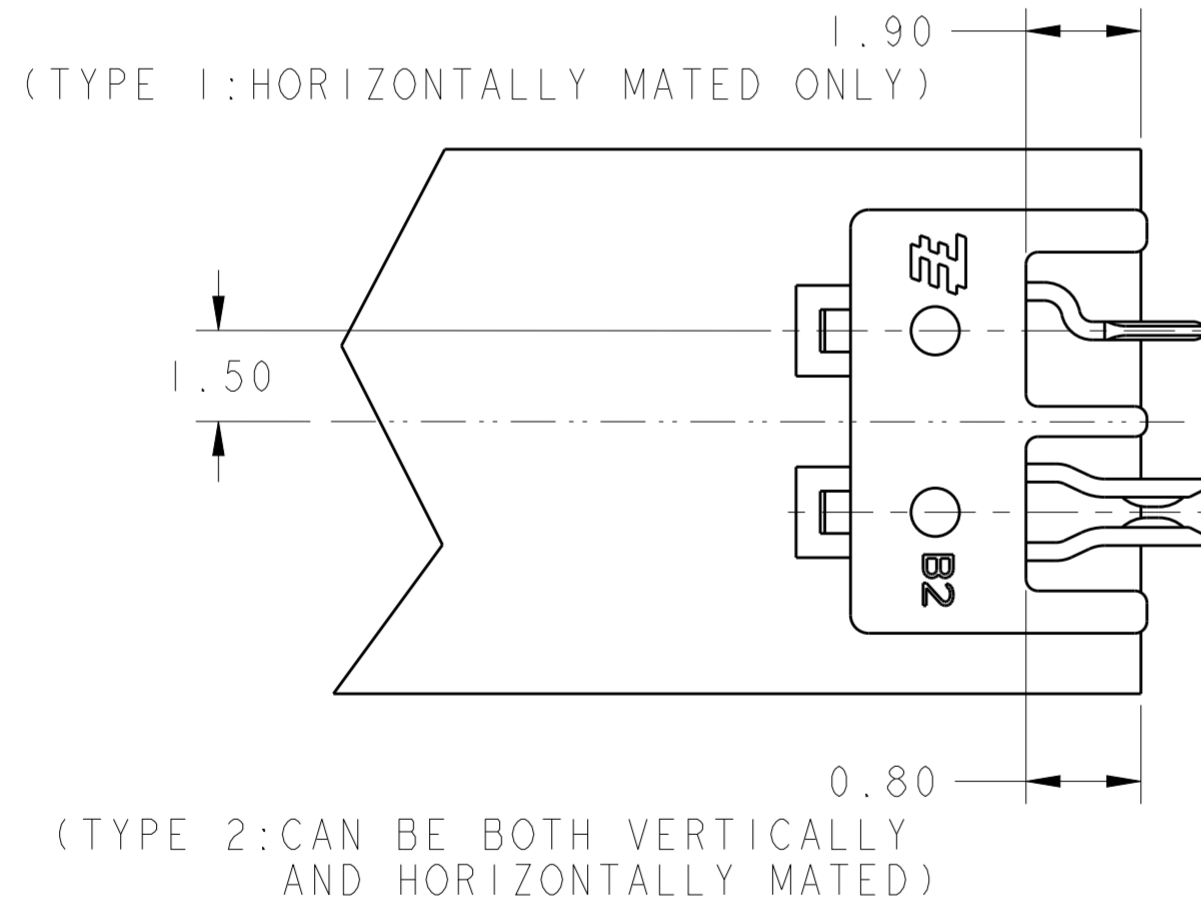


RECOMMENDED PCB LAYOUT FOR 2213611-2 (±0.10mm)
SCALE 3:1



RECOMMENDED PCB LAYOUT FOR 2213611-3 (±0.10mm)
SCALE 3:1

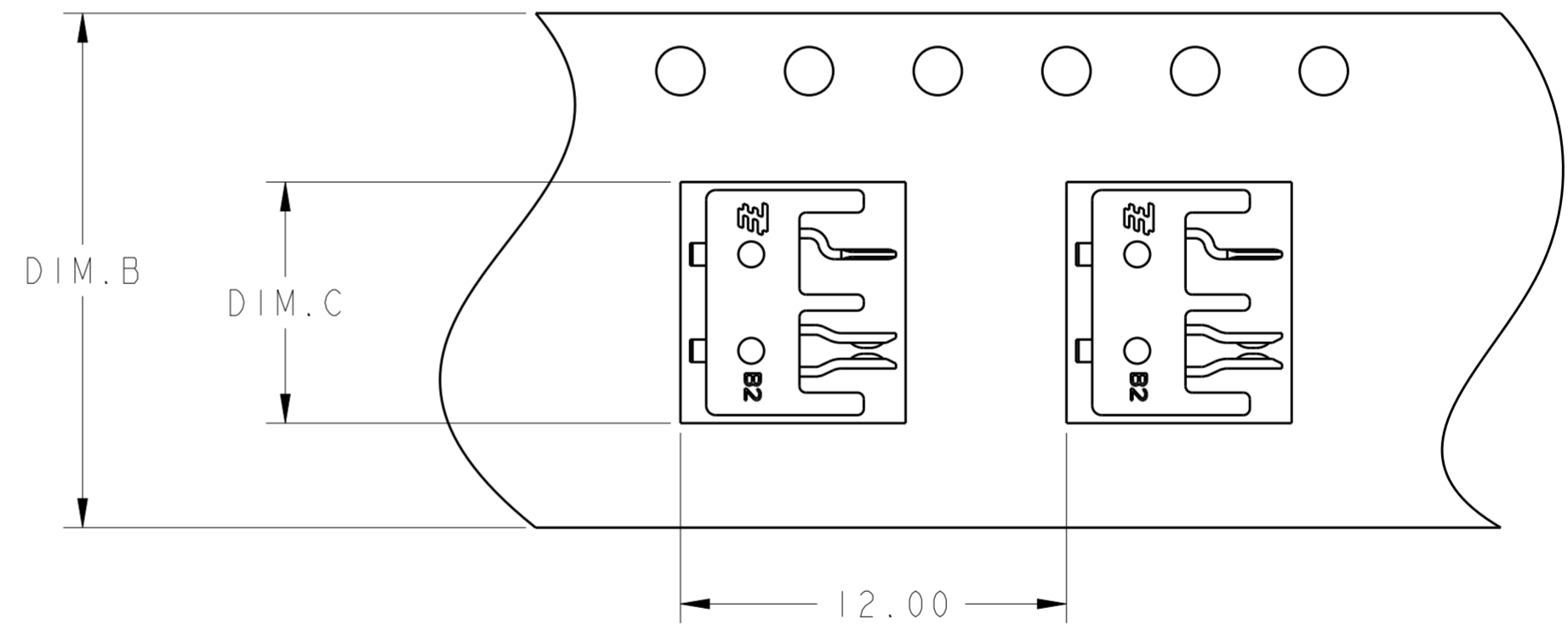
ALL FEATURES AND DIMENSIONS OF PCB LAYOUT FOR 2213611-2, 2213611-3 ARE THE SAME AS PCB LAYOUT FOR 2213611-1 EXCEPT AS SHOWN



(TYPE 1: HORIZONTALLY MATED ONLY)


(TYPE 2: CAN BE BOTH VERTICALLY AND HORIZONTALLY MATED)

SOLDERING LAYOUT (±0.10mm)
SCALE 8:1



TO BE PACKAGED AS SHOWN (±0.10mm)
SCALE 5:1

6P	19.30	32.00	2213611-3
4P	13.30	24.00	2213611-2
2P	7.30	16.00	2213611-1
POSITION	DIM.C	DIM.B	FOR P/N

THIS DRAWING IS A CONTROLLED DOCUMENT.		DWN RAVLS 26DEC2014	 TE Connectivity	
DIMENSIONS: mm		CHK DONALD DECKER 26DEC2014		
TOLERANCES UNLESS OTHERWISE SPECIFIED:		APVD DONALD DECKER 26DEC2014	NAME MINIATURE HERMAPHRODITIC BOARD TO BOARD CONNECTOR	
0 PLC ±- 1 PLC ±0.5 2 PLC ±0.13 3 PLC ±0.013 4 PLC ±0.0001 ANGLES ±- FINISH -		PRODUCT SPEC 108-106050	SIZE A200779	
MATERIAL		APPLICATION SPEC 114-106050	DRAWING NO C-2213611	
		WEIGHT	RESTRICTED TO	
		CUSTOMER DRAWING	SCALE 3:1 SHEET 2 OF 2 REV A1	

X-ON Electronics

Largest Supplier of Electrical and Electronic Components

Click to view similar products for [Board to Board & Mezzanine Connectors](#) category:

Click to view products by [TE Connectivity](#) manufacturer:

Other Similar products are found below :

[589158040000018](#) [MDF7C-18P-2.54DSA\(55\)](#) [FCN-230C068-11](#) [FCN-268F012-G/BD](#) [FCN-268F036-G/BD](#) [FCN-268M012-G/0D](#) [FCN-268M024-G/1D](#) [FCN-723J004/1](#) [MIS-048-01-F-D-DP-K](#) [832-10-034-10-001000](#) [FX4C-80S-1.27DSA](#) [FCN-214Q030-G/0](#) [FCN-234P048-G/0](#) [FCN-235D050-G/C](#) [210-93-314-41-105000](#) [2-22603-0](#) [MDF7-40DP-2.54DSA\(55\)](#) [AXG720047](#) [5031084030](#) [MIT-114-03-F-D-K](#) [55323-1519](#) [DF33-2P-3.3DSA\(24\)](#) [YFT-20-05-H-03-SB-K](#) [503308-3040](#) [026-6203-PDB](#) [027-6203-PDB](#) [069159702701000](#) [10123981-102LF](#) [101A10019X](#) [55650-0588-C](#) [68682-310LF](#) [68684-306](#) [75140-7012](#) [87471-650](#) [194261-1](#) [FCN-268F024-G0D](#) [10124054-515LF](#) [68685-603](#) [8-1616154-3](#) [MIS-019-01-F-D](#) [FCN-268M024-G/3D](#) [20021832-06016C1LF](#) [KX15-20KLDL-E1000E](#) [MDF7-16DP-2.54DSA\(55\)](#) [AXE810124](#) [FCN-214J100-G/0](#) [FCN-230C068-E/S](#) [AXE812124](#) [AXE816124](#) [AXE720127](#)