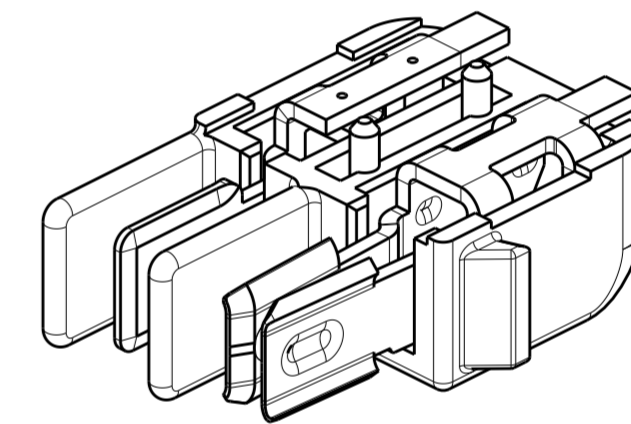
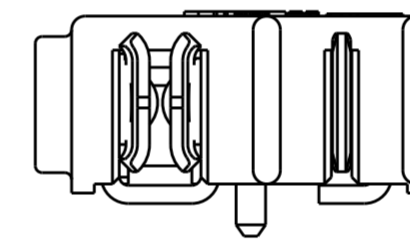
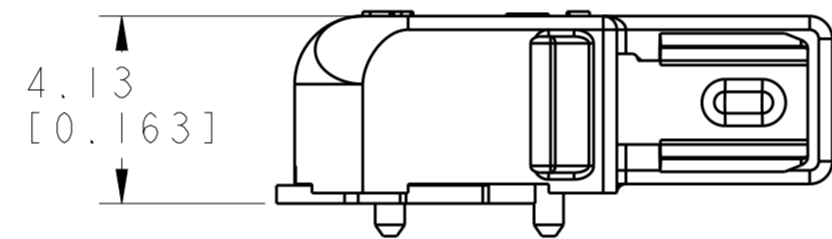
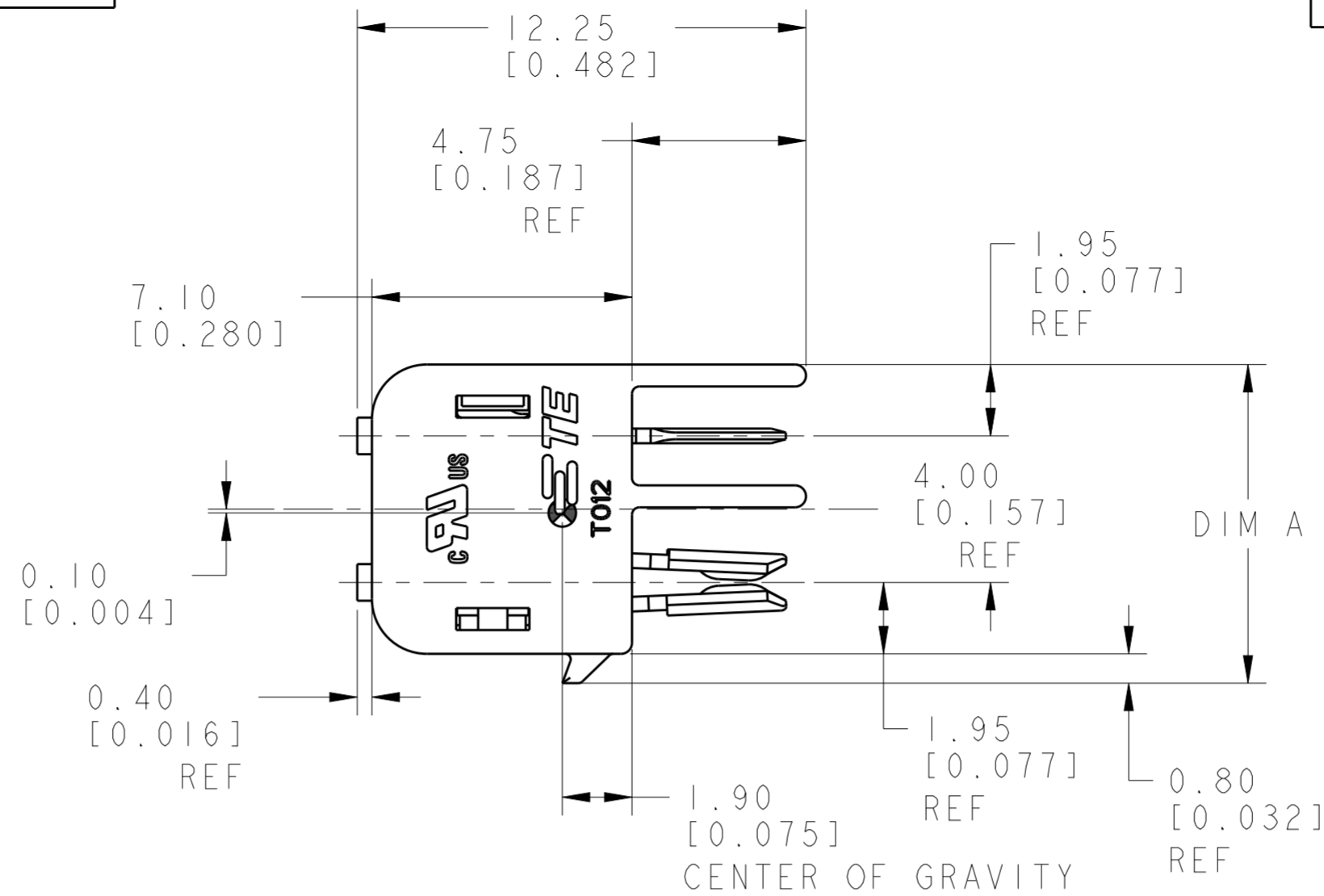


THIS DRAWING IS UNPUBLISHED. RELEASED FOR PUBLICATION 20  
 © COPYRIGHT 20 BY - ALL RIGHTS RESERVED.

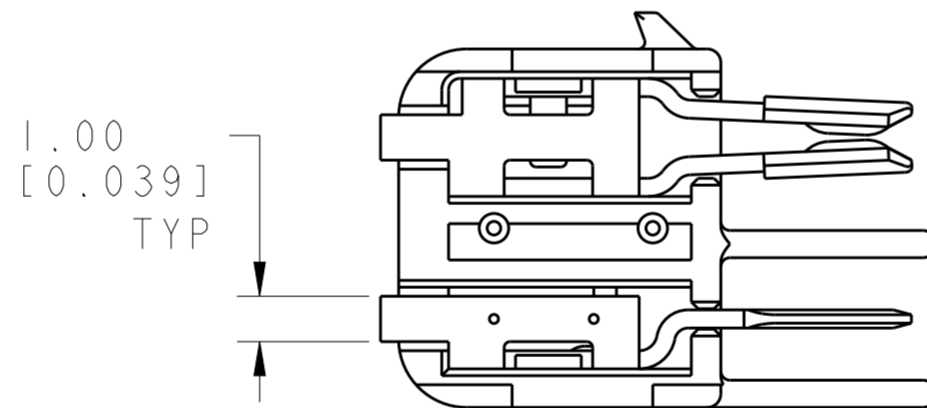
LOC		DIST		REVISIONS			
P	LTR	DESCRIPTION	DATE	DWN	APVD		
	A	REVISED PER ECR-16-005567	19APR2016	RS	DD		
	AI	REVISED PER ECR-16-010299	20JUL2016	RS	PO		

NOTES:

- 1. MATERIALS AND FINISH
  - HOUSING: LCP
  - CONTACTS: COPPER ALLOY, FINISH: TIN AND SELECT GOLD
- 2. PRODUCT TO COMPLY WITH DIRECTIVE 2002/95/EC (ROHS)
- 3. PACKAGED IN TAPE AND REEL



2213617-1/  
1-2213617-1  
SHOWN

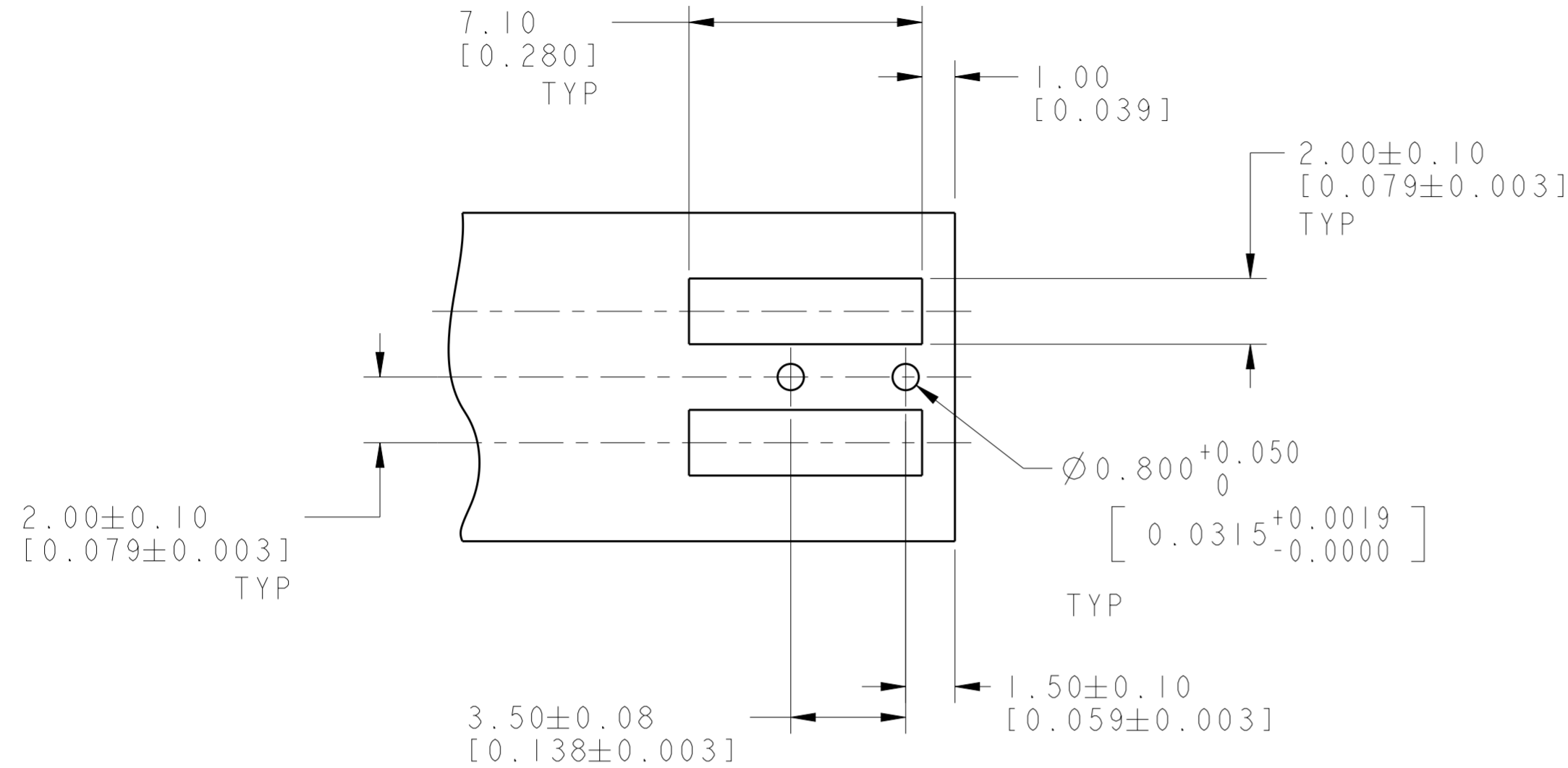


6	BLACK	24.70	1-2213617-3
4	BLACK	16.70	1-2213617-2
2	BLACK	8.70	1-2213617-1
6	NATURAL	24.70	2213617-3
4	NATURAL	16.70	2213617-2
2	NATURAL	8.70	2213617-1
POSITION	COLOR	DIM A	PART NO.

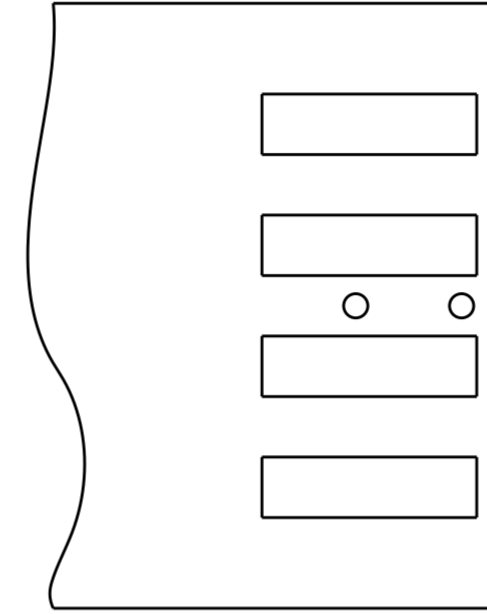
THIS DRAWING IS A CONTROLLED DOCUMENT.		DWN RAVLS 22 JAN 2015	TE Connectivity	
DIMENSIONS: mm		CHK D. DECKER 22 JAN 2015		
TOLERANCES UNLESS OTHERWISE SPECIFIED:		APVD D. DECKER 22 JAN 2015	NAME CONNECTOR ASSEMBLY, HERMAPHRODITIC BLADE AND RECEPTACLE, WITH LATCH AND BOSS	
0 PLC ± 1 PLC ± 2 PLC ±0.13 3 PLC ±0.013 4 PLC ± ANGLES ±1° FINISH		PRODUCT SPEC 108-2342	SIZE A200779	CAGE CODE C-2213617
MATERIAL		APPLICATION SPEC 114-13225	DRAWING NO	RESTRICTED TO
		WEIGHT -	SCALE 6:1	SHEET 1 OF 2
		CUSTOMER DRAWING	REV A1	

THIS DRAWING IS UNPUBLISHED. RELEASED FOR PUBLICATION 20  
 © COPYRIGHT 20 BY - ALL RIGHTS RESERVED.

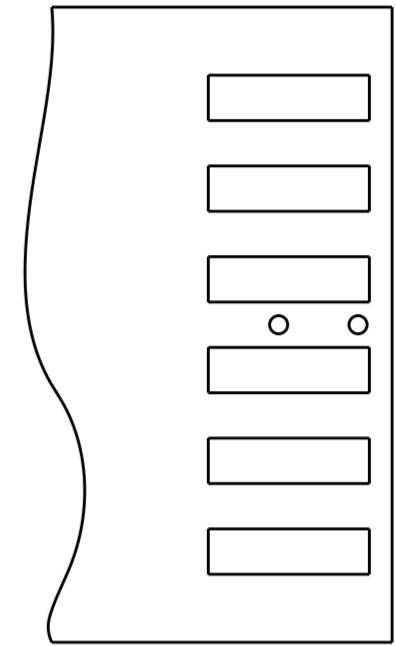
LOC		DIST		REVISIONS			
P	LTR	DESCRIPTION	DATE	DWN	APVD		
-	-	SEE SHEET 1	-	-	-		



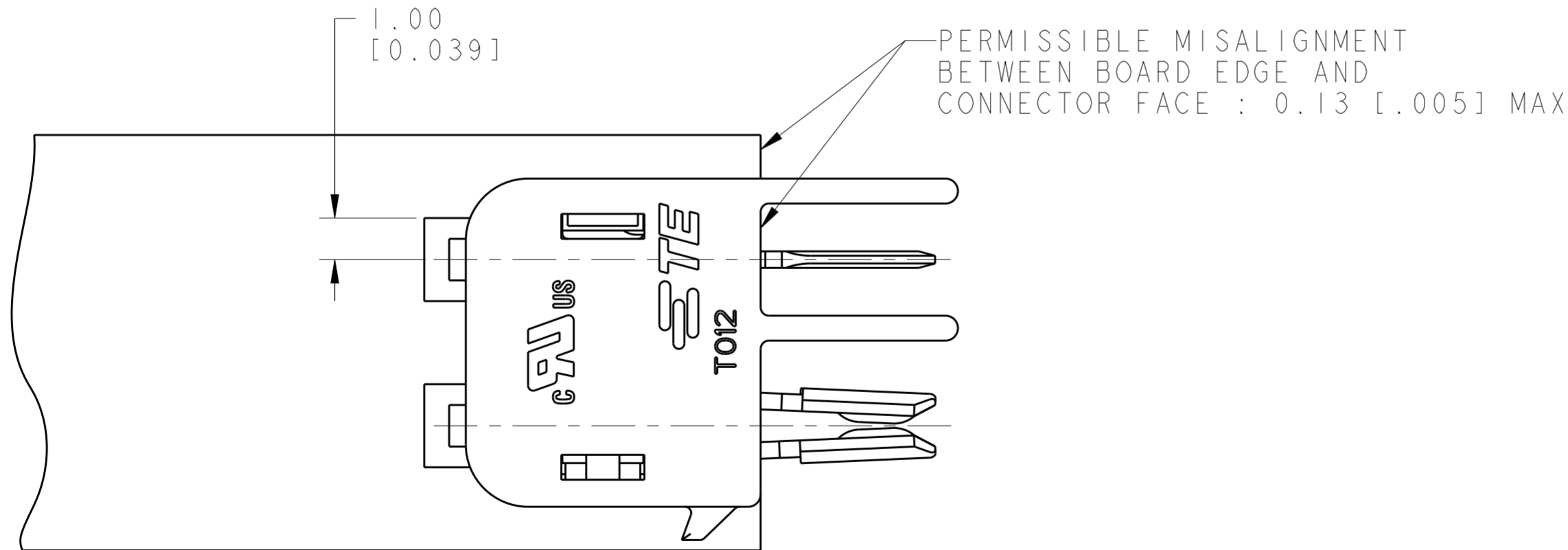
RECOMMENDED PCB LAYOUT FOR 2213617-1 & 1-2213617-1



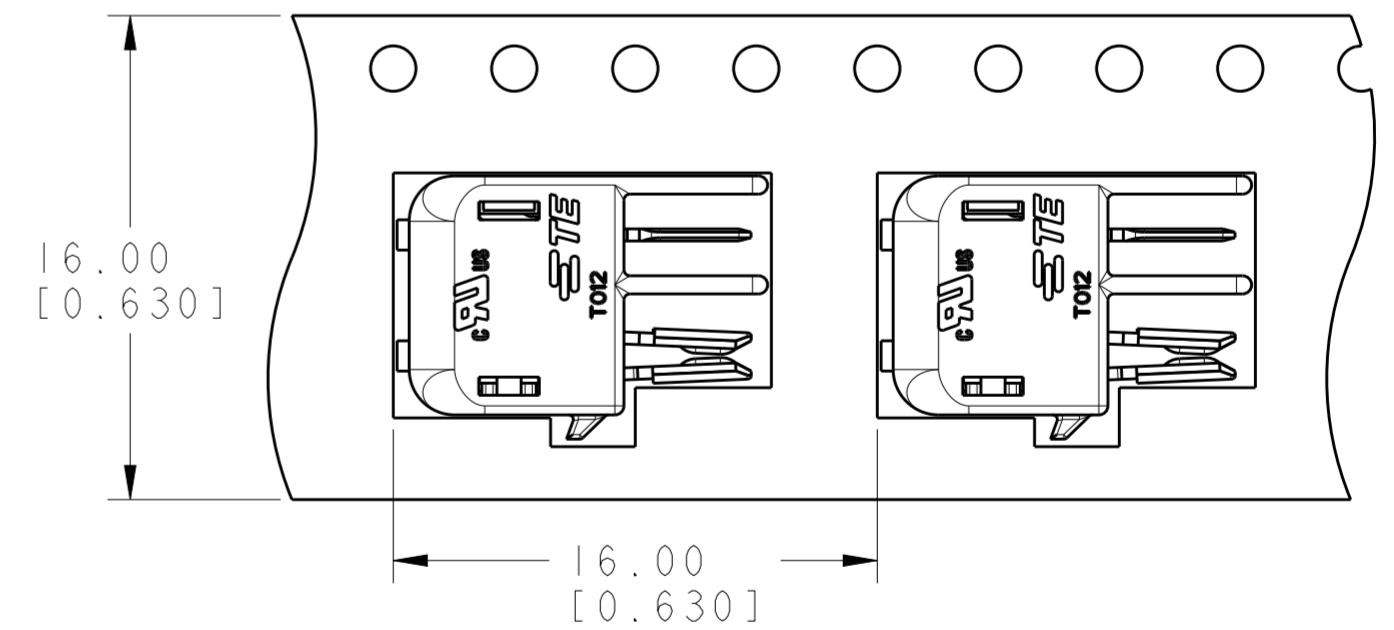
RECOMMENDED PCB LAYOUT FOR 2213617-2 & 1-2213617-2



RECOMMENDED PCB LAYOUT FOR 2213617-3 & 1-2213617-3



SCALE 8:1



TO BE PACKAGED AS SHOWN SCALE 4:1

THIS DRAWING IS A CONTROLLED DOCUMENT.		DWN RAVLS 22JAN2015	TE Connectivity	
DIMENSIONS: mm		CHK D. DECKER 22JAN2015		
TOLERANCES UNLESS OTHERWISE SPECIFIED:		APVD D. DECKER 22JAN2015	NAME CONNECTOR ASSEMBLY, HERMAPHRODITIC BLADE AND RECEPTACLE, WITH LATCH AND BOSS	
0 PLC ± 1 PLC ± 2 PLC ±0.13 3 PLC ±0.013 4 PLC ± ANGLES ±1° FINISH		PRODUCT SPEC 108-2342	SIZE 114-13225	RESTRICTED TO
MATERIAL		APPLICATION SPEC 114-13225	WEIGHT -	SCALE 6:1
		CUSTOMER DRAWING	SIZE A200779	DRAWING NO C-2213617
			SCALE 6:1	SHEET 2 OF 2
				REV A1

## X-ON Electronics

Largest Supplier of Electrical and Electronic Components

*Click to view similar products for [Lighting Connectors](#) category:*

*Click to view products by [TE Connectivity](#) manufacturer:*

Other Similar products are found below :

[293300-7](#) [293660-5](#) [CNX\\_H03\\_NTP](#) [30-9767-BU](#) [3605](#) [3-21030-1](#) [ZCH-110-RGB-I](#) [503471-0290](#) [ZCH-110-RGB-J](#) [217-0716-200](#)  
[1954563-1](#) [1-293657-2](#) [2834036-1](#) [2834037-1](#) [1-2213222-4](#) [2-2213222-4](#) [2213222-4](#) [2834122-3](#) [2834122-5](#) [2834135-2](#) [FLA-R4142-30](#)  
[FLA-R4162-30](#) [FLA-R2142-30](#) [FLA-R2141-30](#) [FLA-R2162-30](#) [FLA-R2161-30](#) [FLA-R0161-30](#) [FLA-R0141-30](#) [FLA-R0162-30](#) [FLA-C00-](#)  
[00](#) [DGA00010553](#) [CNXV04NTP](#) [104128-0610](#) [503485-0000 \(Cut Strip\)](#) [503485-0000 \(Loose Piece\)](#) [503485-0000 \(MINI Reel\)](#) [1-2834074-2](#)  
[1-2834074-3](#) [1357-AC PLUG W2C \(CHINA\)](#) [1357-AC PLUG W2 \(USA\)](#) [104266-0110](#) [2106212-1](#) [2-2834074-2](#) [104266-0210](#) [293470-1](#)  
[293651-2](#) [293651-4](#) [1-2834006-2](#) [293651-1](#) [2213142-3](#)