

THIS DRAWING IS UNPUBLISHED. RELEASED FOR PUBLICATION 20  
 © COPYRIGHT 20 BY - ALL RIGHTS RESERVED.

REVISIONS					
P	LTR	DESCRIPTION	DATE	DWN	APVD
	A	RELEASED FOR PRODUCTION	22NOV2017	RK	DD
	A1	REVISED PER ECO-19-002977	26FEB2019	GCM	DD
	A2	REVISED PER ECR-19-011453	25JUL2019	SR	DD
	A3	REVISED PER ECR-19-017023	06NOV2019	SB	DD

NOTES:

1. MATERIALS:  
 HOUSINGS: GLASS-FILLED THERMOPLASTIC, UL 94V-0 RATED  
 SIGNAL CONTACTS (2 OR 4) AND LINE VOLTAGE CONTACTS (3):  
 COPPER ALLOY
2. FINISH:  
 SIGNAL CONTACTS (2 OR 4): NICKEL UNDERPLATE ENTIRE  
 CONTACT 0.127 µm MIN THICK. GOLD PLATE CONTACT  
 PAD AREA (MATING FACE SIDE ONLY) 0.76 µm MIN THICK.  
 MATTE TIN PLATE TAB ON BOTH SIDES 0.30 µm MIN THICK.  
 LINE VOLTAGE CONTACTS (3): TIN PLATE.
3. LINE VOLTAGE CONDUCTORS (3):  
 14 AWG, 600V, 150°C RATED, COPPER 41/30 STRANDED  
 PER UL STYLE AWM 3321.
4. MATING INTERFACE PER ANSI C136.41-2013.
5. OPTIONAL SIGNAL CONTACTS (2) SUPPLIED.
6. SIGNAL CONDUCTORS (2 OR 4):  
 18 AWG, 600V, 150°C RATED, 16/30 STRANDED,  
 PER UL STYLE AWM 3321.
7. LINE VOLTAGE CONDUCTORS (3):  
 14 AWG, 600V, 105°C RATED, COPPER 41/30 STRANDED.  
 PER UL STYLE AWM 1015.
8. SIGNAL CONDUCTORS (2 OR 4):  
 18 AWG, 600V, 105°C RATED, COPPER 16/30 STRANDED.  
 PER UL STYLE AWM 1015.
9. LUBRICATION: GOLD PLATED CONTACT PAD SURFACES OF SIGNAL  
 CONTACTS ARE LUBRICATED WITH A TRANSPARENT (NON-VISIBLE)  
 LUBRICANT TO IMPROVE DURABILITY AND PERFORMANCE. AVOID  
 CONTACT WITH THESE SURFACES WHICH MAY RESULT IN REMOVAL  
 OF LUBRICANT.
10. SEALING GASKET (TE P/N 2213626-1) SHIPPED IN PLACE ON ASSEMBLY  
 AND RETAINED BY THE WIRE LEAD BUNDLE.
11. SEALING GASKET (TE P/N 2213847-1) SHIPPED IN PLACE ON ASSEMBLY  
 AND RETAINED BY THE WIRE BUNDLE.
12. MUST BE USED WITH GASKET P/N 2213626-1(SOLD SEPARATELY).
13. MUST BE USED WITH GASKET P/N 2213847-1(SOLD SEPARATELY).

OVERALL LENGTH	WIRE LENGTH	WIRE STYLE	GASKET	SIGNAL CONTACTS QUANTITY	PART NO.
645.9	609.6	3 AND 6	N 12	4 5	3-2213627-2
341.1	304.8	3 AND 6	N 12	4 5	2-2213627-2
-	304.8	7	Y 11	-	1-2213627-9
341.1	304.8	7 AND 8	Y 11	4 5	1-2213627-8
341.1	304.8	7 AND 8	Y 11	2	1-2213627-7
341.1	304.8	3 AND 6	Y 11	4 5	1-2213627-6
341.1	304.8	3 AND 6	Y 11	2	1-2213627-5
341.1	304.8	7 AND 8	N 13	4 5	1-2213627-4
341.1	304.8	7 AND 8	N 13	2	1-2213627-3
341.1	304.8	3 AND 6	N 13	4 5	1-2213627-2
341.1	304.8	3 AND 6	N 13	2	1-2213627-1
341.1	304.8	7 AND 8	Y 10	4 5	2213627-8
341.1	304.8	7 AND 8	Y 10	2	2213627-7
341.1	304.8	3 AND 6	Y 10	4 5	2213627-6
341.1	304.8	3 AND 6	Y 10	2	2213627-5
341.1	304.8	7 AND 8	N 12	4 5	2213627-4
341.1	304.8	7 AND 8	N 12	2	2213627-3
341.1	304.8	3 AND 6	N 12	4 5	2213627-2
341.1	304.8	3 AND 6	N 12	2	2213627-1

THIS DRAWING IS A CONTROLLED DOCUMENT.

DWN: RAVI.S 07APR2015  
 CHK: C.GINGRICH 07APR2015  
 APVD: C.GINGRICH 07APR2015

**STE** TE Connectivity

NAME: ASSEMBLY ROTATING DIMMING RECEPTACLE (49.22mm),  
 -

SIZE: A2 CAGE CODE: - DRAWING NO: C-2213627 RESTRICTED TO: -

SCALE: 1:2 SHEET 1 OF 4 REV: A3

CUSTOMER DRAWING

DIMENSIONS:	TOLERANCES UNLESS OTHERWISE SPECIFIED:
mm	0 PLC ± 1 PLC ± 2 PLC ± 3 PLC ± 4 PLC ± ANGLES ± FINISH -

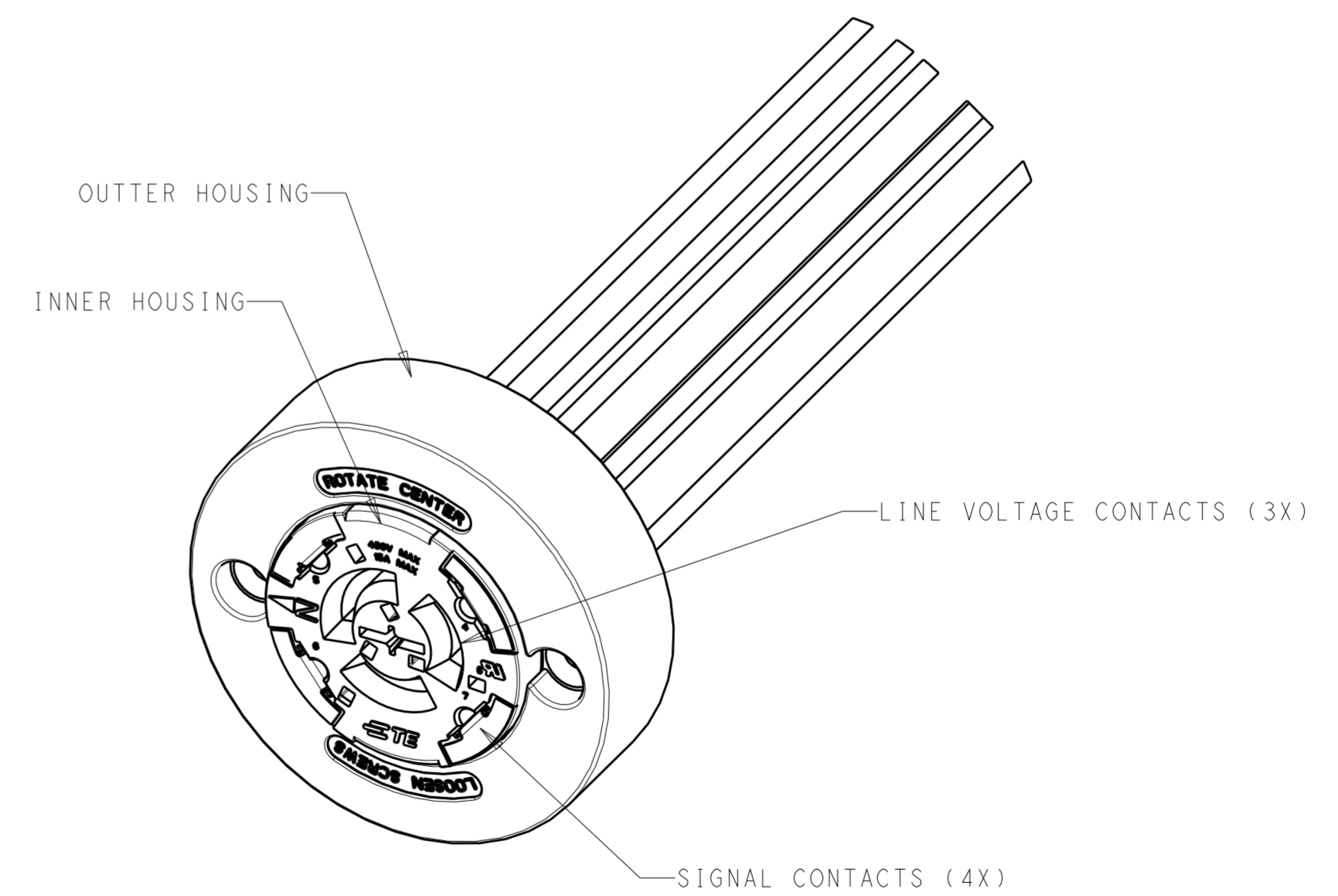
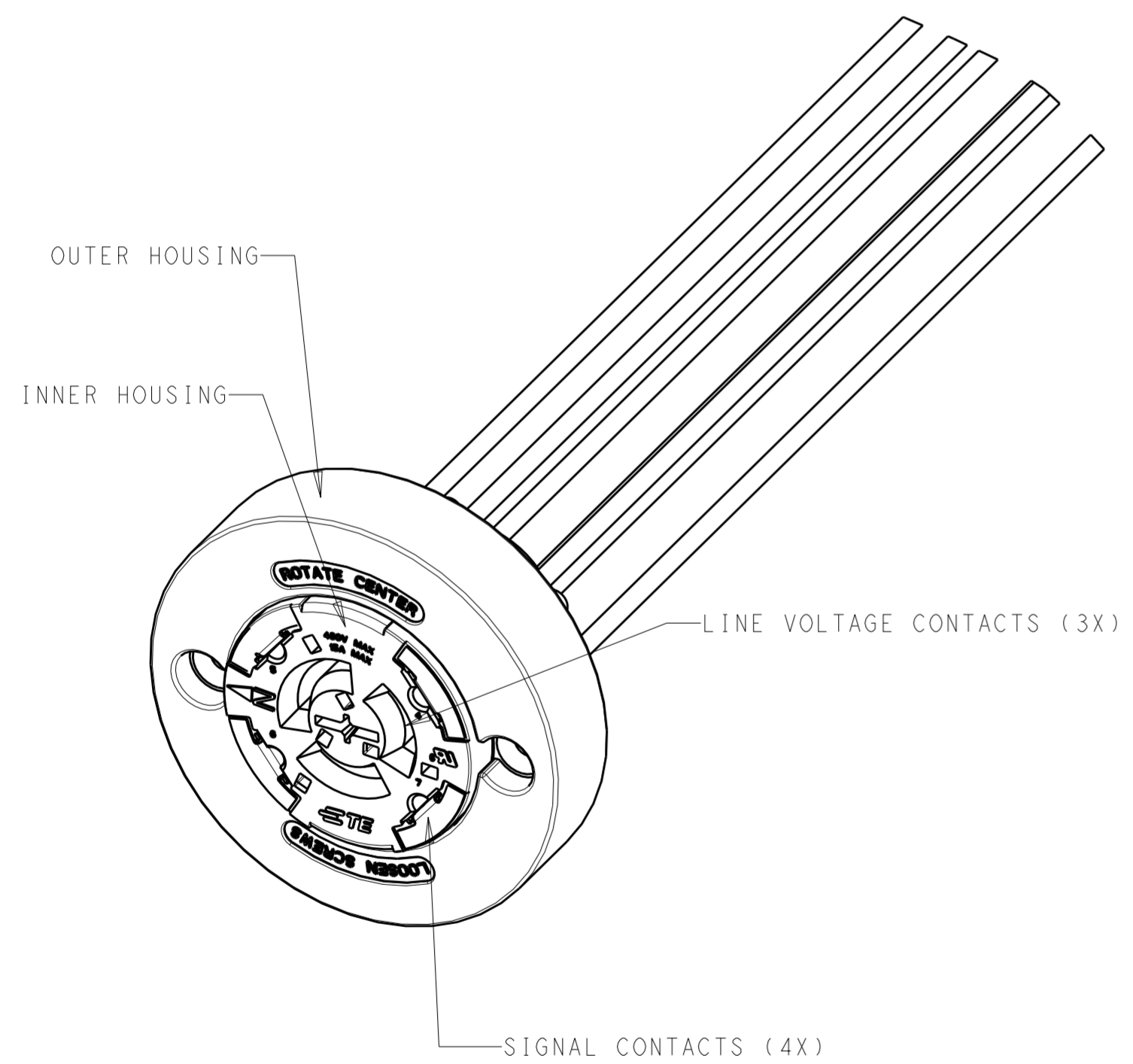
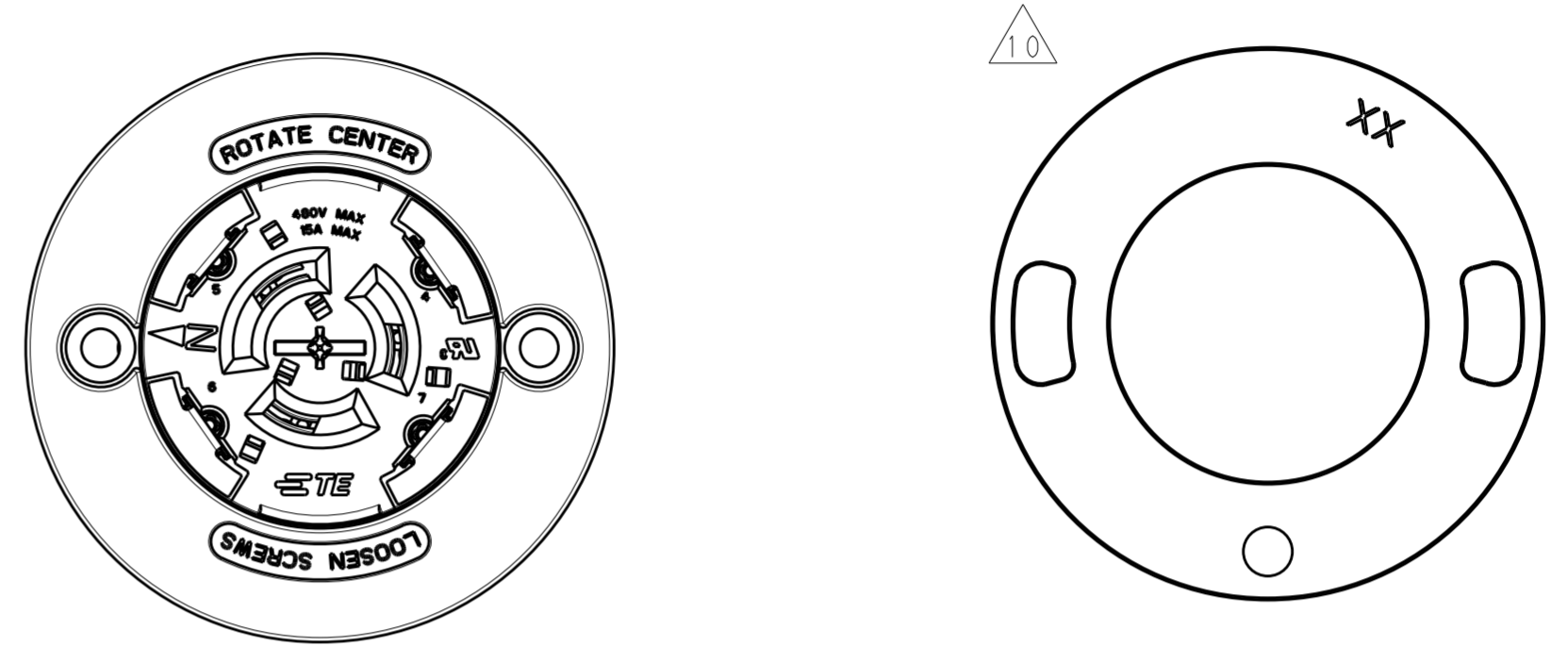
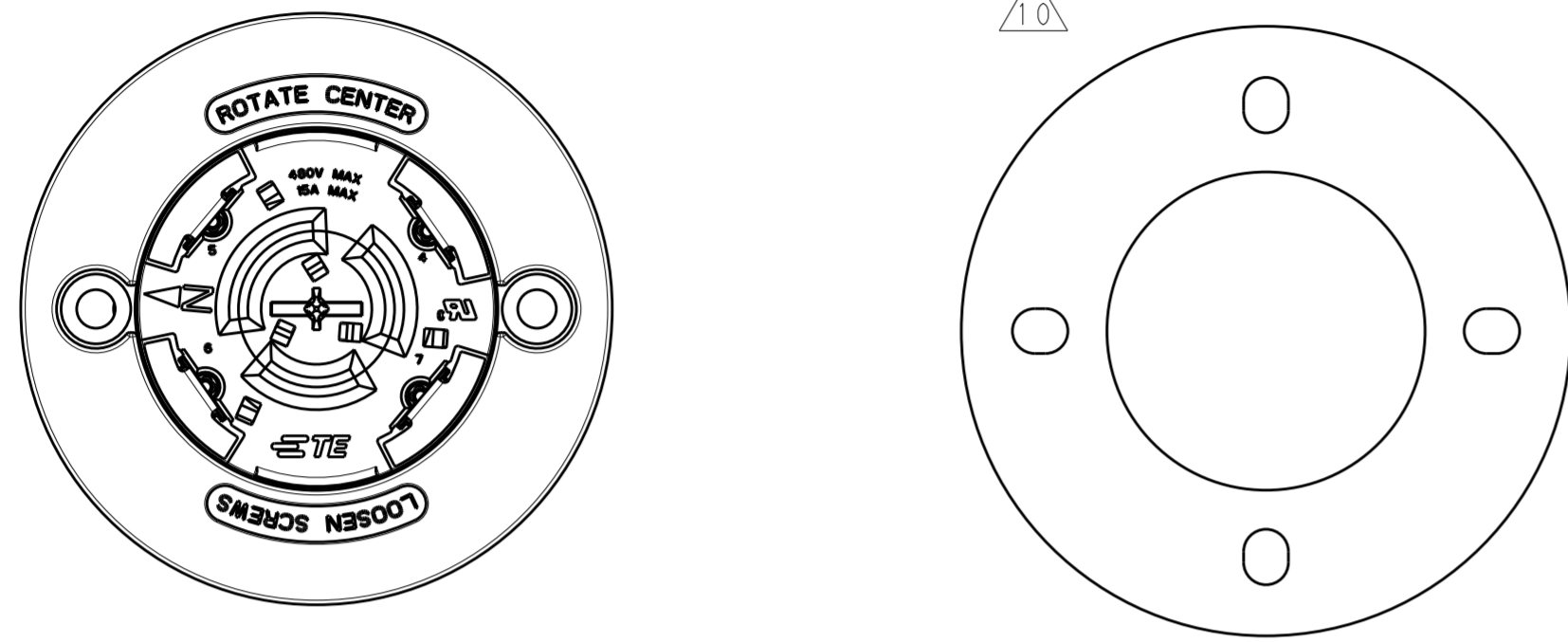
THIS DRAWING IS UNPUBLISHED. RELEASED FOR PUBLICATION 20  
 © COPYRIGHT 20 BY - ALL RIGHTS RESERVED.

REVISIONS				
P	LTR	DESCRIPTION	DATE	APVD
-		SEE SHEET 1	-	-

SEE SHEET 3 FOR WIRING COLOR CODE

2213627-1 THRU 2213627-8

1-2213627-1 THRU 1-2213627-8 SHOWN



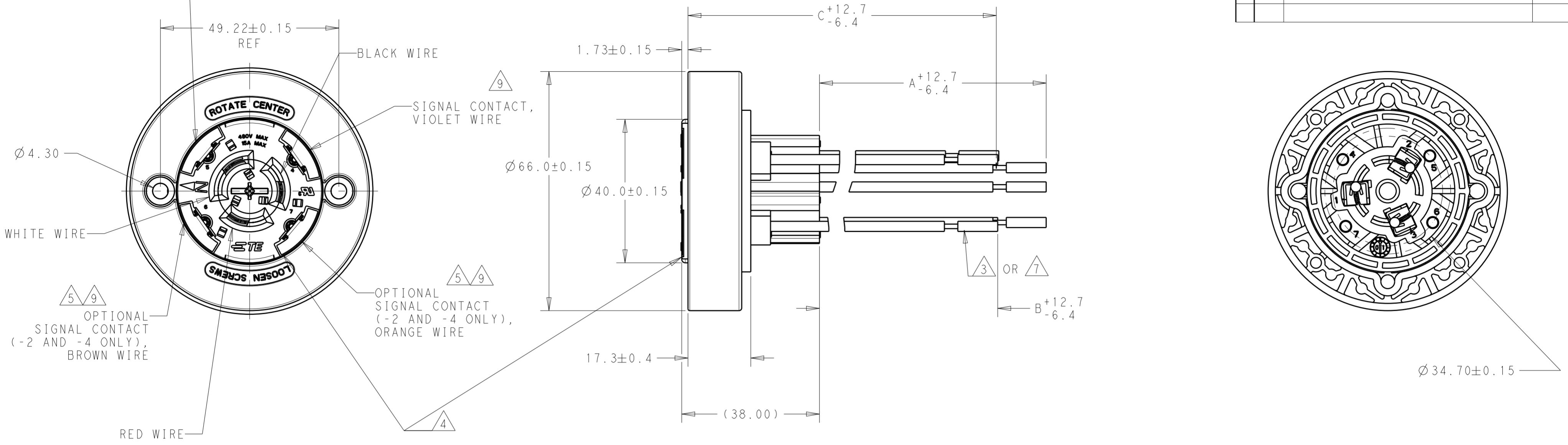
THIS DRAWING IS A CONTROLLED DOCUMENT.		DWN RAVI.S 07APR2015	<b>STE</b> TE Connectivity	
DIMENSIONS: mm		CHK C.GINGRICH 07APR2015		
TOLERANCES UNLESS OTHERWISE SPECIFIED:		APVD C.GINGRICH 07APR2015	NAME ASSEMBLY ROTATING DIMMING RECEPTACLE (49.22mm),	
0 PLC ±		PRODUCT SPEC 108-32059	RESTRICTED TO	
1 PLC ±		APPLICATION SPEC 114-32148	SIZE A2	CAGE CODE -
2 PLC ±		WEIGHT -	DRAWING NO C-2213627	SCALE 1:2
3 PLC ±		CUSTOMER DRAWING	SHEET 2 OF 4	REV A3
4 PLC ±				
ANGLES ±				
FINISH -				

THIS DRAWING IS UNPUBLISHED. RELEASED FOR PUBLICATION 20  
 © COPYRIGHT 20 BY - ALL RIGHTS RESERVED.

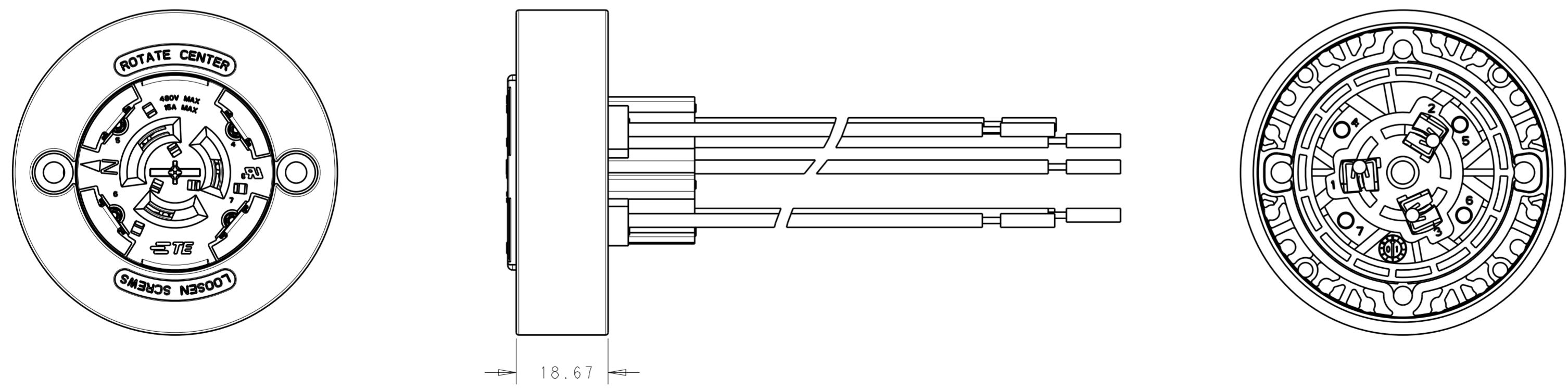
REVISIONS				
P	LTR	DESCRIPTION	DATE	APVD
-	-	SEE SHEET 1	-	-

9 SIGNAL CONTACT, GREY WIRE  
 SEE TABLE FOR QUANTITY

2213627-1 THRU 2213627-8 SHOWN



1-2213627-1 THRU 1-2213627-8  
 SAME AS  
 2213627-1 THRU 2213627-8  
 EXCEPT AS SHOWN



TYPE	POSITION #	WIRE COLOR
POWER	1	BLACK
POWER	2	WHITE
POWER	3	RED
SIGNAL	4	VIOLET
SIGNAL	5	GRAY
SIGNAL	6	BROWN
SIGNAL	7	ORANGE

THIS DRAWING IS A CONTROLLED DOCUMENT.

DWN	RAVI.S	07APR2015
CHK	C.GINGRICH	07APR2015
APVD	C.GINGRICH	07APR2015
PRODUCT SPEC	108-32059	
APPLICATION SPEC	114-32148	
WEIGHT	-	
CUSTOMER DRAWING	-	

STE TE Connectivity

NAME: ASSEMBLY ROTATING DIMMING RECEPTACLE (49.22mm),

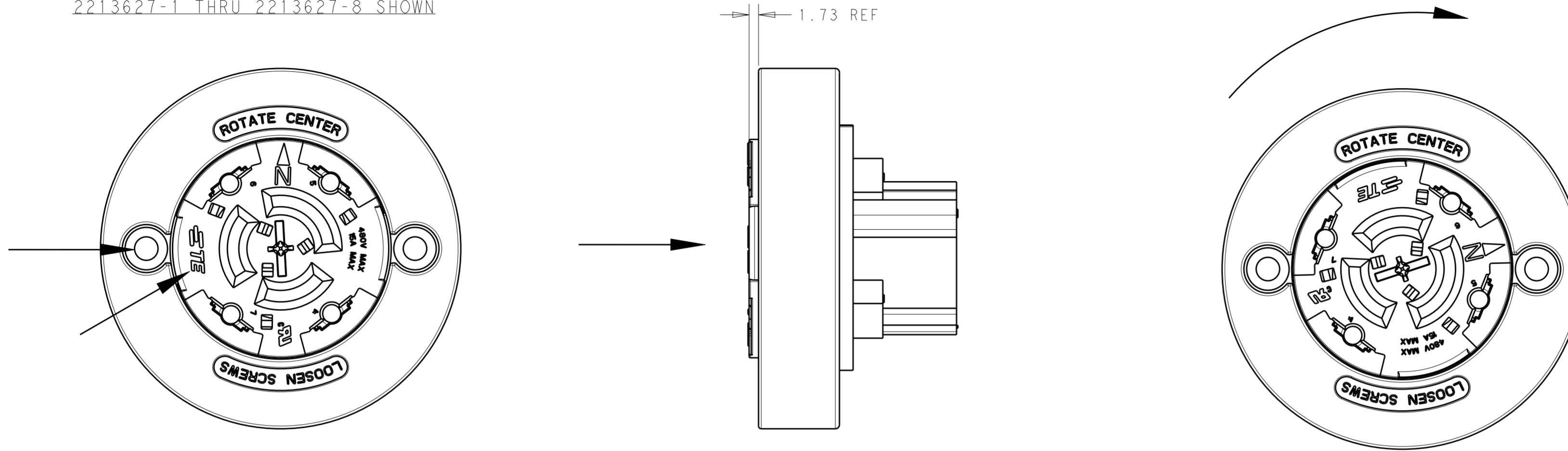
SIZE	CAGE CODE	DRAWING NO	RESTRICTED TO
A2	-	C-2213627	-

SCALE: 1:2 SHEET 3 OF 4 REV A3

REVISIONS				
P	LTR	DESCRIPTION	DATE	APVD
-	-	SEE SHEET 1	-	-

IF THE LOCK RING BECOME SEPARATED FROM THE INNER HOUSING ASSEMBLY, FOLLOW THE THESE STEPS TO SNAP IT BACK INTO PLACE  
 TO ASSEMBLE THE LOCK RING ONTO THE INNER HOUSING, THESE STEPS MUST BE FOLLOWED.

2213627-1 THRU 2213627-8 SHOWN

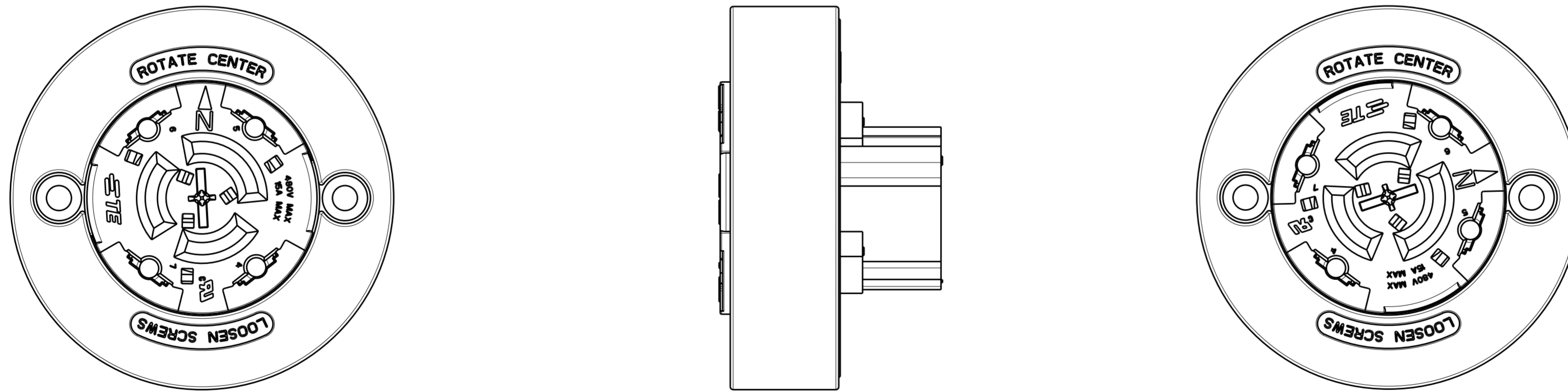


STEP 1: ALIGN THE TE LOGO WITH ONE OF THE SCREW HOLES ON THE LOCK RING.

STEP 2: SNAP THE LOCK RING ONTO THE INNER HOUSING ASSEMBLY

STEP 3: TURN THE LOCK RING FULLY CLOCKWISE UNTIL IT STOPS (THE NORTH INDICATOR WILL BE ADJACENT TO ONE OF THE SCREW HOLES IN THE LOCK RING)

1-2213627-1 THRU 1-2213627-8 SHOWN



THIS DRAWING IS A CONTROLLED DOCUMENT.		DWN RAVLS 07APR2015	<b>STE</b> TE Connectivity	
DIMENSIONS: mm		CHK C.GINGRICH 07APR2015		
TOLERANCES UNLESS OTHERWISE SPECIFIED:		APVD C.GINGRICH 07APR2015	NAME ASSEMBLY ROTATING DIMMING RECEPTACLE (49.22mm),	
0 PLC ±		PRODUCT SPEC 108-32059	RESTRICTED TO	
1 PLC ±		APPLICATION SPEC 114-32148	SIZE A2	CAGE CODE -
2 PLC ±		WEIGHT -	DRAWING NO C-2213627	SCALE 1:2
3 PLC ±		CUSTOMER DRAWING	SHEET 4 OF 4	REV A3
4 PLC ±				
ANGLES ±				
FINISH				
MATERIAL - -				

## X-ON Electronics

Largest Supplier of Electrical and Electronic Components

*Click to view similar products for [Lighting Connectors](#) category:*

*Click to view products by [TE Connectivity](#) manufacturer:*

Other Similar products are found below :

[293300-7](#) [293660-5](#) [CNX\\_H03\\_NTP](#) [30-9767-BU](#) [3605](#) [3-21030-1](#) [ZCH-110-RGB-I](#) [503471-0290](#) [ZCH-110-RGB-J](#) [217-0716-200](#)  
[1954563-1](#) [1-293657-2](#) [2834036-1](#) [2834037-1](#) [1-2213222-4](#) [2-2213222-4](#) [2213222-4](#) [2834122-3](#) [2834122-5](#) [2834135-2](#) [FLA-R4142-30](#)  
[FLA-R4162-30](#) [FLA-R2142-30](#) [FLA-R2141-30](#) [FLA-R2162-30](#) [FLA-R2161-30](#) [FLA-R0161-30](#) [FLA-R0141-30](#) [FLA-R0142-30](#) [FLA-](#)  
[R0162-30](#) [FLA-C00-00](#) [DGA00010553](#) [CNXV04NTP](#) [104128-0610](#) [503485-0000 \(Cut Strip\)](#) [503485-0000 \(Loose Piece\)](#) [503485-0000](#)  
[\(MINI Reel\)](#) [1-2834074-2](#) [1-2834074-3](#) [1357-AC PLUG W2C \(CHINA\)](#) [1357-AC PLUG W2 \(USA\)](#) [104266-0110](#) [2106212-1](#) [2-2834074-2](#)  
[104266-0210](#) [293470-1](#) [293651-2](#) [293651-4](#) [1-2834006-2](#) [293651-1](#)