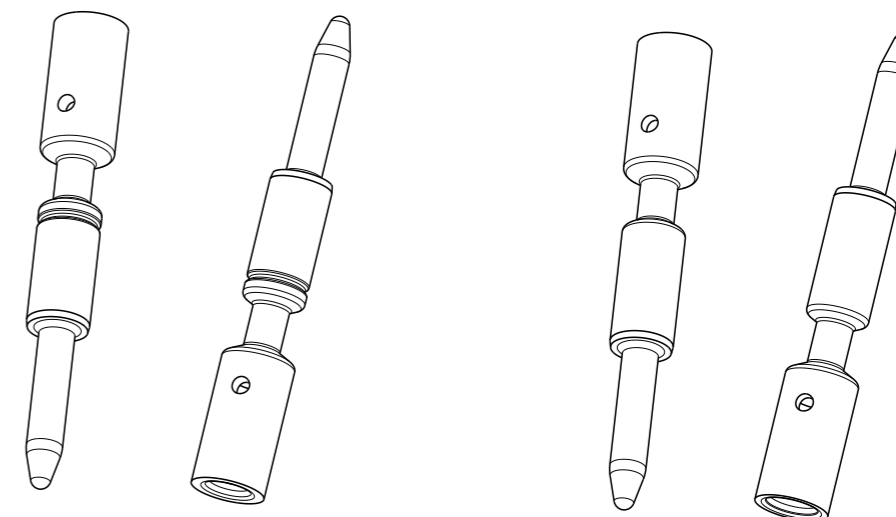
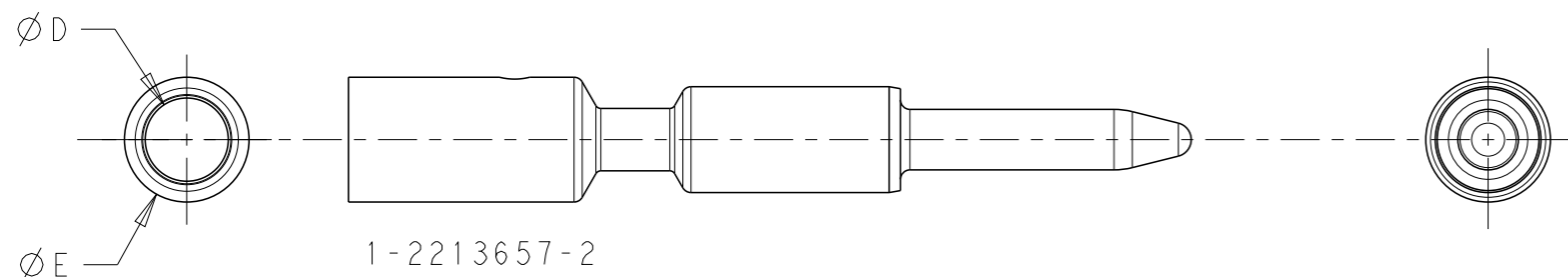
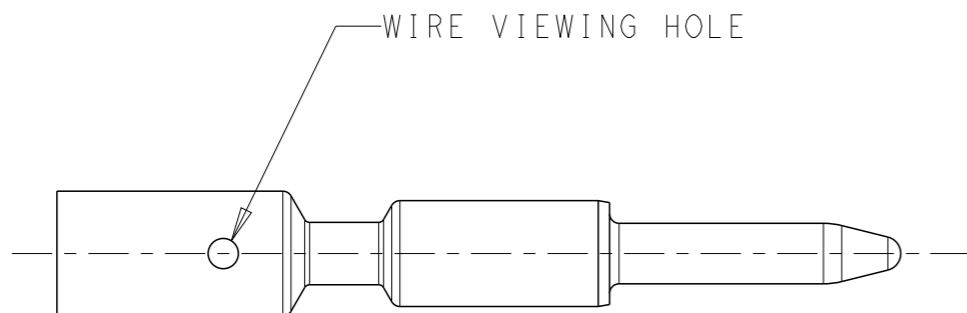


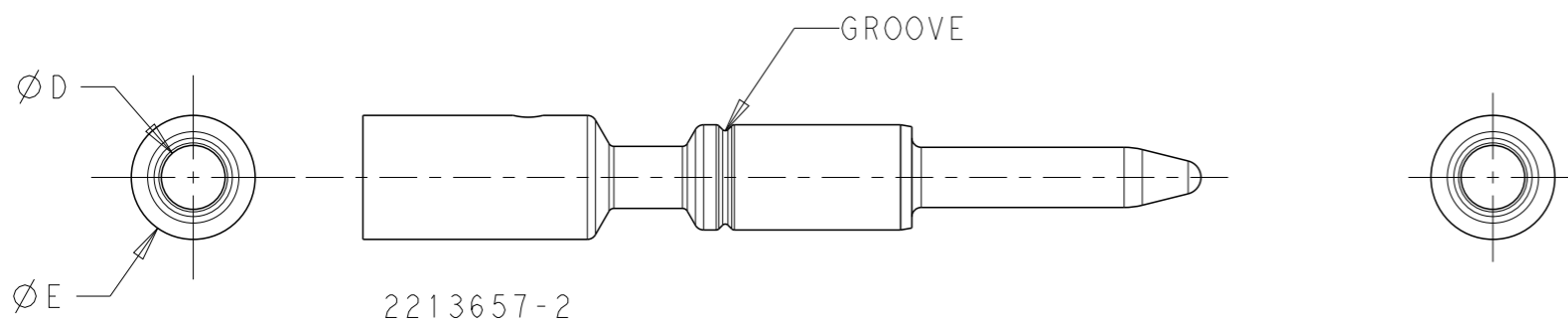
REVISIONS

P	LTR	DESCRIPTION	DATE	DWN	APVD
	A	REVISED AS PER ECR-15-009852	13JUL2015	RS	JL
	A1	REVISED AS PER ECR-15-012327	20AUG2015	RS	JL



2213657-2

1-2213657-2




2213657-2

NOTES:

- MATERIALS AND FINISH:
COPPER ALLOY, FINISH: Sn OVER Ni
- MUST COMPLY WITH DIRECTIVE 2002/95/EC (ROHS)
- THIS PRODUCT HAS NOT COMPLETED VALIDATION TESTING

2.5	3.30	2.20	0	1-2213657-2
1.5	3.30	1.70	1	2213657-2
WIRE (sqmm)	DIM. "E"	DIM. "D"	NO. OF GROOVES	PART NO

THIS DRAWING IS A CONTROLLED DOCUMENT.		DWN RAVI.S 17APR2015	 TE Connectivity		
DIMENSIONS: mm		CHK LATORRE JUSTIN 17APR2015			
TOLERANCES UNLESS OTHERWISE SPECIFIED:		APVD LATORRE JUSTIN 17APR2015	NAME MACHINED PIN CONTACT NECTOR* M-LINE-SEALED		
0 PLC ±- 1 PLC ±0.3 2 PLC ±0.15 3 PLC ±- 4 PLC ±- ANGLES ±-		PRODUCT SPEC 108-133014	SIZE A3		
MATERIAL NOTE 1		APPLICATION SPEC 114-32111	CAGE CODE -	DRAWING NO C-2213657	RESTRICTED TO -
FINISH NOTE 1		WEIGHT -	SCALE 10:1		
		Customer Drawing	SHEET 1 OF 1 REV A1		

X-ON Electronics

Largest Supplier of Electrical and Electronic Components

Click to view similar products for [Bench Top Tools](#) category:

Click to view products by [TE Connectivity](#) manufacturer:

Other Similar products are found below :

[6-1372442-6](#) [63801-4462](#) [63801-4561](#) [63801-7269](#) [679527-1](#) [691667-1](#) [7-21000-9](#) [768539-1](#) [854130-1](#) [854946-2](#) [856203-1](#) [904449-1](#) [9-22280-9](#) [986096-2](#) [992438-3](#) [1-21000-3](#) [1-21000-1](#) [1-25022-4](#) [1302263353](#) [1302263355](#) [1302261057](#) [1302261101](#) [1302261206](#) [1302261560](#) [1302263123](#) [1302264036](#) [1424264-1](#) [1424267-1](#) [1428211-1](#) [1428287-1](#) [1-455755-6](#) [1752744-1](#) [18023-9](#) [189763-1](#) [1901726-1](#) [2079747-1](#) [21001-2](#) [2119083-1](#) [2119085-1](#) [2119371-1](#) [2161930-1](#) [2217088-2](#) [2217339-1](#) [2217347-1](#) [22281-9](#) [22374-7](#) [284565-000](#) [F1 Handle Spring](#) [19228-0213](#) [2030790-2](#)