

THIS DRAWING IS UNPUBLISHED. RELEASED FOR PUBLICATION 20
 © COPYRIGHT 20 BY - ALL RIGHTS RESERVED.

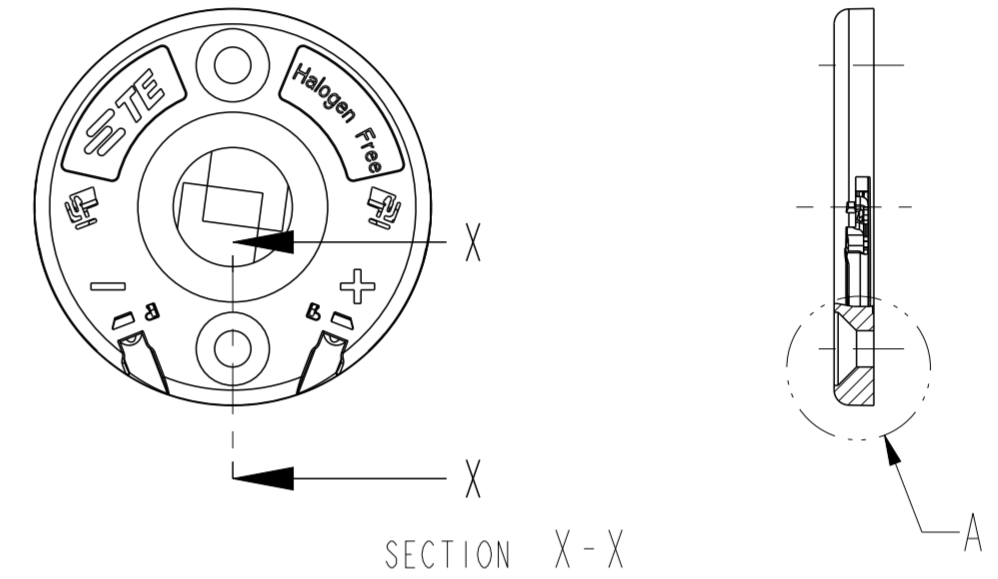
| REVISIONS | | | | |
|-----------|-----|---------------|-----------|-------|
| P | LTR | DESCRIPTION | DATE | APVD |
| C | | ECR-19-004750 | 13APR2019 | SR JL |
| C1 | | ECR-19-013004 | 23AUG2019 | SR JL |
| C2 | | ECR-19-014098 | 12SEP2019 | SR JL |
| C3 | | ECR-20-000836 | 23JAN2020 | SB JL |

NOTES:

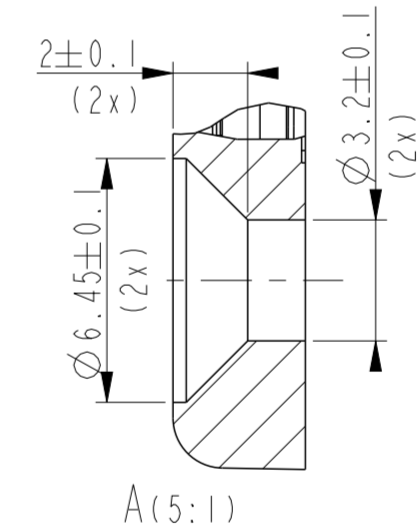
- MATERIALS:
 - HOLDER: PBT, COLOR: NATURAL,
 - CONTACTS: COPPER ALLOY, Ni/Au PLATING.
- FOR SOLID, FUSED AND STRANDED WIRE TYPES AWG 18 AND 20 ACC. UL 1007.
- WIRE STRIP LENGTH: 11-12 mm
- MAX. WIRE INSULATION OUTER DIAM.: $\varnothing 2.3\text{mm}$.
- RECOMMENDED SCREW TORQUE: 0.4 - 0.6 Nm.
- SCREWS TO BE USED:
 - PAN HEAD M3, #4-40 AND COUNTERSUNK M3 (2x), SEE TABLE SHEET 2.
- FOR LED THICKNESS RANGE 0.9-1.0 NOM.
- LED MATING ON 2 CORNERS WITH ADHESIVE TAPE.

- ⚠ SPECIAL PACKAGING IN 20 PIECES TRAY AND BAGGED IN GROUPS OF 100 PIECES.
10. FOR COB-TO-HOLDER CROSS REFERENCE, REFER TO APPLICATION SPECIFICATION 114-32208.

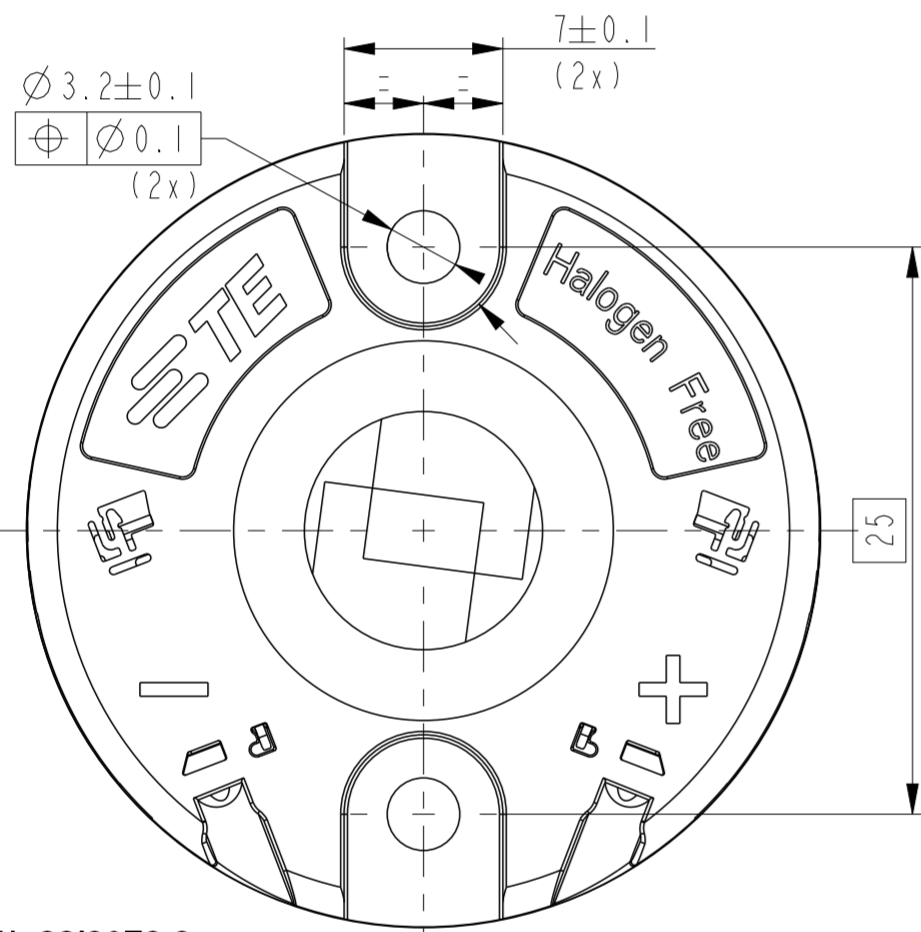
P/N 2213678-4
AS SHOWN



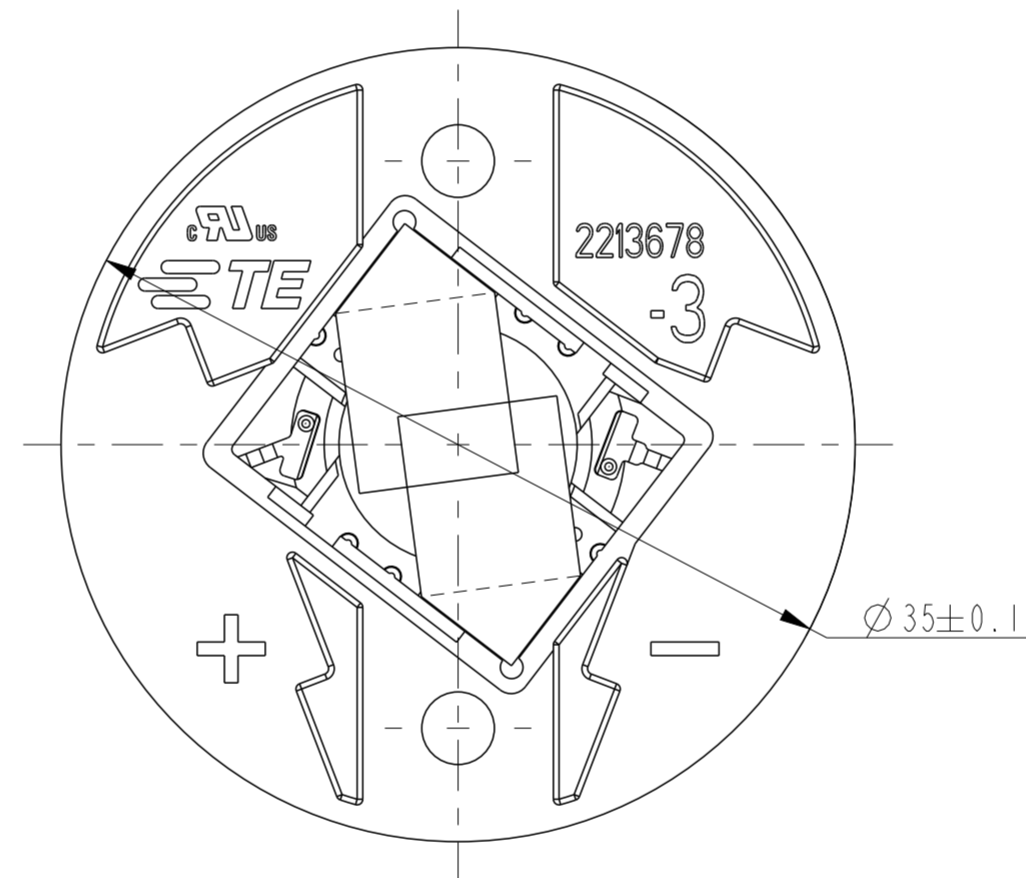
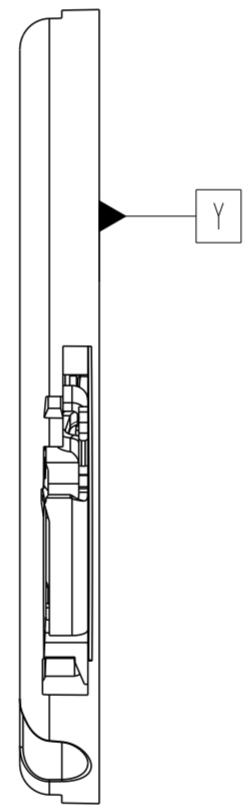
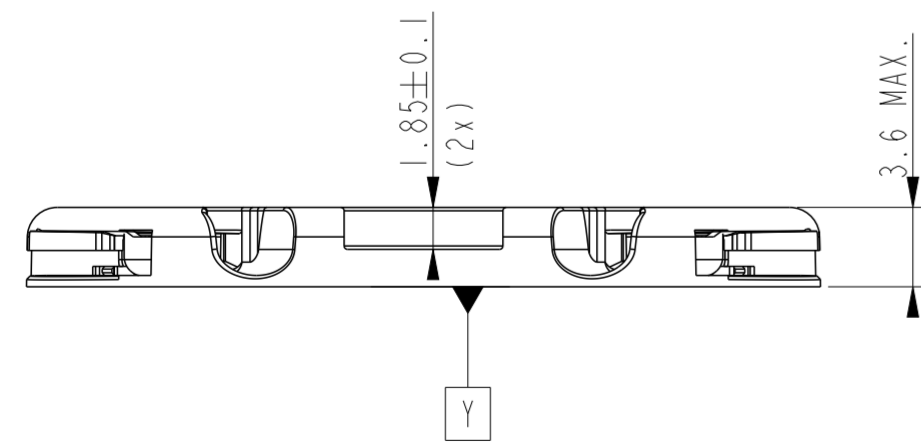
SECTION X-X



A(5:1)



P/N 2213678-3
AS SHOWN



| | | | | |
|---|--|---------------------------------|----------------------------------|--------------------|
| THIS DRAWING IS A CONTROLLED DOCUMENT. | | DWN P. POORTER 22MAY2015 | TE Connectivity | |
| DIMENSIONS: mm | | CHK O. LEIJNSE 22MAY2015 | | |
| TOLERANCES UNLESS OTHERWISE SPECIFIED: | | APVD O. LEIJNSE 22MAY2015 | NAME MINI COB HOLDER PLATFORM | |
| 0 PLC ±0.2 1 PLC ±0.2 2 PLC ±0.1 3 PLC ±0.1 4 PLC ±0.1 ANGLES ±5 FINISH | | PRODUCT SPEC 108-133062 | RESTRICTED TO | |
| MATERIAL | | APPLICATION SPEC 114-133062 | SIZE A2 | CAGE CODE 00779 |
| | | WEIGHT | DRAWING NO C-2213678 | SCALE 1:1 |
| | | CUSTOMER DRAWING | SHEET 1 | OF 3 |
| | | | REV C3 | |

THIS DRAWING IS UNPUBLISHED. RELEASED FOR PUBLICATION 20
 © COPYRIGHT 20 BY - ALL RIGHTS RESERVED.

| REVISIONS | | | | |
|-----------|-----|-------------|------|------|
| P | LTR | DESCRIPTION | DATE | APVD |
| - | - | SEE SHEET 1 | - | - |
| | | | | |
| | | | | |

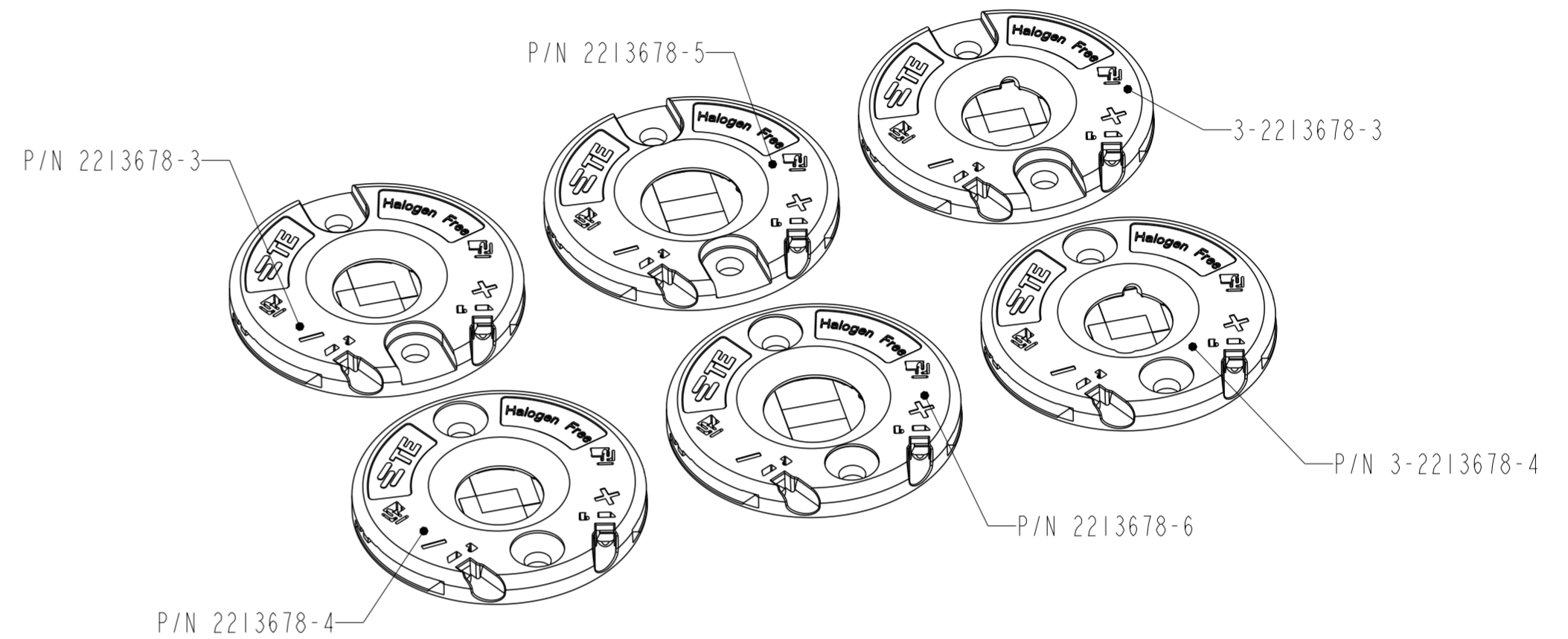
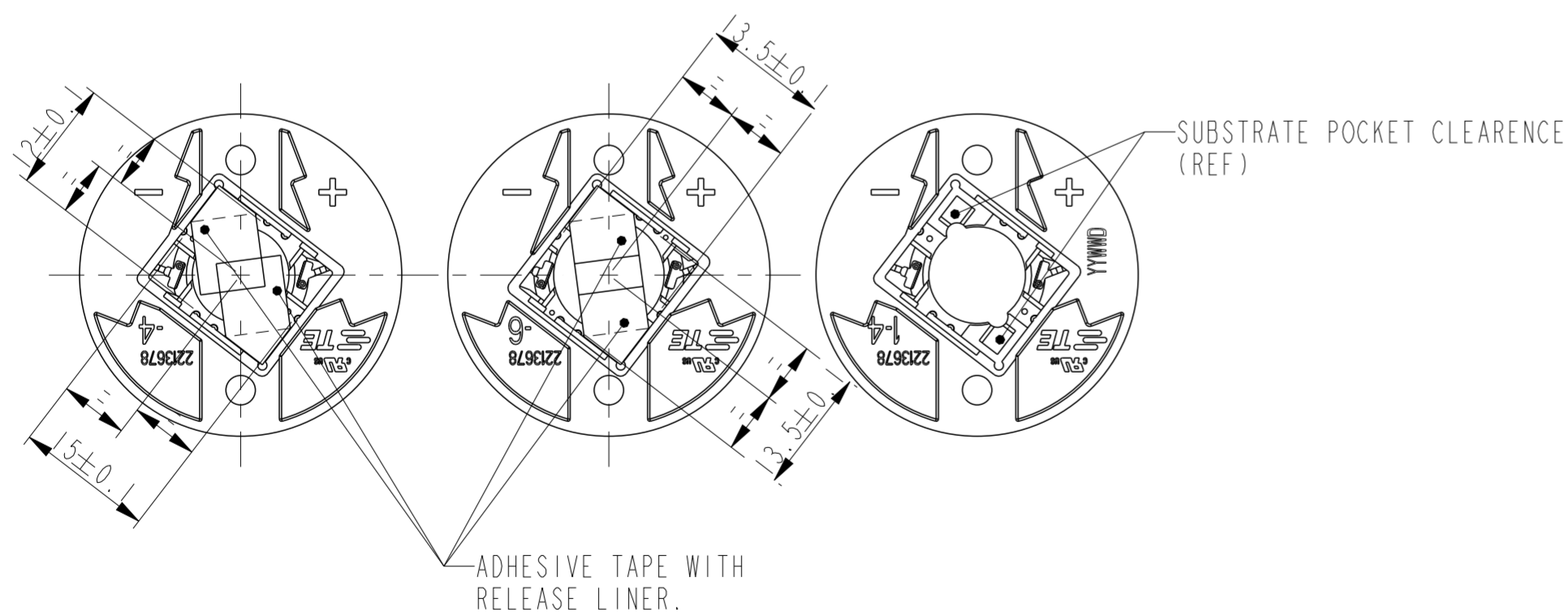
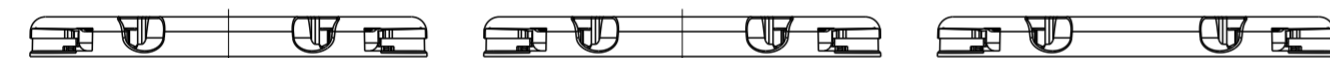
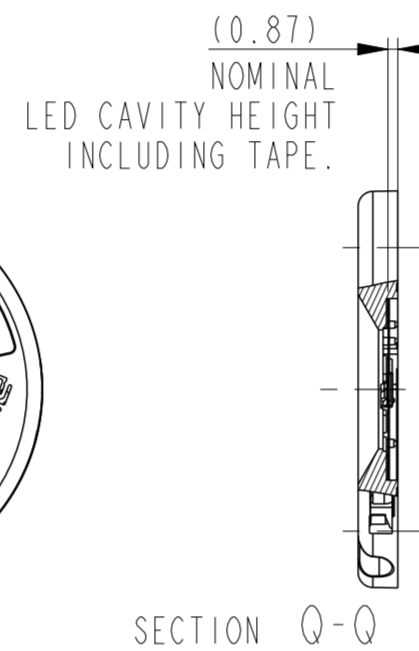
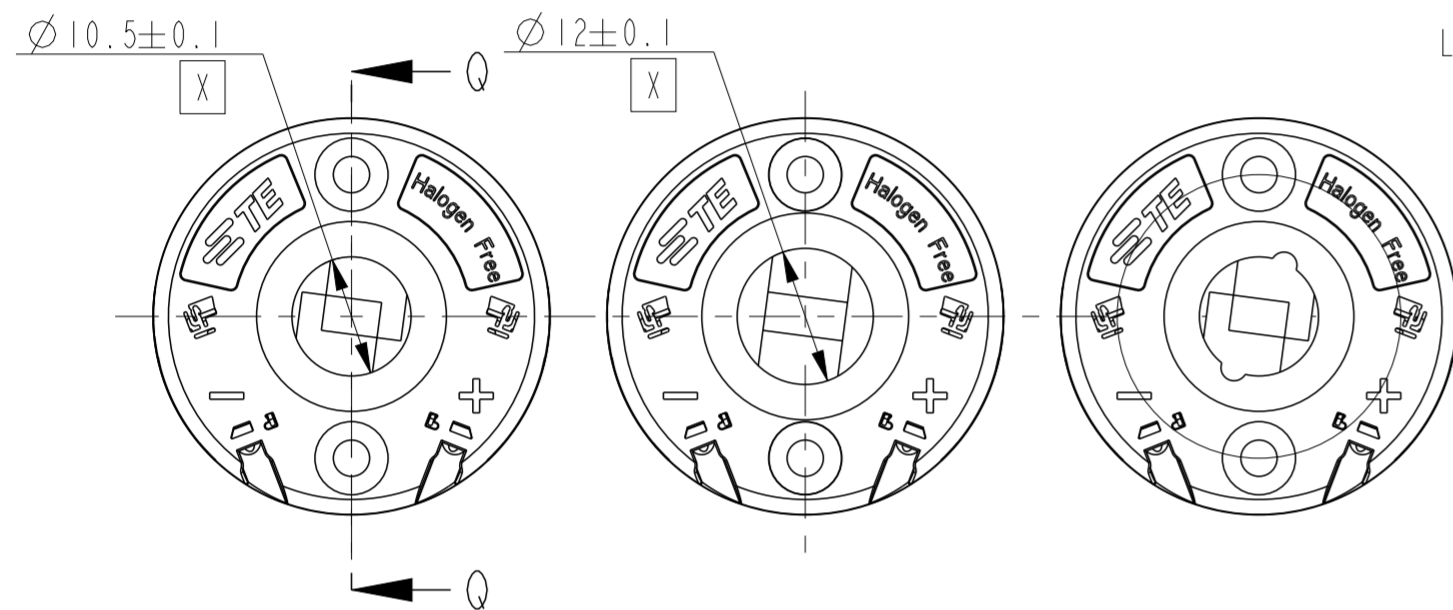
LED OUTLINE:

- P/N 2-2213678-3
- P/N 1-2213678-4 (NO TAPE)
- P/N 1-2213678-3 (NO TAPE)
- P/N 2213678-3
- P/N 2213678-4 (SHOWN)

LED OUTLINE:

- P/N 1-2213678-6 (NO TAPE)
- P/N 1-2213678-5 (NO TAPE)
- P/N 2213678-5
- P/N 2-2213678-5
- P/N 2213678-6 (SHOWN)

- P/N 3-2213678-3
- P/N 3-2213678-4



| 400 | 20 | 4-2213678-5 | 35mm LED Holder | 12*15 | PAN HEAD | YES | YES |
|--------------|----------------|-------------|-----------------|-------------|-------------|------|------------|
| 400 | 20 | 4-2213678-3 | 35mm LED Holder | 13.5*13.5 | PAN HEAD | YES | YES |
| 1050 | 35 | 3-2213678-4 | 35mm LED Holder | 12*15 | COUNTERSUNK | YES | YES |
| 1050 | 35 | 3-2213678-3 | 35mm LED Holder | 12*15 | PAN HEAD | YES | YES |
| 500 | 20 | 2-2213678-6 | 35mm LED Holder | 13.5*13.5 | PAN HEAD | YES | YES |
| 500 | 20 | 2-2213678-5 | 35mm LED Holder | 13.5*13.5 | PAN HEAD | YES | YES |
| 300 | 10 | 2-2213678-3 | 35mm LED Holder | 12*15 | PAN HEAD | YES | YES |
| 1050 | 35 | 1-2213678-6 | 35mm LED Holder | 13.5*13.5 | COUNTERSUNK | NO | YES |
| 1050 | 35 | 1-2213678-5 | 35mm LED Holder | 13.5*13.5 | PAN HEAD | NO | ON REQUEST |
| 1050 | 35 | 1-2213678-4 | 35mm LED Holder | 12*15 | COUNTERSUNK | NO | ON REQUEST |
| 1050 | 35 | 1-2213678-3 | 35mm LED Holder | 12*15 | PAN HEAD | NO | YES |
| 1050 | 35 | 2213678-6 | 35mm LED Holder | 13.5*13.5 | COUNTERSUNK | YES | YES |
| 1050 | 35 | 2213678-5 | 35mm LED Holder | 13.5*13.5 | PAN HEAD | YES | YES |
| 1050 | 35 | 2213678-4 | 35mm LED Holder | 12*15 | COUNTERSUNK | YES | YES |
| 1050 | 35 | 2213678-3 | 35mm LED Holder | 12*15 | PAN HEAD | YES | YES |
| SHIPPING QTY | PARTS PER TRAY | PART NO | DESCRIPTION | LED OUTLINE | SCREW TYPE | TAPE | AVAILABLE |

THIS DRAWING IS A CONTROLLED DOCUMENT.

DWN: P. POORTER 22MAY2015
 CHK: O. LEIJNSE 22MAY2015
 APVD: O. LEIJNSE 22MAY2015

STE TE Connectivity

NAME: MINI COB HOLDER PLATFORM

PRODUCT SPEC: 108-133062
 APPLICATION SPEC: 114-133062

MATERIAL: -

WEIGHT: -

SIZE: A2 CAGE CODE: 00779 DRAWING NO: C-2213678 RESTRICTED TO: -

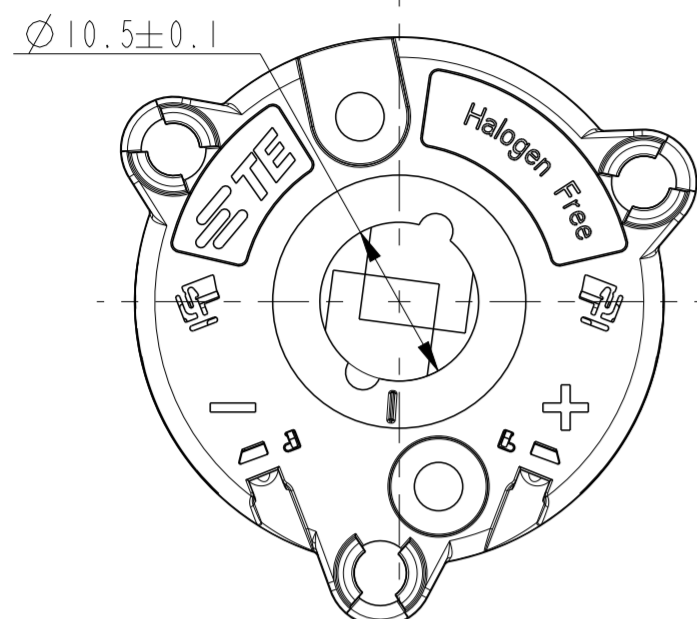
CUSTOMER DRAWING SCALE: 2:1 SHEET: 2 OF 3 REV: C3

THIS DRAWING IS UNPUBLISHED. RELEASED FOR PUBLICATION 20
 © COPYRIGHT 20 BY - ALL RIGHTS RESERVED.

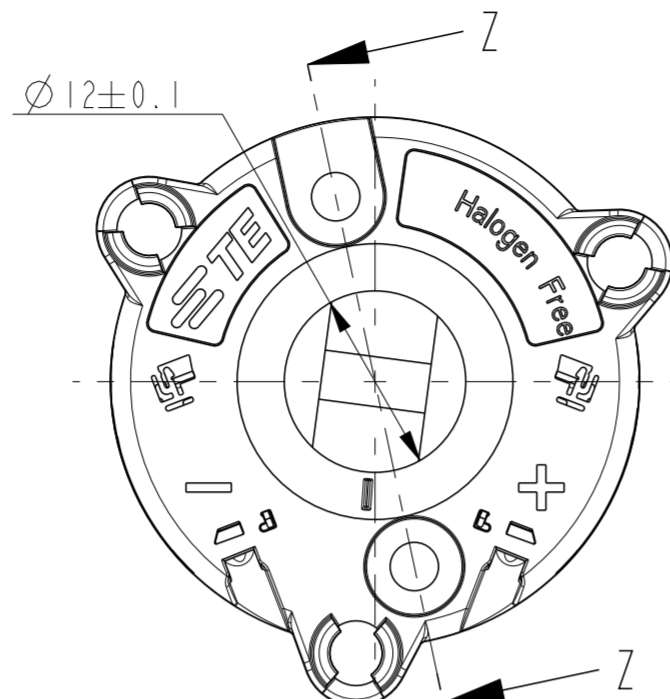
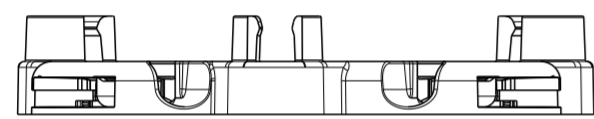
| REVISIONS | | | | |
|-----------|-----|-------------|------|------|
| P | LTR | DESCRIPTION | DATE | APVD |
| - | - | SEE SHEET 1 | - | - |
| | | | | |
| | | | | |

P/N 4-2213678-3

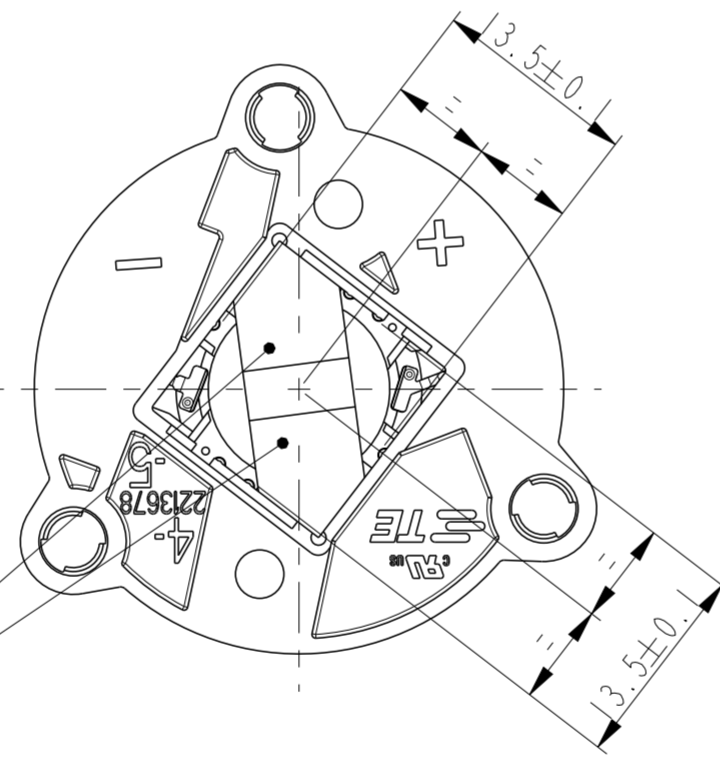
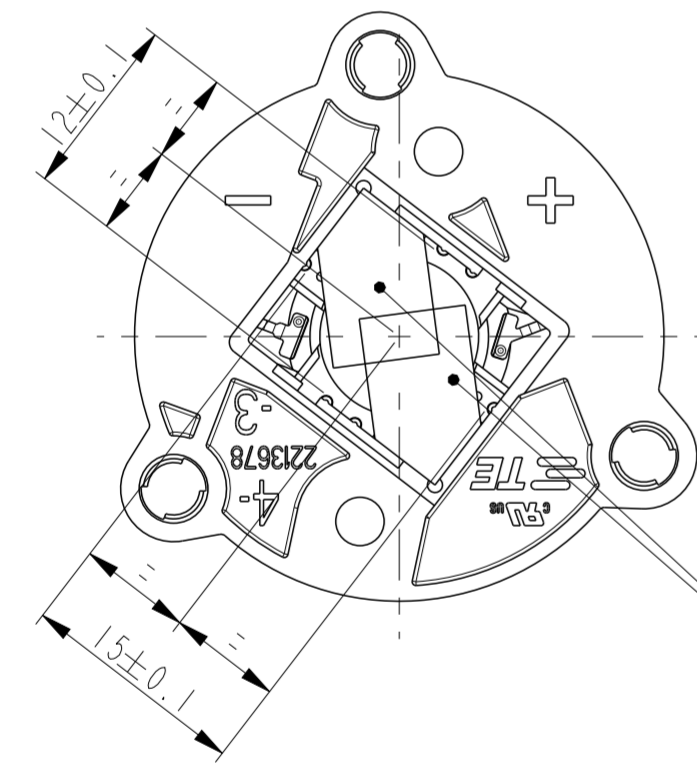
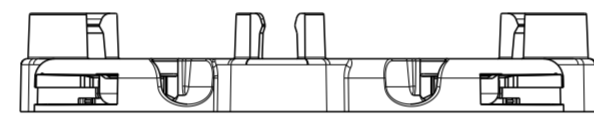
P/N 4-2213678-5



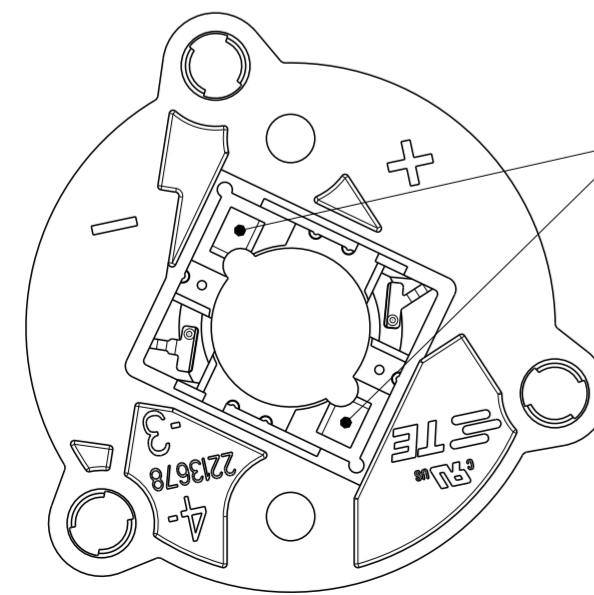
SCALE 2:1



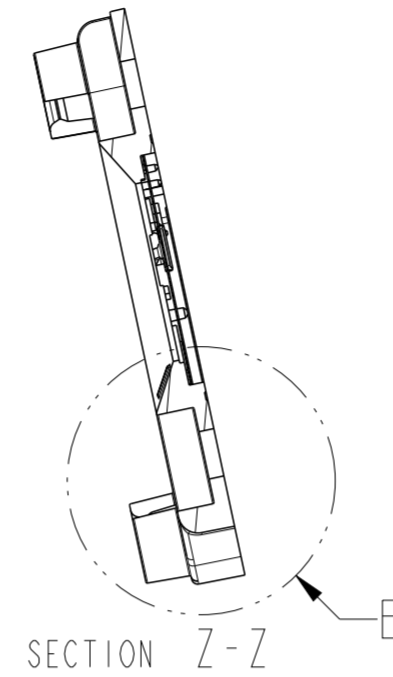
SCALE 2:1



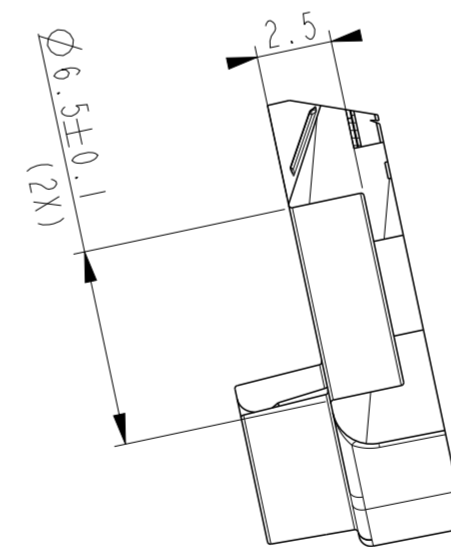
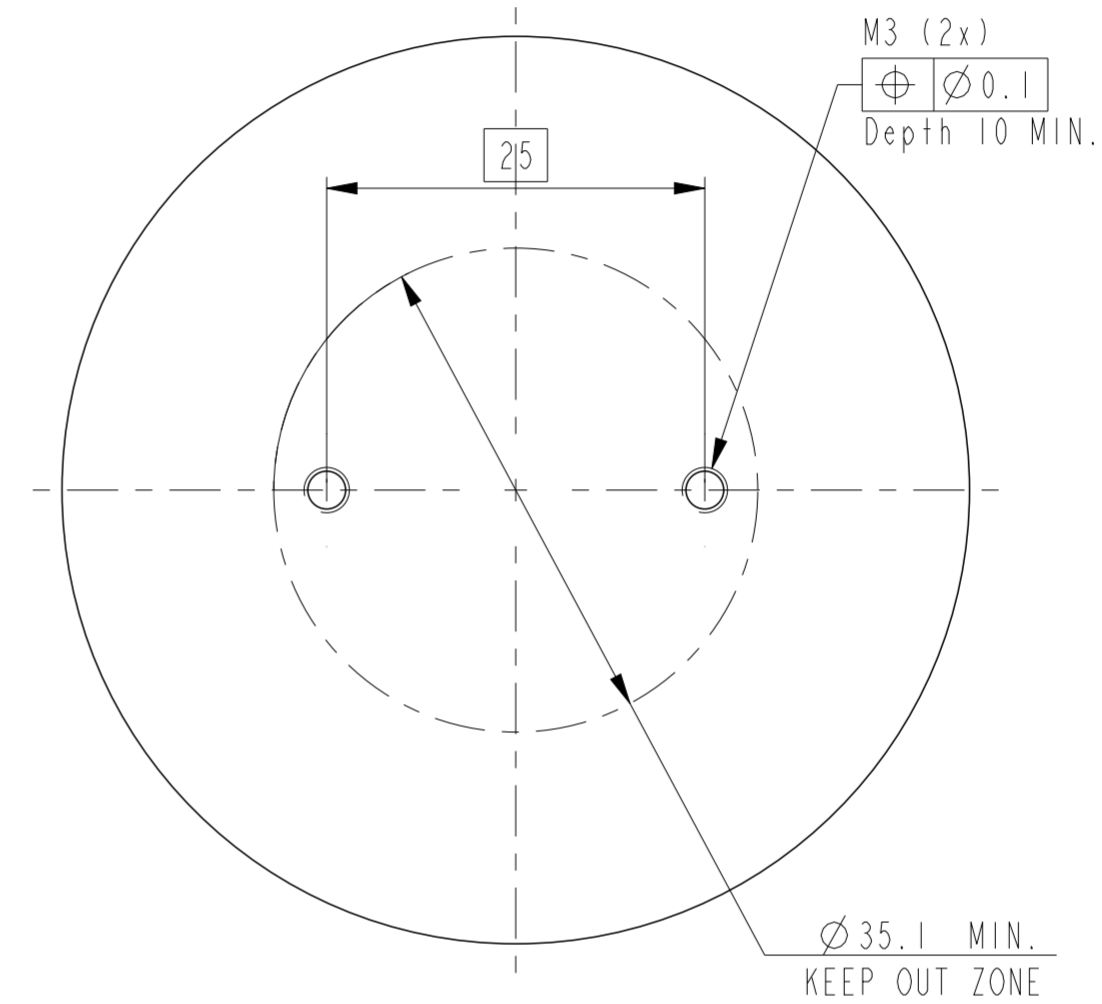
ADHESIVE TAPE WITH RELEASE LINER.



SCALE 2:1



RECOMMENDED DRILLING HOLE PATTERN



DETAIL B (4:1)

| | | | | |
|--|--------|-----------------------------|-------------------------------|-----------------|
| THIS DRAWING IS A CONTROLLED DOCUMENT. | | DWN P. POORTER 22MAY2015 | TE Connectivity | |
| DIMENSIONS: mm | | CHK O. LEIJNSE 22MAY2015 | | |
| TOLERANCES UNLESS OTHERWISE SPECIFIED: | | APVD O. LEIJNSE 22MAY2015 | NAME MINI COB HOLDER PLATFORM | |
| 0 PLC ± 0.2 | | PRODUCT SPEC 108-133062 | RESTRICTED TO | |
| 1 PLC ± 0.2 | | APPLICATION SPEC 114-133062 | SIZE A2 | CAGE CODE 00779 |
| 2 PLC ± 0.1 | | WEIGHT | DRAWING NO. C-2213678 | |
| 3 PLC ± 0.1 | | CUSTOMER DRAWING | SCALE 1:1 | SHEET 3 OF 3 |
| 4 PLC ± 0.1 | FINISH | REV C3 | | |

X-ON Electronics

Largest Supplier of Electrical and Electronic Components

Click to view similar products for [LED Lighting Mounting Accessories](#) category:

Click to view products by [TE Connectivity](#) manufacturer:

Other Similar products are found below :

[C16142_HEKLA-SOCKET-K](#) [3SU1401-1BG20-1AA0](#) [3SU1900-0BC31-0NB0](#) [ES16-RT](#) [1SFA616921R2042](#) [1SFA616921R2131](#)
[1SFA616921R2133](#) [1SFA616921R2143](#) [1SFA611621R1093](#) [B8910020](#) [D3980022](#) [E3990022](#) [E3990040](#) [CABI12 E BK 1M SET PRM](#)
[FLAT8 H/U BK 1M SET PRM](#) [BEGTIN12 J/S BK 1M SET PRM](#) [1-2213678-6](#) [C16791_CLAMP-Z45-A](#) [F17250_SOLDER-CLIP-A](#) [CM22-](#)
[4-20MA](#) [CM22-R10K-MT](#) [CM22-R1K](#) [CM22-R50K](#) [CM22-R5K-MT](#) [CM22-SLR](#) [10465](#) [M22-A](#) [M22-CK11](#) [M22-CK20](#) [M22G-XGPV](#)
[M22-K01](#) [M22-LCH-W](#) [M22-LC-R](#) [M22-LED230-R](#) [M22-LED230-W](#) [M22-LEDC230-G](#) [M22-LEDC-G](#) [M22-LEDC-W](#) [M22-LED-G](#)
[M22-LED-W](#) [M22-L-G](#) [M22-LH-G](#) [M22-LH-R](#) [M22-LH-W](#) [M22-L-R](#) [M22-L-W](#) [M22-L-X](#) [M22-MS](#) [M22-R10K](#) [M22-R1K](#)