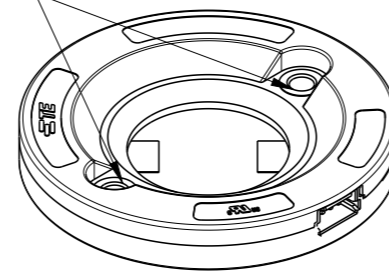
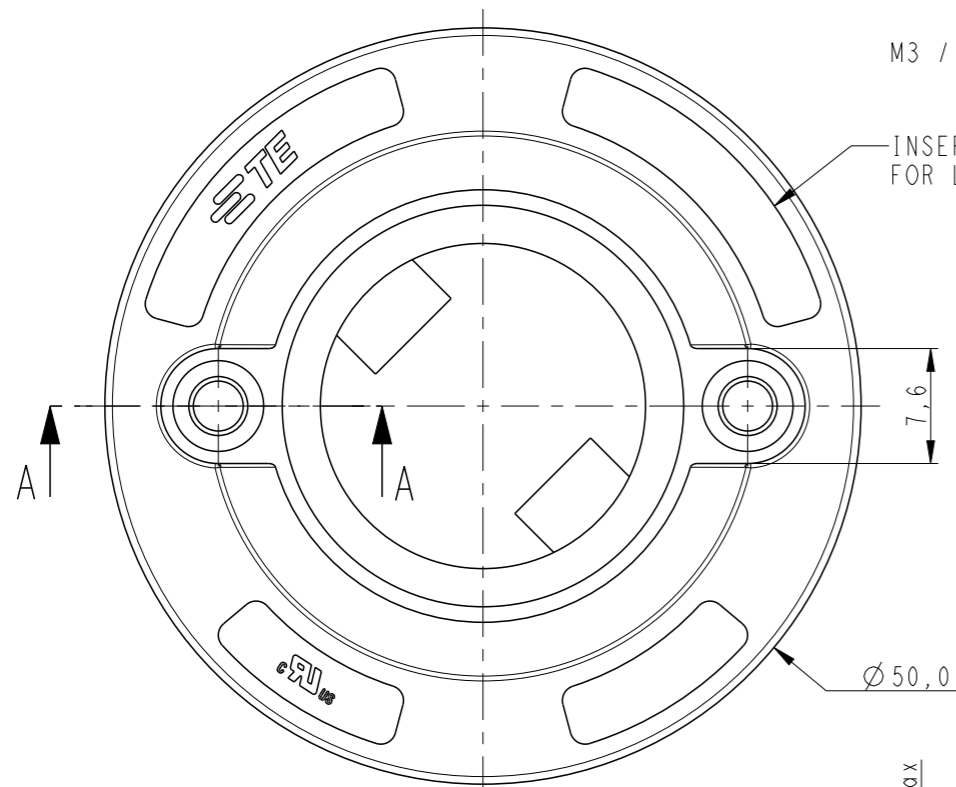


REVISIONS

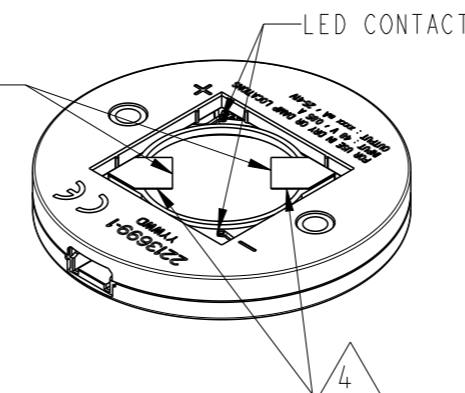
| P | LTR | DESCRIPTION | DATE | DWN | APVD |
|---|-----|---------------------------|-----------|-----|------|
| C | | REVISED PER ECR-19-014834 | 23SEP2019 | RS | MG |

NOTES:

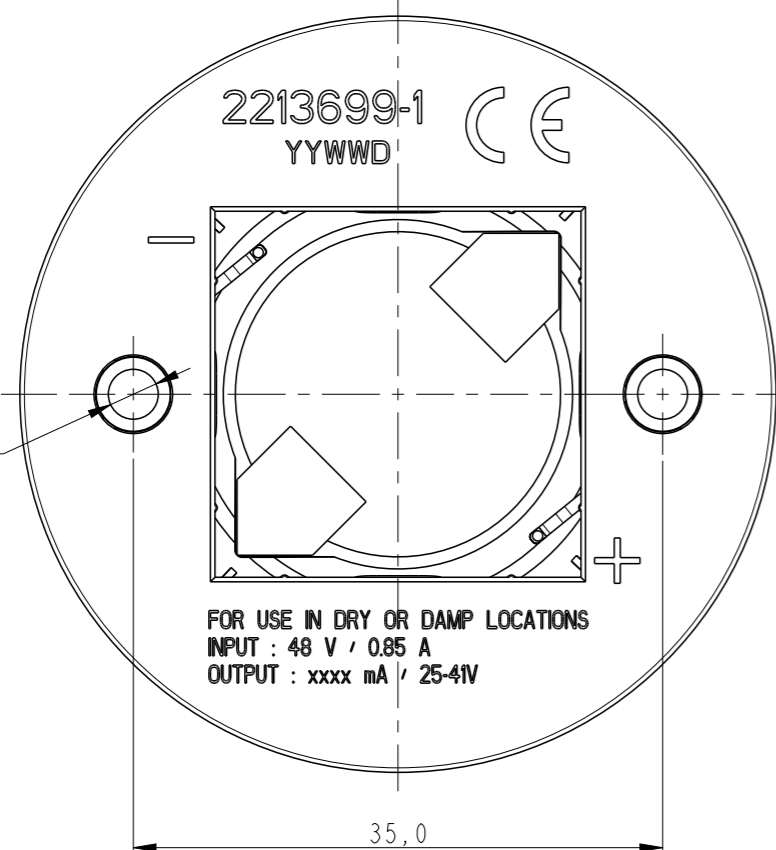
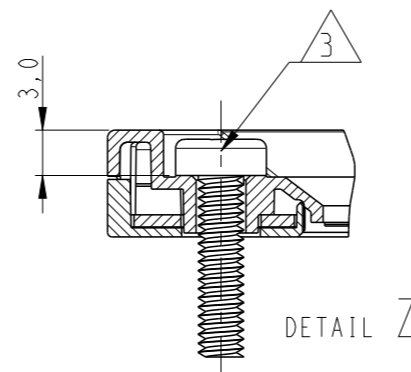
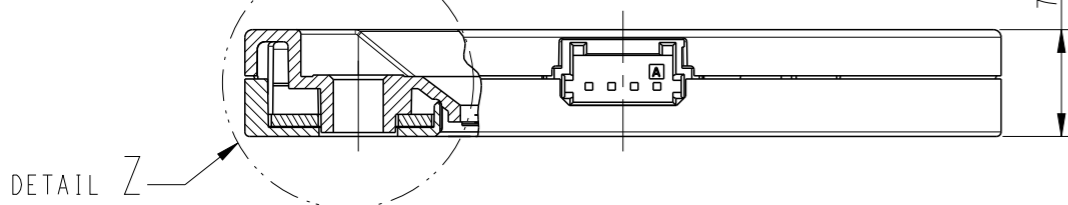
- MATERIALS:
HOUSING: GLASS FILLED PBT, HALOGEN FREE FLAME RETARDANT
COLOR : NATURAL
CONTACTS: GOLD PLATED COPPER ALLOY
- PRODUCT COMPLIES WITH RESTRICTION ON HAZARDOUS SUBSTANCES DIRECTIVE 2011/65/EU
- SCREW TO BE USED - PAN HEAD M3, #4-40, LENGTH 12mm MIN. RECOMMENDED SCREW TORQUE: 0.4 - 0.6 Nm
- LED RETENTION ON 2 CORNERS WITH DOUBLE SIDED ADHESIVE TAPE.
- MATING CONNECTOR TE PART NO: 353908-4 OR 6-353908-4
- DIMENSIONS SHOWN ARE IN MATED POSITION WITH LED
- SEE SHEET 3 FOR RECOMMENDED PIN LAYOUT & ADDITIONAL INFORMATION
- ELECTRICAL RATINGS:
- USE WITH A 48V DC CONSTANT VOLTAGE CLASS 2 POWER SUPPLY, ±10% TOLERANCE
- LED FORWARD VOLTAGE HAVE THE FOLLOWING RANGE: 25 - 41VDC
- FOR COB-TO-HOLDER CROSS REFERENCE, REFER TO APPLICATION SPECIFICATION 114-32208



REMOVE RELEASE LINER BEFORE ASSEMBLING LED



SECTION A-A



FOR USE IN DRY OR DAMP LOCATIONS
INPUT : 48 V / 0.85 A
OUTPUT : xxxx mA / 25-41V

PRODUCT DATA SHEET 1-1773935-6
FOR ADDITIONAL INFORMATION

| CURRENT (mA) | LED TYPE | DESCRIPTION | WEIGHT (g) | PART NO |
|--------------|----------|----------------------|------------|-------------|
| 1050 | 16x19 | ON/OFF, 1.05A, 16x19 | 9.48 | 3-2213699-4 |
| | 19x19 | ON/OFF, 1.05A, 19x19 | 9.38 | 3-2213699-3 |
| | 20x24 | ON/OFF, 1.05A, 20x24 | 9.33 | 3-2213699-2 |
| | 24x24 | ON/OFF, 1.05A, 24x24 | 9.09 | 3-2213699-1 |
| 700 | 16x19 | ON/OFF, 0.7A, 16x19 | 9.48 | 2-2213699-4 |
| | 19x19 | ON/OFF, 0.7A, 19x19 | 9.38 | 2-2213699-3 |
| | 20x24 | ON/OFF, 0.7A, 20x24 | 9.33 | 2-2213699-2 |
| | 24x24 | ON/OFF, 0.7A, 24x24 | 9.09 | 2-2213699-1 |
| 500 | 16x19 | ON/OFF, 0.5A, 16x19 | 9.48 | 1-2213699-4 |
| | 19x19 | ON/OFF, 0.5A, 19x19 | 9.38 | 1-2213699-3 |
| | 20x24 | ON/OFF, 0.5A, 20x24 | 9.33 | 1-2213699-2 |
| | 24x24 | ON/OFF, 0.5A, 24x24 | 9.09 | 1-2213699-1 |
| 350 | 16x19 | ON/OFF, 0.35A, 16x19 | 9.48 | 2213699-4 |
| | 19x19 | ON/OFF, 0.35A, 19x19 | 9.38 | 2213699-3 |
| | 20x24 | ON/OFF, 0.35A, 20x24 | 9.33 | 2213699-2 |
| | 24x24 | ON/OFF, 0.35A, 24x24 | 9.09 | 2213699-1 |

THIS DRAWING IS A CONTROLLED DOCUMENT.

| | |
|-----------------------|--|
| DIMENSIONS: mm | TOLERANCES UNLESS OTHERWISE SPECIFIED: |
| 0 PLC | ±- |
| 1 PLC | ±0.2 |
| 2 PLC | ±0.1 |
| 3 PLC | ±- |
| 4 PLC | ±- |
| ANGLES | ±- |
| FINISH | - |
| MATERIAL SEE NOTES | - |

| | |
|------------------|------------|
| DWN | 27OCT2016 |
| CHK | 16FEB2017 |
| APVD | 12APR2017 |
| PRODUCT SPEC | 108-133082 |
| APPLICATION SPEC | 114-133082 |
| WEIGHT | - |
| CUSTOMER DRAWING | |

STE TE Connectivity

NAME: LUMAWISE DRIVE TYPE Z50 ON-OFF VERSION

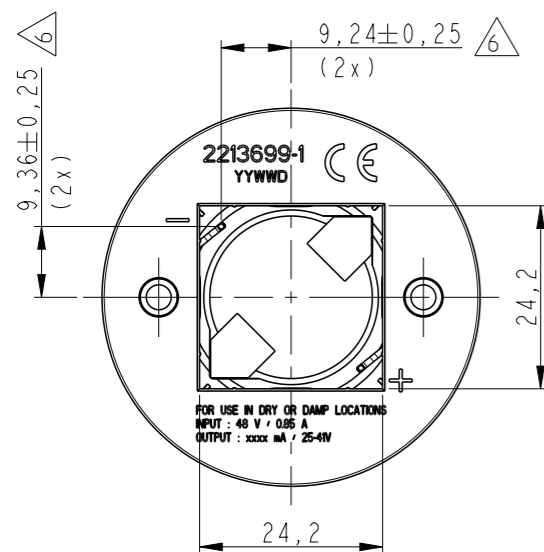
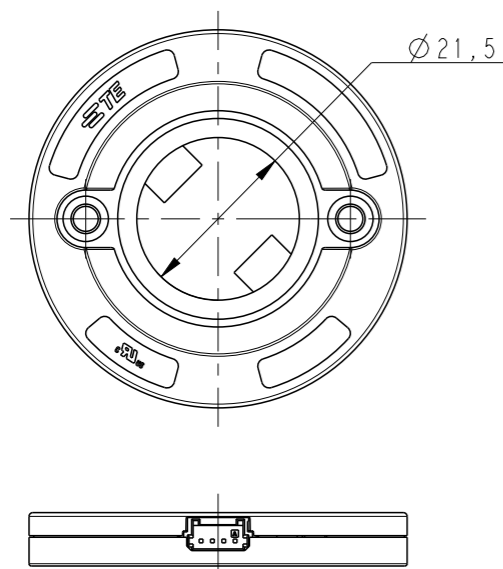
| | | | |
|------|-----------|------------|---------------|
| SIZE | CAGE CODE | DRAWING NO | RESTRICTED TO |
| A3 | 00779 | C-2213699 | - |

SCALE: 2:1 SHEET: 1 OF 3 REV: C

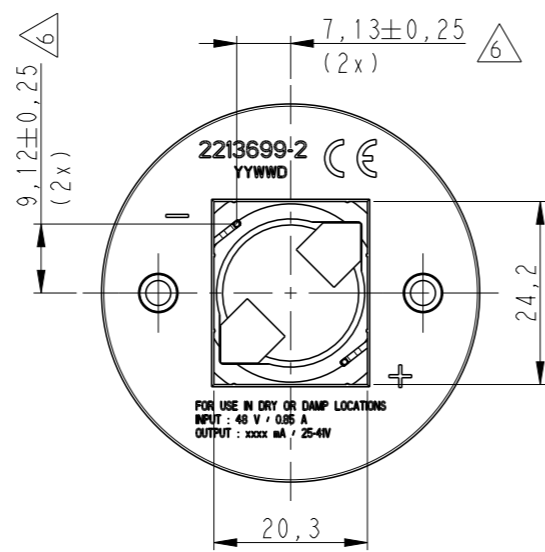
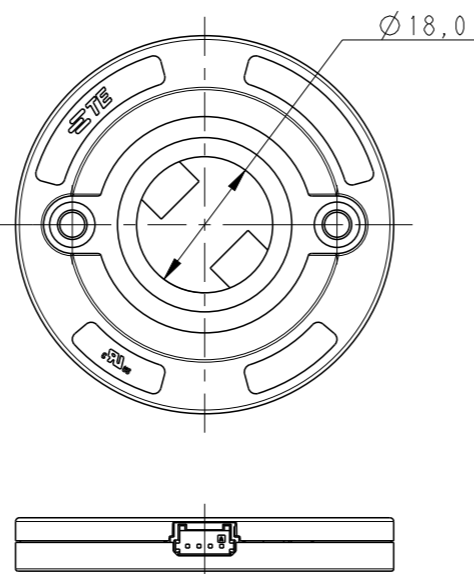
REVISIONS

| P | LTR | DESCRIPTION | DATE | DWN | APVD |
|---|-----|-------------|------|-----|------|
| | | | | | |

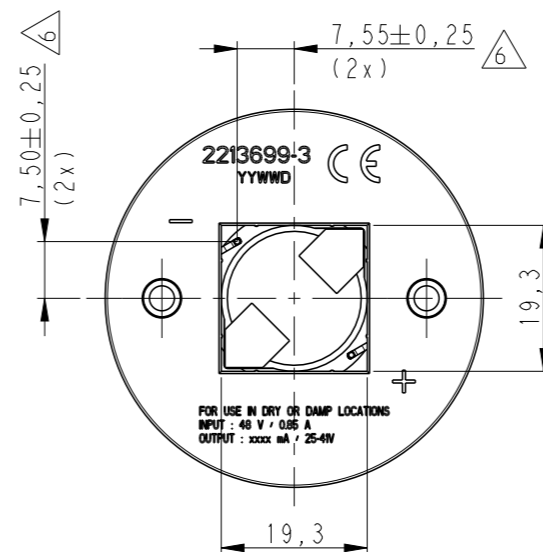
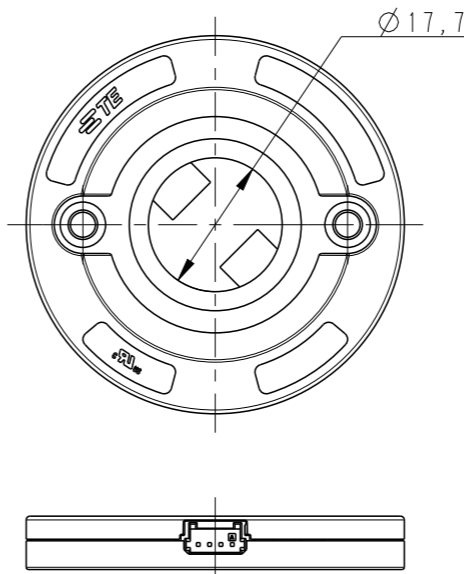
AS SHOWN 2213699-1
SCALE 1:1



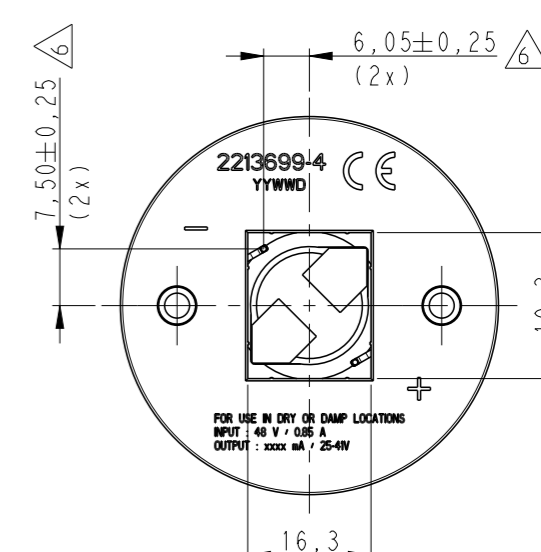
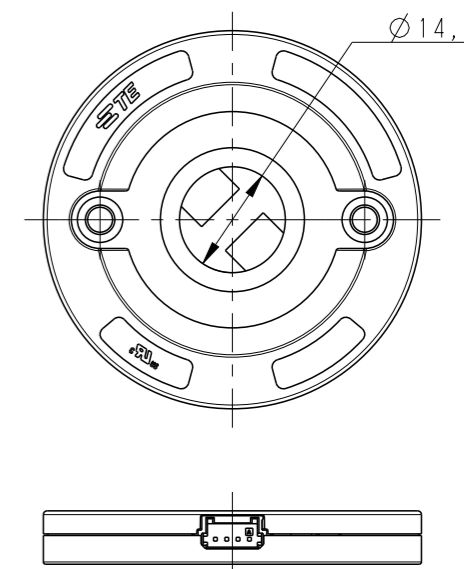
AS SHOWN 2213699-2
SCALE 1:1



AS SHOWN 2213699-3
SCALE 1:1

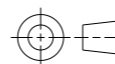


AS SHOWN 2213699-4
SCALE 1:1



THIS DRAWING IS A CONTROLLED DOCUMENT.

DIMENSIONS:
mm



MATERIAL
SEE NOTES

TOLERANCES UNLESS OTHERWISE SPECIFIED:

- 0 PLC ±-
- 1 PLC ±0.2
- 2 PLC ±0.1
- 3 PLC ±-
- 4 PLC ±-
- ANGLES ±-
- FINISH -

DWN 27OCT2016

SUBHASH.M

CHK 16FEB2017

O.LEIJNSE

APVD 12APR2017

O.LEIJNSE

PRODUCT SPEC

108-133082

APPLICATION SPEC

114-133082

WEIGHT

-

CUSTOMER DRAWING



TE Connectivity

NAME
LUMAWISE DRIVE TYPE Z50
ON-OFF VERSION

SIZE CAGE CODE DRAWING NO RESTRICTED TO

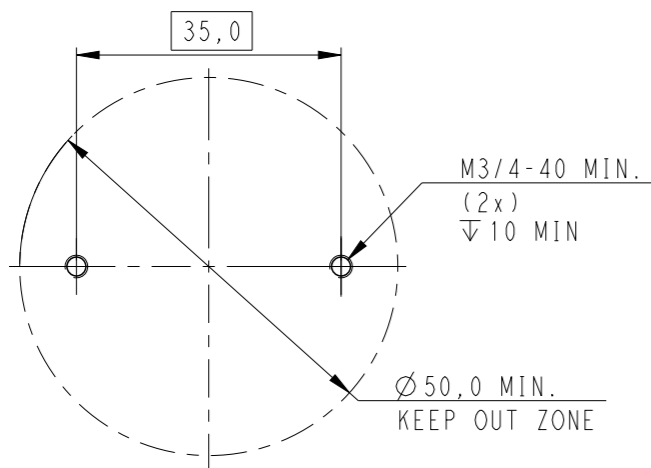
A3 00779 C-2213699

SCALE 3:2 SHEET 2 OF 3 REV C

REVISIONS

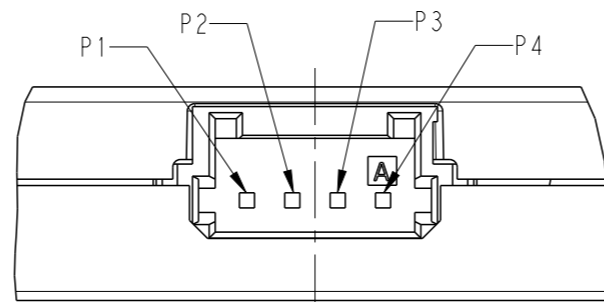
| P | LTR | DESCRIPTION | DATE | DWN | APVD |
|---|-----|-------------|------|-----|------|
| | | | | | |

RECOMMENDED DRILLING HOLE PATTERN



PIN LAYOUT

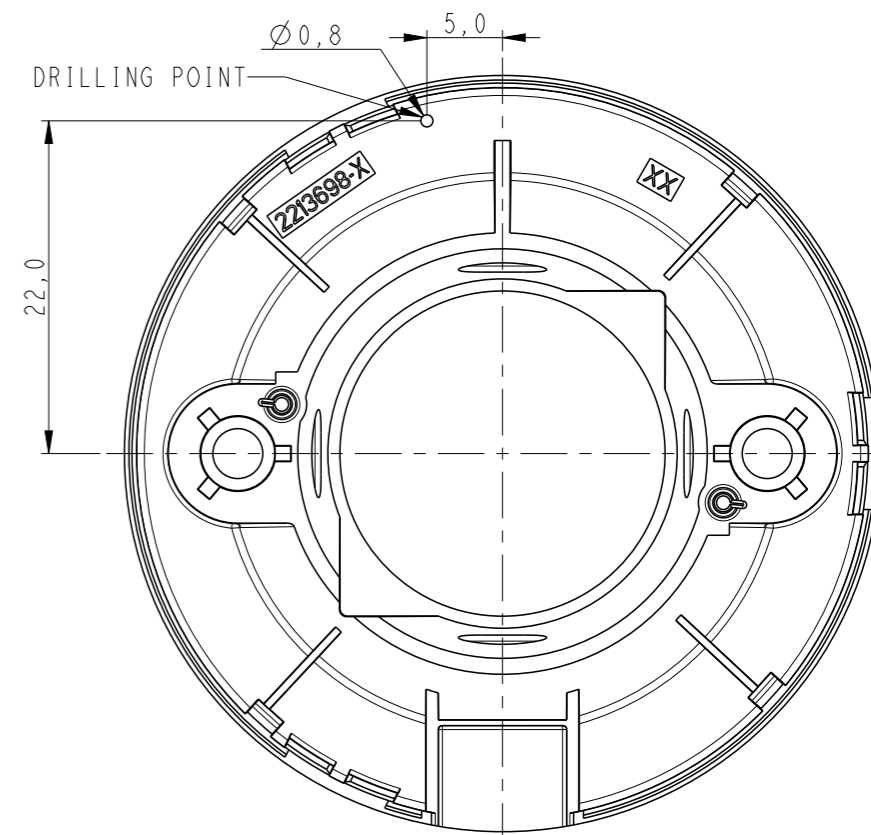
SCALE 4:1



| | |
|----|---------------|
| P1 | DO NOT USE |
| P2 | GROUND |
| P3 | 48VIN (+) |
| P4 | 48VIN (-) GND |

DRILLING LOCATION FOR Tc TESTING

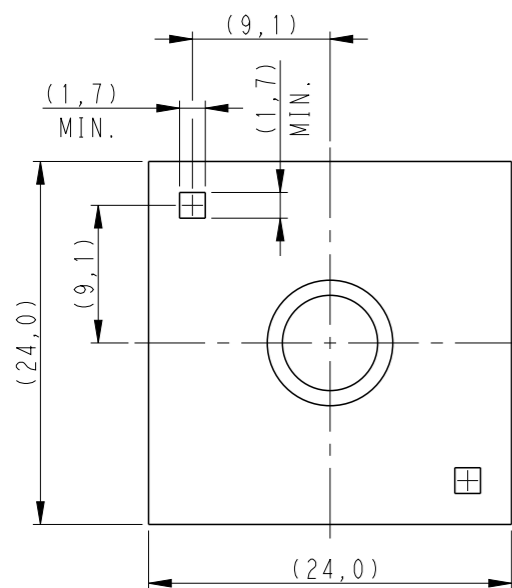
ONLY TOP COVER SHOWN



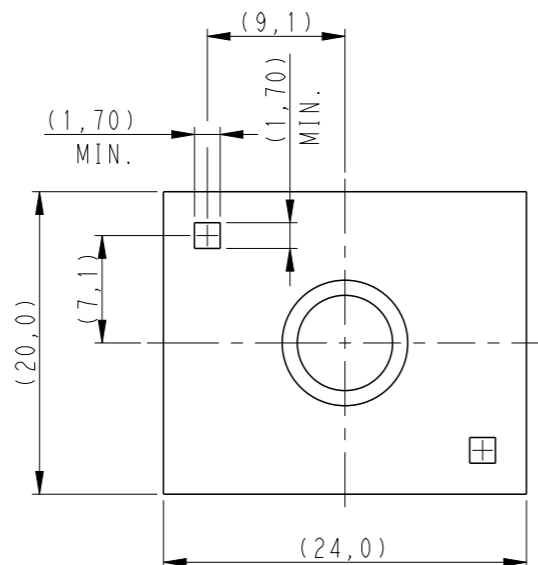
NOMINAL LED INFO:

THE SKETCH BELOW IS SHOWING THE ZHAGA BOOK 12 COB DIMENSIONS TO MATCH WITH THE LUMAWISE DRIVE TYPE Z50 LED HOLDER

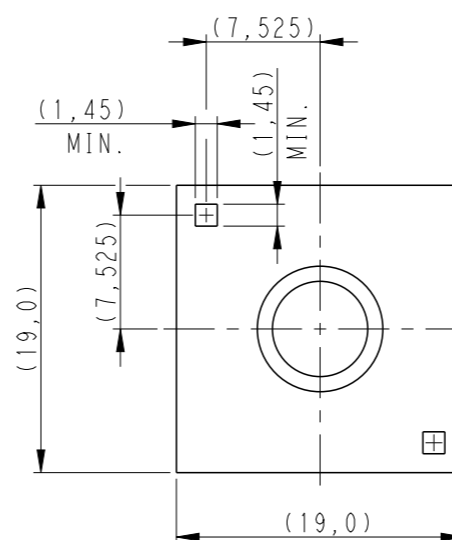
24x24 LAYOUT



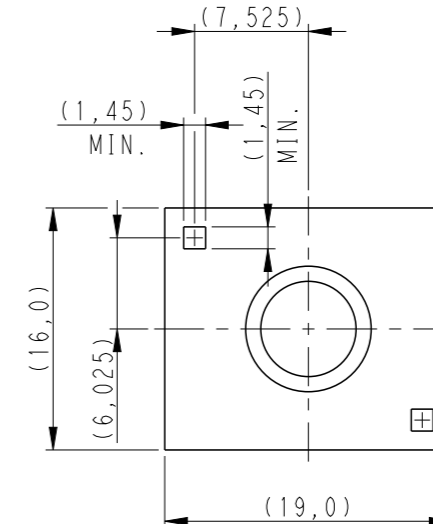
20x24 LAYOUT



19x19 LAYOUT



16x19 LAYOUT



THIS DRAWING IS A CONTROLLED DOCUMENT.

DWN SUBHASH.M 27OCT2016

CHK O.LEIJNSE 16FEB2017

APVD O.LEIJNSE 12APR2017

PRODUCT SPEC 108-133082

APPLICATION SPEC 114-133082

WEIGHT -

CUSTOMER DRAWING



TE Connectivity

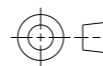
NAME LUMAWISE DRIVE TYPE Z50 ON-OFF VERSION

SIZE A3 CAGE CODE 00779 DRAWING NO C-2213699 RESTRICTED TO -

SCALE 2:1 SHEET 3 OF 3 REV C

DIMENSIONS: mm

TOLERANCES UNLESS OTHERWISE SPECIFIED:



| | |
|--------|------|
| 0 PLC | ±- |
| 1 PLC | ±0.2 |
| 2 PLC | ±0.1 |
| 3 PLC | ±- |
| 4 PLC | ±- |
| ANGLES | ±- |
| FINISH | - |

MATERIAL SEE NOTES

X-ON Electronics

Largest Supplier of Electrical and Electronic Components

Click to view similar products for [LED Lighting Mounting Accessories](#) category:

Click to view products by [TE Connectivity](#) manufacturer:

Other Similar products are found below :

[C16142_HEKLA-SOCKET-K](#) [3SU1401-1BG20-1AA0](#) [3SU1900-0BC31-0NB0](#) [ES16-RT](#) [1SFA616921R2042](#) [1SFA616921R2131](#)
[1SFA616921R2133](#) [1SFA616921R2143](#) [1SFA611621R1093](#) [B8910020](#) [D3980022](#) [E3990022](#) [E3990040](#) [CABI12 E BK 1M SET PRM](#)
[FLAT8 H/U BK 1M SET PRM](#) [BEGTIN12 J/S BK 1M SET PRM](#) [1-2213678-6](#) [C16791_CLAMP-Z45-A](#) [F17250_SOLDER-CLIP-A](#) [CM22-](#)
[4-20MA](#) [CM22-R10K-MT](#) [CM22-R1K](#) [CM22-R50K](#) [CM22-R5K-MT](#) [CM22-SLR](#) [10465](#) [M22-A](#) [M22-CK11](#) [M22-CK20](#) [M22G-XGPV](#)
[M22-K01](#) [M22-LCH-W](#) [M22-LC-R](#) [M22-LED230-R](#) [M22-LED230-W](#) [M22-LEDC230-G](#) [M22-LEDC-G](#) [M22-LEDC-W](#) [M22-LED-G](#)
[M22-LED-W](#) [M22-L-G](#) [M22-LH-G](#) [M22-LH-R](#) [M22-LH-W](#) [M22-L-R](#) [M22-L-W](#) [M22-L-X](#) [M22-MS](#) [M22-R10K](#) [M22-R1K](#)