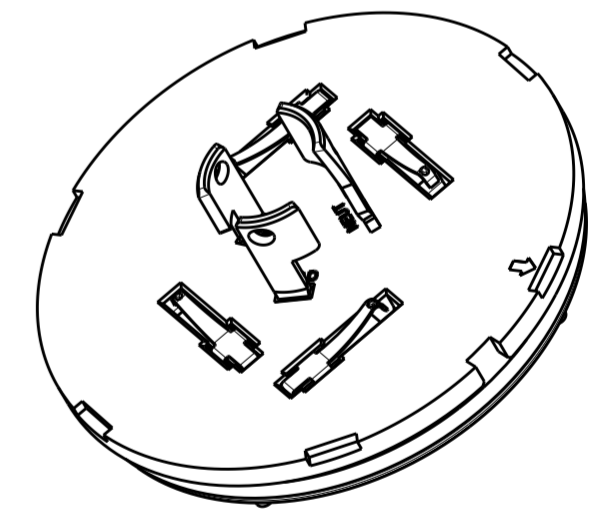
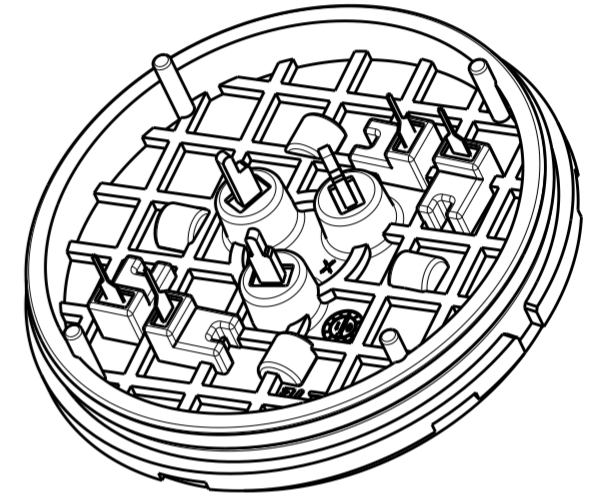
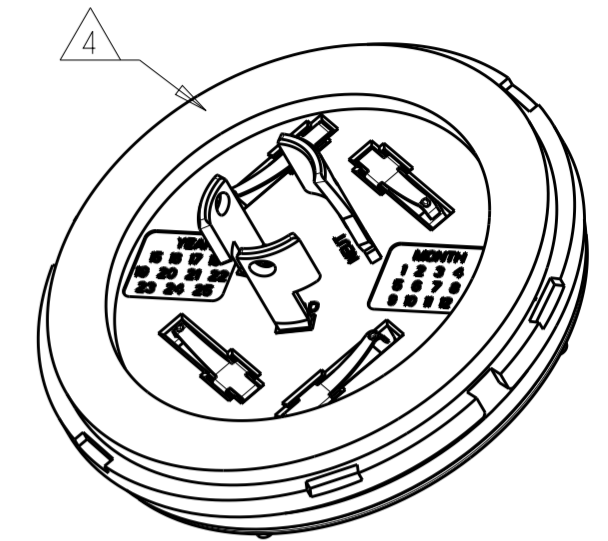
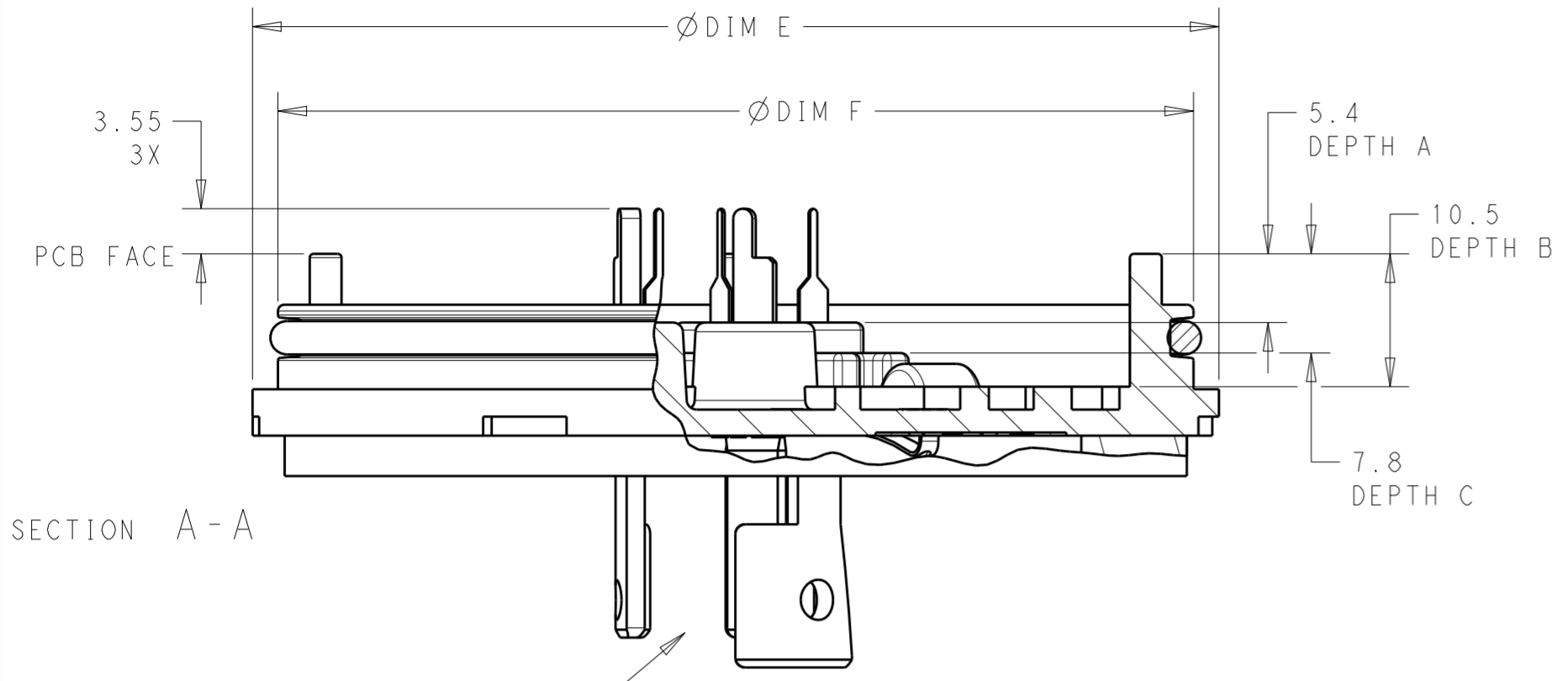


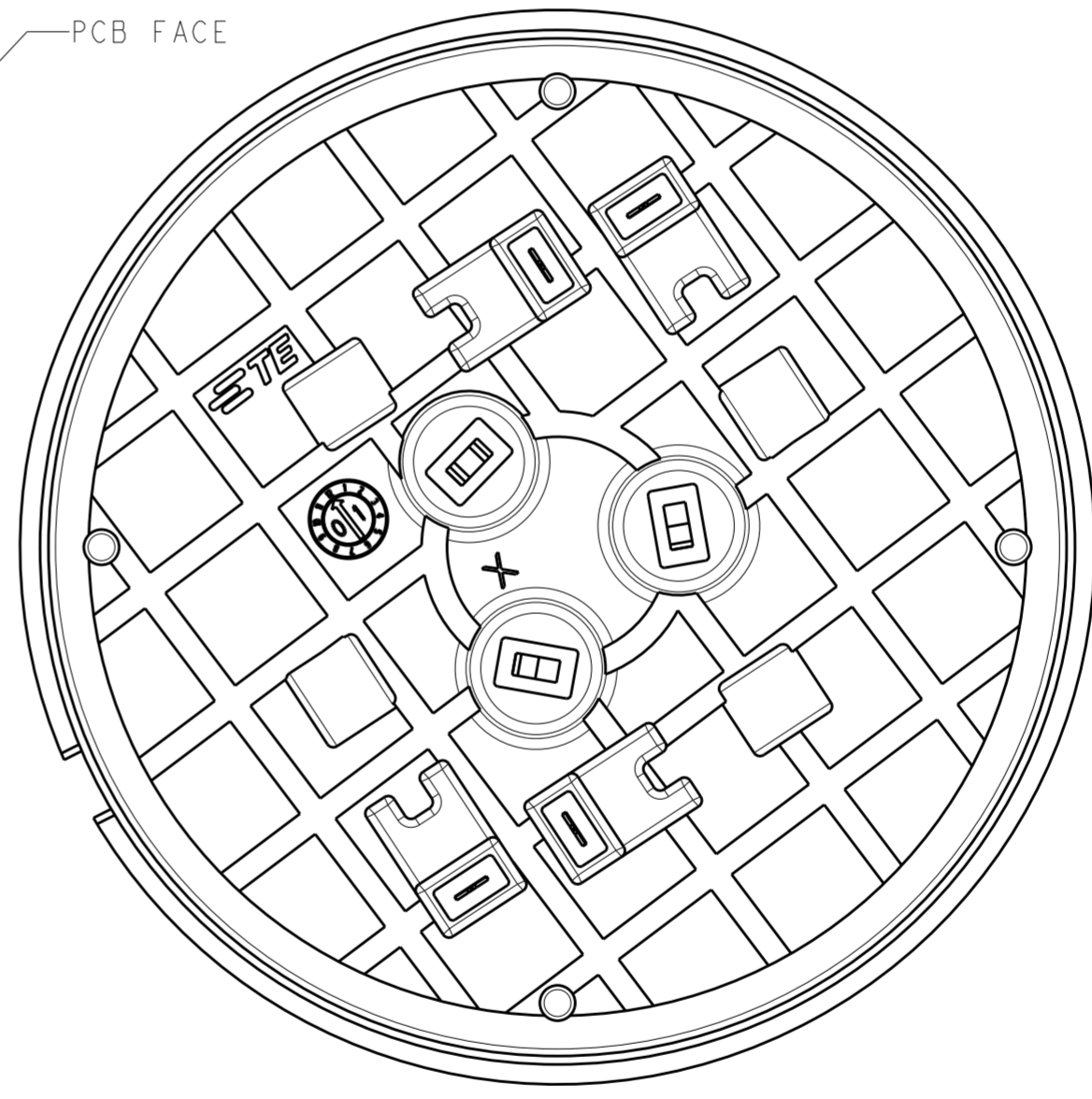
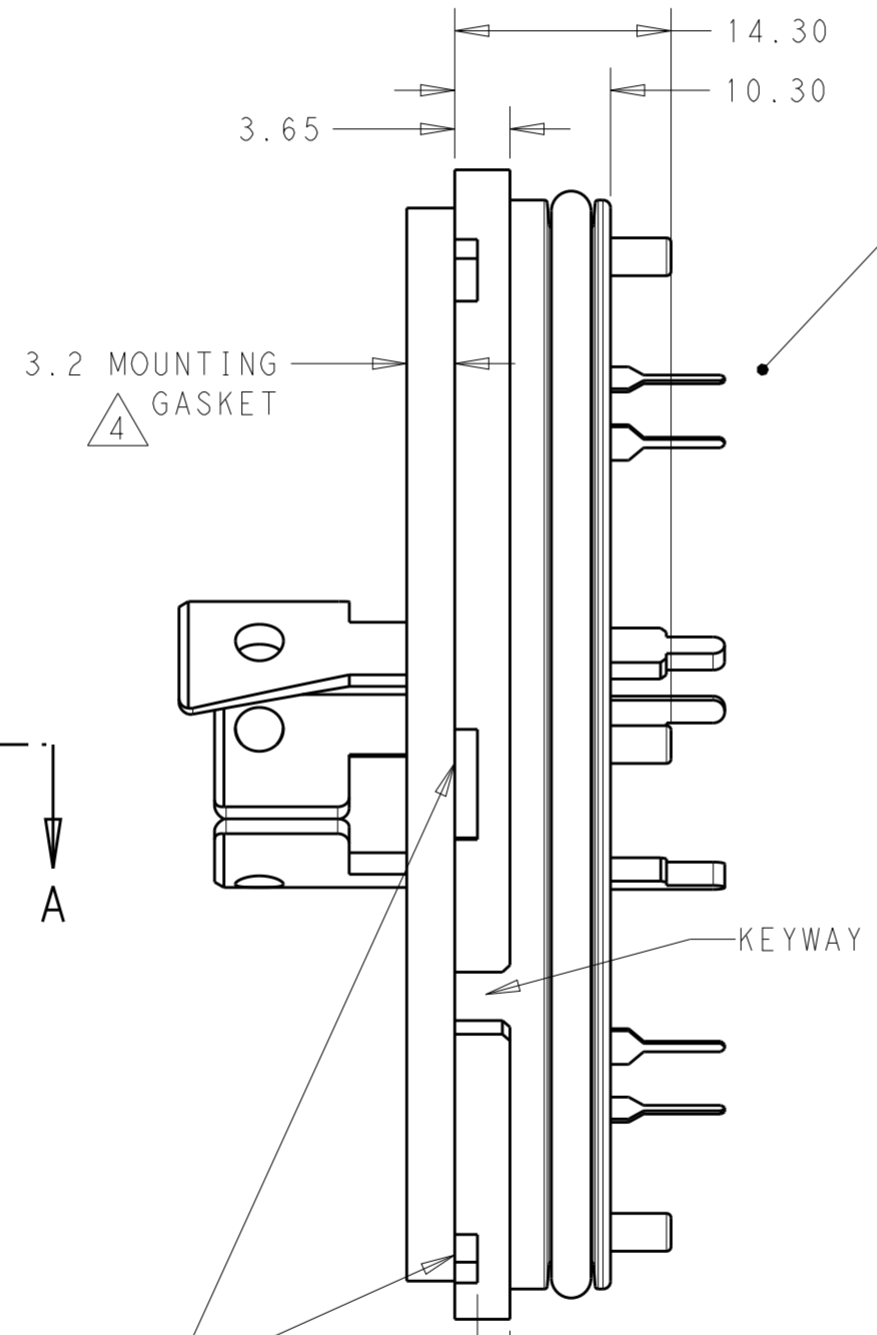
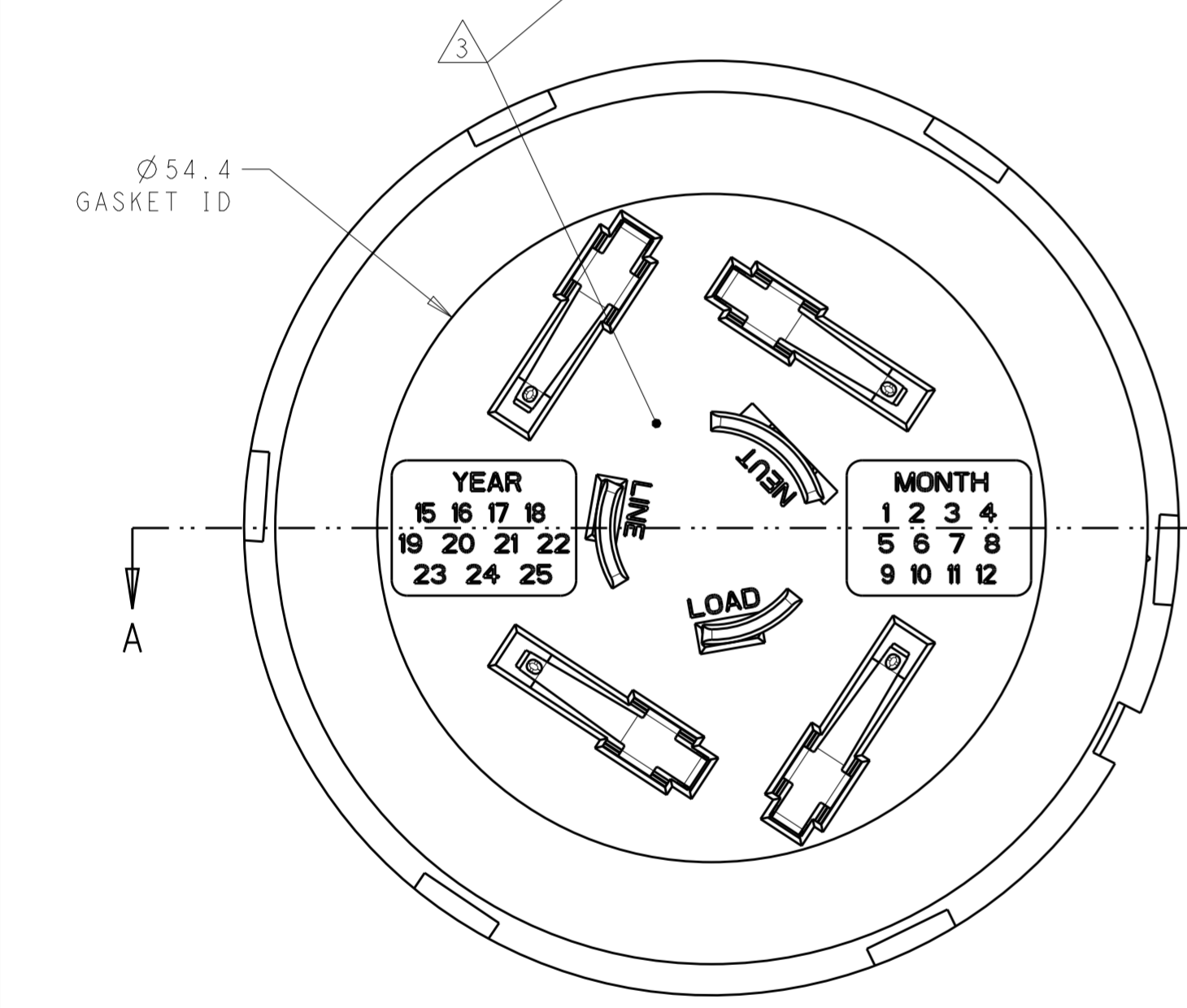
THIS DRAWING IS UNPUBLISHED. RELEASED FOR PUBLICATION 20
 © COPYRIGHT 20 BY - ALL RIGHTS RESERVED.

REVISIONS						
P	LTR	DESCRIPTION	DATE	DWN	APVD	
A7		REVISED PER ECR-18-019587	14DEC2018	JS	DD	

- NOTES:
- 1 MATERIALS:
 HOUSING: PBT
 DIMMING CONTACTS (QTY. 4): COPPER ALLOY
 LINE VOLTAGE CONTACTS (QTY. 3): COPPER ALLOY
 GASKET: VINYL/NITRILE FOAM
 O-RING: SILICONE RUBBER
 - 2 FINISH:
 DIMMING CONTACTS: NICKEL UNDERPLATE ENTIRE
 CONTACT 0.127 µm MIN THICK. SELECTIVE GOLD PLATE CONTACT
 MATING AREA (MATING FACE SIDE ONLY) 0.76 µm MIN THICK.
 MATTE TIN PLATE TAB ON BOTH SIDES 0.30 µm MIN THICK.
 LINE VOLTAGE CONTACTS: MATTE TIN PLATE
 - 3 MATING INTERFACE PER ANSI C136.41-2013.
 - 4 ADHESIVE BACKED GASKET SUPPLIED BUT NOT INSTALLED
 - 5 MATING CAP TE P/N: 2213748-X



1-2213730-1 SHOWN



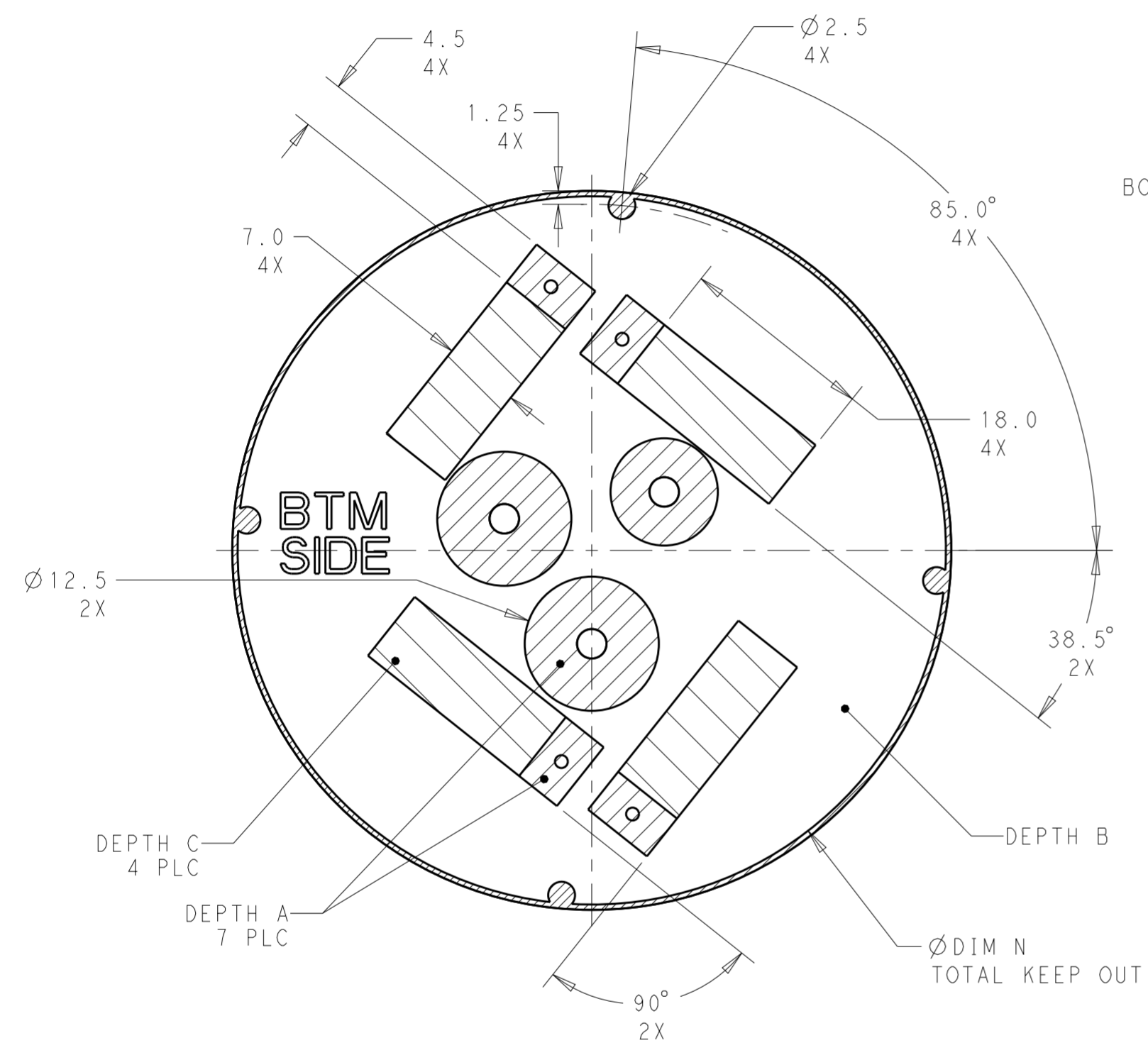
2213730-1 SHOWN

Ø77.00	Ø73.00	Ø66.00	Ø69.00	Ø72.00	Ø76.00	1-2213730-1
Ø77.00	Ø73.00	Ø66.00	Ø69.00	Ø72.00	Ø76.00	2213730-1
DIM Y	DIM X	DIM N	DIM M	DIM F	DIM E	PART NO.

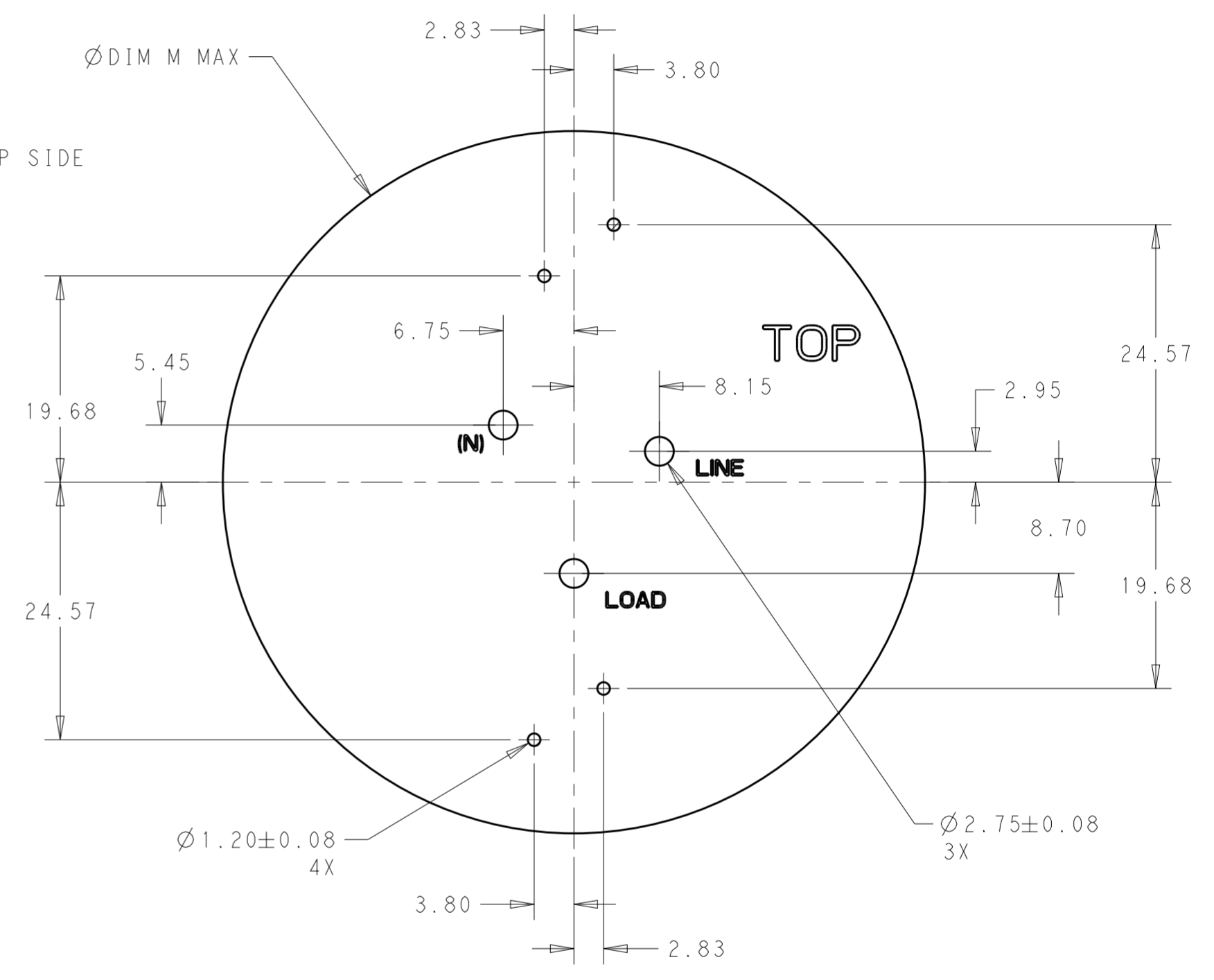
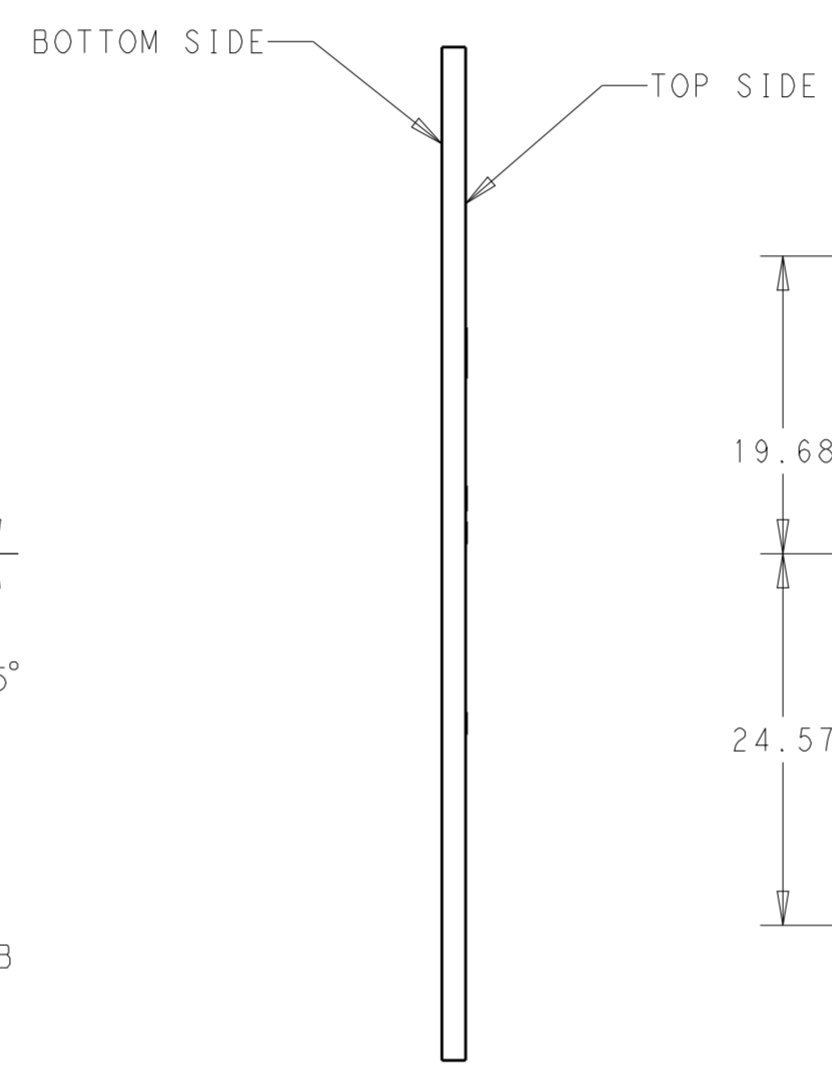
THIS DRAWING IS A CONTROLLED DOCUMENT.		DWN C. DAILY 28SEP2015	TE Connectivity BASE ASSEMBLY, LIGHT CONTROLLER			
		CHK E. HOWARD 28SEP2015				
DIMENSIONS: mm		APVD -	PRODUCT SPEC 108-32125		NAME	
TOLERANCES UNLESS OTHERWISE SPECIFIED: 0 PLC ± 1 PLC ±0.2 2 PLC ±0.13 3 PLC ± 4 PLC ± ANGLES ±3° FINISH		APVD -	APPLICATION SPEC 114-32159		SIZE A2	
MATERIAL		APVD -	WEIGHT -		CAGE CODE -	
1 -		CUSTOMER DRAWING		DRAWING NO. G-2213730		
		SCALE 2:1		RESTRICTED TO -		
		SHEET 1 OF 3		REV A7		

THIS DRAWING IS UNPUBLISHED. RELEASED FOR PUBLICATION 20
 © COPYRIGHT 20 BY - ALL RIGHTS RESERVED.

REVISIONS							
LOC	DIST	P	LTR	DESCRIPTION	DATE	DWN	APVD
-	-	-	-	SEE SHEET 1	-	-	-



COMPONENT KEEP OUT AREAS

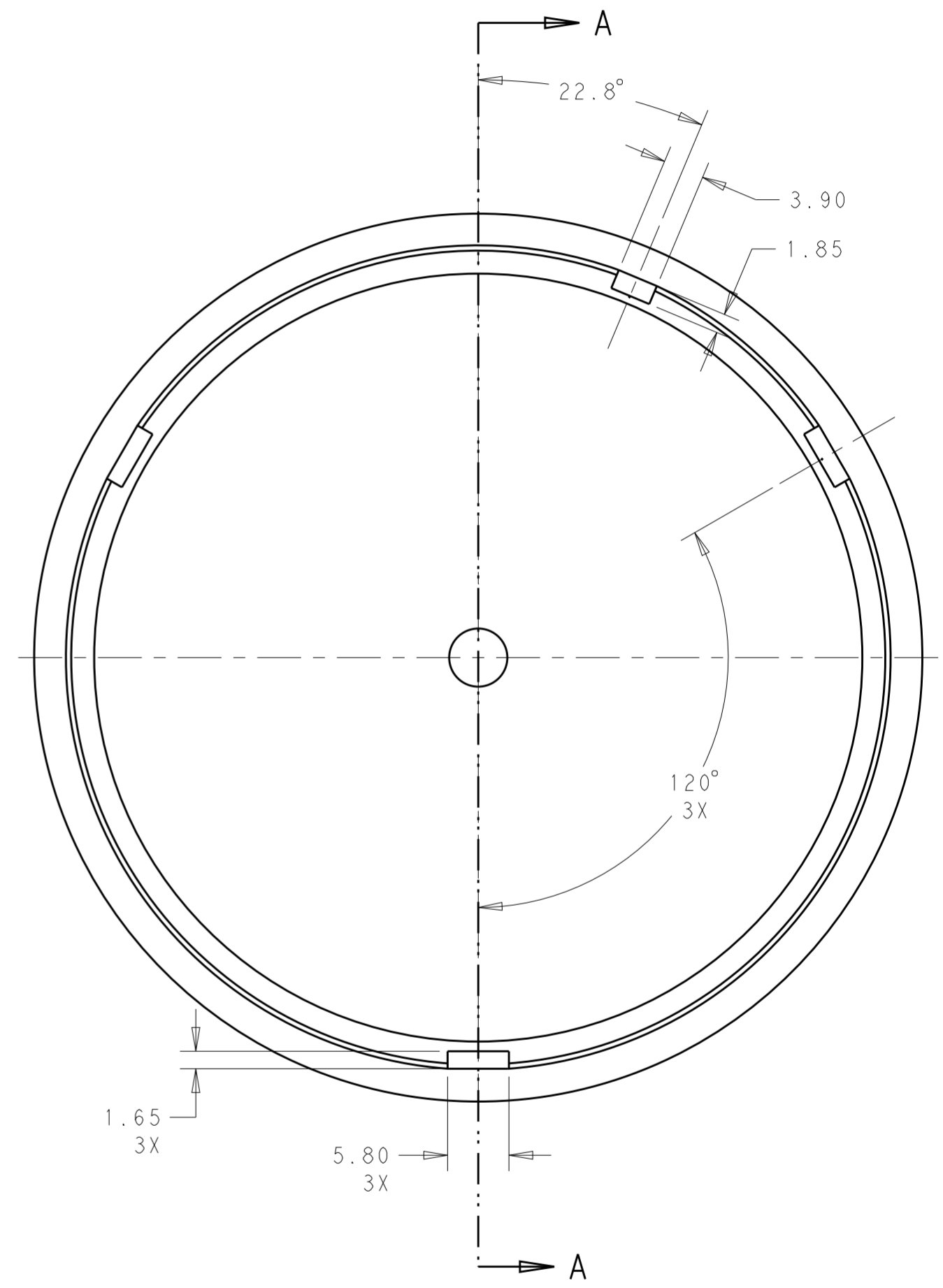
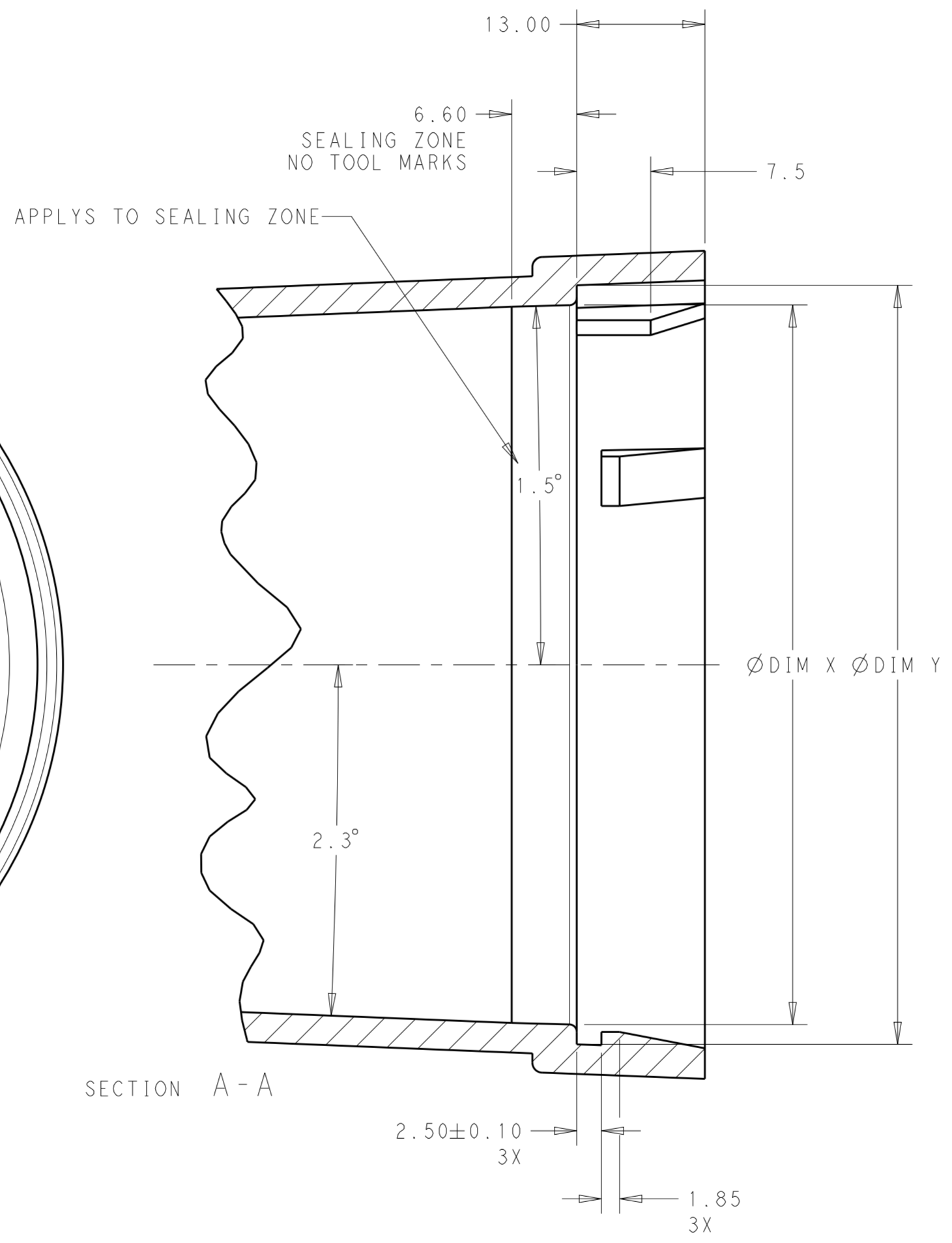
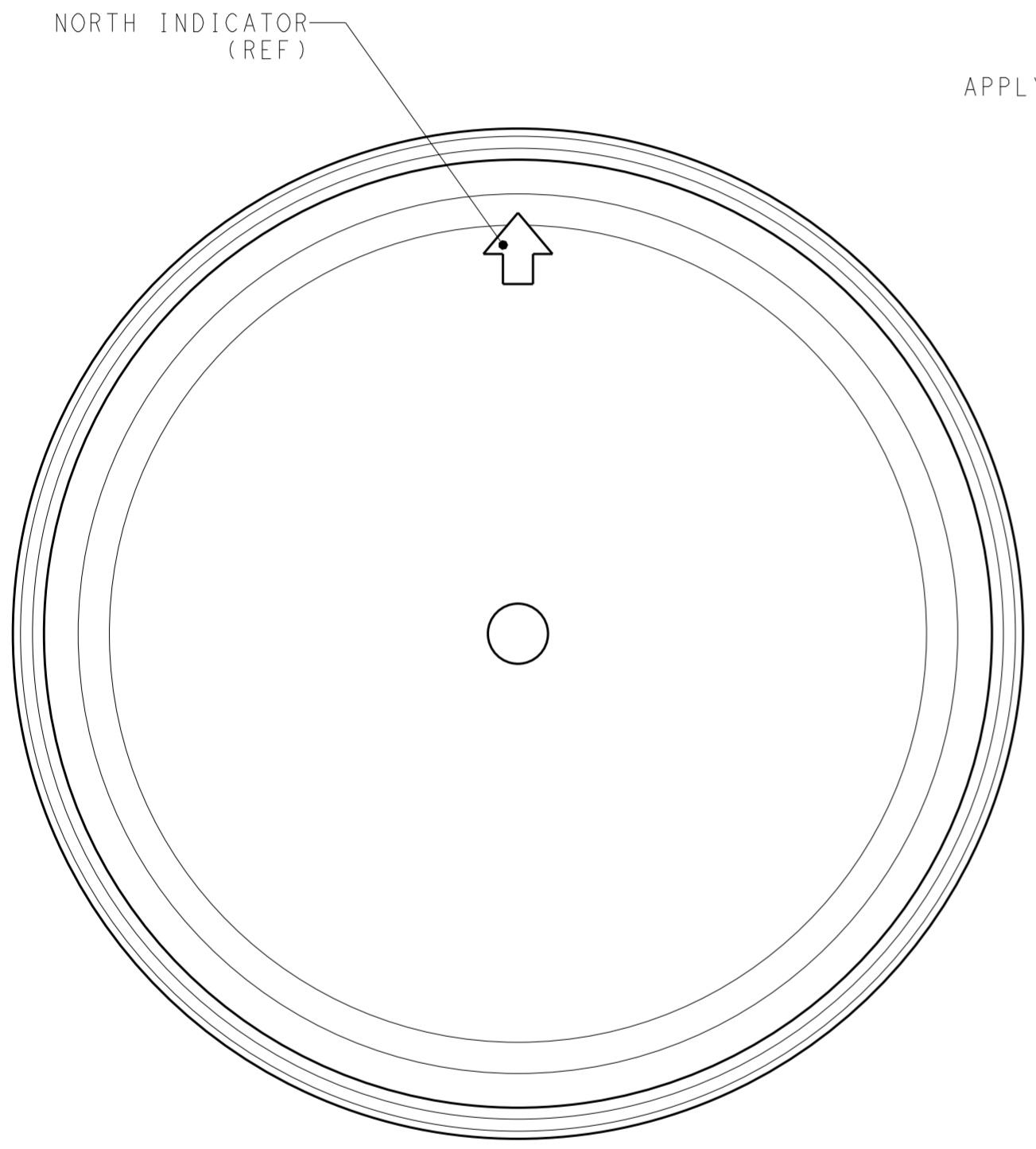


RECOMMENDED PCB SCALE 2:1

THIS DRAWING IS A CONTROLLED DOCUMENT.		DWN C. DAILY 28SEP2015	TE Connectivity	
		CHK E. HOWARD 28SEP2015		
DIMENSIONS: mm 		TOLERANCES UNLESS OTHERWISE SPECIFIED: 0 PLC ± 1 PLC ±0.2 2 PLC ±0.13 3 PLC ± 4 PLC ± ANGLES ±3° FINISH		NAME BASE ASSEMBLY, LIGHT CONTROLLER
MATERIAL		APVD	PRODUCT SPEC	RESTRICTED TO
		-	108-32125	-
		-	APPLICATION SPEC	SIZE
		-	114-32159	A2
		-	WEIGHT	CAGE CODE
		-	-	-
		-	CUSTOMER DRAWING	DRAWING NO
		-	-	G-2213730
		-	SCALE 2:1	SHEET 2 OF 3
		-		REV A7

THIS DRAWING IS UNPUBLISHED. RELEASED FOR PUBLICATION 20
 © COPYRIGHT 20 BY - ALL RIGHTS RESERVED.

LOC		DIST		REVISIONS			
P	LTR	DESCRIPTION	DATE	DWN	APVD		
-	-	SEE SHEET 1	-	-	-		



MATING CAP DIMENSIONS 5

THIS DRAWING IS A CONTROLLED DOCUMENT.		DWN C. DAILY 28SEP2015	TE Connectivity	
		CHK E. HOWARD 28SEP2015		
DIMENSIONS:		APVD		NAME
mm		PRODUCT SPEC		BASE ASSEMBLY, LIGHT CONTROLLER
TOLERANCES UNLESS OTHERWISE SPECIFIED:		APPLICATION SPEC		SIZE
0 PLC ±	1 PLC ±0.2	114-32159		A2
2 PLC ±0.13	3 PLC ±	WEIGHT		CAGE CODE
4 PLC ±	ANGLES ±3°	CUSTOMER DRAWING		-
FINISH		SCALE 2:1		DRAWING NO
		SHEET 3 OF 3		REV A7

X-ON Electronics

Largest Supplier of Electrical and Electronic Components

Click to view similar products for [LED Lighting Fixture Accessories](#) category:

Click to view products by [TE Connectivity](#) manufacturer:

Other Similar products are found below :

[XVBC081](#) [1-2315539-1](#) [2306129-1](#) [180997-0001](#) [1-2213996-1](#) [4821](#) [2702312](#) [MC39-1J-UNNU](#) [X48V](#) [XF088](#) [XG085](#) [XJ078](#) [XK075](#)
[XL073](#) [XN068](#) [XO065](#) [XP063](#) [XR058](#) [XQ060](#) [XH083](#) [XE090](#) [XS055](#) [XC095](#) [XT053](#) [XU050](#) [XV-TD](#) [4775](#) [5012](#) [5014](#) [LL01A00CSLB2](#)
[LL01A00CWGB2](#) [1301130007](#) [1301120097](#) [1301120099](#) [1301120101](#) [1301120114](#) [1301120153](#) [1301120154](#) [1301120157](#) [1301120174](#)
[1301120110](#) [1301120137](#) [1301120130](#) [1301860719](#) [1301120131](#) [1301120144](#) [1301120196](#) [1301850471](#) [2702313](#) [2702315](#)