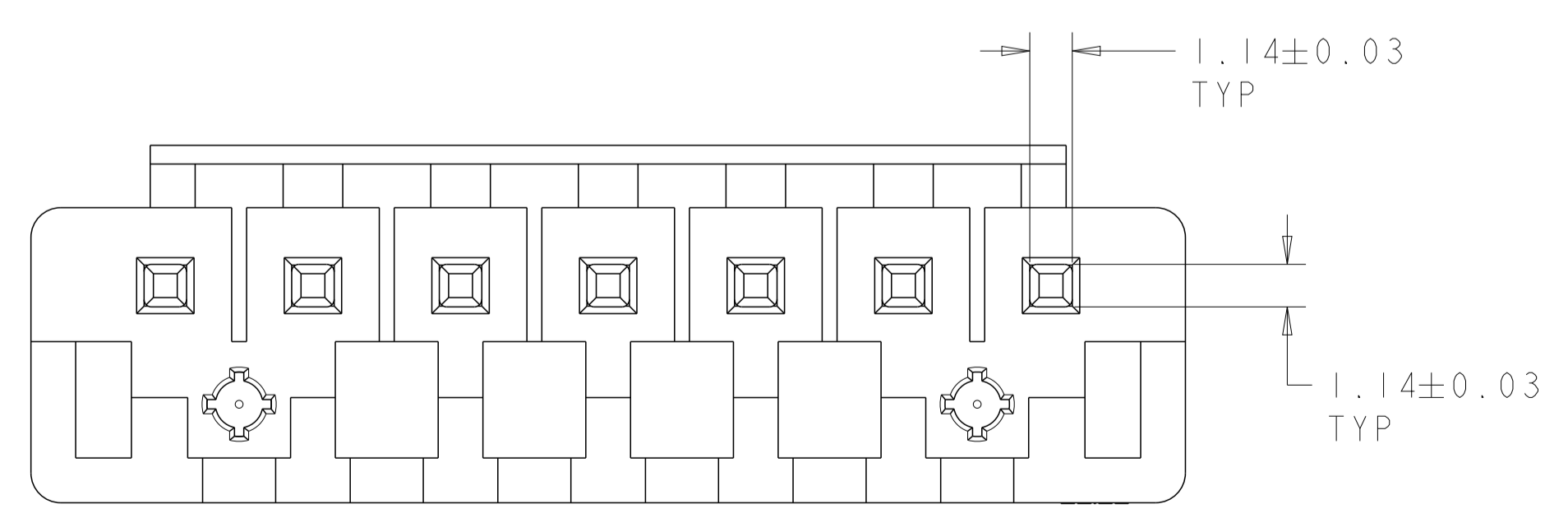
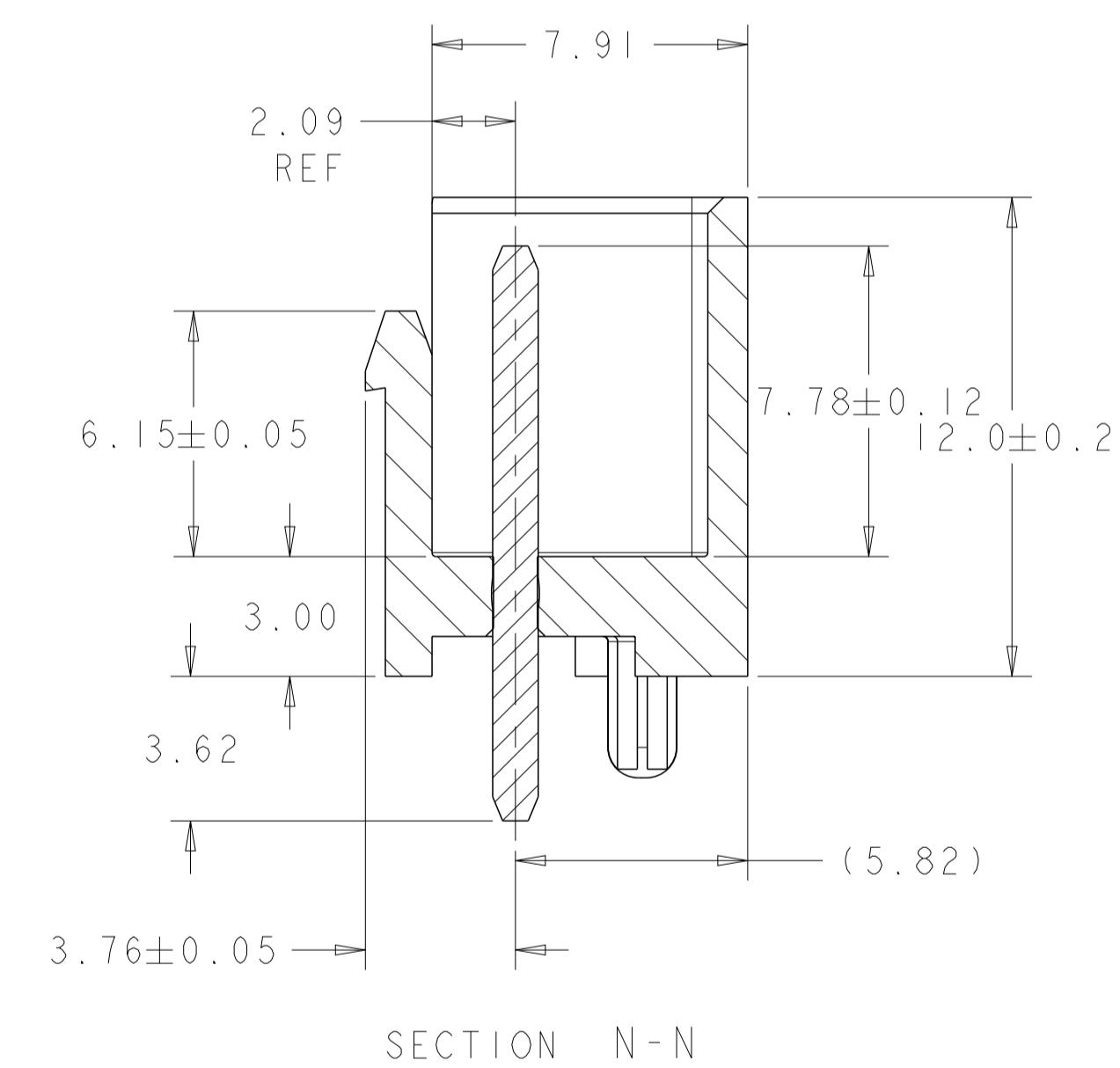
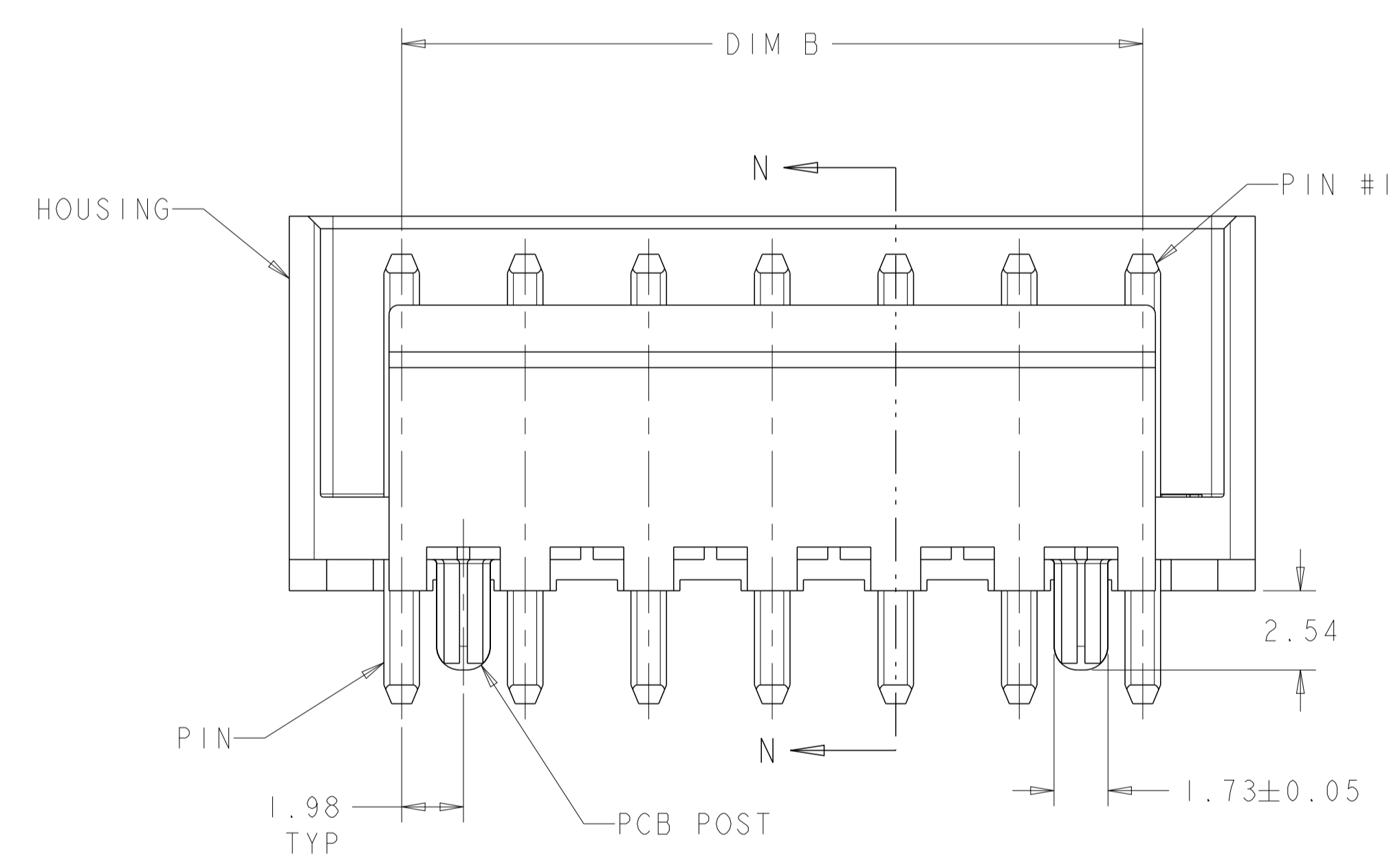
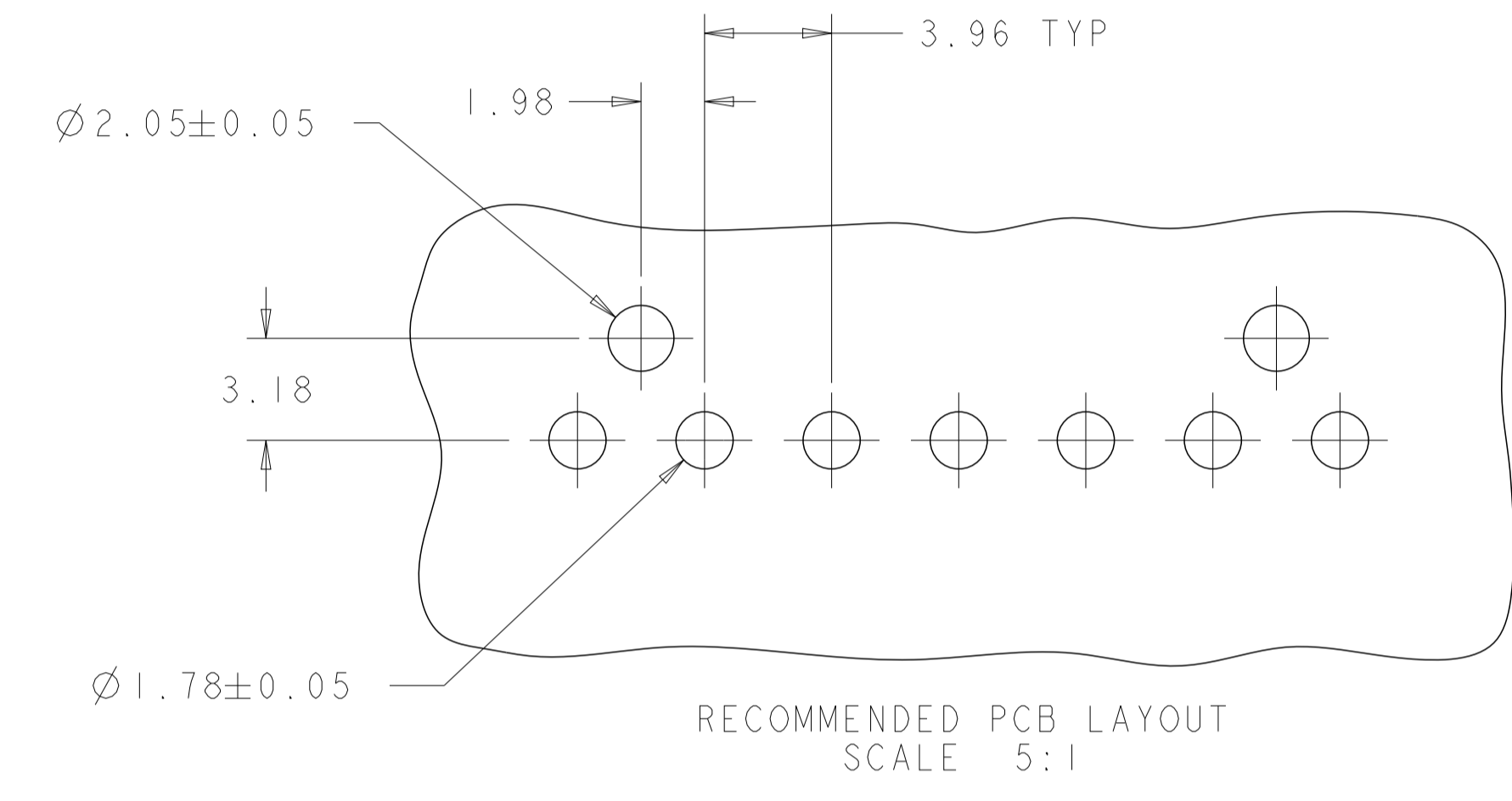
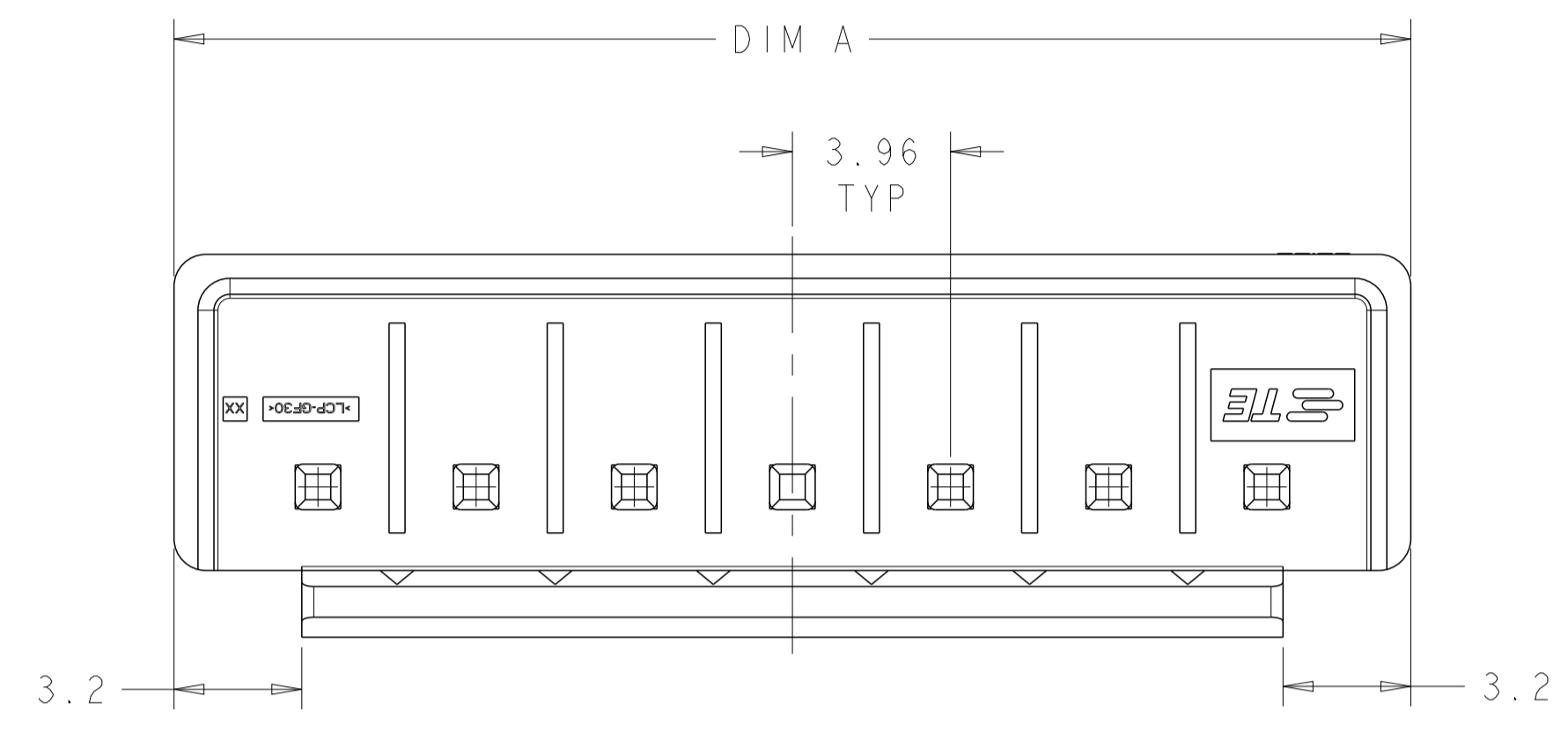


LOC		DIST		REVISIONS			
P	LTN	DESCRIPTION	DATE	DWN	APVD		
A		REVISED PER ECR-17-010746	02AUG2017	RS	JL		

NOTES:

- 1 MATERIAL:
HOUSING: HIGH TEMP THERMOPLASTIC
PIN: COPPER ALLOY
- 2 FINISH: PIN, 1.0µ MIN TIN OVER 0.8 MIN NICKEL.
- 3. NOTE DELETED.



DIM B	DIM A	POS	ASSEMBLY PART NUMBERS
27.72	34.93	8	2213738-8
23.76	30.97	7	2213738-7
19.80	27.01	6	2213738-6
15.84	23.05	5	2213738-5
11.88	19.09	4	2213738-4
7.92	15.13	3	2213738-3
3.96	11.17	2	2213738-2

THIS DRAWING IS A CONTROLLED DOCUMENT.

DIMENSIONS: mm

TOLERANCES UNLESS OTHERWISE SPECIFIED:

0 PLC	±
1 PLC	±0.2
2 PLC	±0.15
3 PLC	±
4 PLC	±
ANGLES	±
FINISH	±

MATERIAL:

FINISH:

THIS DRAWING IS A CONTROLLED DOCUMENT. DWN: J. SHAFFER 01OCT2015
 CHK: M. MOSTOLLER 01OCT2015
 APVD: M. MOSTOLLER 01OCT2015
 NAME: SHROUDED HEADER ASSEMBLY, SINGLE LATCH, HIGH TEMP, 3.96mm PITCH, ECONOMY POWER (EP)
 SIZE: A1 00779 C=2213738
 WEIGHT: -
 CUSTOMER DRAWING

TE Connectivity

SCALE 4:1 SHEET 1 OF 1 REV A

X-ON Electronics

Largest Supplier of Electrical and Electronic Components

Click to view similar products for [Headers & Wire Housings](#) category:

Click to view products by [TE Connectivity](#) manufacturer:

Other Similar products are found below :

[892-18-020-10-001101](#) [58102-G61-06LF](#) [582553-1](#) [0009485154](#) [009176003701906](#) [0050291907](#) [LY20-4P-DT1-P1E-BR](#) [02.125.8002.8](#)
[609-3404](#) [61062-3](#) [61082-181009](#) [622-3653LF](#) [63453-116](#) [636-1030](#) [636-1427](#) [636-3427](#) [636-4007](#) [641938-9](#) [641991-4](#) [644827-2](#) [65817-010LF](#) [65817-015LF](#) [65863-015LF](#) [66207-023LF](#) [67095-007LF](#) [67601157](#) [68645-018](#) [68648-049](#) [70.362.1628.0](#) [70-4210](#) [70-4226B](#) [70-4853B](#) [707-5020](#) [707-5028](#) [71.350.2428.0](#) [71918-208LF](#) [71961-016LF](#) [733-134](#) [733-162](#) [754199-000](#) [760-3052](#) [787-8014-00](#) [79531-3000](#)
[FCN-360C032-B](#) [FCN-367T-T012/H](#) [FCN-723D010/2](#) [80.063.4001.1](#) [800-90-001-10-001000](#) [800-90-010-10-002000](#) [801-43-002-10-013000](#)