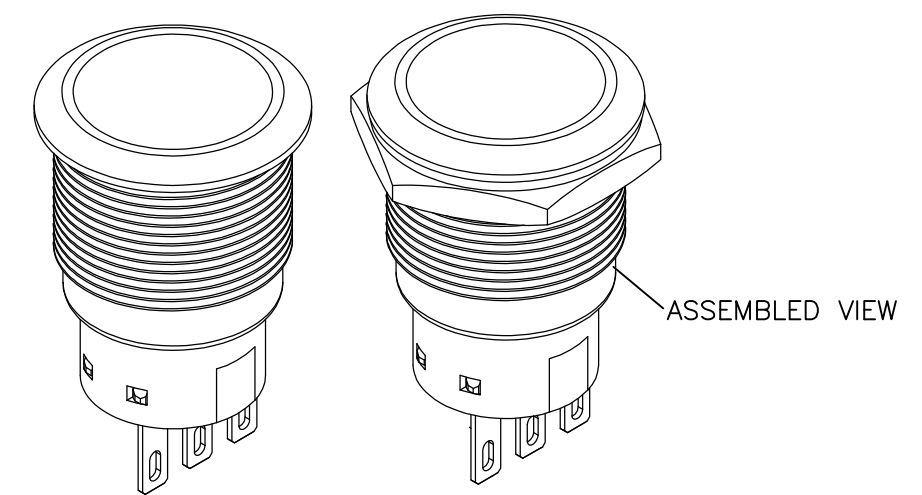
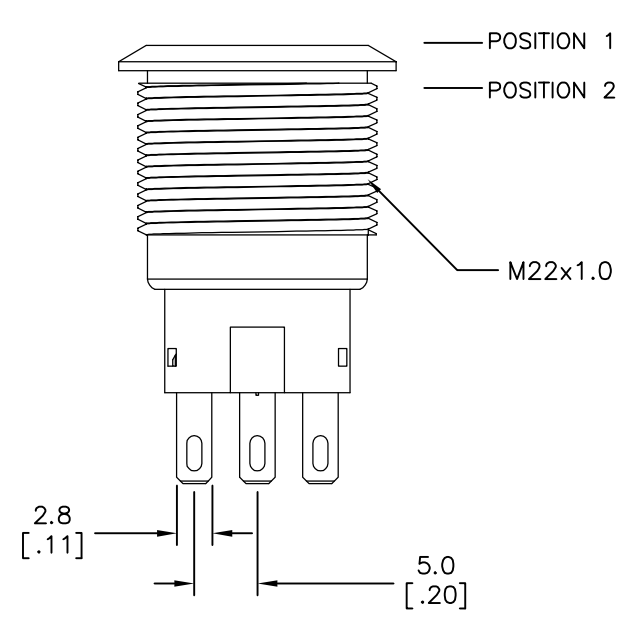
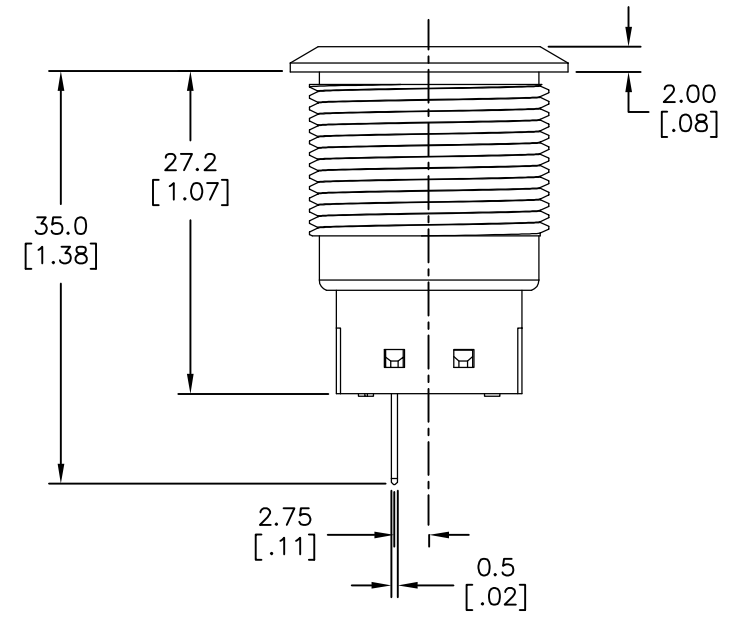


REVISIONS					
P	LTR	DESCRIPTION	DATE	DWN	APVD
B1		REVISED PER ECR-16-009232	29JUN2016	RS	SS

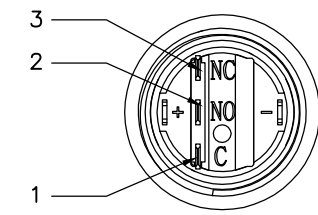
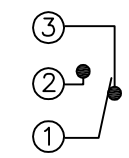


SPECIFICATIONS

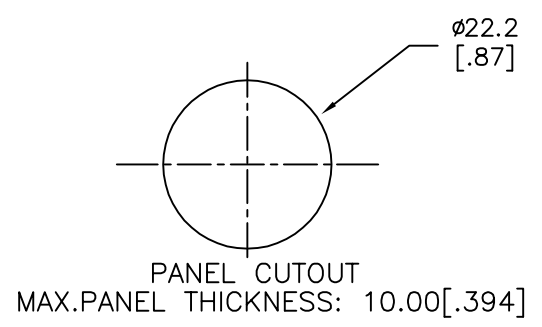
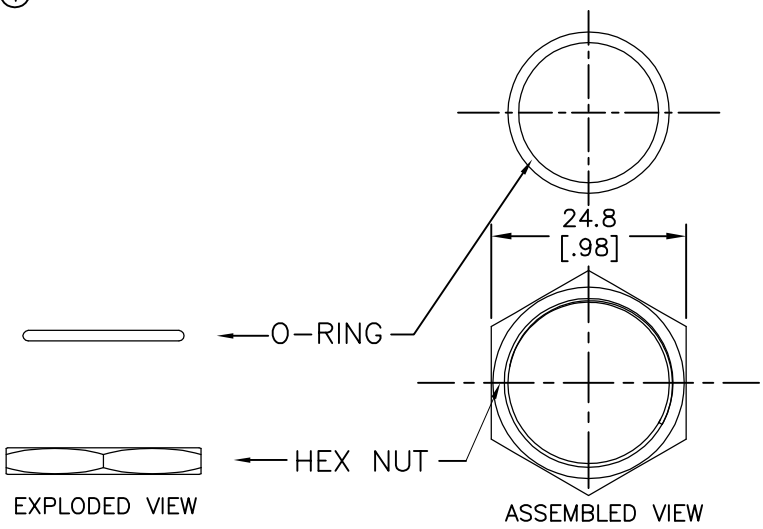
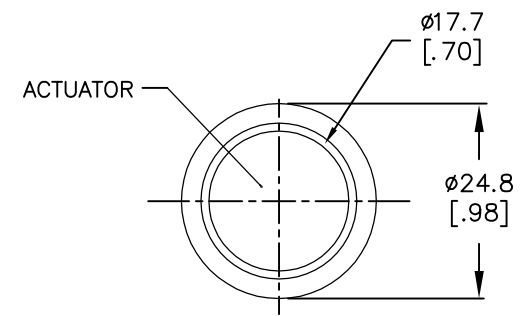
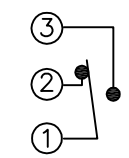
CONTACT RATING: SILVER: 3A @ 250 VAC RESISTIVE  
 GOLD: 0.4VA @ 20VDC OR PEAK AC  
 INSULATION RESISTANCE: 1,000MΩ MIN AT 500VDC  
 DIELECTRIC STRENGTH: 2,000V RMS @ SEA LEVEL  
 CONTACT RESISTANCE: 50 mΩ MAX @ 1A 12VDC (INITIAL VALUE)  
 ELECTRICAL LIFECYCLES: 50,000 MAKE AND BREAK CYCLES AT FULL LOAD

ACTUATION FORCE: SP: 2.5±1 NEWTON, DP: 3.5±1 NEWTON  
 ACTUATION TRAVEL: 3.2mm  
 SEALED PER IP67, IK10 (STAINLESS)  
 OPERATING TEMPERATURE: -20°C TO +55°C  
 MECHANICAL LIFECYCLES: MOMENTARY: 1,000,000 CYCLES  
 LOCKING: 500,000 CYCLES  
 HARDWARE TORQUE: 5-14 N·m

POSITION 1



POSITION 2



MATERIALS

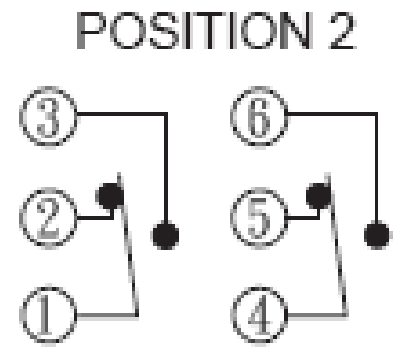
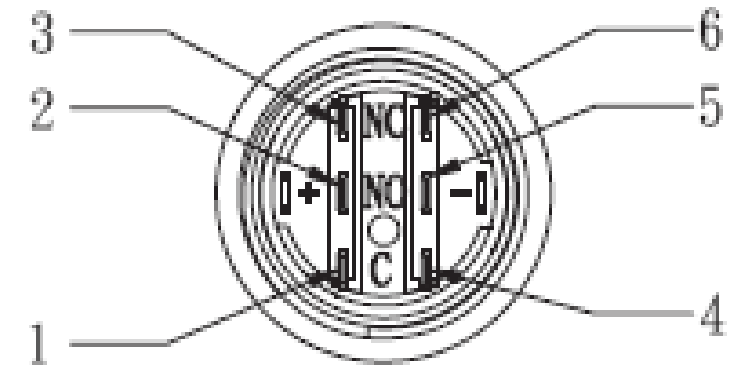
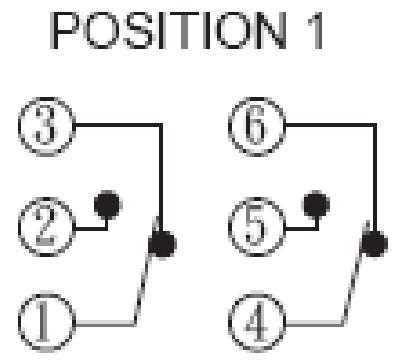
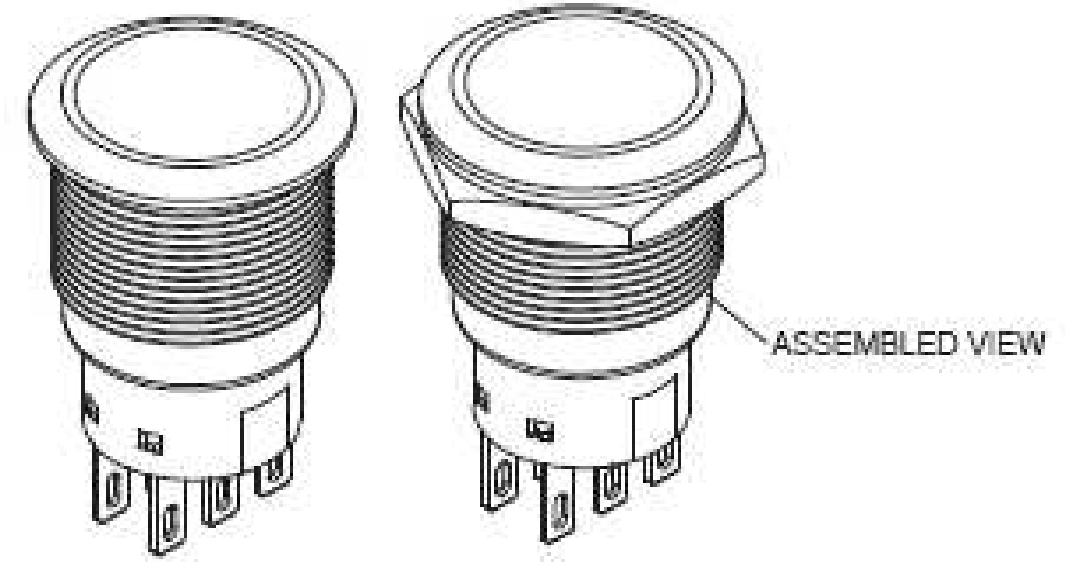
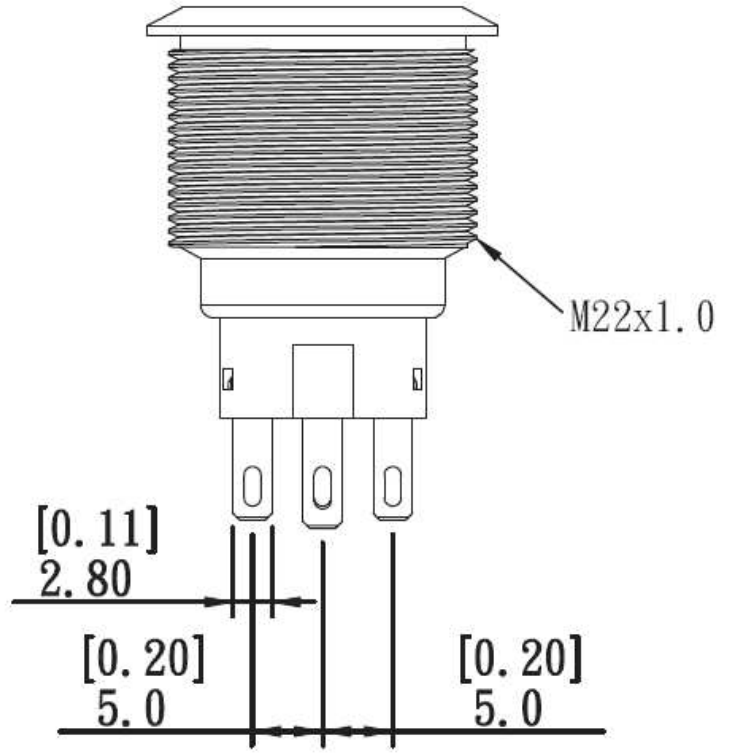
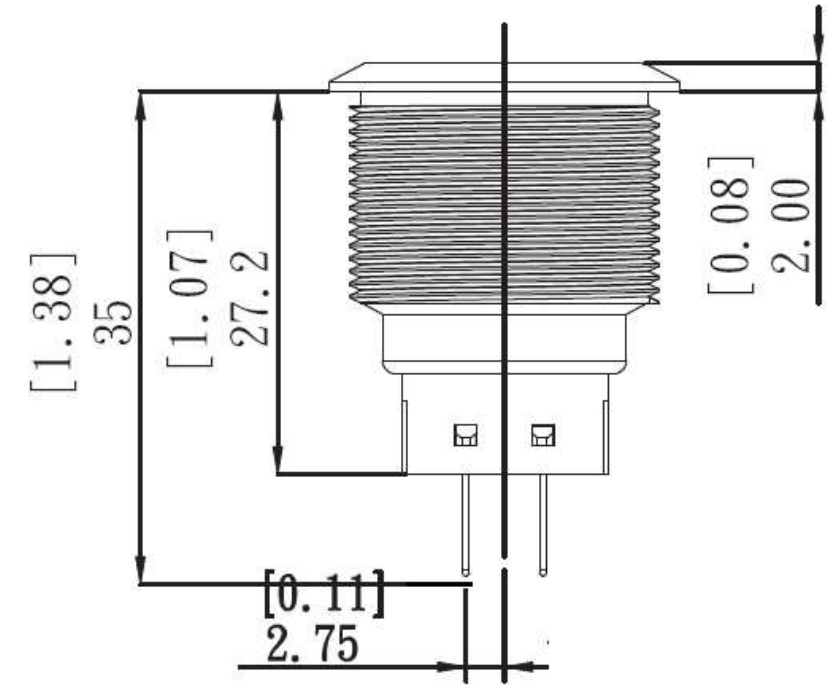
BUSHING: STAINLESS STEEL  
 BASE: PBT (UL 94-V0), PC (UL 94-V2)  
 ACTUATOR: STAINLESS STEEL, PC  
 SEALING: O-RING (SILICONE)  
 TERMINAL/CONTACT: COPPER BASE, SILVER/GOLD PLATED  
 HEX NUT: BRASS BASE, NICKEL PLATED

1 ALL MATERIAL AND FINISHES SHALL COMPLY WITH EU DIRECTIVE 2002/95/EC OF 27JAN2003 (ROHS)

THIS DRAWING IS A CONTROLLED DOCUMENT.		DWN NAGALAKSHMI K	09FEB2016	<b>STE</b> TE Connectivity	
DIMENSIONS: mm [INCHES]		CHK HILL RYAN	09FEB2016		
TOLERANCES UNLESS OTHERWISE SPECIFIED:		APVD HILL RYAN	09FEB2016	NAME	
0 PLC ± -		PRODUCT SPEC		-	
1 PLC ± -		APPLICATION SPEC		ANTI-VANDAL SWITCH 22mm	
2 PLC ± -		WEIGHT		NO LED	
3 PLC ± -		A2 00779		C-2213771	
4 PLC ± -		CUSTOMER DRAWING		SCALE 8:1 SHEET 1 of 3 REV B1	
ANGLES ± -		FINISH			

THIS DRAWING IS UNPUBLISHED. RELEASED FOR PUBLICATION  
 © COPYRIGHT - By - ALL RIGHTS RESERVED.

REVISIONS				
P	LTR	DESCRIPTION	DATE	APVD
-	-	SEE SHEET 1	-	-



THIS DRAWING IS A CONTROLLED DOCUMENT.		DWN NAGALAKSHMI K 09FEB2016	<b>STE</b> TE Connectivity	
DIMENSIONS: mm [INCHES]		CHK HILL RYAN 09FEB2016		
TOLERANCES UNLESS OTHERWISE SPECIFIED:		APVD HILL RYAN 09FEB2016	NAME	
0 PLC ± -		PRODUCT SPEC	ANTI-VANDAL SWITCH 22mm NO LED	
1 PLC ± -		APPLICATION SPEC	SIZE	CAGE CODE
2 PLC ± -		WEIGHT	A2	00779
3 PLC ± -		CUSTOMER DRAWING	DRAWING NO C-2213771	
4 PLC ± -		SCALE	NTS	SHEET
ANGLES ± -		RESTRICTED TO	2 of 3	
FINISH		REV	B1	

4

3

2

1

THIS DRAWING IS UNPUBLISHED. RELEASED FOR PUBLICATION  
 © COPYRIGHT - SEE SHEET 1 ALL RIGHTS RESERVED.

REVISIONS					
P	LTR	DESCRIPTION	DATE	DWN	APVD
-	-	SEE SHEET 1	-	-	-

D

D

C

C

B

B

A

A

2213771

DOUBLE POLE -LOCKING	GOLD	-	-	AV2221000R04	2213771-8
	SILVER	-	-	AV2221000Q04	2213771-7
DOUBLE POLE- MOMENTARY	GOLD	-	-	AV2220000R04	2213771-6
	SILVER	-	-	AV2220000Q04	2213771-5
SINGLE POLE- LOCKING	GOLD	-	-	AV2211000R04	2213771-4
	SILVER	-	-	AV2211000Q04	2213771-3
SINGLE POLE- MOMENTARY	GOLD	-	-	AV2210000R04	2213771-2
	SILVER	-	-	AV2210000Q04	2213771-1
POLE/THROW	CONTACT	LED COLOUR	LED VOLTAGE	TE DESCRIPTIVE PN	TE PART NUMBER

THIS DRAWING IS A CONTROLLED DOCUMENT.		DWN NAGALAKSHMI K 09FEB2016	<b>STE</b> TE Connectivity		
DIMENSIONS: mm [INCHES]		CHK HILL RYAN 09FEB2016			
TOLERANCES UNLESS OTHERWISE SPECIFIED:		APVD HILL RYAN 09FEB2016	NAME		
0 PLC ± -		PRODUCT SPEC			
1 PLC ± -		APPLICATION SPEC			
2 PLC ± -		SIZE CAGE CODE DRAWING NO RESTRICTED TO			
3 PLC ± -		A2 00779 C-2213771			
4 PLC ± -		CUSTOMER DRAWING SCALE NTS SHEET 3 of 3 REV B1			
ANGLES ± -					
FINISH					

## X-ON Electronics

Largest Supplier of Electrical and Electronic Components

*Click to view similar products for [Pushbutton Switches](#) category:*

*Click to view products by [TE Connectivity](#) manufacturer:*

Other Similar products are found below :

[LW1L-M1C10V-A](#) [LW2L-A1C20M-GD](#) [LW2L-M1C20M-A](#) [60324L](#) [M7E-HRN2](#) [67021K512](#) [67081K512X](#) [701PB580](#) [719-5504-000](#)  
[MDPSSGLFS](#) [810KSV30B](#) [FLT 2U EE 01A](#) [MML21KA3ABK](#) [MML23KA3AC05K-001](#) [MML23KW3AA01W](#) [8418K2](#) [8646AB6X718UL](#)  
[8646ABUL](#) [FSDWH](#) [9001KXRK](#) [9001T8BK](#) [9533CD4+U574+U4922](#) [1203MRA](#) [A22EM01S](#) [A595](#) [12037A2ULCSA](#) [1203A2UL](#)  
[ABD122N-B](#) [1211390004](#) [ABN111-Y](#) [ABN400-R](#) [1211500044](#) [1211580012](#) [1212MRA](#) [1232A6NF](#) [1241.1183.7047](#) [1241.2511](#) [1241.3428](#)  
[1223A2ULCSA](#) [1223MRA](#) [1232AX2119](#) [1241.1183.8000](#) [1241.1183.8029](#) [1241.2506](#) [1241.2606](#) [12MA6](#) [1301940184](#)  
[RELBARF6X10\(PLASTIC\)](#) [13435AG](#) [13440AD2G25X822+U4546](#)