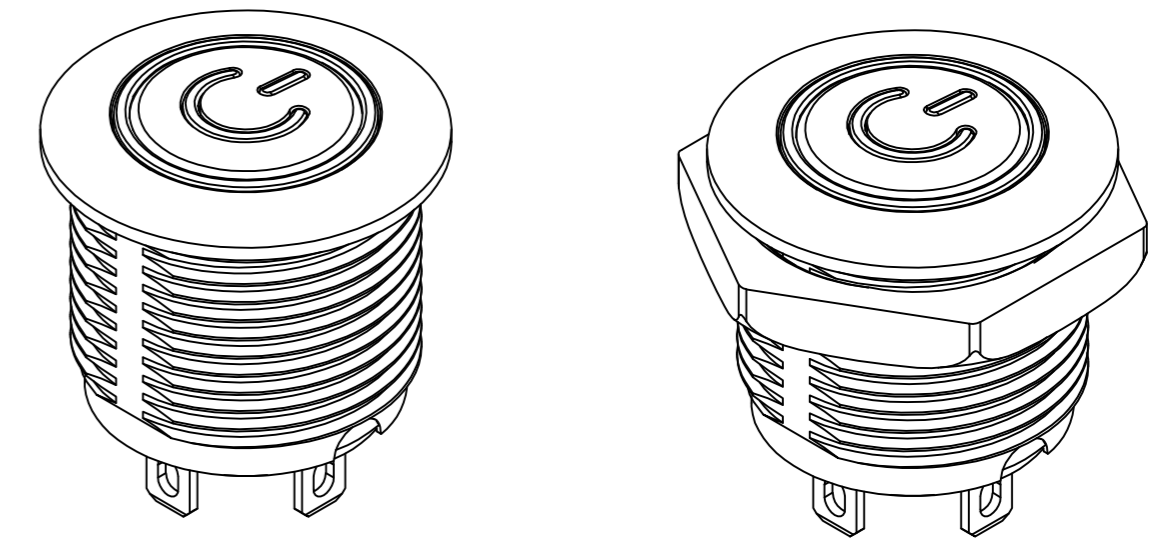
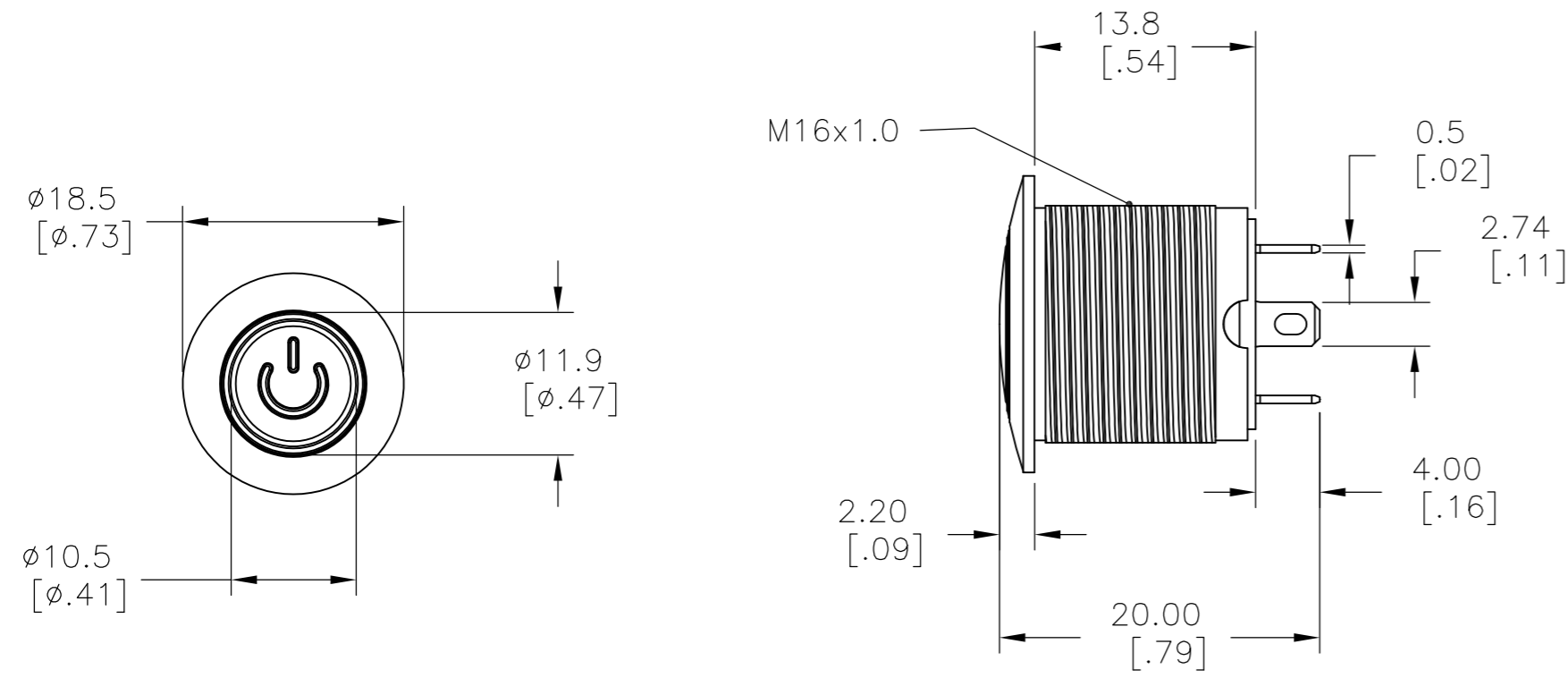


THIS DRAWING IS UNPUBLISHED. RELEASED FOR PUBLICATION
 © COPYRIGHT - By - ALL RIGHTS RESERVED.

REVISIONS					
P	LTR	DESCRIPTION	DATE	DWN	APVD
A1		REVISED PER ECR-16-010858	09AUG2016	RS	PO



ASSEMBLED VIEW

SPECIFICATIONS

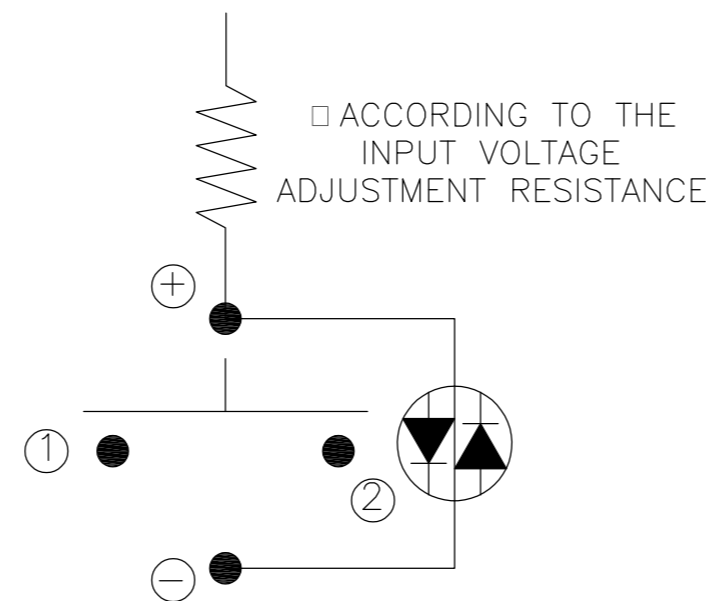
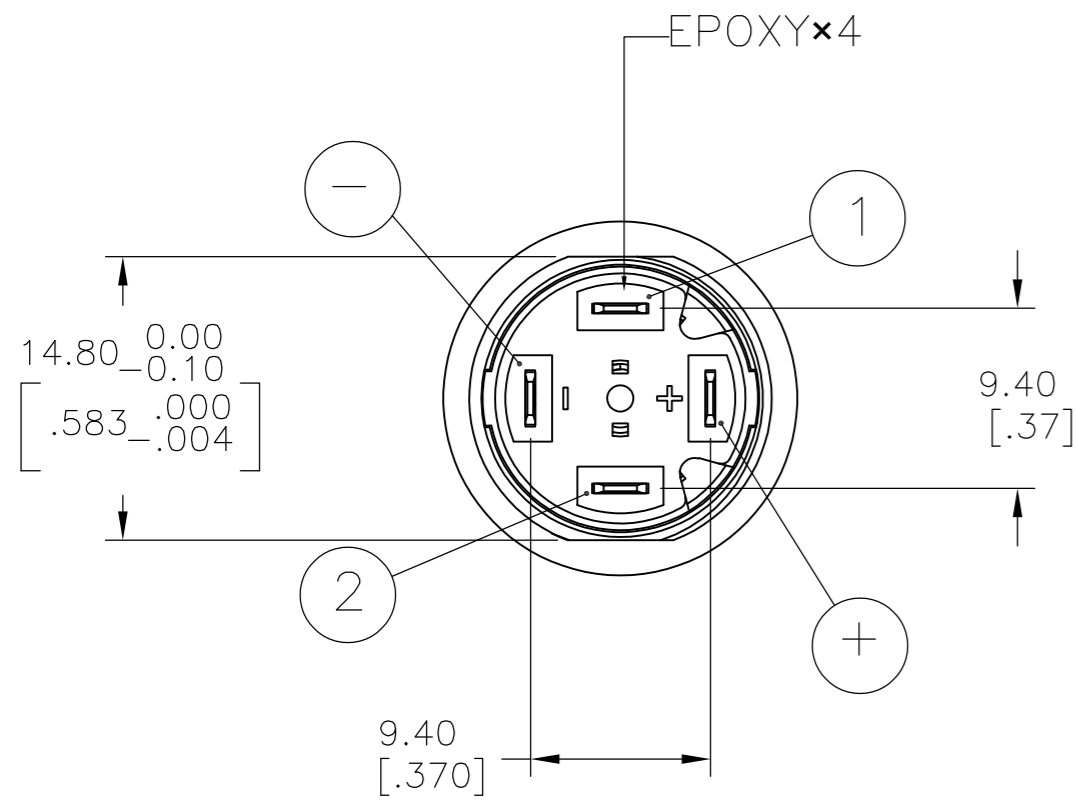
CONTACT RATING: 2A @ 36 VDC RESISTIVE
 INSULATION RESISTANCE: 1,000M Ω MIN AT 500VDC
 DIELECTRIC STRENGTH: 2,000V RMS @ SEA LEVEL
 CONTACT RESISTANCE: 50 m Ω MAX
 ELECTRICAL LIFECYCLES: 200,000 MAKE AND BREAK CYCLES AT FULL LOAD

ACTUATION FORCE: 4.5 \pm 1.5 NEWTONS
 ACTUATION TRAVEL: 2.0MM \pm 0.20MM
 OPERATING TEMPERATURE: -20°C TO +70°C
 MECHANICAL LIFECYCLES: 1,000,000 CYCLES
 HARDWARE TORQUE: 1.15 N-m MAX
 SEALED PER IP67

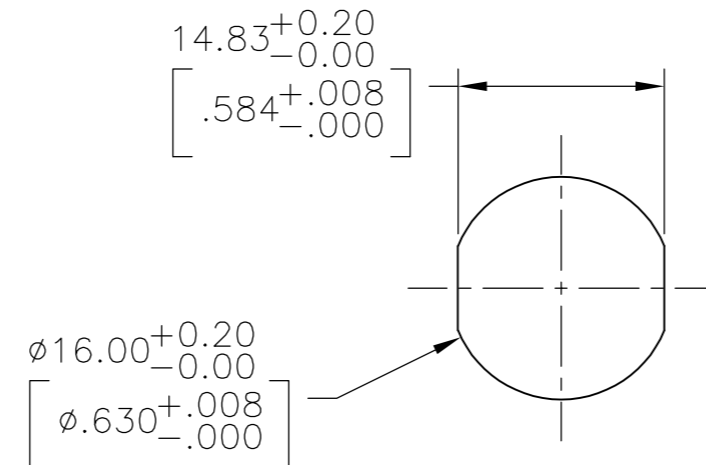
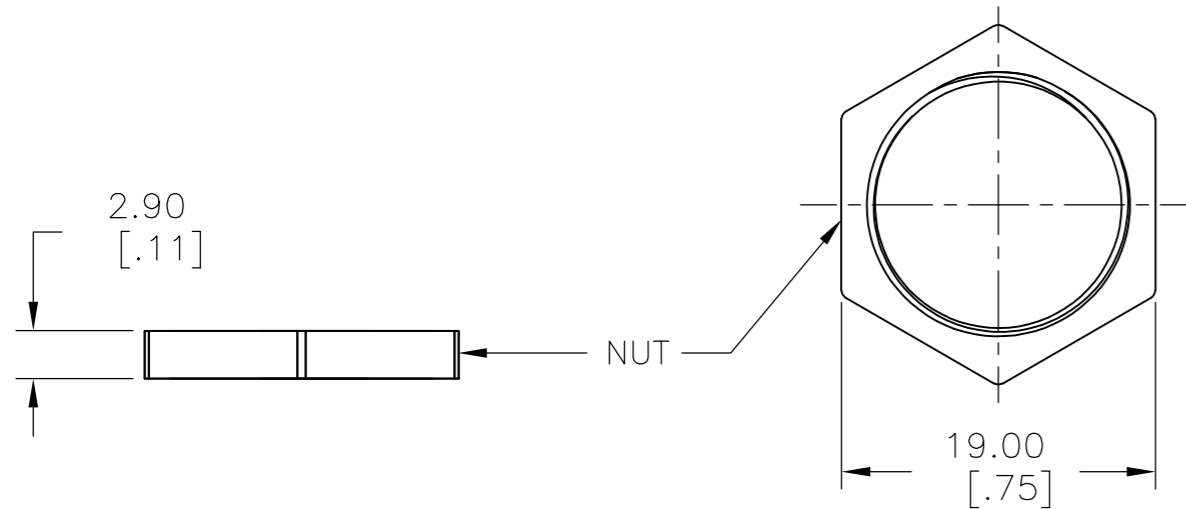
MATERIALS

BUSHING: ALUMINUM ALLOY
 BASE: PBT (BLUE UL 94-V0)
 ACTUATOR: PC (TRANSLUCENT UL 94-V2)
 SEALING: O-RING (SILICONE)
 TERMINAL: BRASS, GOLD FLASH PLATED
 CONTACT: COPPER BASE, SILVER PLATED
 HEX NUT: BRASS BASE, NICKEL PLATED

1 ALL MATERIAL AND FINISHES SHALL COMPLY WITH EU DIRECTIVE 2002/95/EC OF 27JAN2003 (ROHS)



SCHEMATIC



PANEL CUTOUT THICKNESS: 8.0 [0.315] MAX.

THIS DRAWING IS A CONTROLLED DOCUMENT.		DWN NAGALAKSHMI K 08FEB2016		
DIMENSIONS: mm [INCHES]		CHK HILL RYAN 08FEB2016		
TOLERANCES UNLESS OTHERWISE SPECIFIED:		APVD HILL RYAN 08FEB2016	NAME ANTI-VANDAL SWITCH 16mm POWER LOGO LED	
0 PLC \pm -		PRODUCT SPEC	SIZE	
1 PLC \pm -		APPLICATION SPEC	CAGE CODE	
2 PLC \pm -			DRAWING NO	
3 PLC \pm -			RESTRICTED TO	
4 PLC \pm -			SCALE	
ANGLES \pm -			SHEET	
FINISH		WEIGHT	REV	
-		0	A1	
		CUSTOMER DRAWING		

THIS DRAWING IS UNPUBLISHED. RELEASED FOR PUBLICATION
 © COPYRIGHT - By - ALL RIGHTS RESERVED.

REVISIONS				
P	LTR	DESCRIPTION	DATE	APVD
-	-	SEE SHEET 1	-	-

SINGLE POLE-MOMENTARY	BLUE	24V	AV1610P724R04	1-2213775-0
	BLUE	12V	AV1610P712R04	2213775-9
	GREEN	24V	AV1610P624R04	2213775-8
	GREEN	12V	AV1610P612R04	2213775-7
	YELLOW	24V	AV1610P524R04	2213775-6
	YELLOW	12V	AV1610P512R04	2213775-5
	RED	24V	AV1610P324R04	2213775-4
	RED	12V	AV1610P312R04	2213775-3
	WHITE	24V	AV1610P124R04	2213775-2
	WHITE	12V	AV1610P112R04	2213775-1
POLE/THROW	LED COLOR	LED VOLTAGE	TE DESCRIPTIVE PN	TE PART NUMBER

THIS DRAWING IS A CONTROLLED DOCUMENT.		DWN 08FEB2016 NAGALAKSHMI K	STE TE Connectivity	
DIMENSIONS: mm [INCHES]		CHK 08FEB2016 HILL RYAN		
TOLERANCES UNLESS OTHERWISE SPECIFIED:		APVD 08FEB2016 HILL RYAN	NAME ANTI-VANDAL SWITCH 16mm POWER LOGO LED	
0 PLC ± - 1 PLC ± - 2 PLC ± - 3 PLC ± - 4 PLC ± - ANGLES ± -		PRODUCT SPEC -	SIZE CAGE CODE DRAWING NO RESTRICTED TO A2 00779 C=2213775 -	
MATERIAL -	FINISH -	WEIGHT -	SCALE 1:1 SHEET 2 OF 2 REV A1	
CUSTOMER DRAWING				

2213775

X-ON Electronics

Largest Supplier of Electrical and Electronic Components

Click to view similar products for [Pushbutton Switches](#) category:

Click to view products by [TE Connectivity](#) manufacturer:

Other Similar products are found below :

[LW1L-M1C10V-A](#) [LW2L-A1C20M-GD](#) [LW2L-M1C20M-A](#) [60324L](#) [M7E-HRN2](#) [67021K512](#) [67081K512X](#) [701PB580](#) [719-5504-000](#)
[MDPSSGLFS](#) [810KSV30B](#) [FLT 2U EE 01A](#) [MML21KA3ABK](#) [MML23KA3AC05K-001](#) [MML23KW3AA01W](#) [8418K2](#) [8646AB6X718UL](#)
[8646ABUL](#) [FSDWH](#) [9001KXRK](#) [9001T8BK](#) [9533CD4+U574+U4922](#) [1203MRA](#) [A22EM01S](#) [A595](#) [12037A2ULCSA](#) [1203A2UL](#)
[ABD122N-B](#) [1211390004](#) [ABN111-Y](#) [ABN400-R](#) [1211500044](#) [1211580012](#) [1212MRA](#) [1232A6NF](#) [1241.1183.7047](#) [1241.2511](#) [1241.3428](#)
[1223A2ULCSA](#) [1223MRA](#) [1232AX2119](#) [1241.1183.8000](#) [1241.1183.8029](#) [1241.2506](#) [1241.2606](#) [12MA6](#) [1301940184](#)
[RELBARF6X10\(PLASTIC\)](#) [13435AG](#) [13440AD2G25X822+U4546](#)