

THIS DRAWING IS UNPUBLISHED.

RELEASED FOR PUBLICATION

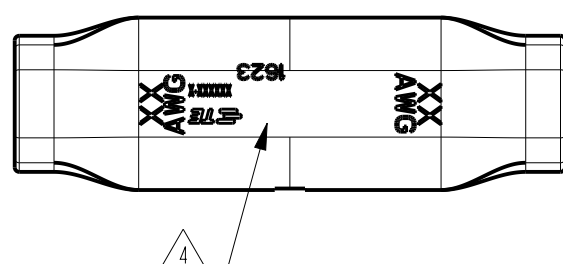
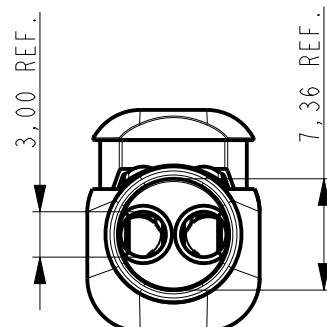
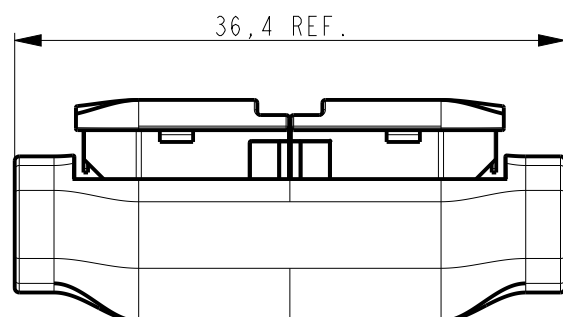
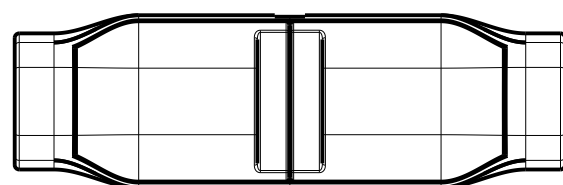
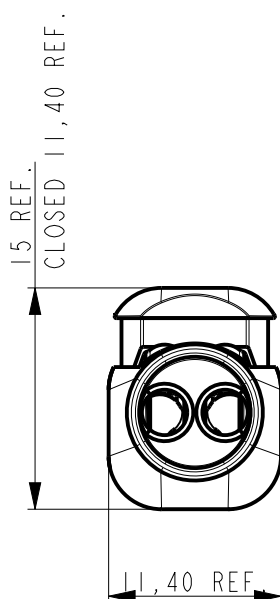
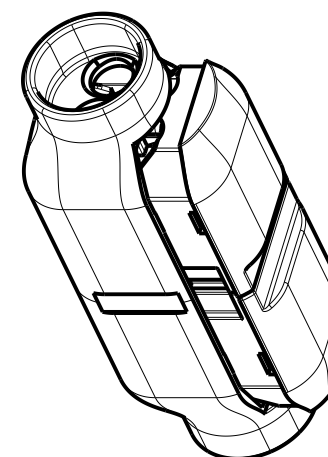
© COPYRIGHT - new logo 2011

ALL RIGHTS RESERVED.

LOC	DIST	REVISIONS					
H	-	P	LTR	DESCRIPTION	DATE	DWN	APVD
			A	ECR-16-015010	24OCT2016	KR	MvE
			B	ECR-17-008373	16OCT2017	RK	PO
			C	U/D Logo UL Listed to cURus	12NOV2020	VR	VY
			D	U/D IP marking	06JAN2021	VR	VY

NOTES:

- 1 CONNECTOR ACCEPTS MULTIPLE WIRES SIZES: SEE TABLE.
- 2 HOUSING AND BUTTON MATERIAL : POLYCARBONATE
- 3 IDC CONTACT MATERIAL: PhBR
- 4 PRINTING LOGO'S: cURus, KEMA, PARTNUMBER, TE, DATE CODE, WIRE SIZE, IP CLASS.
- 5 WIRE INSULATION DIAMETER RANGE IS FROM 1.75 TO 2.85 mm



BUTTON COLOR	HOUSING COLOR	PARTNUMBER	DESCRIPTION	CABLE SIZE
BLUE	CLEAR	2213800-4	SPLICING CONNECTOR SEALED	AWG 20 (0.52mm ²) / AWG 22 (0.33mm ²)
GREEN		2213800-3	SPLICING CONNECTOR UNSEALED	AWG 20 (0.52mm ²) / AWG 22 (0.33mm ²)
BLUE		2213800-2	SPLICING CONNECTOR SEALED	AWG 18 (0.82mm ²) TO 0.75mm ²
GREEN		2213800-1	SPLICING CONNECTOR UNSEALED	AWG 18 (0.82mm ²) TO 0.75mm ²

THIS DRAWING IS A CONTROLLED DOCUMENT.		DWN Villard, Romain	TE Connectivity	
DIMENSIONS: mm		CHK Villard, Romain		
TOLERANCES UNLESS OTHERWISE SPECIFIED:		APVD Villardier, Yannick	NAME N. S. COOLSPLICE	
0 PLC ±		PRODUCT SPEC 108-133061	-	
1 PLC ±0.2		APPLICATION SPEC 114-133061	-	
2 PLC ±0.15		WEIGHT -	SIZE A3	CAGE CODE 00779
3 PLC ±		MATERIAL SEE NOTES	DRAWING NO C-2213800	RESTRICTED TO -
4 PLC ±			SCALE 2:1	
ANGLES ±3°		FINISH SEE NOTES	SHEET 1	OF 1
CUSTOMER DRAWING		REV D2		

X-ON Electronics

Largest Supplier of Electrical and Electronic Components

Click to view similar products for [Terminals](#) category:

Click to view products by [TE Connectivity](#) manufacturer:

Other Similar products are found below :

[00-054007-01074-6](#) [00-054007-70206-1](#) [00-054007-70210-8](#) [00-054007-70217-7](#) [00-054007-70226-9](#) [00-054007-70228-3](#) [00-054007-70248-1](#) [00-054007-70256-6](#) [00-054007-70301-3](#) [00-054007-70316-7](#) [00-054007-49560-4](#) [00-054007-70209-2](#) [00-054007-70225-2](#) [00-054007-70227-6](#) [00-054007-70231-3](#) [00-054007-70241-2](#) [00-054007-70242-9](#) [00-054007-70244-3](#) [00-054007-70246-7](#) [00-054007-70263-4](#) [00-054007-70288-7](#) [00-054007-70290-0](#) [00-054007-70300-6](#) [00-054007-70304-4](#) [01-2065-1-0216](#) [01-2900-1-04412](#) [00581P0075](#) [600TS-10](#) [60205-1](#) [604200-1](#) [605601-1](#) [60598-1-CUT-TAPE](#) [61314-6-C](#) [61810-3](#) [61-S](#) [61-SN](#) [626-0194](#) [62-NBM-A](#) [62-SN](#) [62-SP](#) [63-S](#) [640179-1](#) [M55155/059I03](#) [M55155/079C01](#) [M55155/099H02](#) [M55155/109H01](#) [M55155/109H02](#) [M55155/12XH05](#) [M55155/16XH02](#) [M55155/29-5S](#)