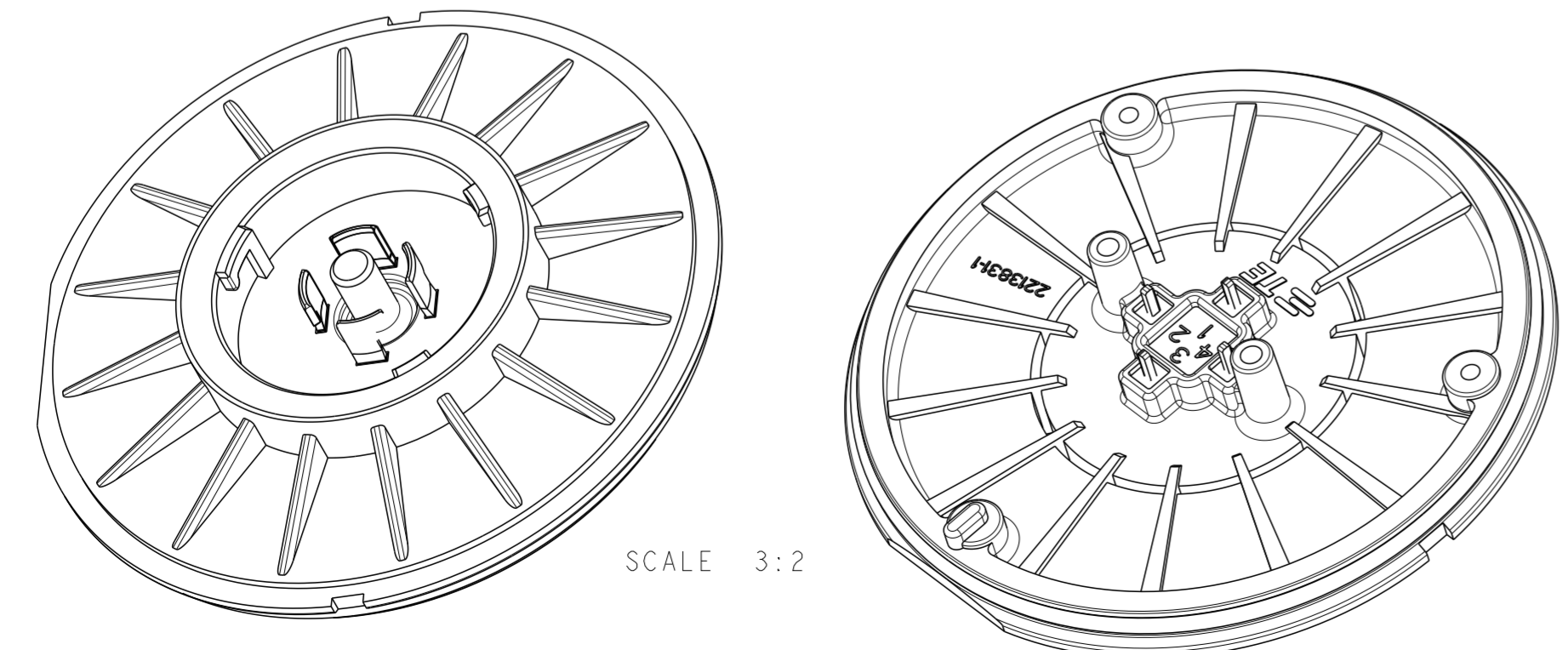
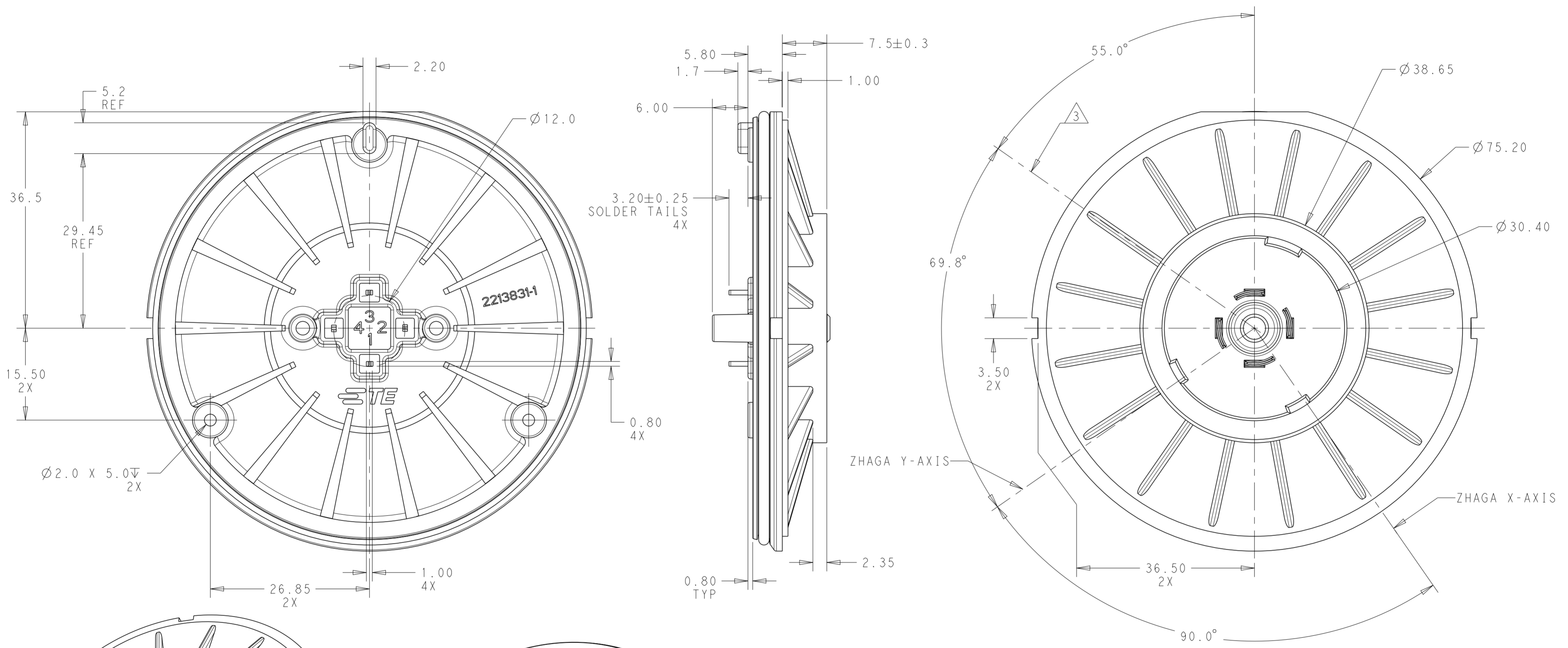


THIS DRAWING IS UNPUBLISHED. RELEASED FOR PUBLICATION 20
 © COPYRIGHT 20 BY - ALL RIGHTS RESERVED.

- NOTES:
- 1 MATERIALS AND FINISH:
 -MODULE HOUSING: PBT, COLOR: GREY
 -CONTACTS: BRASS, FINISH: Sn
 -O-RING: SILICON RUBBER
 2. MUST COMPLY WITH DIRECTIVE 2002/95/EC (ROHS)
 - 3 LOCATION OF FLAT ON RECEPTACLE (TE P/N 2213858-1)
 THREAD SECTION IN FULL MATED POSITION
 4. COMPATIBLE DOME IS 2328823-X.

REVISIONS				
P	LTR	DESCRIPTION	DATE	APVD
A		REVISED PER ECR-18-017023	05NOV2018	SR DD
A1		REVISED PER ECR-18-017999	22NOV2018	SR DD
A2		REVISED PER ECR-19-017457	12NOV2019	SB DD



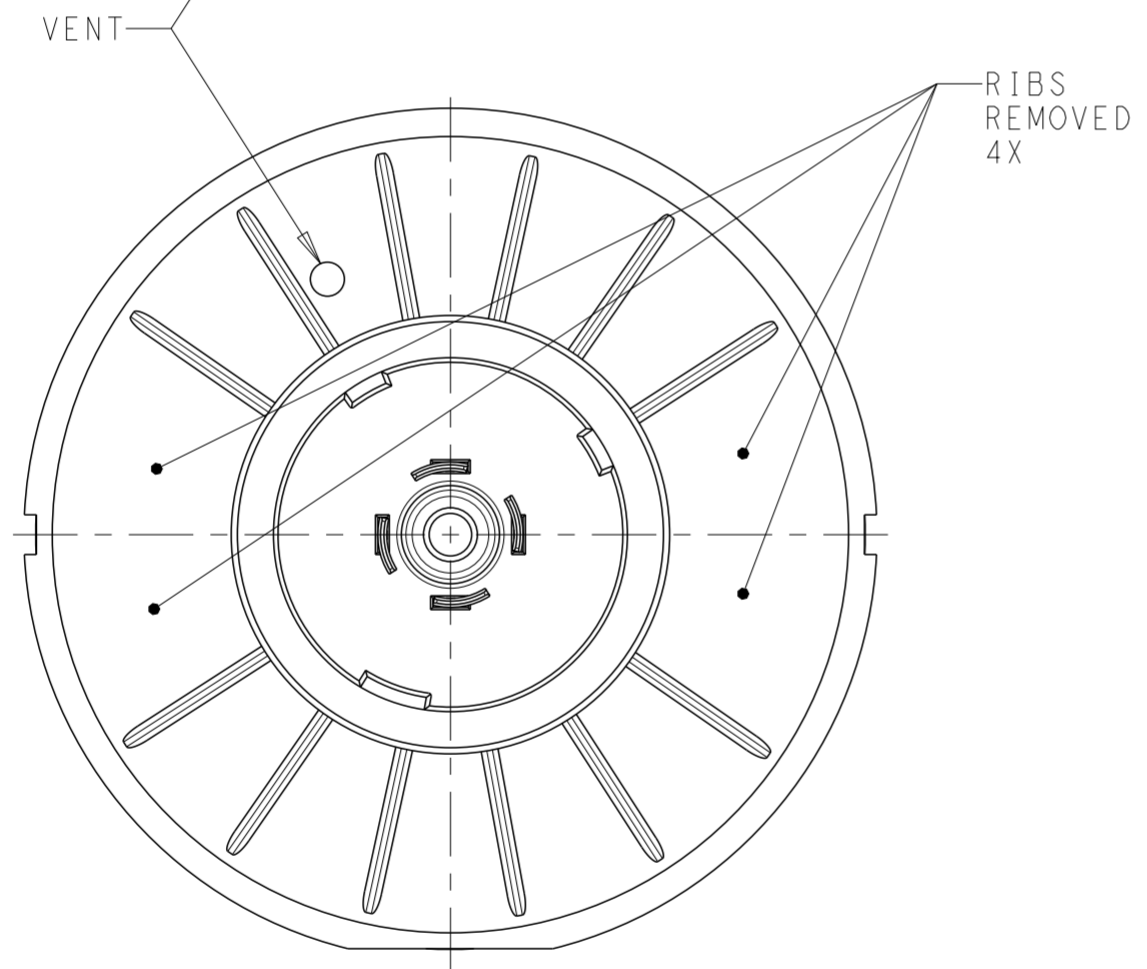
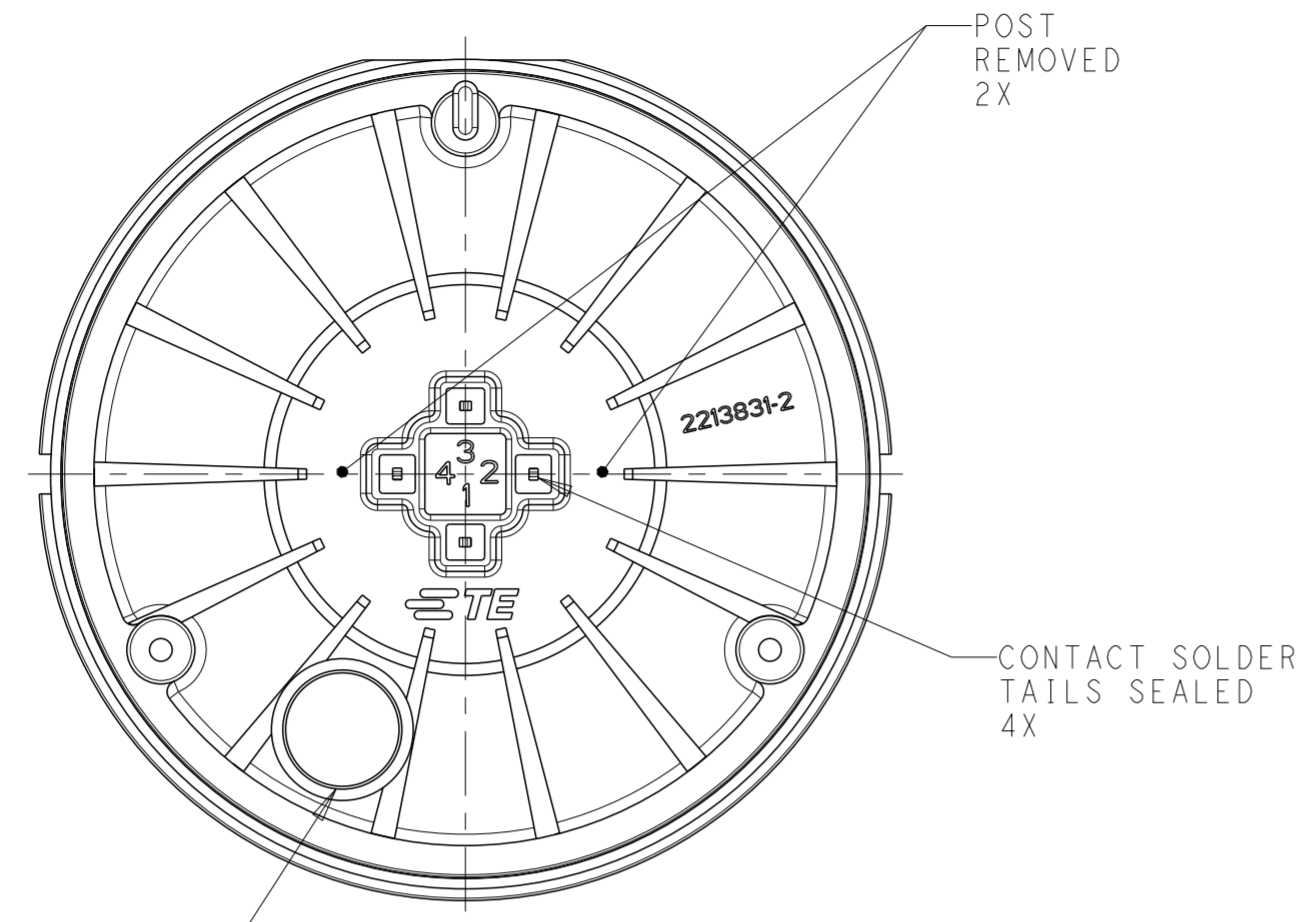
2213831-1 SHOWN

-	2213831-3
-	2213831-2
-	2213831-1
NOTES	PART NO.

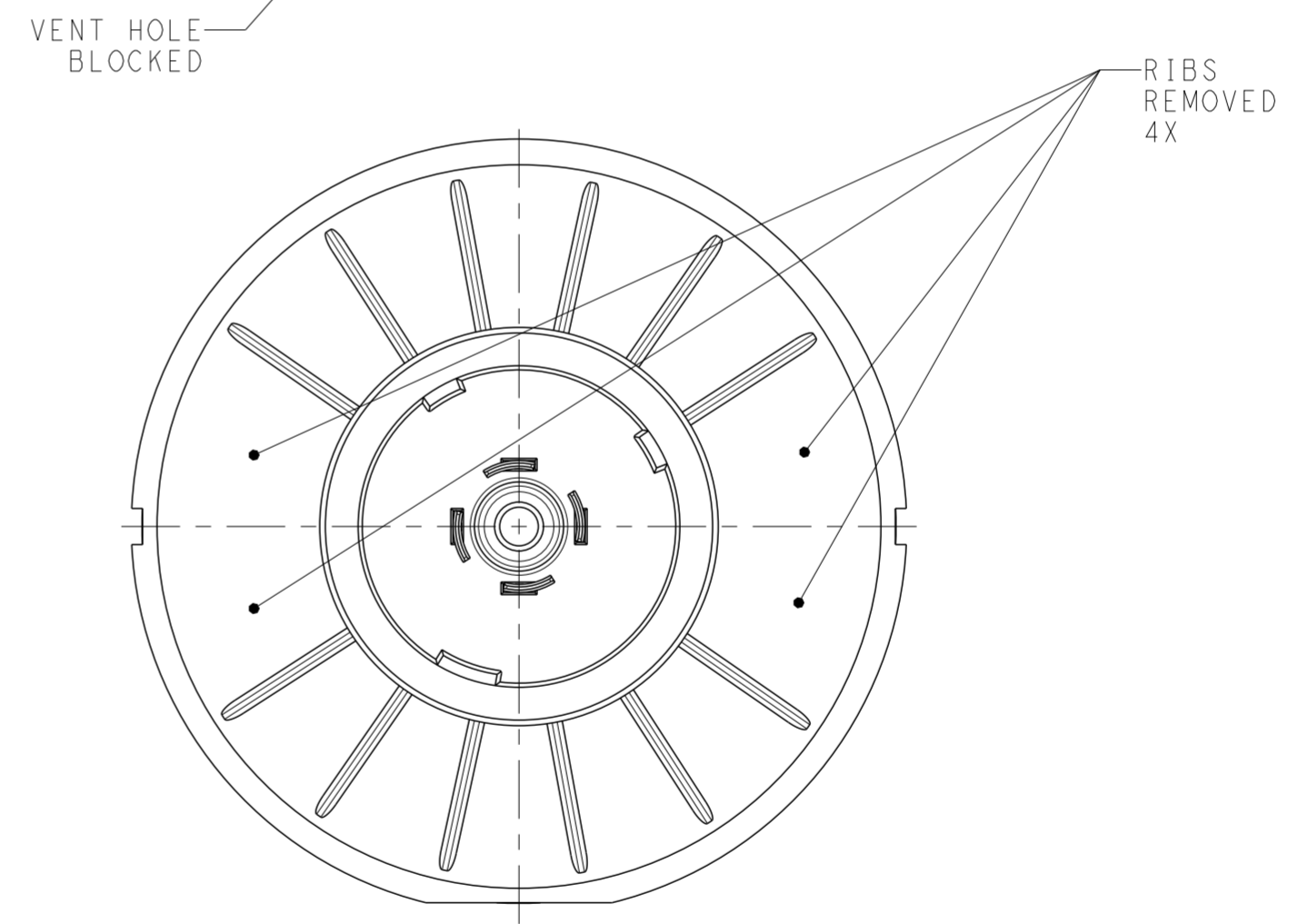
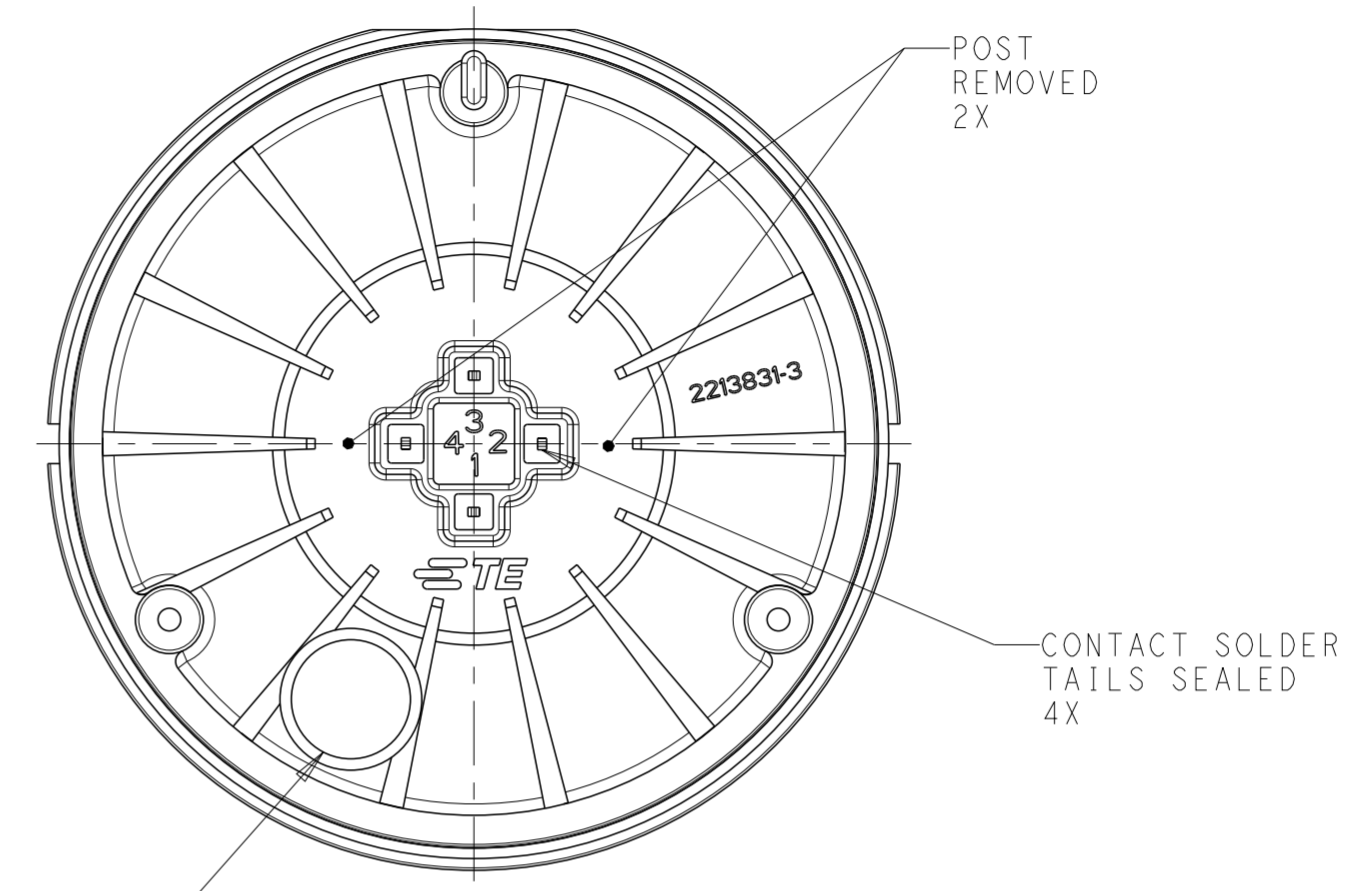
THIS DRAWING IS A CONTROLLED DOCUMENT.		DWN C. DAILY 05APR2016	TE Connectivity	
		CHK E. HOWARD 05APR2016		
DIMENSIONS:	TOLERANCES UNLESS OTHERWISE SPECIFIED:	APVD	NAME	
mm	0 PLC \pm	-	MODULE BASE ASSEMBLY, LUMAWISE ENDURANCE S 80mm DIAMETER	
	1 PLC ± 0.2	PRODUCT SPEC	SIZE	
	2 PLC ± 0.15	108-133073	CAGE CODE	
	3 PLC \pm	APPLICATION SPEC	DRAWING NO	
	4 PLC \pm	114-133074	RESTRICTED TO	
	ANGLES ± 1	WEIGHT	A2	
	FINISH	-	SCALE	
MATERIAL	-	CUSTOMER DRAWING	2:1	
SEE NOTES	-		SHEET 1 OF 3	
			REV A2	

THIS DRAWING IS UNPUBLISHED. RELEASED FOR PUBLICATION 20
 © COPYRIGHT 20 BY - ALL RIGHTS RESERVED.

REVISIONS				
P	LTR	DESCRIPTION	DATE	APVD
-		SEE SHEET 1	-	-



2213831-2 SHOWN
 SAME AS
 2213831-1 EXCEPT AS SHOWN

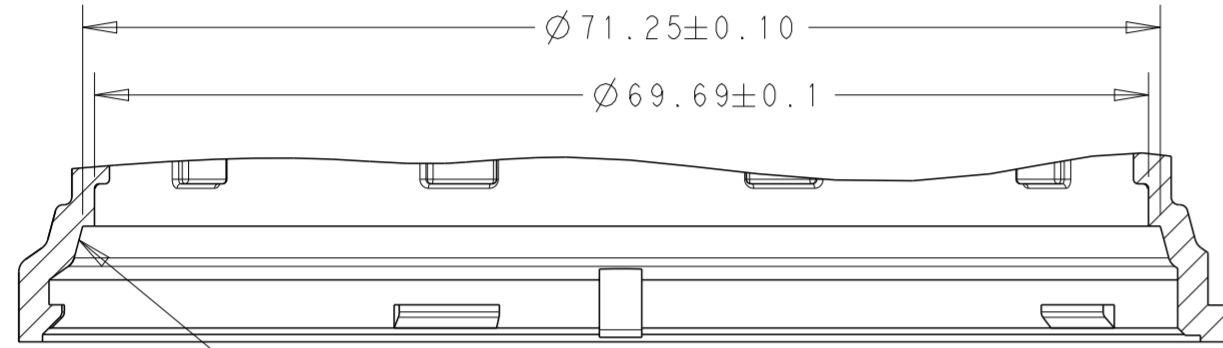
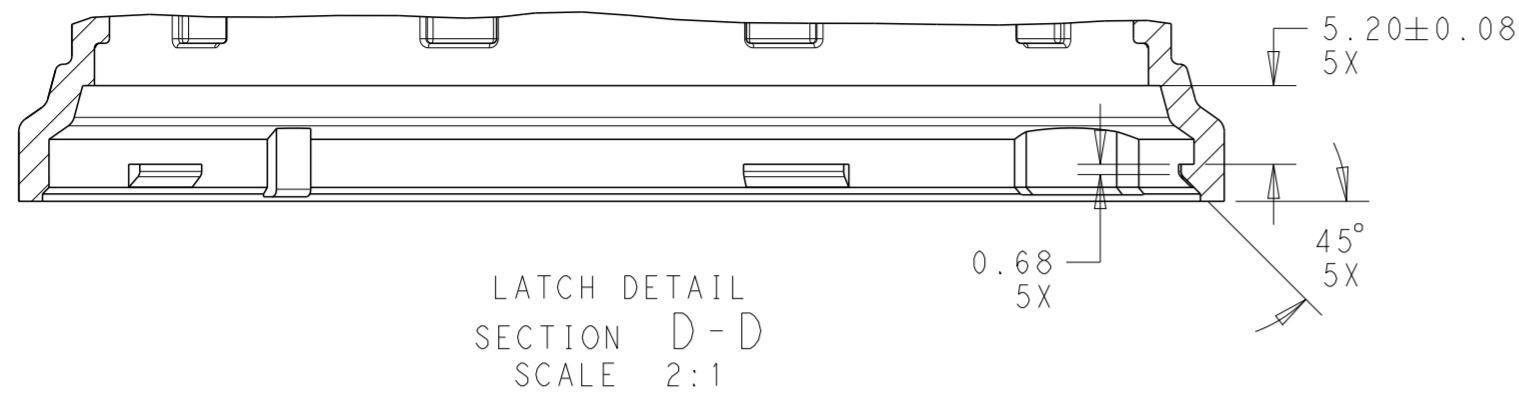


2213831-3 SHOWN
 SAME AS
 2213831-1 EXCEPT AS SHOWN

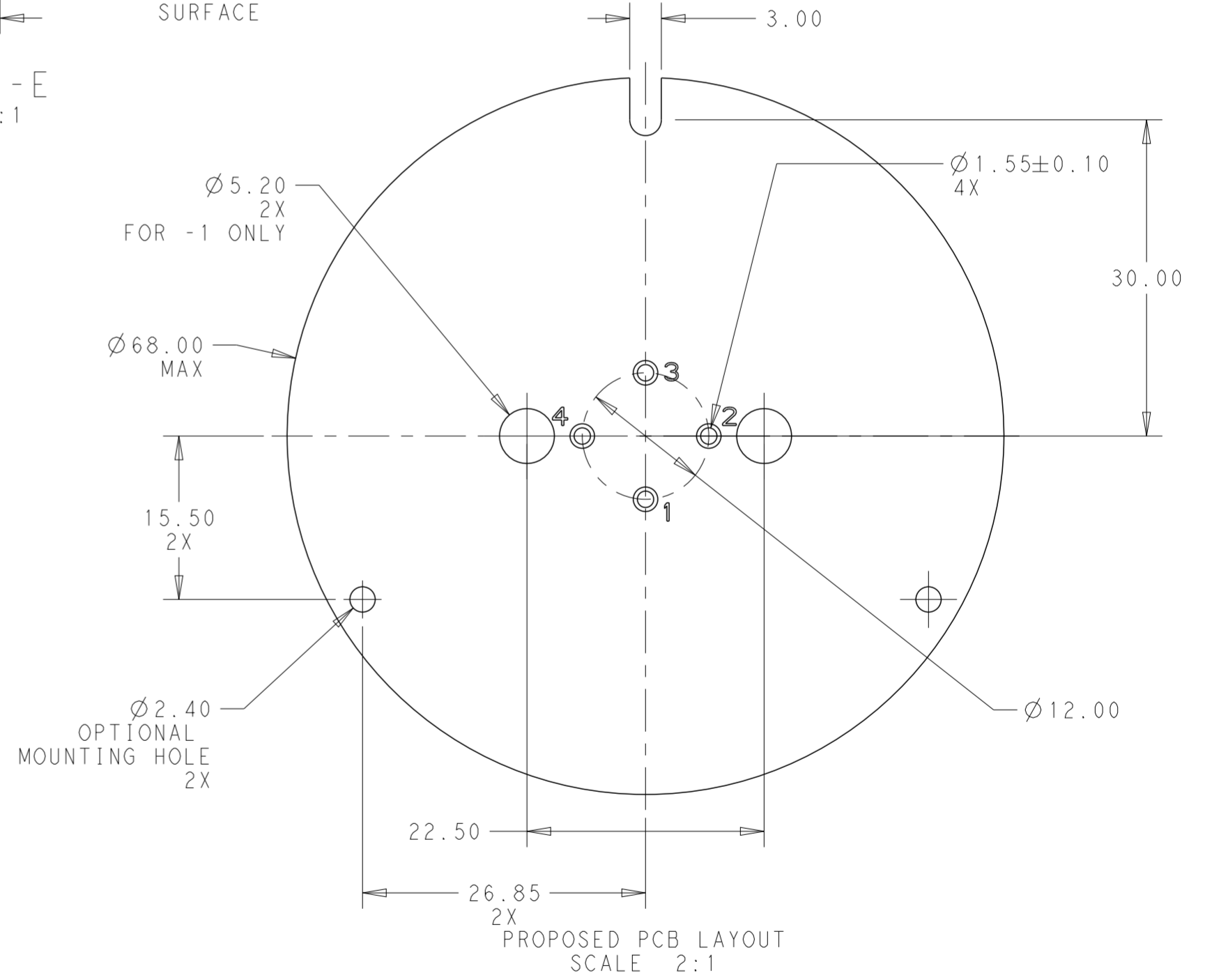
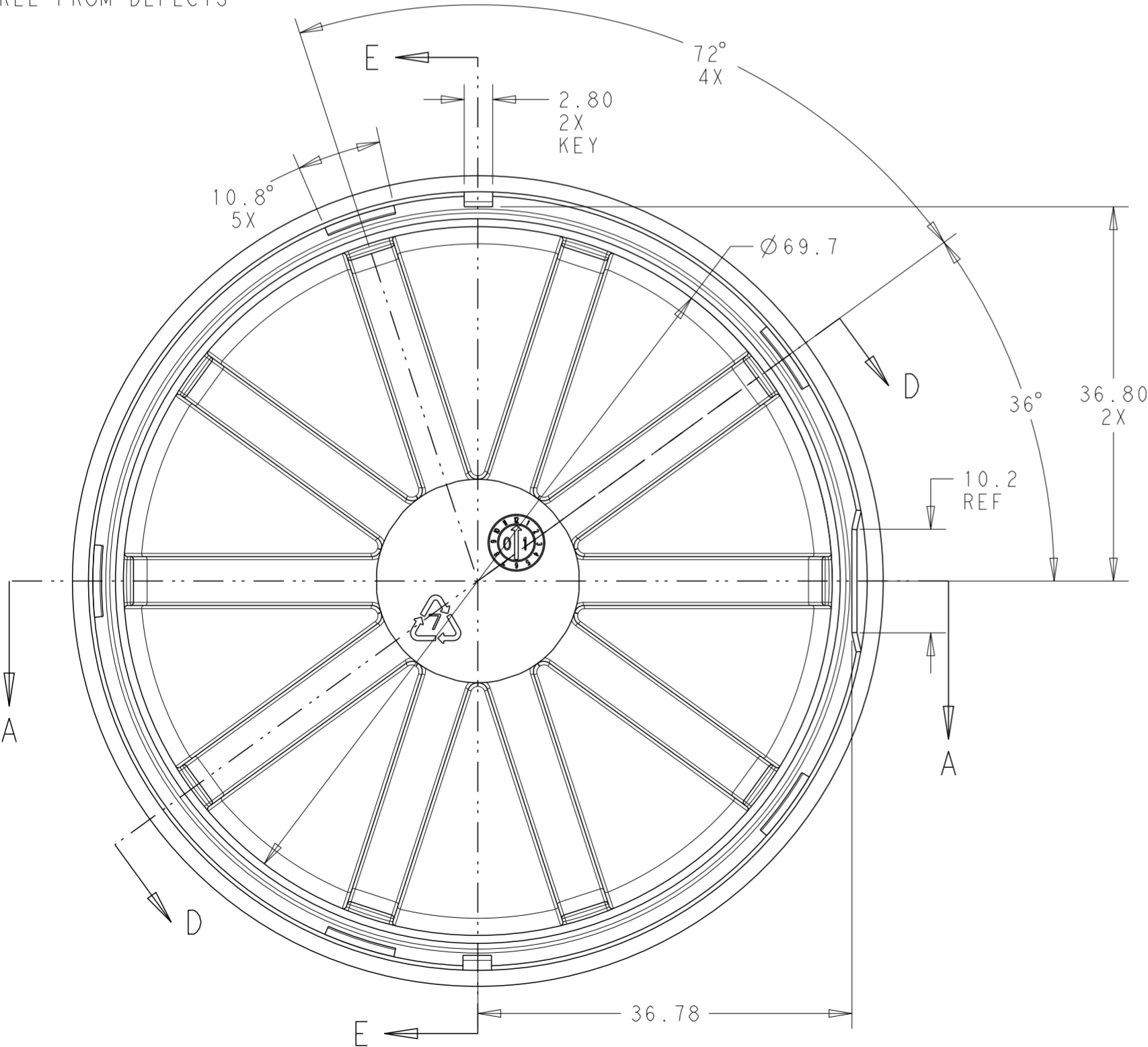
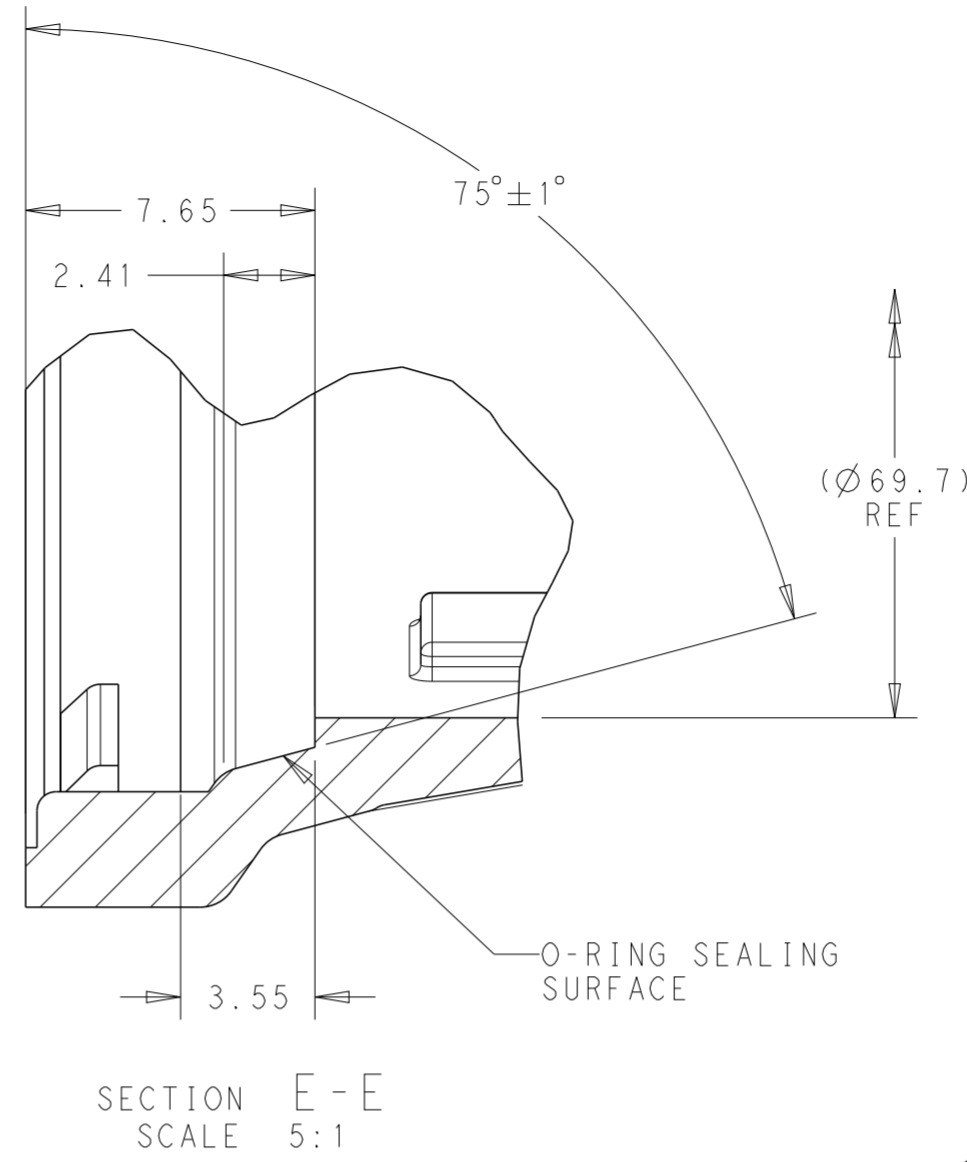
THIS DRAWING IS A CONTROLLED DOCUMENT.		DWN C. DAILY 05APR2016	STE TE Connectivity	
		CHK E. HOWARD 05APR2016		
DIMENSIONS:	TOLERANCES UNLESS OTHERWISE SPECIFIED:	APVD -	NAME MODULE BASE ASSEMBLY, LUMAWISE ENDURANCE S 80mm DIAMETER	
mm	0 PLC ± 1 PLC ±0.2 2 PLC ±0.15 3 PLC ± 4 PLC ±	PRODUCT SPEC 108-133073	SIZE A2	CAGE CODE -
MATERIAL - SEE NOTES	ANGLES ±1 FINISH -	APPLICATION SPEC 114-133074	DRAWING NO G-2213831	RESTRICTED TO -
		WEIGHT -	SCALE 2:1	SHEET 2 OF 3
		CUSTOMER DRAWING	REV A2	

THIS DRAWING IS UNPUBLISHED. RELEASED FOR PUBLICATION 20
 © COPYRIGHT 20 BY - ALL RIGHTS RESERVED.

REVISIONS				
P	LTR	DESCRIPTION	DATE	APVD
-	-	SEE SHEET 1	-	-



O-RING SEALING SURFACE;
MUST BE SMOOTH AND
FREE FROM DEFECTS



THIS DRAWING IS A CONTROLLED DOCUMENT.		DWN C. DAILY 05APR2016	TE Connectivity	
		CHK E. HOWARD 05APR2016		
DIMENSIONS: mm	TOLERANCES UNLESS OTHERWISE SPECIFIED:	APVD -	NAME MODULE BASE ASSEMBLY, LUMAWISE ENDURANCE S 80mm DIAMETER	
0 PLC ±	1 PLC ±0.2	PRODUCT SPEC 108-133073	SIZE A2	CAGE CODE -
2 PLC ±0.15	3 PLC ±	APPLICATION SPEC 114-133074	DRAWING NO C-2213831	RESTRICTED TO -
4 PLC ±	ANGLES ±1	WEIGHT -	SCALE 2:1	SHEET 3 OF 3
MATERIAL -	FINISH -	CUSTOMER DRAWING	REV A2	
SEE NOTES				

X-ON Electronics

Largest Supplier of Electrical and Electronic Components

Click to view similar products for [LED Lighting Mounting Accessories](#) category:

Click to view products by [TE Connectivity](#) manufacturer:

Other Similar products are found below :

[C16142_HEKLA-SOCKET-K](#) [3SU1401-1BG20-1AA0](#) [3SU1900-0BC31-0NB0](#) [ES16-RT](#) [1SFA616921R2042](#) [1SFA616921R2131](#)
[1SFA616921R2133](#) [1SFA616921R2143](#) [1SFA611621R1093](#) [B8910020](#) [D3980022](#) [E3990022](#) [E3990040](#) [CABI12 E BK 1M SET PRM](#)
[FLAT8 H/U BK 1M SET PRM](#) [BEGTIN12 J/S BK 1M SET PRM](#) [1-2213678-6](#) [C16791_CLAMP-Z45-A](#) [F17250_SOLDER-CLIP-A](#) [CM22-](#)
[4-20MA](#) [CM22-R10K-MT](#) [CM22-R1K](#) [CM22-R50K](#) [CM22-R5K-MT](#) [CM22-SLR](#) [10465](#) [M22-A](#) [M22-CK11](#) [M22-CK20](#) [M22G-XGPV](#)
[M22-K01](#) [M22-LCH-W](#) [M22-LC-R](#) [M22-LED230-R](#) [M22-LED230-W](#) [M22-LEDC230-G](#) [M22-LEDC-G](#) [M22-LEDC-W](#) [M22-LED-G](#)
[M22-LED-W](#) [M22-L-G](#) [M22-LH-G](#) [M22-LH-R](#) [M22-LH-W](#) [M22-L-R](#) [M22-L-W](#) [M22-L-X](#) [M22-R10K](#) [M22-R1K](#) [M22-R470K](#)