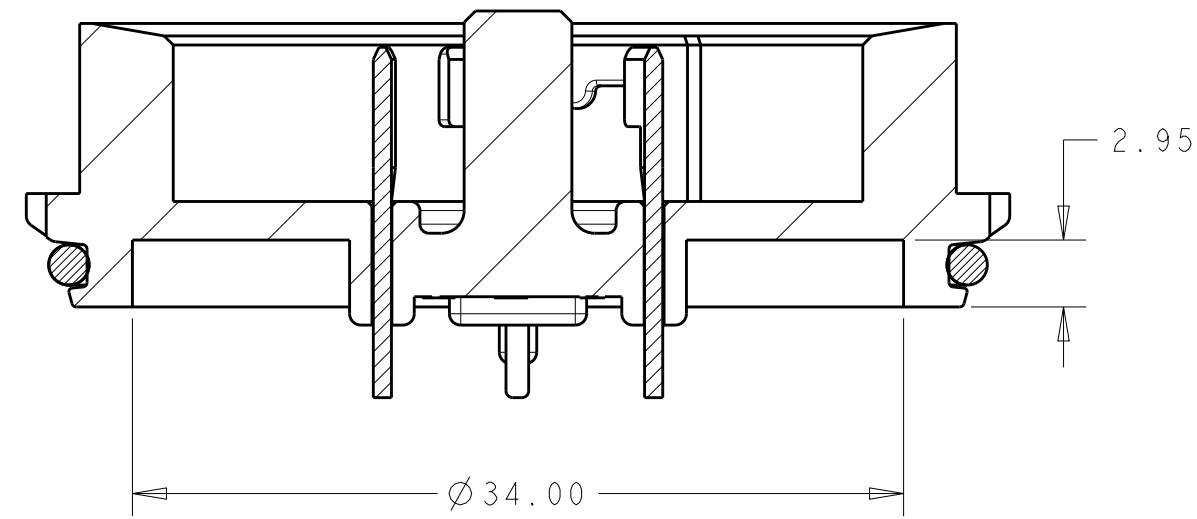
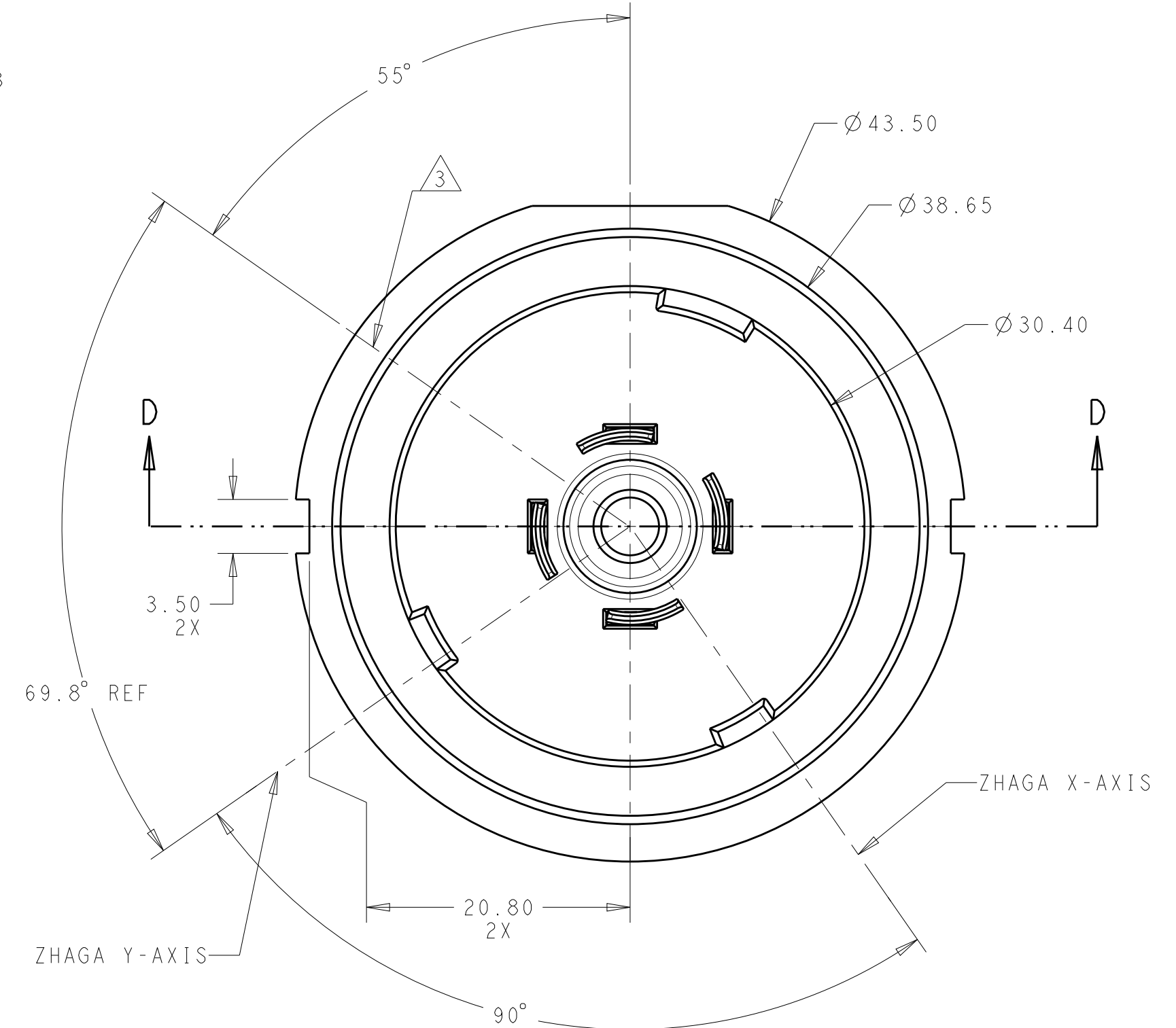
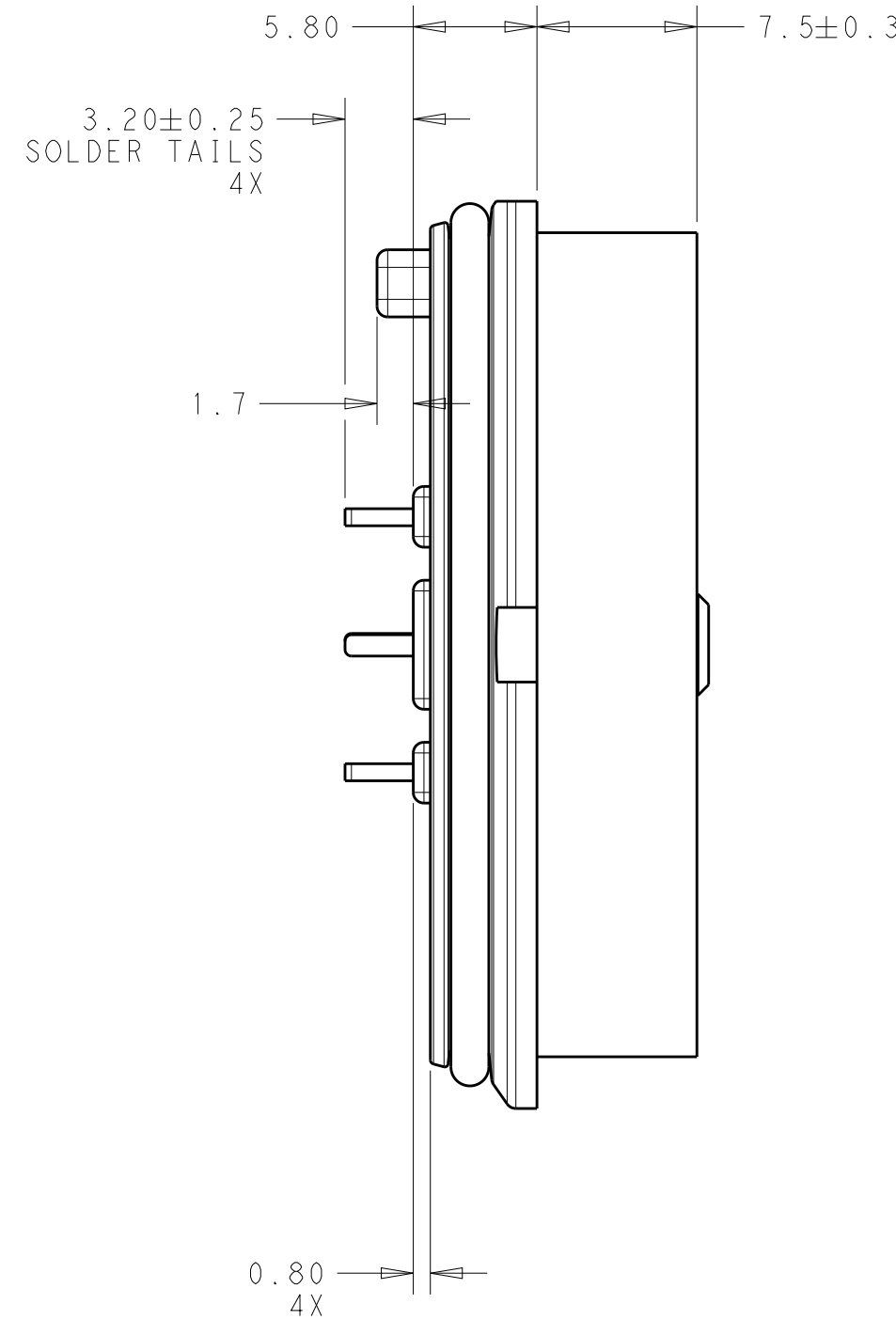
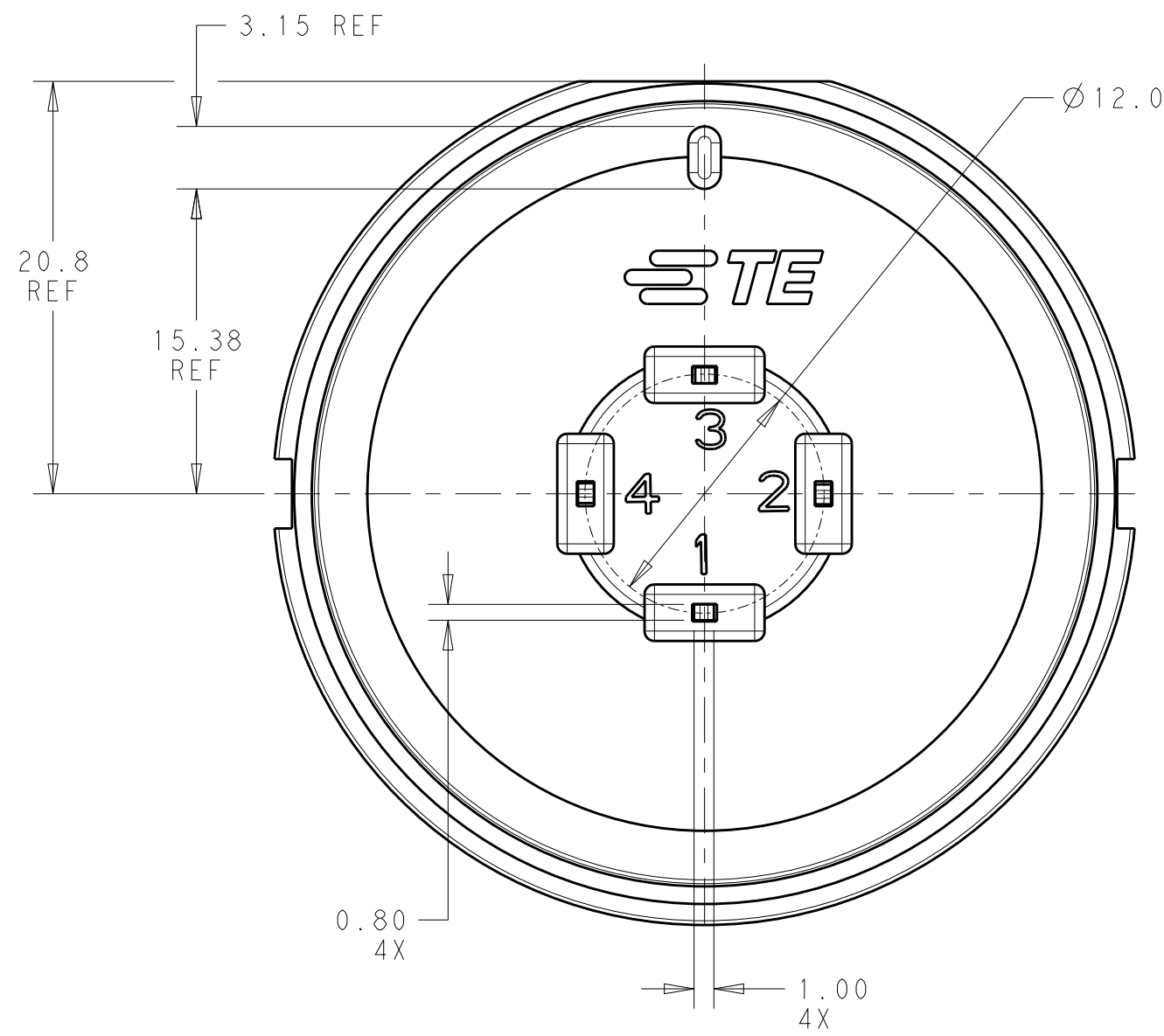


THIS DRAWING IS UNPUBLISHED. RELEASED FOR PUBLICATION 20
 © COPYRIGHT 20 BY - ALL RIGHTS RESERVED.

REVISIONS				
P	LTR	DESCRIPTION	DATE	APVD
A		ECR-19-019138	11DEC2019	SB DD

NOTES:

- 1 MATERIALS AND FINISH:
 -MODULE HOUSING: PBT, COLOR: GREY
 -CONTACTS: BRASS, FINISH: Sn OVER Ni
 -O-RING: SILICON RUBBER, COLOR: BLACK
- 2. MUST COMPLY WITH DIRECTIVE 2002/95/EC (ROHS)
- 3 LOCATION OF FLAT ON RECEPTACLE (TE P/N 2213858-1)
 THREAD SECTION IN FULL MATED POSITION
- 4. COMPATIBLE DOME IS 2329013-X.



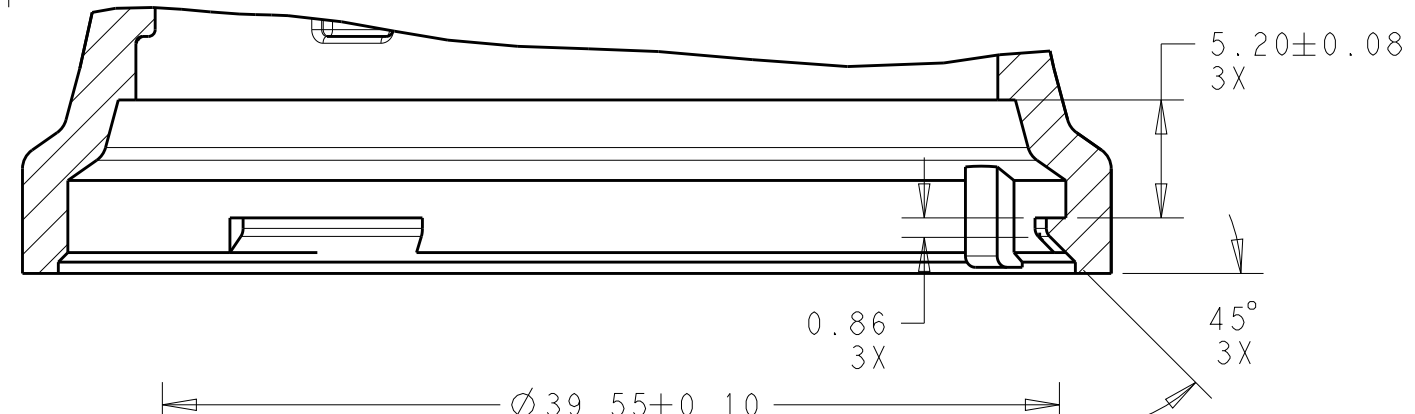
STANDARD	2213837-1
DESCRIPTION	PART NO.

THIS DRAWING IS A CONTROLLED DOCUMENT.		DWN C. DAILY 18MAY2016	STE TE Connectivity	
		CHK M. MOSTOLLER 18MAY2016		
DIMENSIONS:	TOLERANCES UNLESS OTHERWISE SPECIFIED:	APVD -	NAME MODULE BASE ASSEMBLY, LUMAWISE ENDURANCE S 40mm DIAMETER	
mm	0 PLC ± 1 PLC ±0.2 2 PLC ±0.15 3 PLC ±0 4 PLC ±0	PRODUCT SPEC 108-133073	SIZE A2	
	ANGLES ±1° FINISH -	APPLICATION SPEC 114-133074	CAGE CODE -	DRAWING NO. C-2213837
MATERIAL SEE NOTES	-	WEIGHT -	SCALE 2:1	SHEET 1 OF 2 REV A
		CUSTOMER DRAWING		

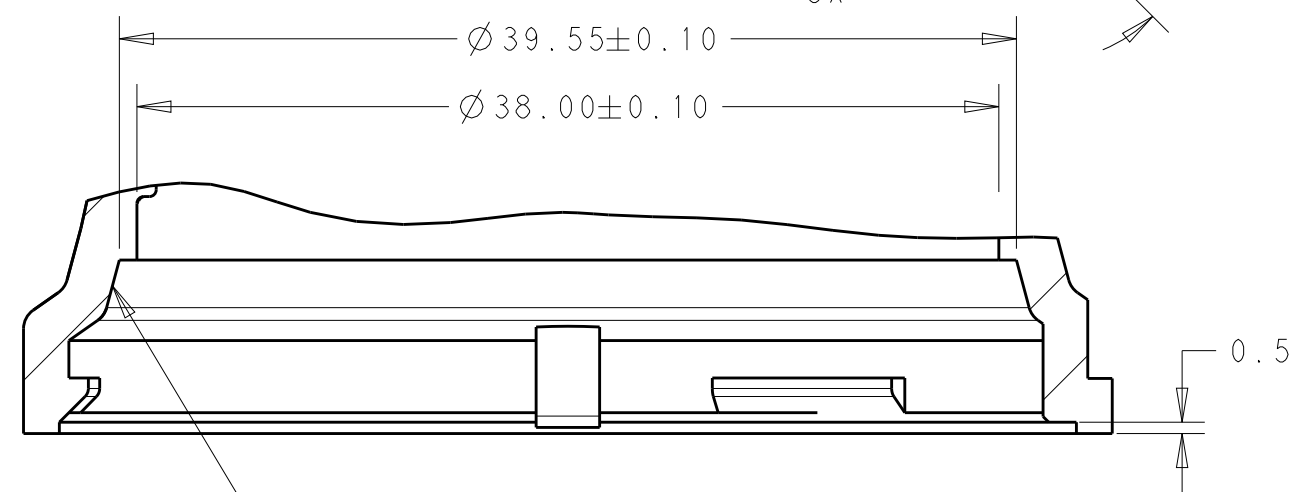
THIS DRAWING IS UNPUBLISHED. RELEASED FOR PUBLICATION 20
 © COPYRIGHT 20 BY - ALL RIGHTS RESERVED.

REVISIONS				
P	LTR	DESCRIPTION	DATE	APVD
-	-	SEE SHEET 1	-	-

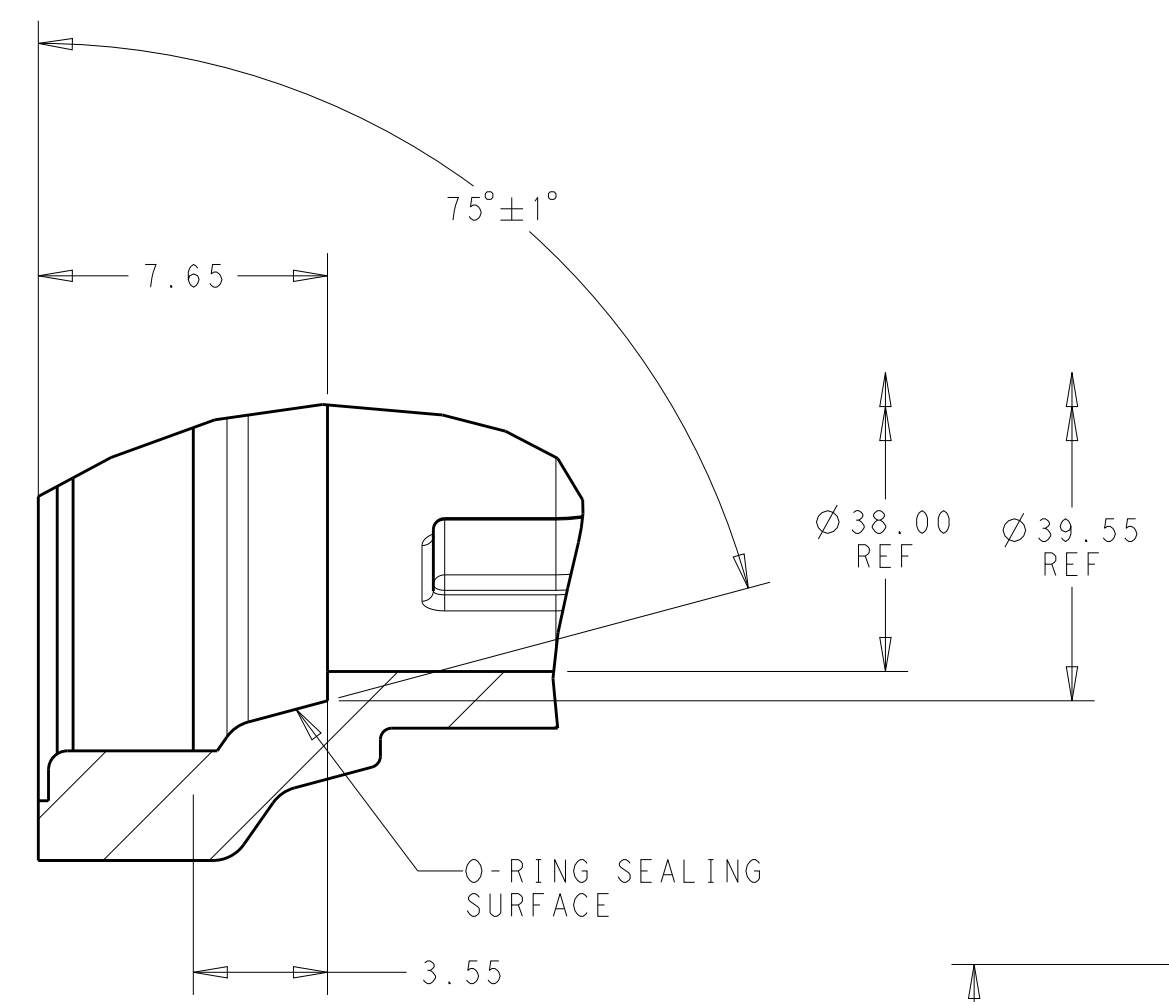
LATCH DETAIL
SECTION B-B
SCALE 3:1



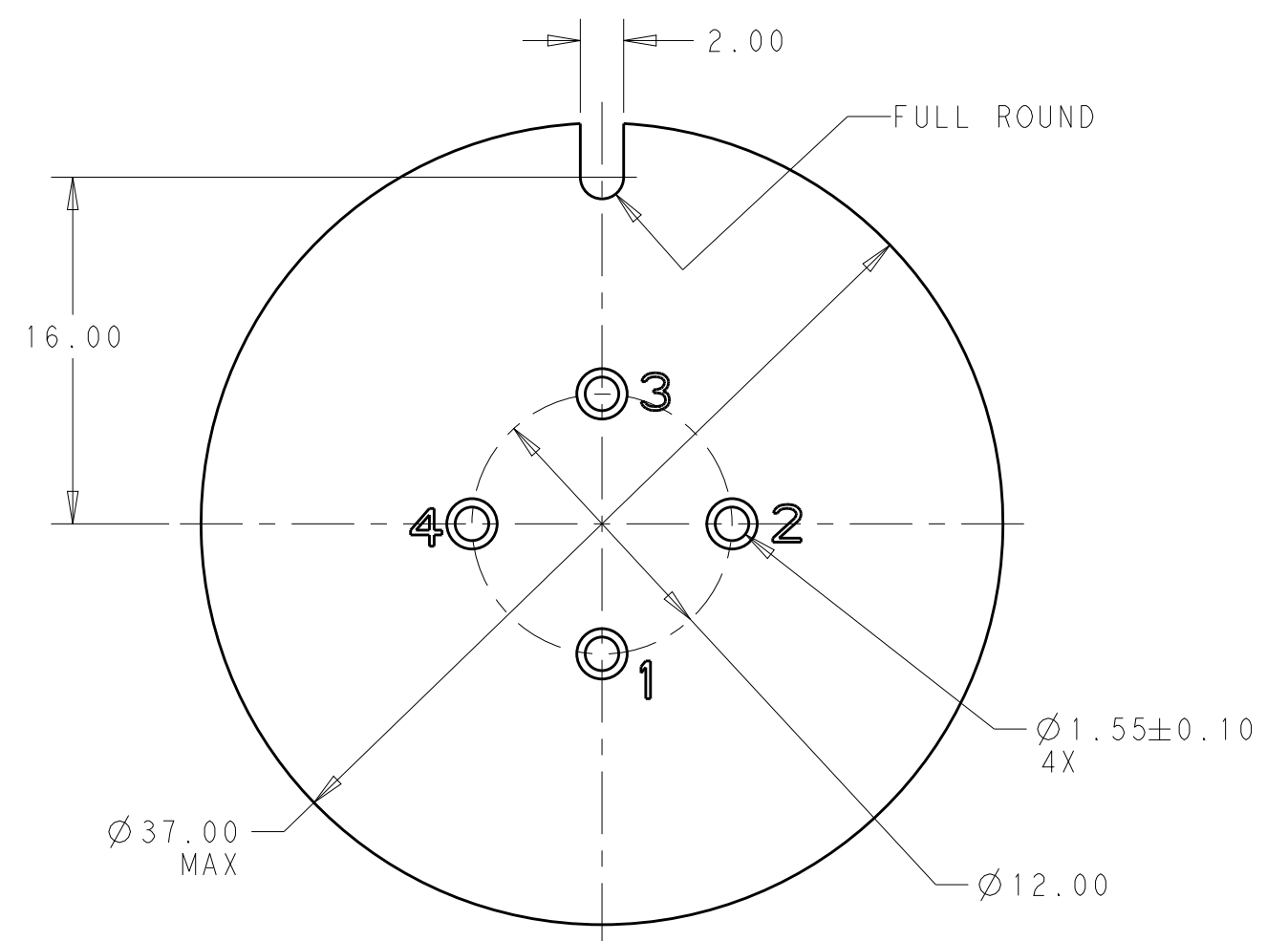
KEY DETAIL
SECTION A-A
SCALE 3:1



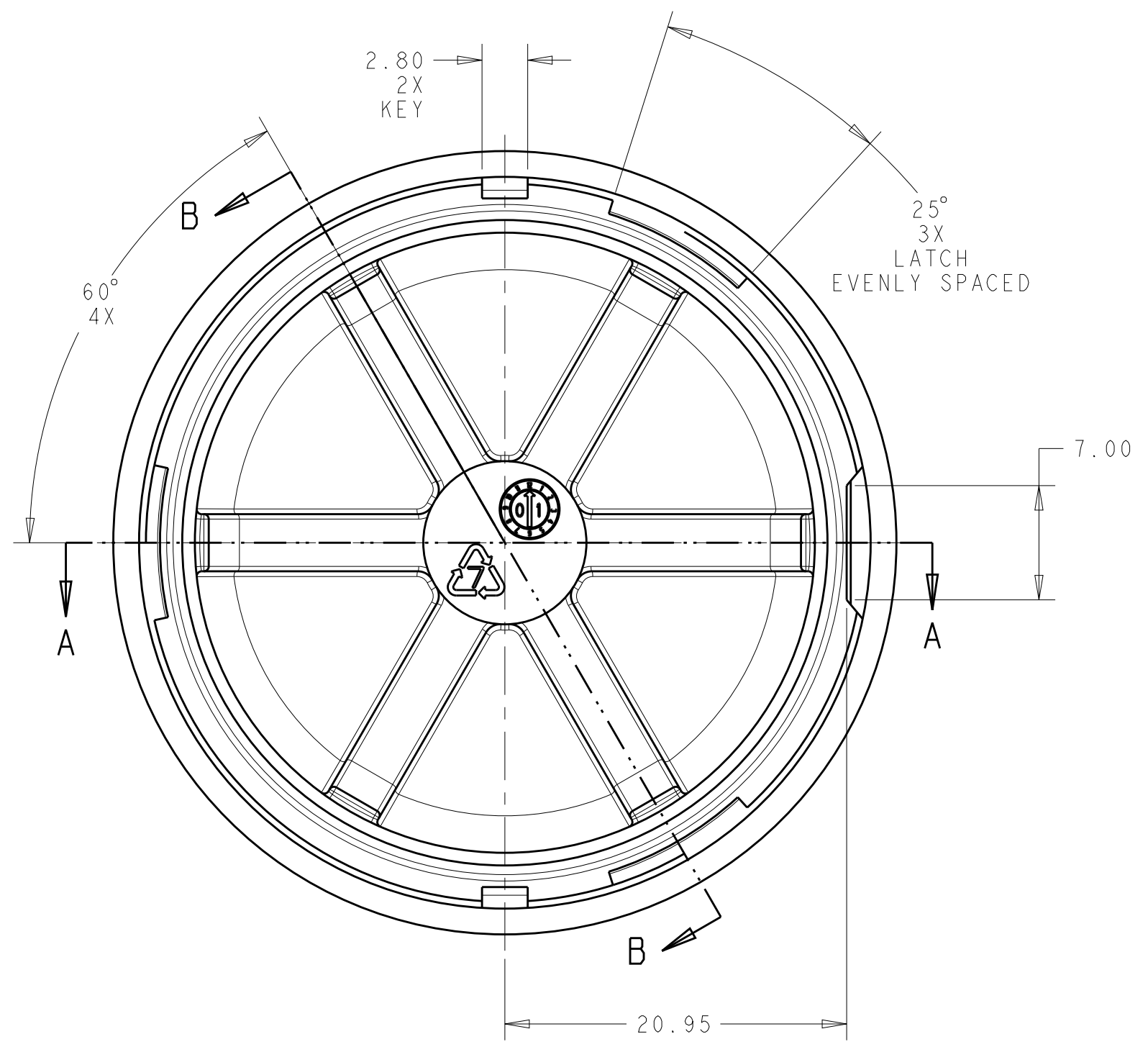
O-RING SEALING SURFACE
MUST BE SMOOTH AND
FREE OF DEFECTS



SECTION C-C
SCALE 5:1



PROPOSED PCB LAYOUT
SCALE 3:1



THIS DRAWING IS A CONTROLLED DOCUMENT.		DWN C. DAILY 18MAY2016	TE Connectivity	
		CHK M. MOSTOLLER 18MAY2016		
DIMENSIONS:	TOLERANCES UNLESS OTHERWISE SPECIFIED:	APVD -	NAME MODULE BASE ASSEMBLY, LUMAWISE ENDURANCE S 40mm DIAMETER	
mm	0 PLC ± 1 PLC ±0.2 2 PLC ±0.15 3 PLC ±0 4 PLC ±0	PRODUCT SPEC 108-133073	SIZE A2	CAGE CODE -
	ANGLES ±1° FINISH -	APPLICATION SPEC 114-133074	DRAWING NO C-2213837	RESTRICTED TO -
MATERIAL SEE NOTES	-	WEIGHT -	SCALE 2:1	SHEET 2 OF 2
	-	CUSTOMER DRAWING	REV A	

X-ON Electronics

Largest Supplier of Electrical and Electronic Components

Click to view similar products for [LED Lighting Mounting Accessories](#) category:

Click to view products by [TE Connectivity](#) manufacturer:

Other Similar products are found below :

[C16142_HEKLA-SOCKET-K](#) [3SU1401-1BG20-1AA0](#) [3SU1900-0BC31-0NB0](#) [ES16-RT](#) [1SFA616921R2042](#) [1SFA616921R2131](#)
[1SFA616921R2133](#) [1SFA616921R2143](#) [1SFA611621R1093](#) [90100002](#) [B8910020](#) [D3980022](#) [E3990022](#) [E3990040](#) [V4840019](#) [V4850019](#)
[CABI12 E BK 1M SET PRM](#) [FLAT8 H/U BK 1M SET PRM](#) [BEGTIN12 J/S BK 1M SET PRM](#) [1-2213678-6](#) [C16791_CLAMP-Z45-A](#)
[F17250_SOLDER-CLIP-A](#) [CM22-4-20MA](#) [CM22-R10K-MT](#) [CM22-R1K](#) [CM22-R50K](#) [CM22-R5K-MT](#) [CM22-SLR](#) [10465](#) [M22-A](#) [M22-](#)
[CK11](#) [M22-CK20](#) [M22G-XGPV](#) [M22-K01](#) [M22-LCH-W](#) [M22-LC-R](#) [M22-LED230-R](#) [M22-LED230-W](#) [M22-LEDC230-G](#) [M22-LEDC-G](#)
[M22-LEDC-W](#) [M22-LED-G](#) [M22-LED-W](#) [M22-L-G](#) [M22-LH-G](#) [M22-LH-R](#) [M22-LH-W](#) [M22-L-R](#) [M22-L-W](#) [M22-L-X](#)