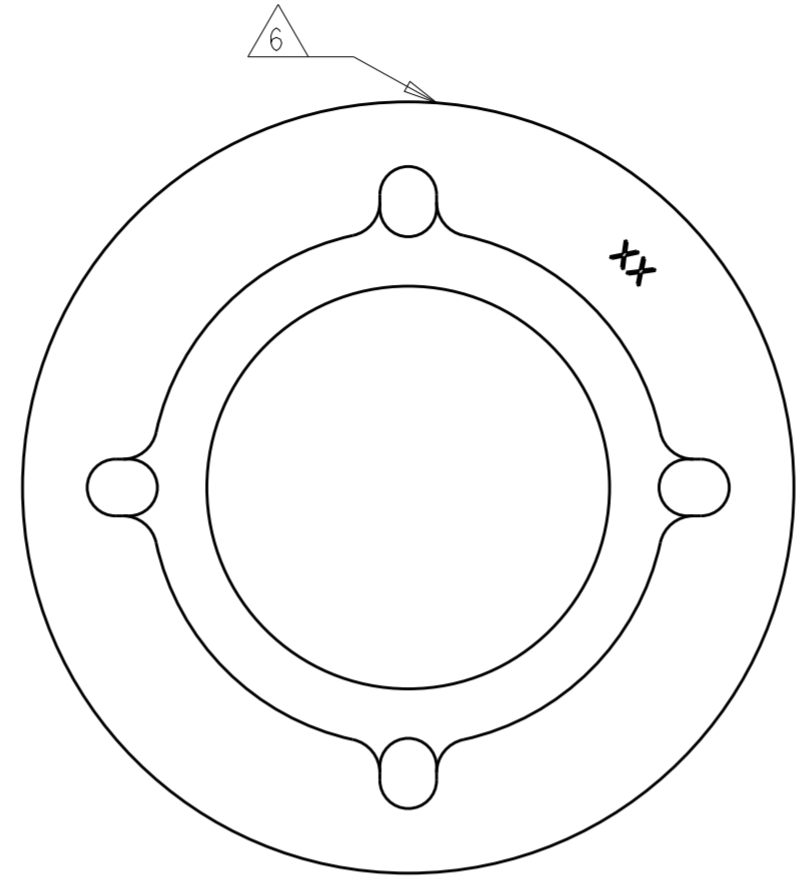
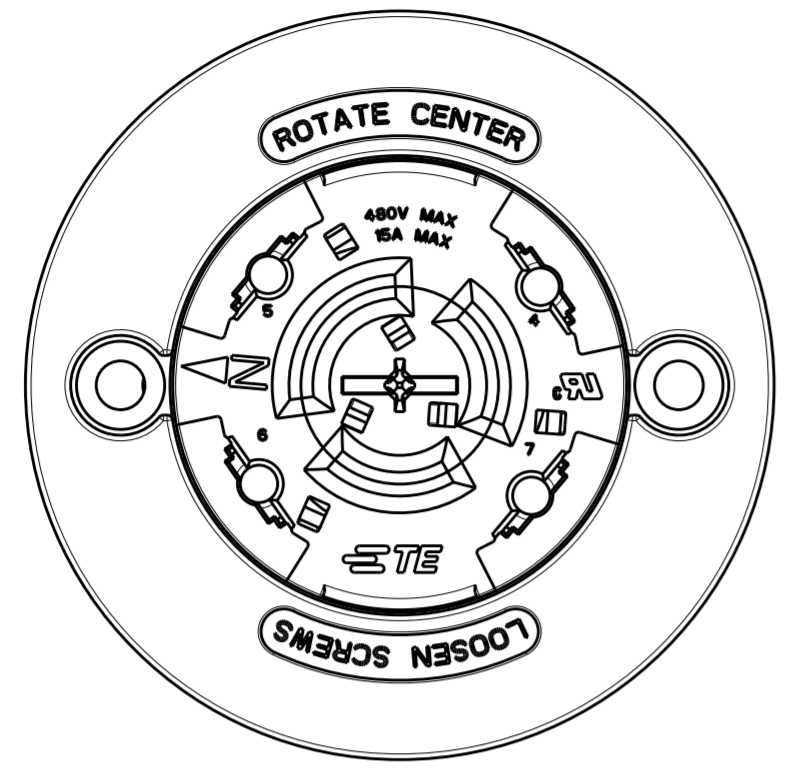


THIS DRAWING IS UNPUBLISHED. RELEASED FOR PUBLICATION 20
 © COPYRIGHT 20 BY - ALL RIGHTS RESERVED.

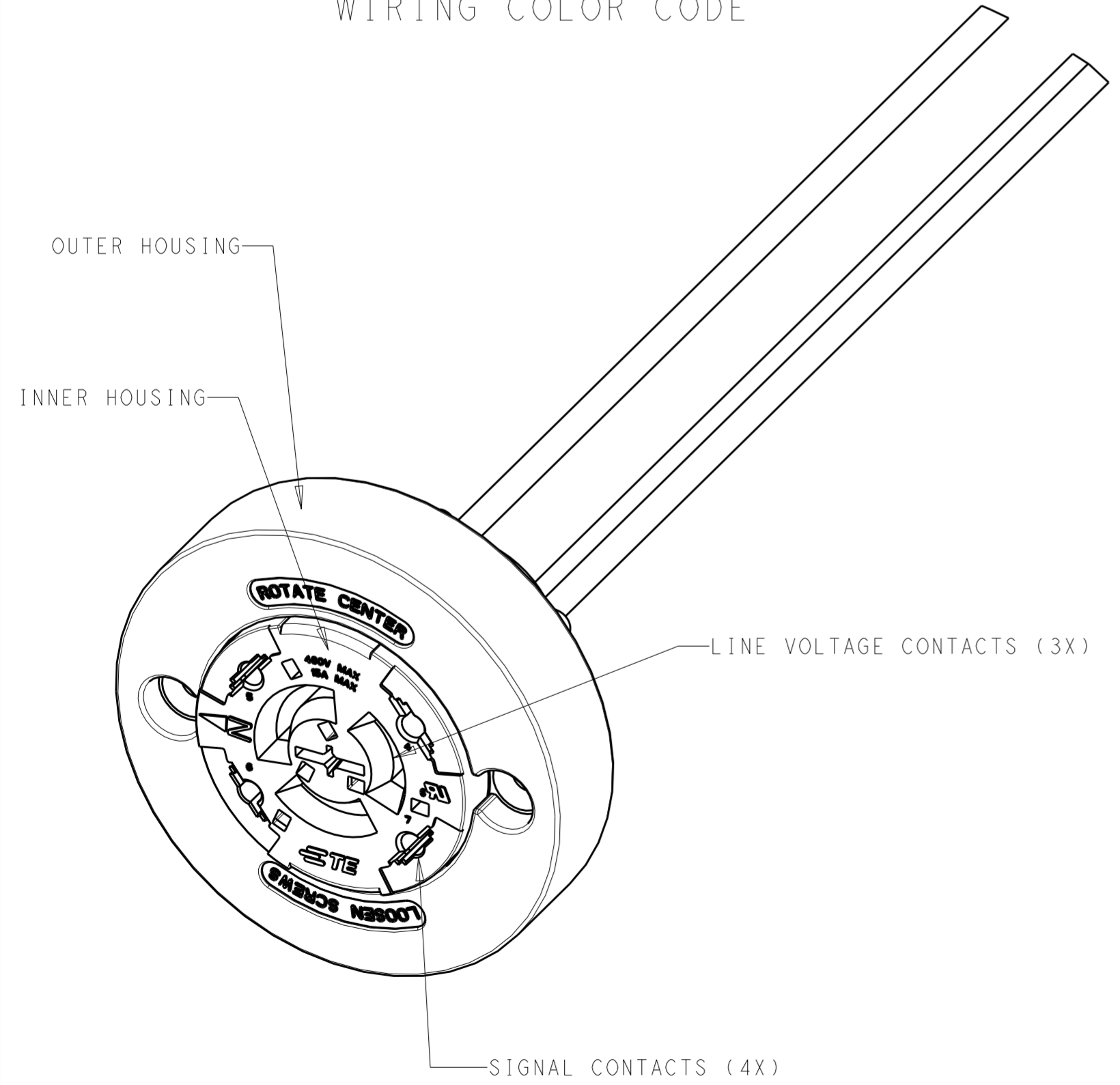
REVISIONS				
P	LTR	DESCRIPTION	DATE	APVD
	A2	REVISED PER ECR-20-016246	23NOV2020	MM JL



NOTES:

1. MATERIALS:
 HOUSINGS: GLASS-FILLED THERMOPLASTIC, UL 94V-0 RATED
 SIGNAL CONTACTS (2 OR 4) AND LINE VOLTAGE CONTACTS (3):
 COPPER ALLOY
2. FINISH:
 LINE VOLTAGE CONTACTS (3): TIN PLATE.
3. LINE VOLTAGE CONDUCTORS (3):
 14 AWG, 600V, 150°C RATED, COPPER 41/30 STRANDED
 PER UL STYLE AWM 3321.
4. MATING INTERFACE PER ANSI C136.41-2013.
5. LINE VOLTAGE CONDUCTORS (3):
 14 AWG, 600V, 105°C RATED, COPPER 41/30 STRANDED.
 PER UL STYLE AWM 1015.
6. SEALING GASKET (TE P/N 2213626-1) SHIPPED IN PLACE ON
 ASSEMBLY AND RETAINED BY THE WIRE LEAD BUNDLE.
7. MUST BE USED WITH GASKET TE P/N 2213626-1 (SOLD SEPARATELY)

SEE SHEET 2 FOR
 WIRING COLOR CODE



342.8	304.8	5	Y 6	2213848-4
342.8	304.8	3	Y 6	2213848-3
342.8	304.8	5	N 7	2213848-2
342.8	304.8	3	N 7	2213848-1
B	A	WIRE STYLE		GASKET
OVERALL LENGTH	WIRE LENGTH			PART NO.

THIS DRAWING IS A CONTROLLED DOCUMENT.

DWN	J. SHAFFER	03MAR2016
CHK	M. MOSTOLLER	03MAR2016
APVD	M. MOSTOLLER	03MAR2016
PRODUCT SPEC	108-32059	
APPLICATION SPEC	114-32148	
WEIGHT	-	
CUSTOMER DRAWING		

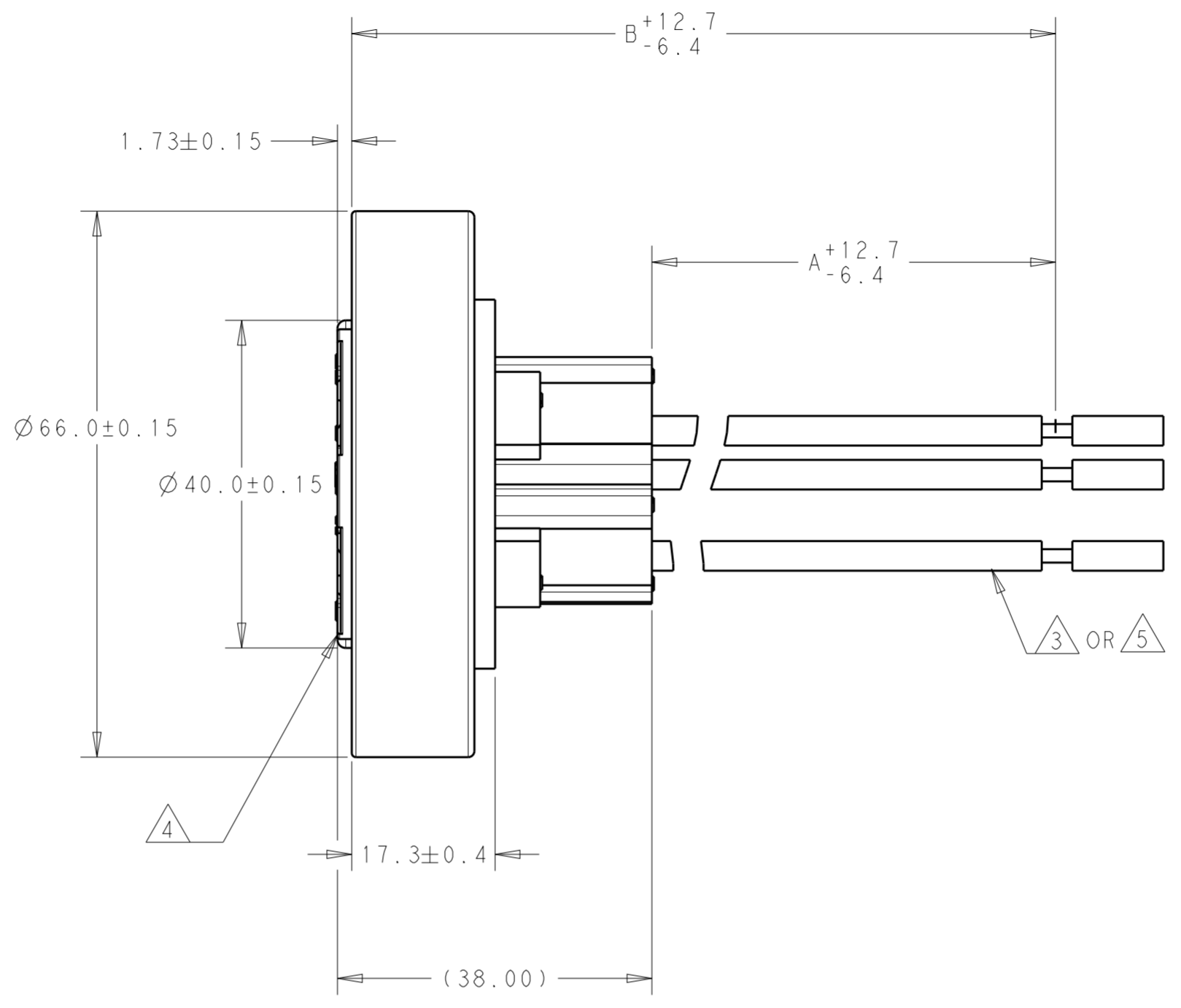
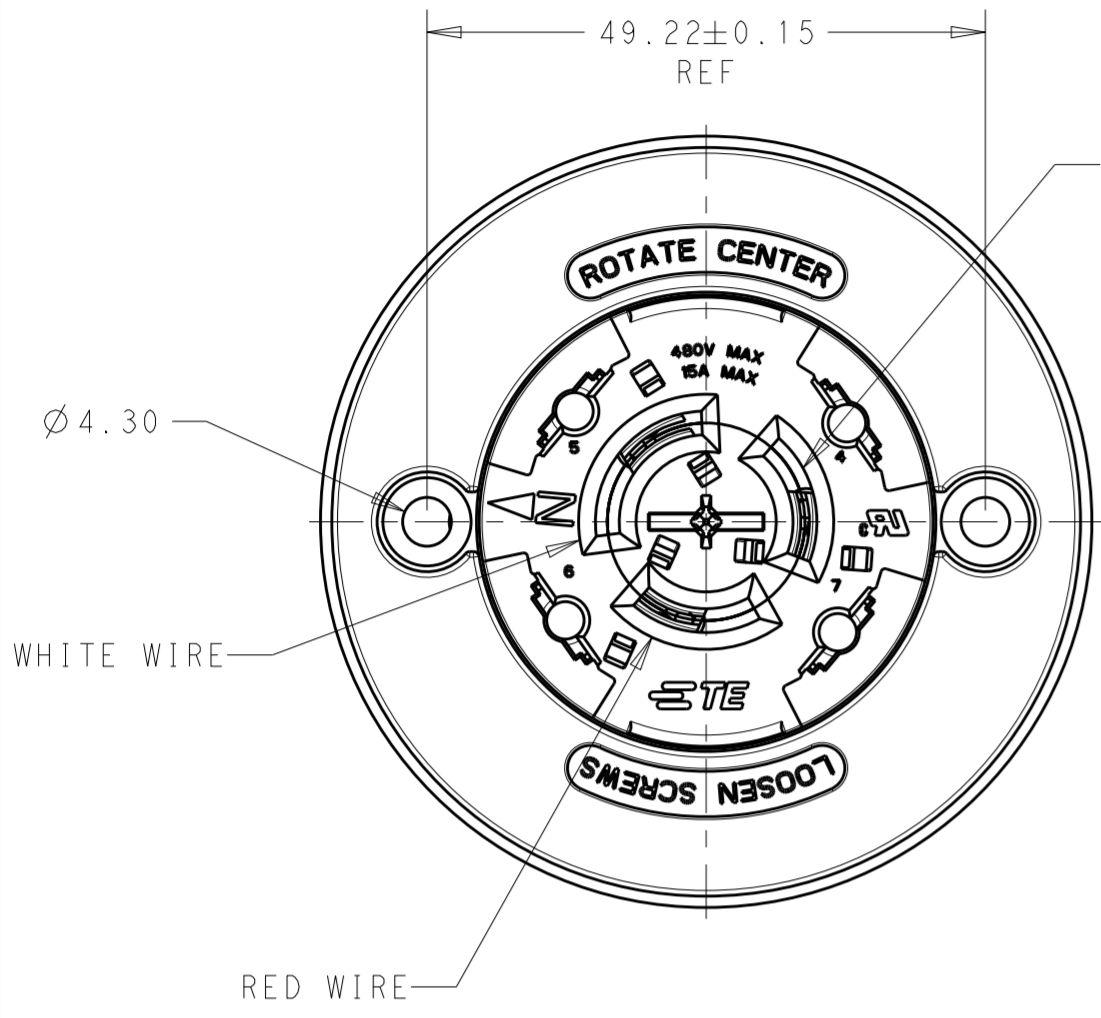
STE TE Connectivity

NAME: ASSEMBLY ROTATABLE PHOTO CONTROL POWER RECEPTACLE (49.22)


SIZE	A2	CAGE CODE	-	DRAWING NO.	C-2213848	RESTRICTED TO	-
SCALE	1:2	SHEET	1	OF	3	REV	A2

THIS DRAWING IS UNPUBLISHED. RELEASED FOR PUBLICATION 20
 © COPYRIGHT 20 BY - ALL RIGHTS RESERVED.

REVISIONS				
P	LTR	DESCRIPTION	DATE	APVD
-	-	SEE SHEET 1	-	-



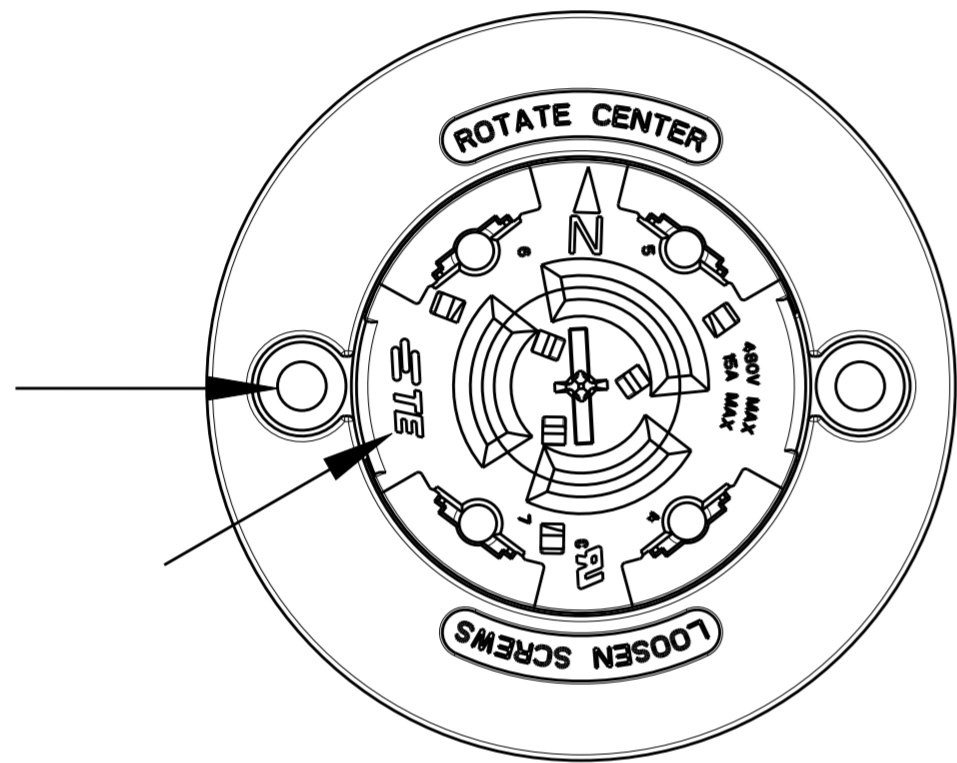
TYPE	POSITION #	WIRE COLOR
POWER	1	BLACK
POWER	2	WHITE
POWER	3	RED

THIS DRAWING IS A CONTROLLED DOCUMENT.		DWN J. SHAFFER 03MAR2016	 TE Connectivity	
DIMENSIONS: mm		CHK M. MOSTOLLER 03MAR2016		
TOLERANCES UNLESS OTHERWISE SPECIFIED:		APVD M. MOSTOLLER 03MAR2016	NAME ASSEMBLY ROTATABLE PHOTO CONTROL POWER RECEPTACLE (49.22)	
0 PLC ±	1 PLC ±	PRODUCT SPEC 108-32059	SIZE A2	CAGE CODE -
2 PLC ±	3 PLC ±	APPLICATION SPEC 114-32148	DRAWING NO C-2213848	RESTRICTED TO -
4 PLC ±	ANGLES ±	WEIGHT -	SCALE 1:2	SHEET 2 OF 3
MATERIAL -	FINISH -	CUSTOMER DRAWING	REV A2	

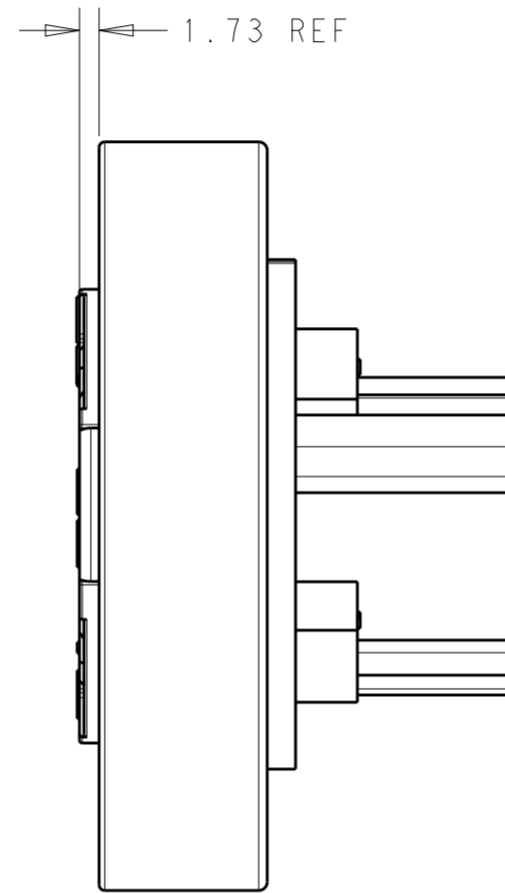
THIS DRAWING IS UNPUBLISHED. RELEASED FOR PUBLICATION 20
 © COPYRIGHT 20 BY - ALL RIGHTS RESERVED.

REVISIONS				
P	LTR	DESCRIPTION	DATE	APVD
-	-	SEE SHEET 1	-	-

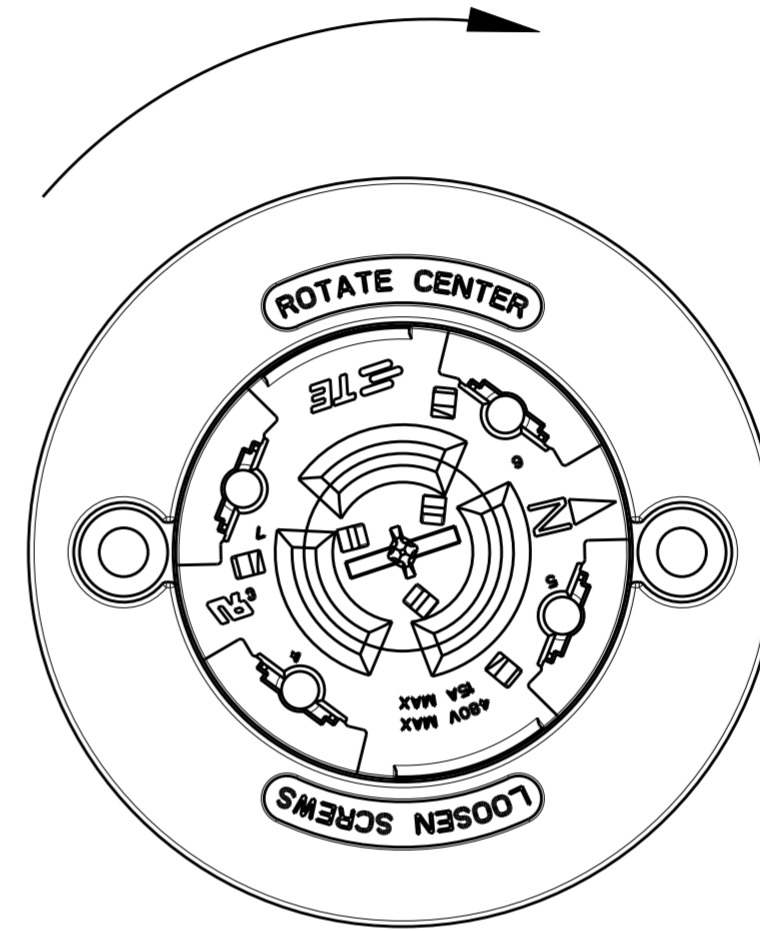
IF THE LOCK RING BECOME SEPARATED FROM THE INNER HOUSING ASSEMBLY, FOLLOW THE THESE STEPS TO SNAP IT BACK INTO PLACE
 TO ASSEMBLE THE LOCK RING ONTO THE INNER HOUSING, THESE STEPS MUST BE FOLLOWED.



STEP 1: ALIGN THE TE LOGO WITH ONE OF THE SCREW HOLES ON THE LOCK RING.



STEP 2: SNAP THE LOCK RING ONTO THE INNER HOUSING ASSEMBLY



STEP 3: TURN THE LOCK RING FULLY CLOCKWISE UNTIL IT STOPS (THE NORTH INDICATOR WILL BE ADJACENT TO ONE OF THE SCREW HOLES IN THE LOCK RING)

THIS DRAWING IS A CONTROLLED DOCUMENT.		DWN J. SHAFFER 03MAR2016	TE Connectivity	
DIMENSIONS: mm 		CHK M. MOSTOLLER 03MAR2016		
TOLERANCES UNLESS OTHERWISE SPECIFIED: 0 PLC ± 1 PLC ± 2 PLC ± 3 PLC ± 4 PLC ± ANGLES ± FINISH -		APVD M. MOSTOLLER 03MAR2016	NAME ASSEMBLY ROTATABLE PHOTO CONTROL POWER RECEPTACLE (49.22)	
MATERIAL -		PRODUCT SPEC 108-32059	SIZE A2	RESTRICTED TO -
-		APPLICATION SPEC 114-32148	CAGE CODE -	DRAWING NO C-2213848
-		WEIGHT -	SCALE 1:2	SHEET 3 OF 3
-		CUSTOMER DRAWING	REV A2	

X-ON Electronics

Largest Supplier of Electrical and Electronic Components

Click to view similar products for [Lighting Connectors](#) category:

Click to view products by [TE Connectivity](#) manufacturer:

Other Similar products are found below :

[293300-7](#) [293660-5](#) [CNX_H03_NTP](#) [30-9767-BU](#) [3605](#) [3-21030-1](#) [ZCH-110-RGB-I](#) [503471-0290](#) [ZCH-110-RGB-J](#) [217-0716-200](#)
[1954563-1](#) [1-293657-2](#) [2834036-1](#) [2834037-1](#) [1-2213222-4](#) [2-2213222-4](#) [2213222-4](#) [2834122-3](#) [2834122-5](#) [2834135-2](#) [FLA-R4142-30](#)
[FLA-R4162-30](#) [FLA-R2142-30](#) [FLA-R2141-30](#) [FLA-R2162-30](#) [FLA-R2161-30](#) [FLA-R0161-30](#) [FLA-R0141-30](#) [FLA-R0142-30](#) [FLA-](#)
[R0162-30](#) [FLA-C00-00](#) [DGA00010553](#) [CNXV04NTP](#) [104128-0610](#) [503485-0000 \(Cut Strip\)](#) [503485-0000 \(Loose Piece\)](#) [503485-0000](#)
[\(MINI Reel\)](#) [1-2834074-2](#) [1-2834074-3](#) [1357-AC PLUG W2C \(CHINA\)](#) [1357-AC PLUG W2 \(USA\)](#) [104266-0110](#) [CNXV02NTP](#) [2106212-1](#)
[2-2834074-2](#) [104266-0210](#) [293470-1](#) [293651-2](#) [293651-4](#) [1-2834006-2](#)