

4

3

2

1

THIS DRAWING IS UNPUBLISHED. RELEASED FOR PUBLICATION 20  
 © COPYRIGHT 20 BY - ALL RIGHTS RESERVED.

REVISIONS				
P	LTR	DESCRIPTION	DATE	APVD
A		RELEASED FOR PRODUCTION	13SEP2017	RK OP
A1		REVISED PER ECR-19-008526	31MAY2019	SR DD
A2		ECR-20-017275	20JAN2021	JL MM

ZHAGA X-AXIS  
 ZHAGA Y-AXIS  
 Ø5.35  
 Ø30.00  
 Ø36.50±0.25

1.00  
 9.40±0.25  
 2.70  
 1.4  
 18.00 REF  
 27.40±0.30  
 Ø8.00  
 M20X1.5 THREAD

NOTES:

1 MATERIALS AND FINISH:  
 -RECEPTACLE HOUSING: PBT, COLOR: GREY  
 -NUT: NYLON, COLOR: BLACK  
 -CONTACTS: COPPER ALLOY, FINISH: Sn OVER Ni  
 -SEAL: SILICON, COLOR: BLACK  
 -STAR WASHER: STAINLESS STEEL

2. MUST COMPLY WITH DIRECTIVE 2002/95/EC (ROHS)

4 LOCK WASHER (REF P/N: 2213817-1) AND NUT (REF P/N: 2213791-1)  
 NOT ASSEMBLED, SHIPPED BULK PACKED

5 LOCK WASHER (REF P/N: 2213817-1) AND NUT (REF P/N: 2213791-1)  
 NOT INCLUDED

SCALE 5:2

SEE SHEET 2 FOR  
BOTTOM VIEW DETAIL

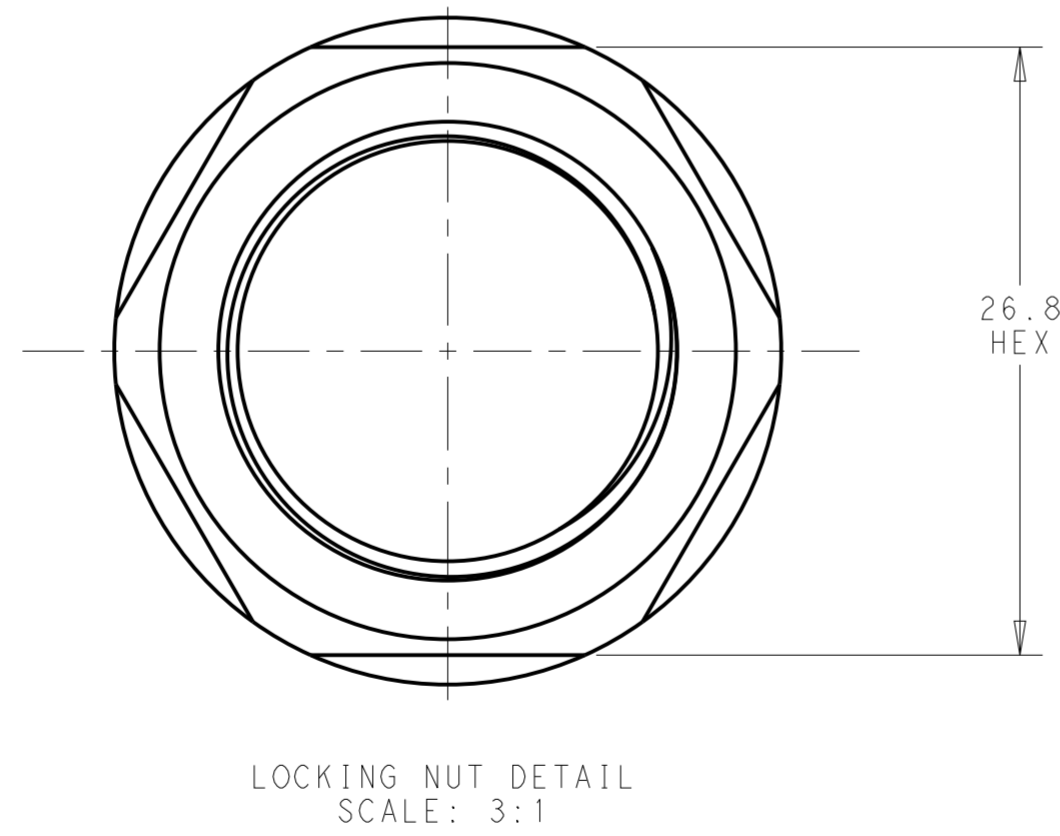
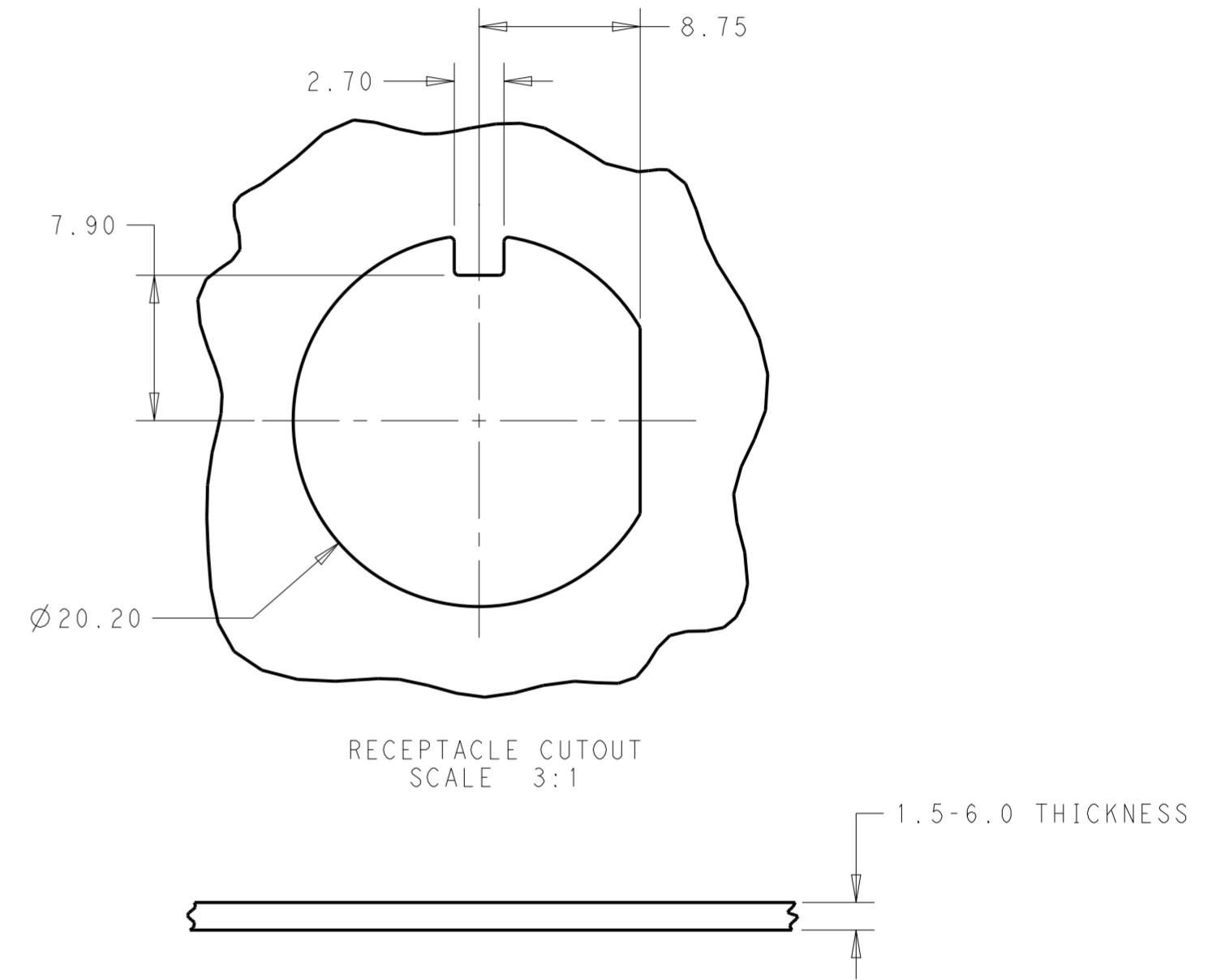
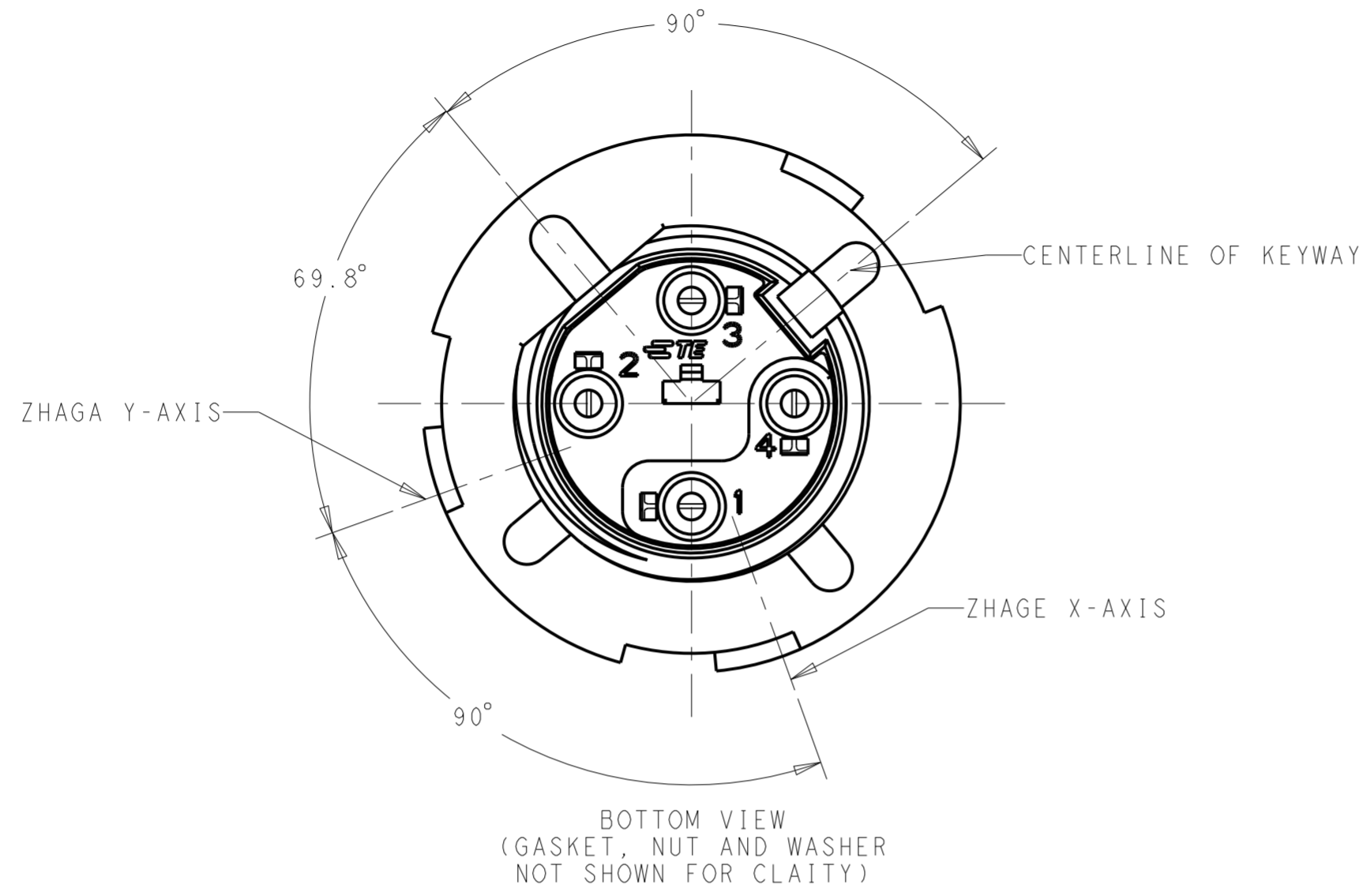
5 1-2213858-1  
 2213858-1  
 PART NO.

THIS DRAWING IS A CONTROLLED DOCUMENT.		DWN C. DAILY 05APR2016	TE Connectivity	
DIMENSIONS: mm		CHK E. HOWARD 05APR2016	NAME RECEPTACLE ASSEMBLY, LUMAWISE ENDURANCE S	
TOLERANCES UNLESS OTHERWISE SPECIFIED:		APVD -	PRODUCT SPEC 108-133073	
0 PLC ±		APVD -	APPLICATION SPEC 114-133074	
1 PLC ±0.2		APVD -	WEIGHT -	
2 PLC ±0.15		APVD -	CUSTOMER DRAWING	
3 PLC ±		APVD -	SCALE 3:1 SHEET 1 OF 2 REV A2	
4 PLC ±		APVD -		
ANGLES ±		APVD -		
FINISH ±2		APVD -		

1471-9 (3/13)

THIS DRAWING IS UNPUBLISHED. RELEASED FOR PUBLICATION 20  
 © COPYRIGHT 20 BY - ALL RIGHTS RESERVED.

REVISIONS				
P	LTR	DESCRIPTION	DATE	APVD
-	-	SEE SHEET 1	-	-



THIS DRAWING IS A CONTROLLED DOCUMENT.		DWN C. DAILY 05APR2016	<b>STE</b> TE Connectivity	
		CHK E. HOWARD 05APR2016		
DIMENSIONS: mm		APVD -	NAME RECEPTACLE ASSEMBLY, LUMAWISE ENDURANCE S	
TOLERANCES UNLESS OTHERWISE SPECIFIED:		PRODUCT SPEC 108-133073	SIZE A2	
0 PLC ±		APPLICATION SPEC 114-133074	CAGE CODE -	DRAWING NO. C-2213858
1 PLC ±0.2		WEIGHT -	RESTRICTED TO -	
2 PLC ±0.15		CUSTOMER DRAWING	SCALE 3:1	SHEET 2 OF 2
3 PLC ±				REV A2
4 PLC ±				
ANGLES ±2				
FINISH				

## X-ON Electronics

Largest Supplier of Electrical and Electronic Components

*Click to view similar products for [LED Lighting Mounting Accessories](#) category:*

*Click to view products by [TE Connectivity](#) manufacturer:*

Other Similar products are found below :

[C16142\\_HEKLA-SOCKET-K](#) [3SU1401-1BG20-1AA0](#) [3SU1900-0BC31-0NB0](#) [ES16-RT](#) [1SFA616921R2042](#) [1SFA616921R2131](#)  
[1SFA616921R2133](#) [1SFA616921R2143](#) [1SFA611621R1093](#) [B8910020](#) [D3980022](#) [E3990022](#) [E3990040](#) [CABI12 E BK 1M SET PRM](#)  
[FLAT8 H/U BK 1M SET PRM](#) [BEGTIN12 J/S BK 1M SET PRM](#) [1-2213678-6](#) [C16791\\_CLAMP-Z45-A](#) [F17250\\_SOLDER-CLIP-A](#) [CM22-](#)  
[4-20MA](#) [CM22-R10K-MT](#) [CM22-R1K](#) [CM22-R50K](#) [CM22-R5K-MT](#) [CM22-SLR](#) [10465](#) [M22-A](#) [M22-CK11](#) [M22-CK20](#) [M22G-XGPV](#)  
[M22-K01](#) [M22-LCH-W](#) [M22-LC-R](#) [M22-LED230-R](#) [M22-LED230-W](#) [M22-LEDC230-G](#) [M22-LEDC-G](#) [M22-LEDC-W](#) [M22-LED-G](#)  
[M22-LED-W](#) [M22-L-G](#) [M22-LH-G](#) [M22-LH-R](#) [M22-LH-W](#) [M22-L-R](#) [M22-L-W](#) [M22-L-X](#) [M22-R10K](#) [M22-R1K](#) [M22-R470K](#)