

LUMAWISE DIMMING RECEPTACLE

IEC 61984 - Double insulation

TE Connectivity (TE)'s LUMAWISE IEC 61984 Class II compliant dimming receptacles provide an electrical and mechanical interconnection between an ANSI C136.41-2013 photo control cell and luminaire. Ideal for outdoor commercial and utility lighting luminaires, this dimming receptacle is available with two or four dimming contacts to support either 0-10 VDC dimming methods or Digital Addressable Lighting Interface (DALI), while providing a reliable power interconnect with three robust twist lock contacts.

Applications

- Street and Roadway Lighting
- Photo Controls
- Parking Lot Lighting

Electrical

- cUR Recognized to UL 773
- Power Contacts: **Current rating:** 15 A max
Voltage rating: 480 VAC/DC
- Dimming Contacts: **Current rating:** 1.5 A max
Voltage rating: 30 VAC/VDC

Mechanical

- Conforms to dimensional requirements of IEC 61984, Class II
- Offers a 5 and 7 position version
- 5 position: 3 power contacts + 2 dimming/signal contacts
- 7 position: 3 power contacts + 4 dimming/signal contacts
- Power contacts terminated to double insulated 14AWG stranded wire UL style AWM 1617 (105 °C) or UL style AWM 1446 (150 °C)
- Signal contacts terminated to double insulated 18AWG stranded wire UL style AWM 1617 (105 °C) or UL style AWM 1446 (150 °C)

Specifications

- Application Specification: [114-32115](#)
- Product Specification: [108-32059](#)
- Instruction Sheet: [408-32196](#)

Materials


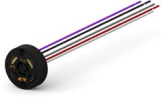
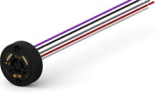
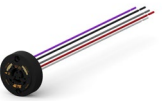

- Power Contacts: Copper alloy, tin over nickel plating
- Dimming Contacts: Copper alloy, gold over nickel plating
- Housing: Glass filled PBT, UL 9 4V-0 flammability rated



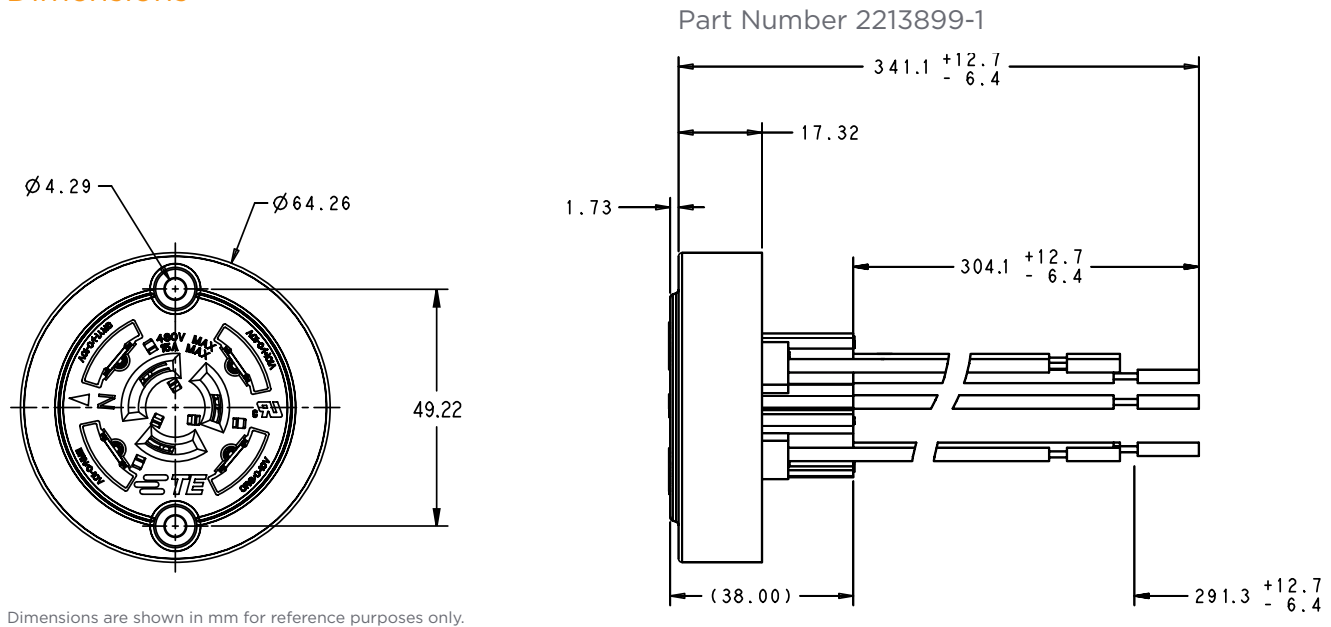
Benefits

- Accepts ANSI standard dimmable photocells to provide a connection between the photocell and the luminaire
- Available with two or four dimming contacts to support one or two channel dimming protocols
- Robust twist lock contacts for a reliable power interconnect
- Receptacle comes pre-terminated with wire leads for ease of integration into new or existing light fixtures
- Available with 105 ° and 150 ° C rated wire insulation for varying temperature rated luminaires
- IEC 61984 Class II compliant

Product Selection Information

	Part Number	Description	Temperature Rating (°C)	Number of Positions
	2213899-1	Receptacle Assembly, Dimmable Photocontrol,	150	3/2
	2213899-2	Receptacle Assembly, Dimmable Photocontrol	150	3/4
	2213899-3	Receptacle Assembly, Dimmable Photocontrol	105	3/2
	2213899-4	Receptacle Assembly, Dimmable Photocontrol	105	3/4
	2213469-1	Gasket (sold separately)		

Dimensions



te.com

© 2017 TE Connectivity All Rights Reserved. LUMAWISE, TE, TE Connectivity, and the TE connectivity (logo) are trademarks of the TE Connectivity Ltd. family of companies. Other logos, product and Company names mentioned herein may be trademarks of their respective owners.

While TE has made every reasonable effort to ensure the accuracy of the information in this brochure, TE does not guarantee that it is error-free, nor does TE make any other representation, warranty or guarantee that the information is accurate, correct, reliable or current. TE reserves the right to make any adjustments to the information contained herein at any time without notice. TE expressly disclaims all implied warranties regarding the information contained herein, including, but not limited to, any implied warranties of merchantability or fitness for a particular purpose. The dimensions in this catalog are for reference purposes only and are subject to change without notice. Specifications are subject to change without notice. Consult TE for the latest dimensions and design specifications.

1-1773923-6 BH 06/2017

USA: +1 (800) 522-6752
 Canada: +1 (905) 475-6222
 Mexico: +52 (0) 55-1106-0800
 Latin/S. America: +54 (0) 11-4733-2200
 Germany: +49 (0) 6251-133-1999
 UK: +44 (0) 800-267666
 France: +33 (0) 1-3420-8686
 The Netherlands: +31 (0) 73-6246-999
 China: +86 (0) 400-820-6015

X-ON Electronics

Largest Supplier of Electrical and Electronic Components

Click to view similar products for [Lighting Cables](#) category:

Click to view products by [TE Connectivity](#) manufacturer:

Other Similar products are found below :

[CL2-EXTEND](#) [96CB-E0605HAA1](#) [ZWF-915-J](#) [68801-4899](#) [68801-2112](#) [68801-2123](#) [68801-4124](#) [68801-4752](#) [68801-4850](#) [ZFS-CH144-12I](#) [96CB-E0405PCA3](#) [96CB-E0405PIC3](#) [96CB-E0605HAB1](#) [SSL11-J2LJ0-022A04](#) [CNXBE4218](#) [1-2058943-7](#) [1-2058943-8](#) [1-2083075-2](#) [1-2083080-1](#) [CNX310-120-X4124](#) [CNX_C_E_4_2_08](#) [CNXBE4118](#) [CNX_310_012_E_4_1_12](#) [2702306](#) [2702307](#) [SSL12-J4FJ0-000001](#) [180888-0405](#) [SSL12-J2LJ0-020F01](#) [180887-0430](#) [1705131](#) [180887-0410](#) [180778-0405](#) [1-2083029-8](#) [SSL12-J4LJ0-020H01](#) [180778-0430](#) [SSL12-P4LP0-M20H01](#) [SSL12-P4LP0-M20F01](#) [SSL12-P2LP0-M20F01](#) [SSL12-J4LJ0-020F01](#) [SSL11-J2LJ0-B22A04](#) [68801-4037](#) [68801-4039](#) [68801-4053](#) [68801-4055](#) [68801-4057](#) [68801-4059](#) [68801-4061](#) [960026](#) [2-2083030-2](#) [SSL12-J2LJ0-020A04](#)