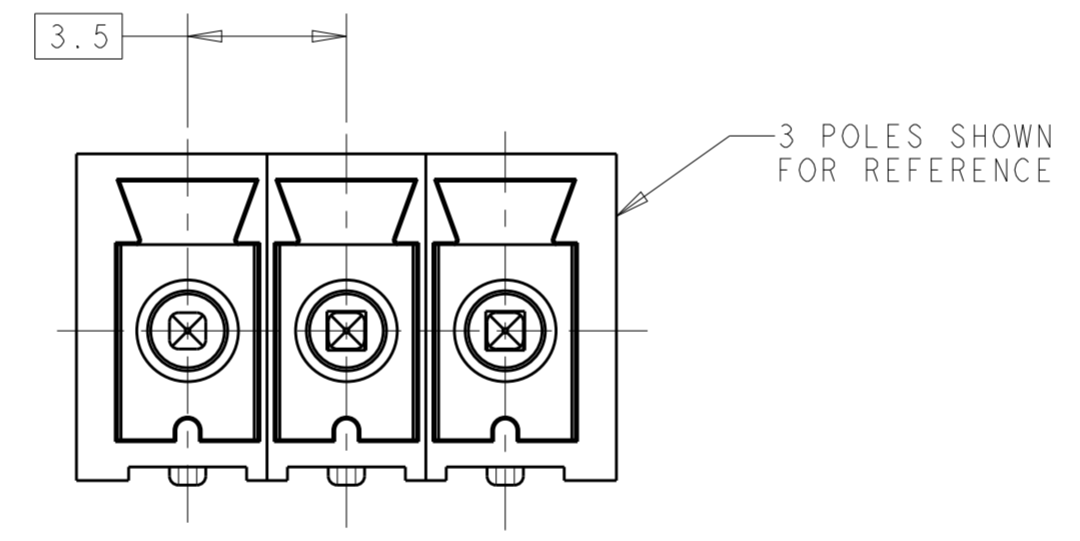
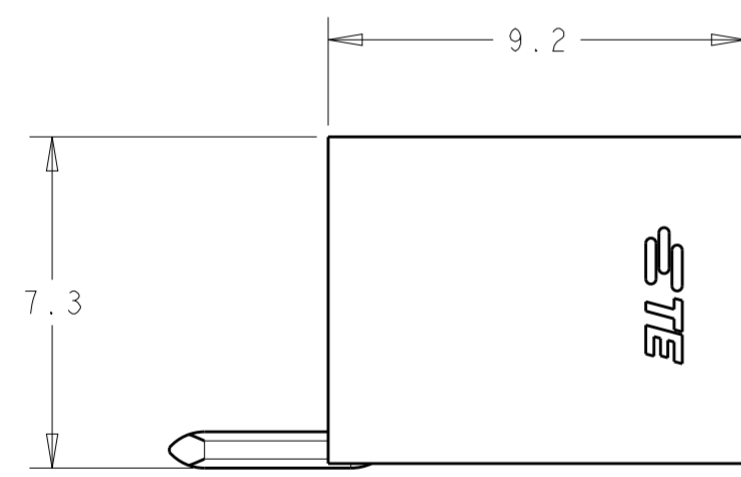
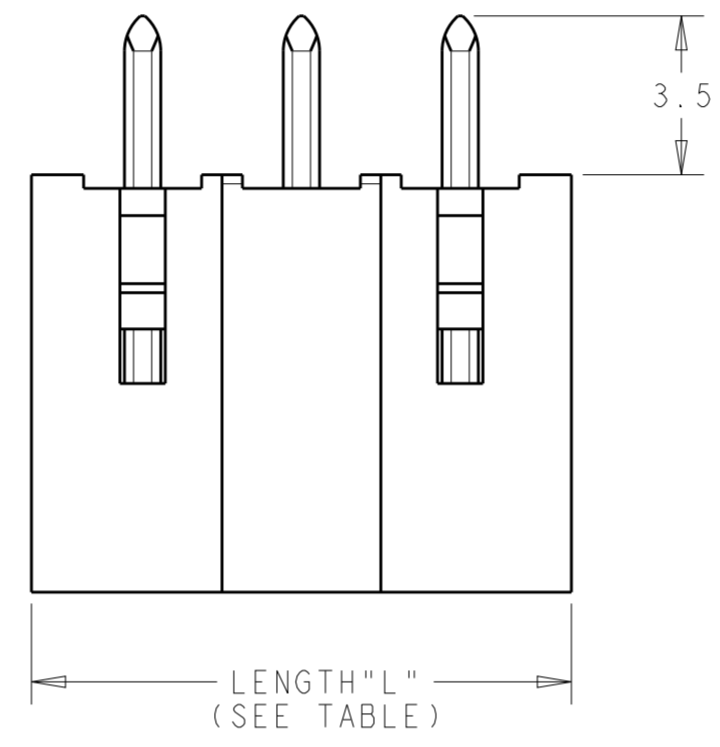
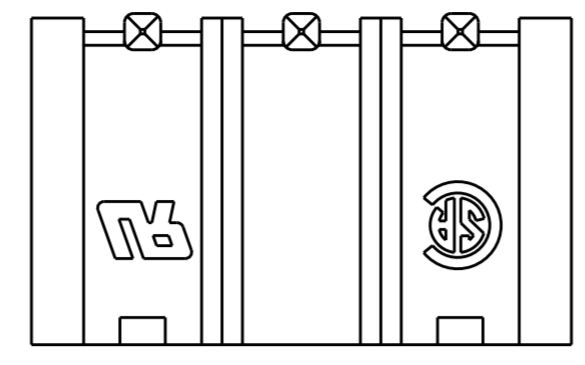
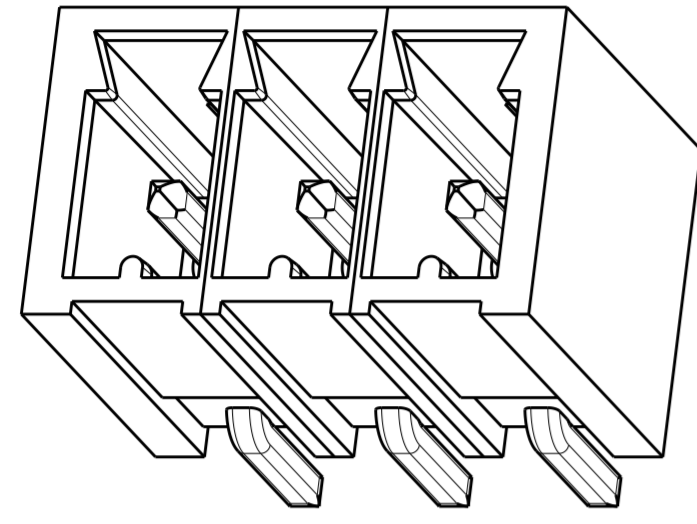


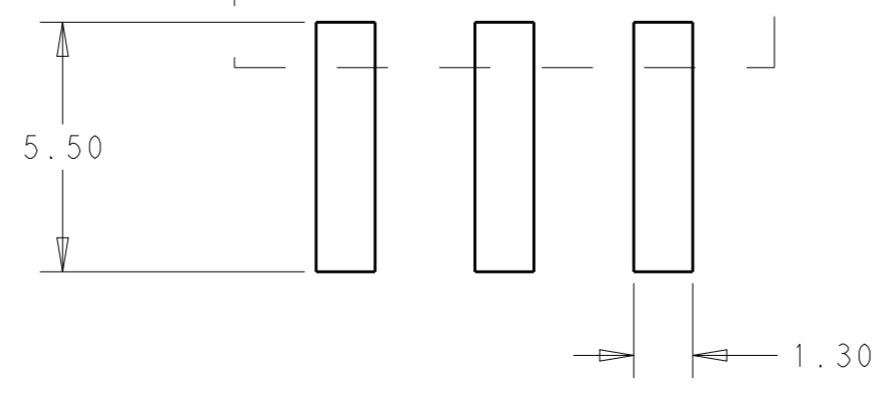
THIS DRAWING IS UNPUBLISHED. RELEASED FOR PUBLICATION
 © COPYRIGHT copyright.d8te ALL RIGHTS RESERVED.

REVISIONS				
P	LTR	DESCRIPTION	DATE	APVD
A		NEW DRAWING	08SEP2016	RS ML
A1		REVISED PER ECR-16-016988	02JAN2017	RK PO



- HOUSING MATERIAL: THERMOPLASTIC, FLAME-RETARDANT PER UL 94 V-0
COLOR = BLACK
- CONTACT MATERIAL: COPPER ALLOY WITH TIN PLATE
- PRODUCT CERTIFICATIONS:
UL: 8A/300V (APPLICATION GROUPS B & D)
CSA: 8A/300V (APPLICATION GROUP B)
- HAZARDOUS SUBSTANCE COMPLIANCE: RoHS, REACH
- PACKAGING: TAPE AND REEL
REEL DIAMETER = 380mm
TAPE WIDTH = SEE TABLE
- MATES WITH 2213936 SERIES

RECOMMENDED PC BOARD PAD LAYOUT
 0.2mm RECOMMENDED STENCIL THICKNESS

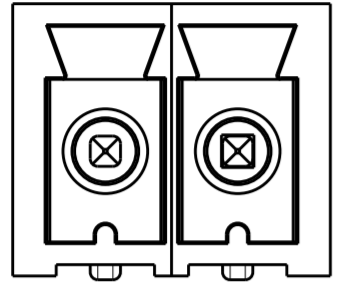


72	43.4	12	1-2213932-2
	39.9	11	1-2213932-1
56	36.4	10	1-2213932-0
	32.9	9	2213932-9
	29.4	8	2213932-8
	25.9	7	2213932-7
	22.4	6	2213932-6
	18.9	5	2213932-5
	15.4	4	2213932-4
	11.9	3	2213932-3
	8.4	2	2213932-2
TAPE WIDTH "W" (mm)	LENGTH "L" (mm)	NO. OF POLES	TE PART NO.

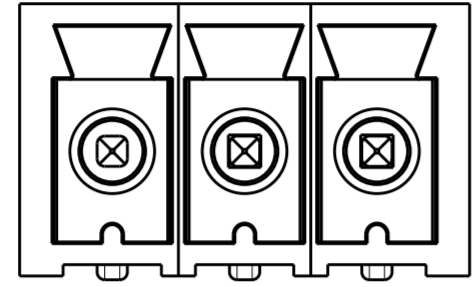
THIS DRAWING IS A CONTROLLED DOCUMENT.		DWN RAVLS 08SEP2016	TE Connectivity	
DIMENSIONS: mm		CHK M.LUKSIC 08SEP2016		
TOLERANCES UNLESS OTHERWISE SPECIFIED:		APVD M.LUKSIC 08SEP2016	NAME TERMINAL BLOCK HEADER, SMT, HORIZONTAL, 3.5MM PITCH	
0 PLC ± 1 PLC ±0.2 2 PLC ±0.13 3 PLC ± 4 PLC ± ANGLES ± FINISH -		PRODUCT SPEC -	SIZE A2	CAGE CODE -
MATERIAL SEE NOTES		APPLICATION SPEC -	DRAWING NO. C-2213932	RESTRICTED TO -
		WEIGHT -	SCALE 5:1	SHEET 1 OF 2
		CUSTOMER DRAWING	REV A1	

THIS DRAWING IS UNPUBLISHED. RELEASED FOR PUBLICATION
 © COPYRIGHT copyright_d8Te- ALL RIGHTS RESERVED.

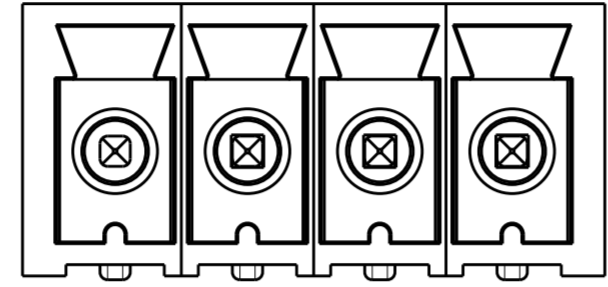
REVISIONS				
P	LTR	DESCRIPTION	DATE	APVD
-		SEE SHEET 1	-	-



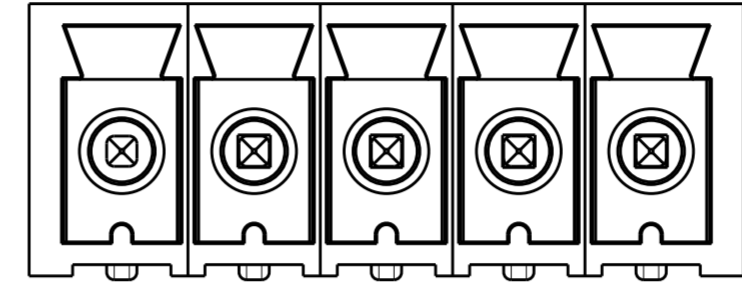
2 POLES: 2213932-2



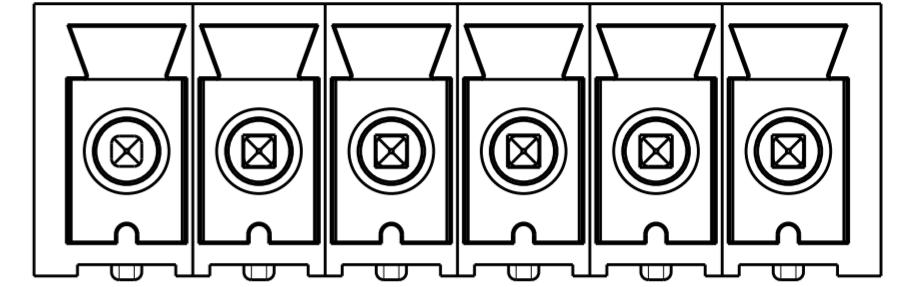
3 POLES: 2213932-3



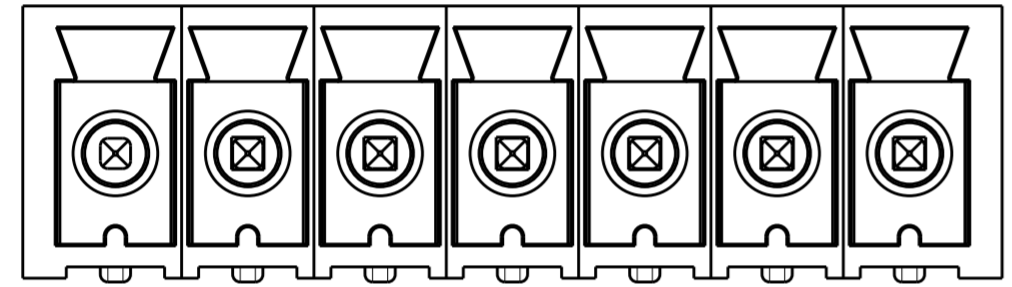
4 POLES: 2213932-4



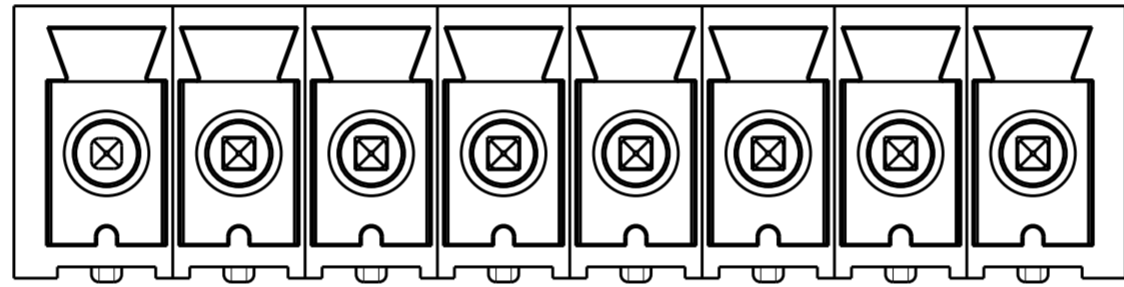
5 POLES: 2213932-5



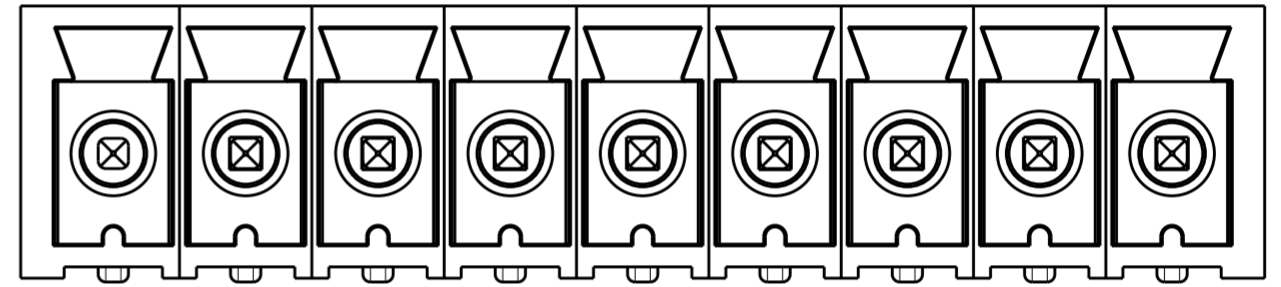
6 POLES: 2213932-6



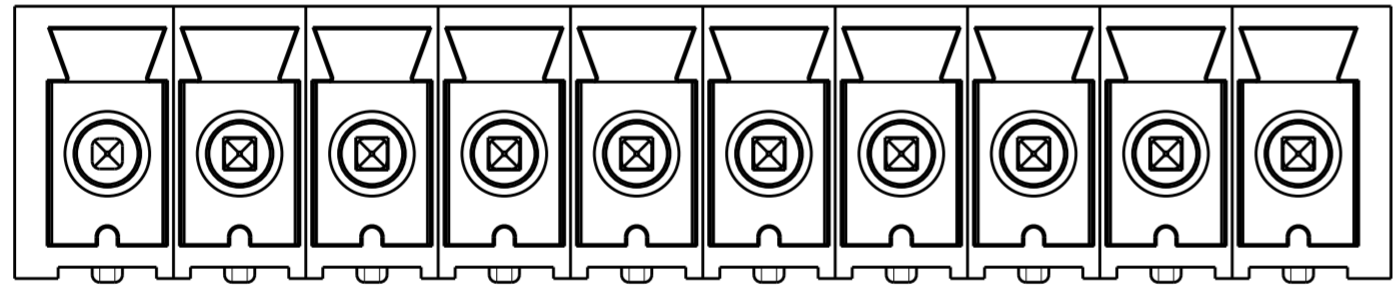
7 POLES: 2213932-7



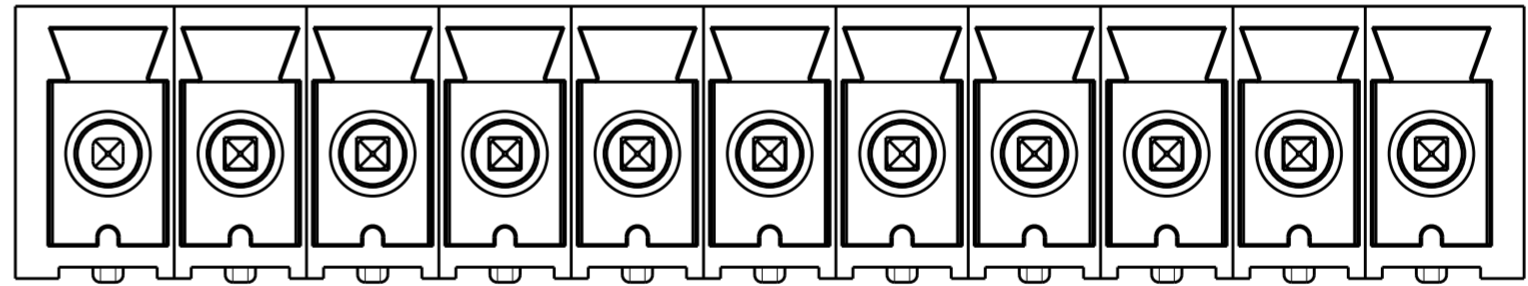
8 POLES: 2213932-8



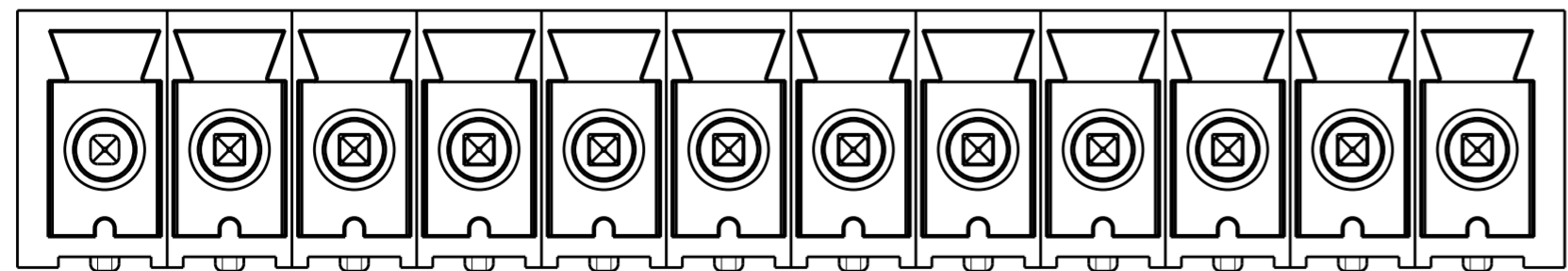
9 POLES: 2213932-9




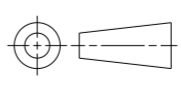
10 POLES: 1-2213932-0



11 POLES: 1-2213932-1



12 POLES: 1-2213932-2

THIS DRAWING IS A CONTROLLED DOCUMENT.		DWN RAVLS 08SEP2016	 TE Connectivity	
DIMENSIONS:		CHK M.LUKSIC 08SEP2016		
TOLERANCES UNLESS OTHERWISE SPECIFIED:		APVD M.LUKSIC 08SEP2016	NAME TERMINAL BLOCK HEADER, SMT, HORIZONTAL, 3.5MM PITCH	
mm		PRODUCT SPEC	SIZE A2	
		APPLICATION SPEC	CAGE CODE -	
MATERIAL		WEIGHT	DRAWING NO C-2213932	
-		CUSTOMER DRAWING	RESTRICTED TO -	
-		SCALE 5:1	SHEET 2 OF 2	
				REV A1

X-ON Electronics

Largest Supplier of Electrical and Electronic Components

Click to view similar products for [Pluggable Terminal Blocks](#) category:

Click to view products by [TE Connectivity](#) manufacturer:

Other Similar products are found below :

[57.510.0053](#) [MC 1.5/ 6-ST-3.5 GY AU](#) [ET02015000J0G](#) [734-104](#) [734-302](#) [8-141-P](#) [8426620000](#) [860505](#) [860516](#) [860810](#) [GBPACX-12](#)
[93.731.4953.0](#) [PV05-5,08-K](#) [PVP03-3,50](#) [PVP04-3,50](#) [PVS02-5,00](#) [1-1986160-3](#) [1377680000](#) [1531000000](#) [1546228-5](#) [ELFH16150](#)
[ELFP03110](#) [ELFP10210](#) [ELFT06250](#) [ELVP03100](#) [1700101](#) [1700410](#) [1700425](#) [1702246](#) [1705229](#) [1710175](#) [1714537](#) [1717806](#) [1719600](#)
[1728941](#) [1734692](#) [1734795](#) [1736036](#) [1740194](#) [1740628](#) [1740990](#) [1746952](#) [1750207](#) [1752441](#) [1752865](#) [1754115](#) [1754144](#) [1756913](#)
[1760051](#) [1760336](#)