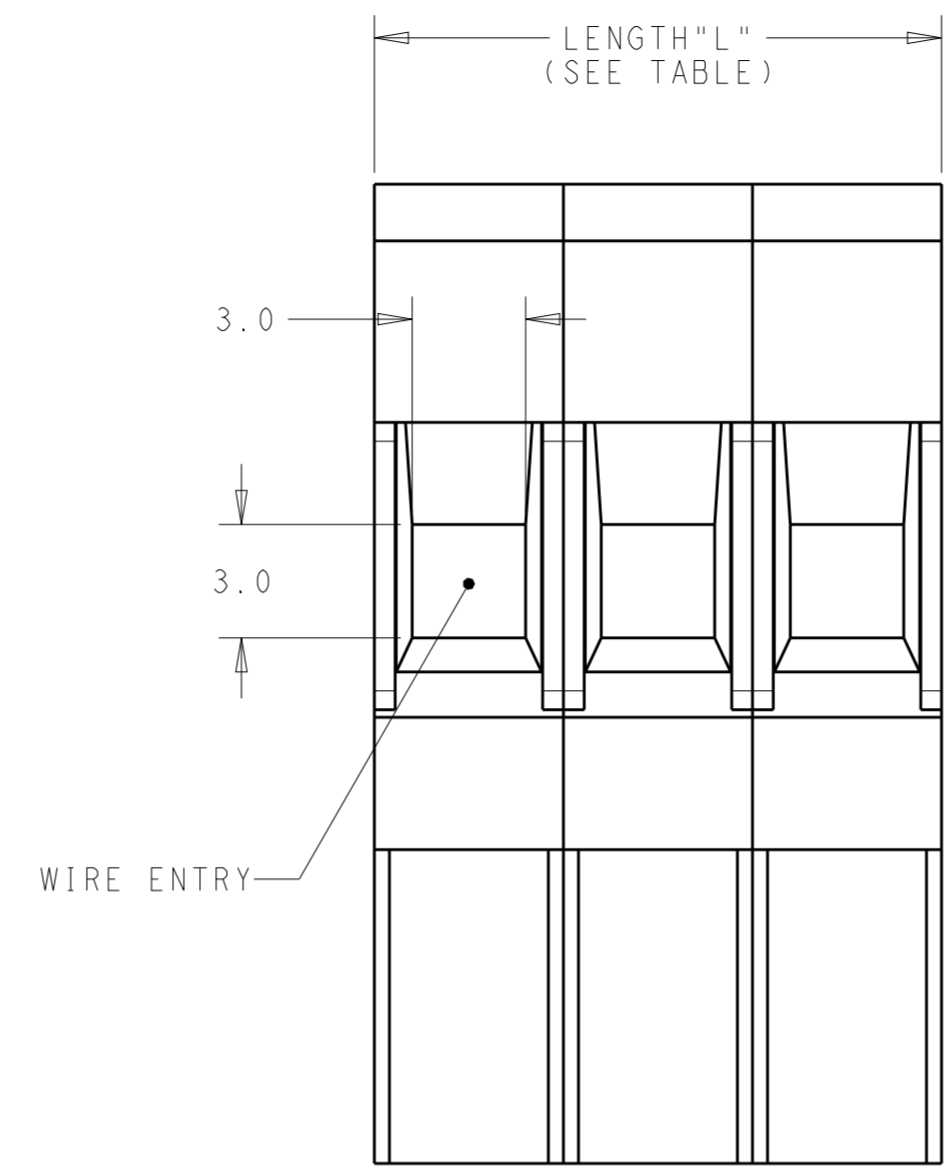
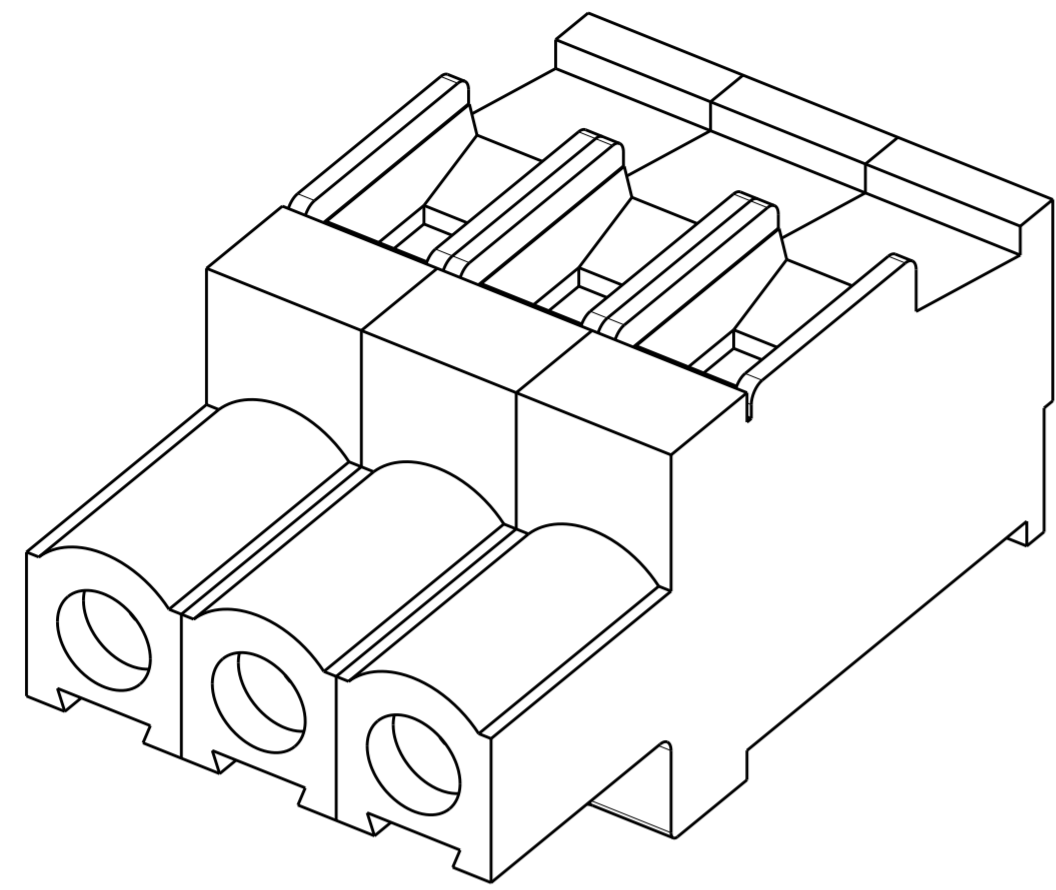
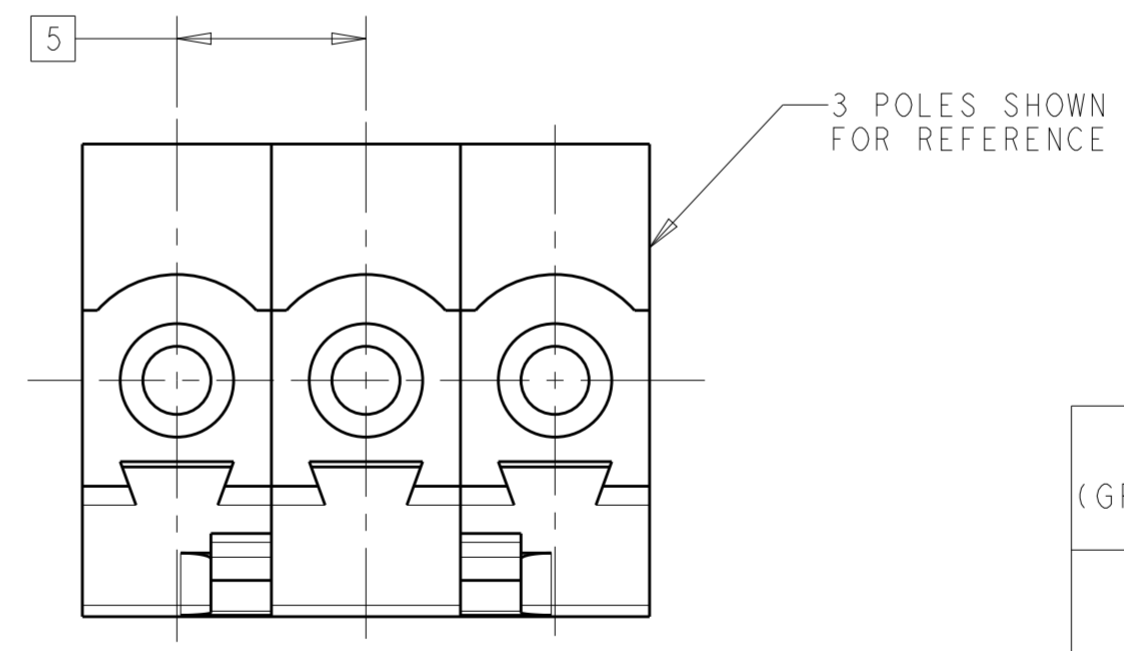
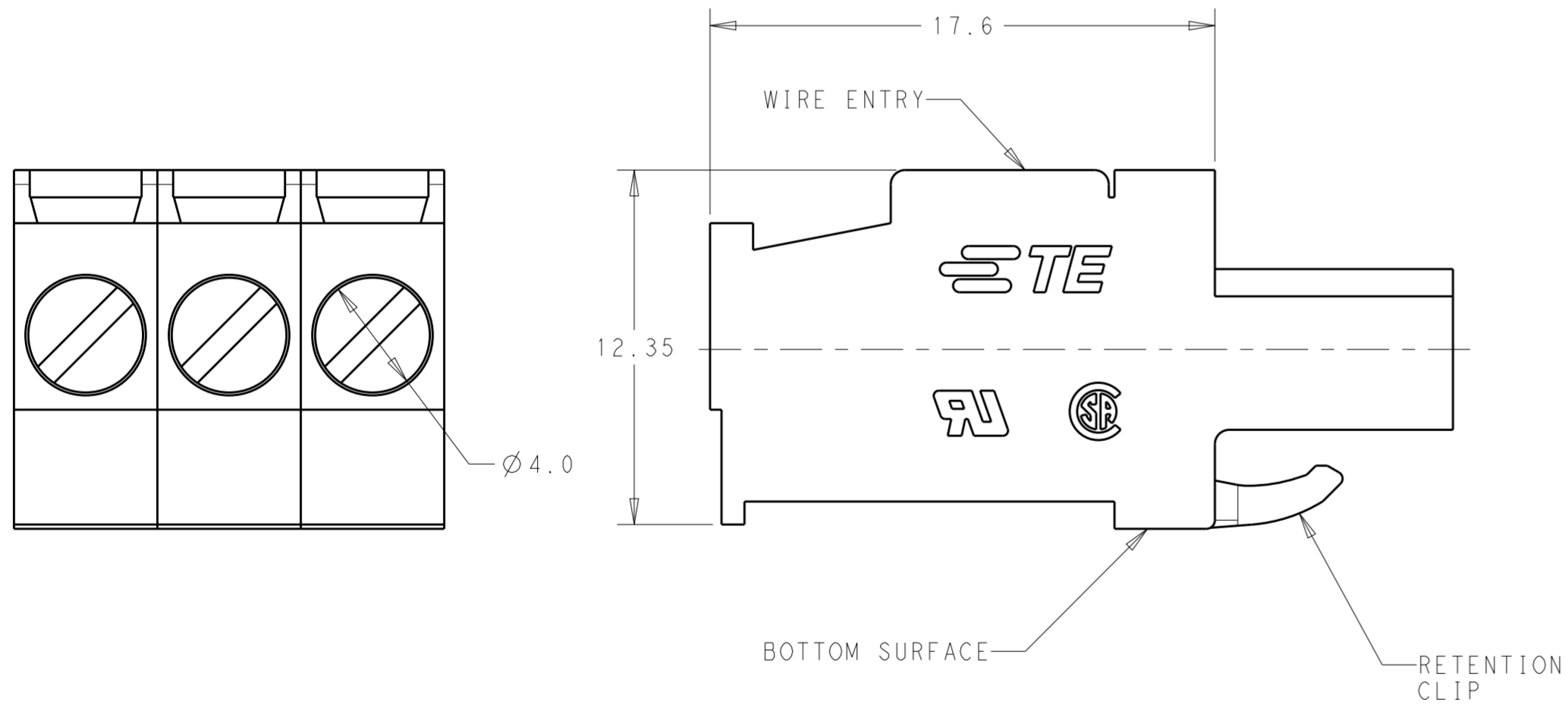


THIS DRAWING IS UNPUBLISHED. RELEASED FOR PUBLICATION
 © COPYRIGHT copyright.d8te- ALL RIGHTS RESERVED.

REVISIONS				
P	LTR	DESCRIPTION	DATE	DWN APVD
A		NEW DRAWING	10SEP2016	RS ML
A1		REVISED PER ECR-16-016988	04JAN2017	RK PO



- HOUSING MATERIAL: THERMOPLASTIC, FLAME-RETARDANT PER UL 94 V-0
COLOR = BLACK
- CONTACT MATERIAL: COPPER ALLOY WITH STEEL WIRE CLAMP
- RETENTION CLIP LOCATED ADJACENT TO BOTTOM SURFACE AS SHOWN.
- WIRE SIZE: 26-12 AWG
- SCREW TIGHTENING TORQUE: 0.5 N·m
- △ PRODUCT CERTIFICATIONS:
UL, CSA: 300V (SEE TABLE FOR RATED CURRENT)
- HAZARDOUS SUBSTANCE COMPLIANCE: RoHS, REACH
- MATES WITH 2305908 SERIES



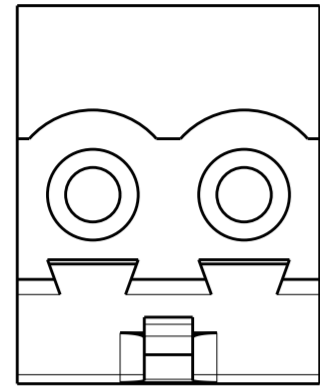
RATED CURRENT	LENGTH "L" (mm)	NO. OF POLES	TE PART NO.
10A (GROUP D&E)	60.0	12	1-2213934-2
	55.0	11	1-2213934-1
	50.0	10	1-2213934-0
15A (GROUP B)	45.0	9	2213934-9
	40.0	8	2213934-8
	35.0	7	2213934-7
	30.0	6	2213934-6
	25.0	5	2213934-5
	20.0	4	2213934-4
	15.0	3	2213934-3
	10.0	2	2213934-2

THIS DRAWING IS A CONTROLLED DOCUMENT.

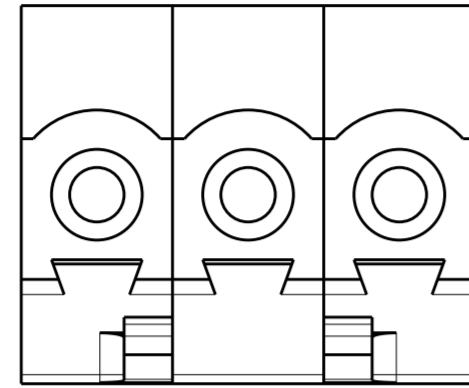
DIMENSIONS: mm	TOLERANCES UNLESS OTHERWISE SPECIFIED:	DWN: RAVI.S 10SEP2016	TE Connectivity
	0 PLC ±	CHK: LUKSIC MAREK 10SEP2016	
	1 PLC ±0.2	APVD: LUKSIC MAREK 10SEP2016	
	2 PLC ±0.13	PRODUCT SPEC: -	
	3 PLC ±	APPLICATION SPEC: -	NAME: SOCKET TERMINAL BLOCK, PERPENDICULAR, 5.0MM PITCH, BOTTOM RETENTION
	4 PLC ±	WEIGHT: -	SIZE: A2 CAGE CODE: - DRAWING NO: C-2213934 RESTRICTED TO: -
MATERIAL: SEE NOTES	FINISH: -	CUSTOMER DRAWING	SCALE: 5:1 SHEET 1 OF 2 REV: A1

THIS DRAWING IS UNPUBLISHED. RELEASED FOR PUBLICATION
 © COPYRIGHT copyright.d8te- ALL RIGHTS RESERVED.

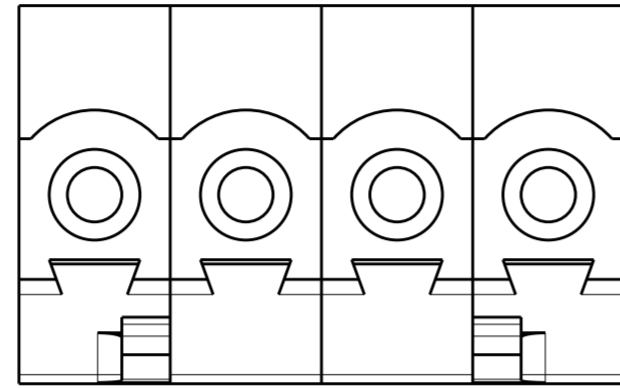
REVISIONS				
P	LTR	DESCRIPTION	DATE	APVD
-		SEE SHEET 1	-	-



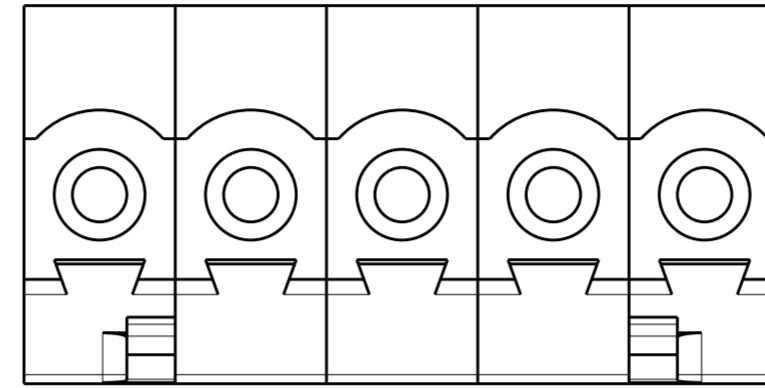
2 POLES: 2213934-2



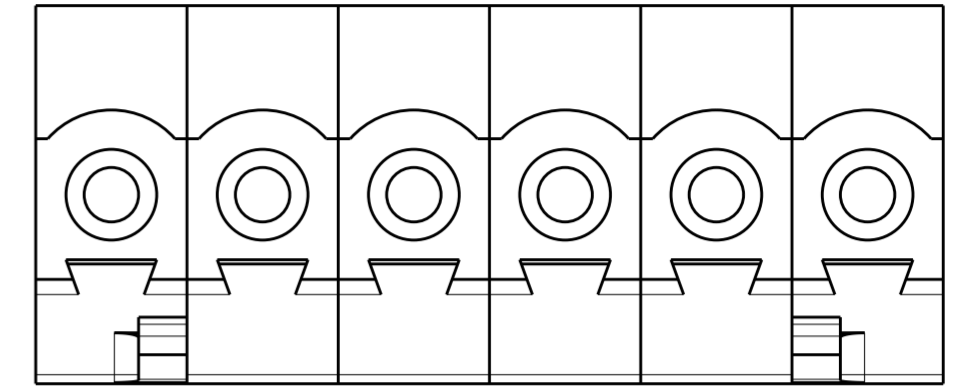
3 POLES: 2213934-3



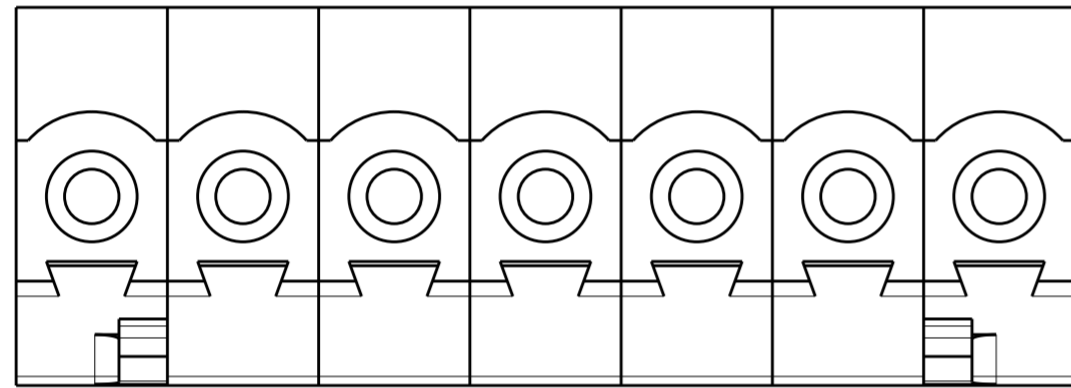
4 POLES: 2213934-4



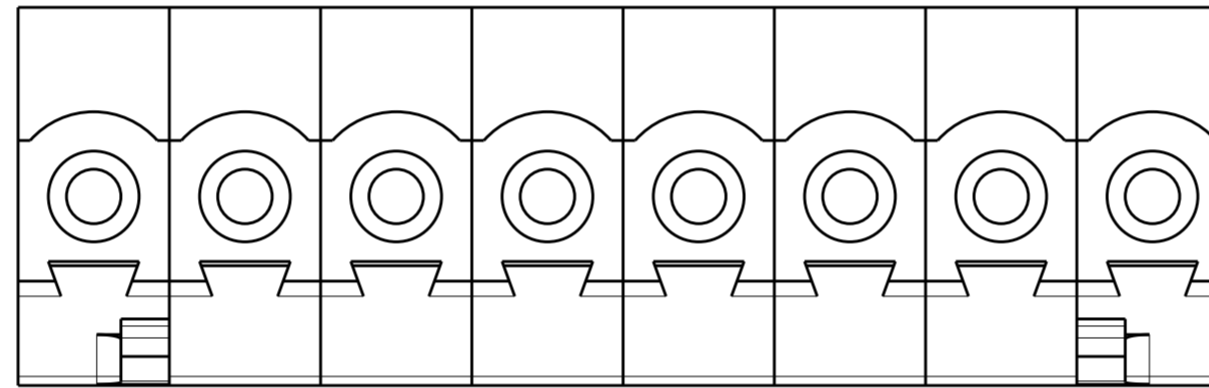
5 POLES: 2213934-5



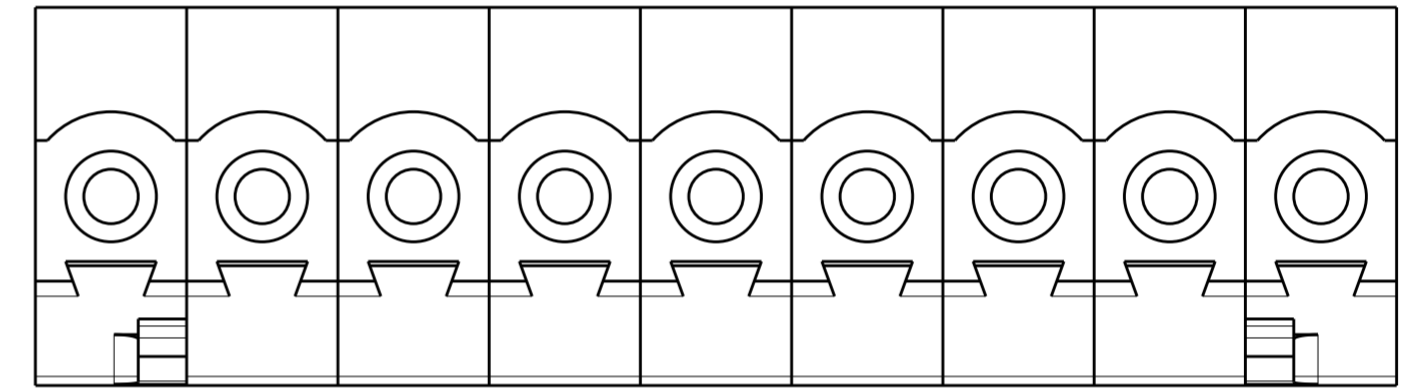
6 POLES: 2213934-6



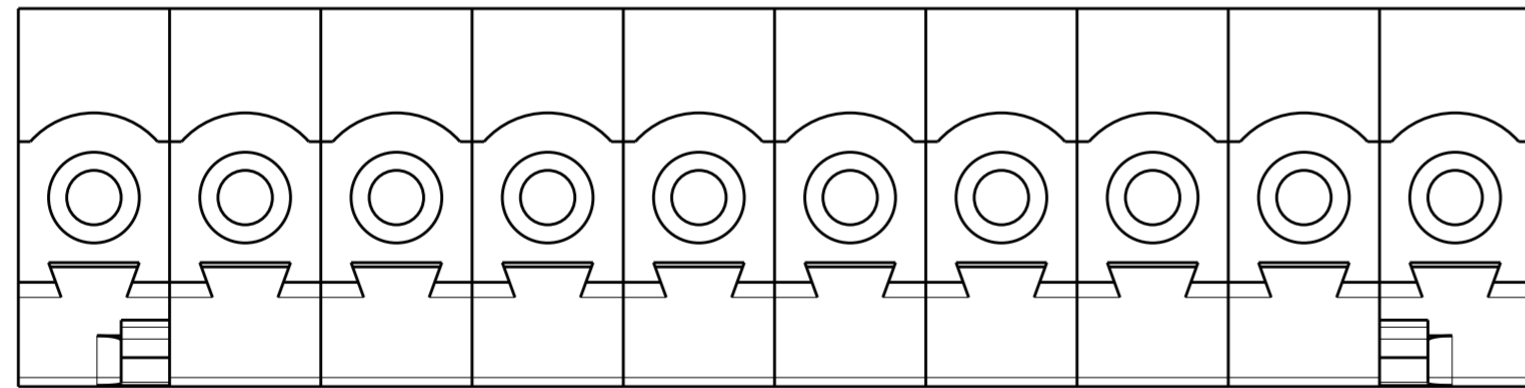
7 POLES: 2213934-7



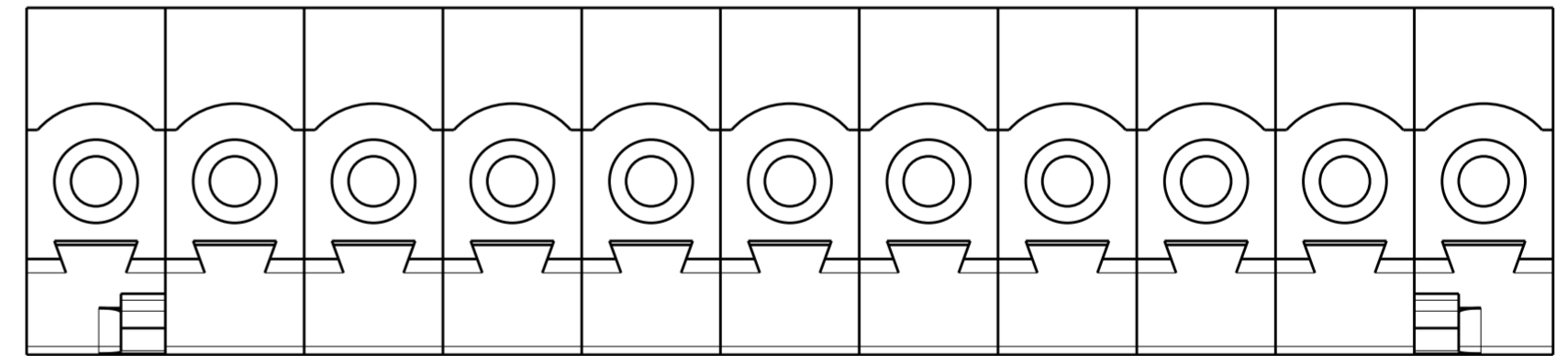
8 POLES: 2213934-8



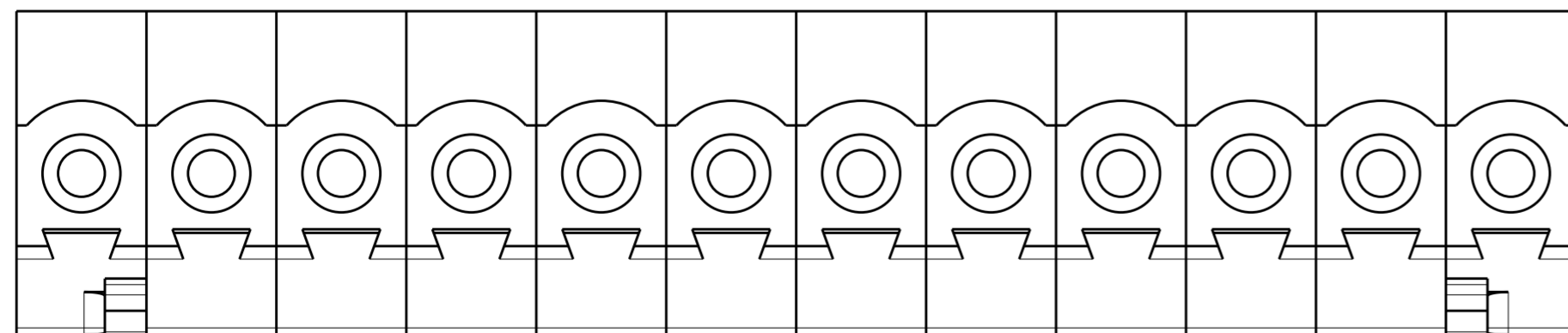
9 POLES: 2213934-9




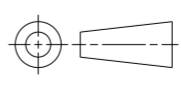
10 POLES: 1-2213934-0



11 POLES: 1-2213934-1



12 POLES: 1-2213934-2

THIS DRAWING IS A CONTROLLED DOCUMENT.		DWN RAVLS 10SEP2016	 TE Connectivity		
DIMENSIONS: mm		CHK LUKSIC MAREK 10SEP2016			
		APVD LUKSIC MAREK 10SEP2016	NAME SOCKET TERMINAL BLOCK, PERPENDICULAR, 5.0MM PITCH, BOTTOM RETENTION		
TOLERANCES UNLESS OTHERWISE SPECIFIED: 0 PLC ± 1 PLC ±0.2 2 PLC ±0.13 3 PLC ± 4 PLC ± ANGLES ± FINISH		PRODUCT SPEC -	SIZE A2	CAGE CODE -	DRAWING NO. C-2213934
MATERIAL -		APPLICATION SPEC -	WEIGHT -	RESTRICTED TO -	SCALE 5:1
		CUSTOMER DRAWING	SHEET 2	OF 2	REV A1

X-ON Electronics

Largest Supplier of Electrical and Electronic Components

Click to view similar products for [Pluggable Terminal Blocks](#) category:

Click to view products by [TE Connectivity](#) manufacturer:

Other Similar products are found below :

[57.404.7553](#) [57.504.0053.7](#) [57.510.0053](#) [57.910.6153](#) [01.112.1453](#) [CTB932VE/6](#) [MC 1.5/ 6-ST-3.5 GY AU](#) [ET02015000J0G](#) [734-104](#) [734-302](#) [734-304](#) [8-141-P](#) [FKCT 2.5/ 3-ST KMGY](#) [860505](#) [860508](#) [860516](#) [860810](#) [861908](#) [GBPACX-12](#) [93.731.4953.0](#) [PV05-5,08-K](#) [PVP02-5,00](#) [PVP04-3,50](#) [PVS02-5,00](#) [1-1986160-3](#) [H-10](#) [1546228-5](#) [ELFP03110](#) [ELVP03100](#) [ELXH03100](#) [ELXP041G0](#) [ELXT046G0](#) [1700101](#) [1700410](#) [1703243](#) [1703634](#) [1705229](#) [1710175](#) [1714537](#) [1717806](#) [1719600](#) [1728941](#) [1729386](#) [1734692](#) [1734795](#) [1736036](#) [1740194](#) [1740291](#) [1740628](#) [1740990](#)