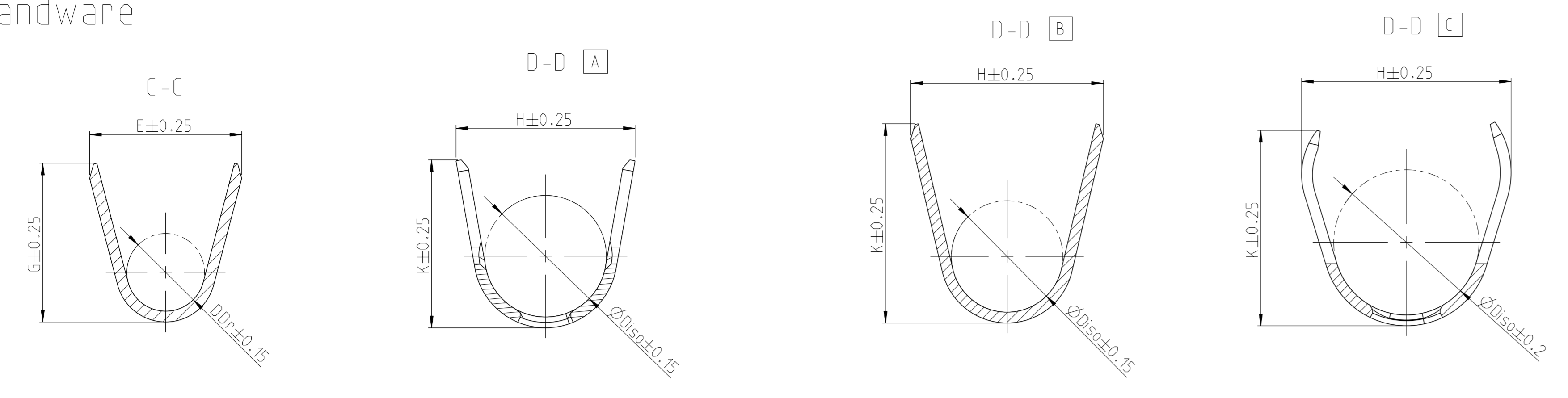


STRIP FORM Bandware

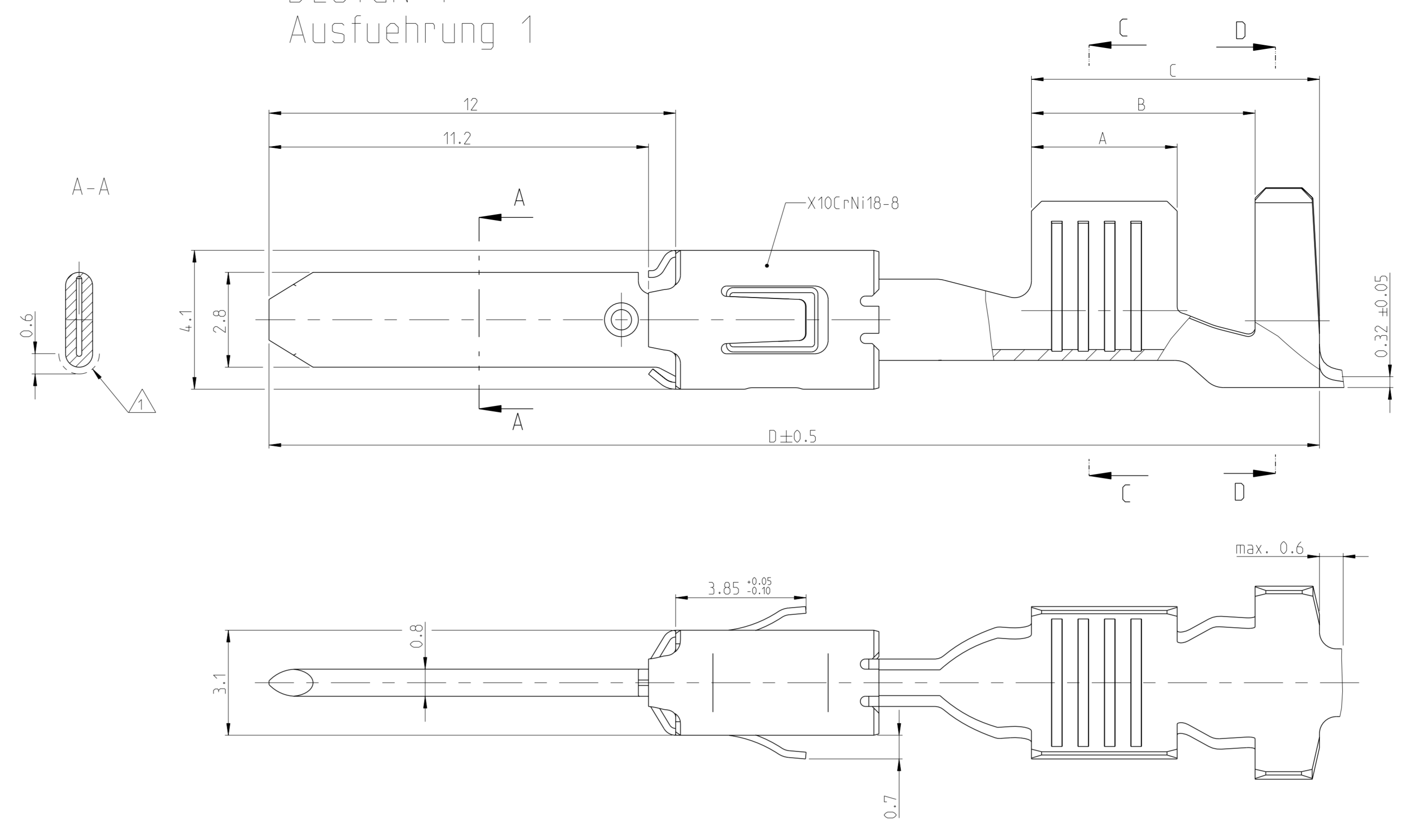


NOTES Bemerkungen

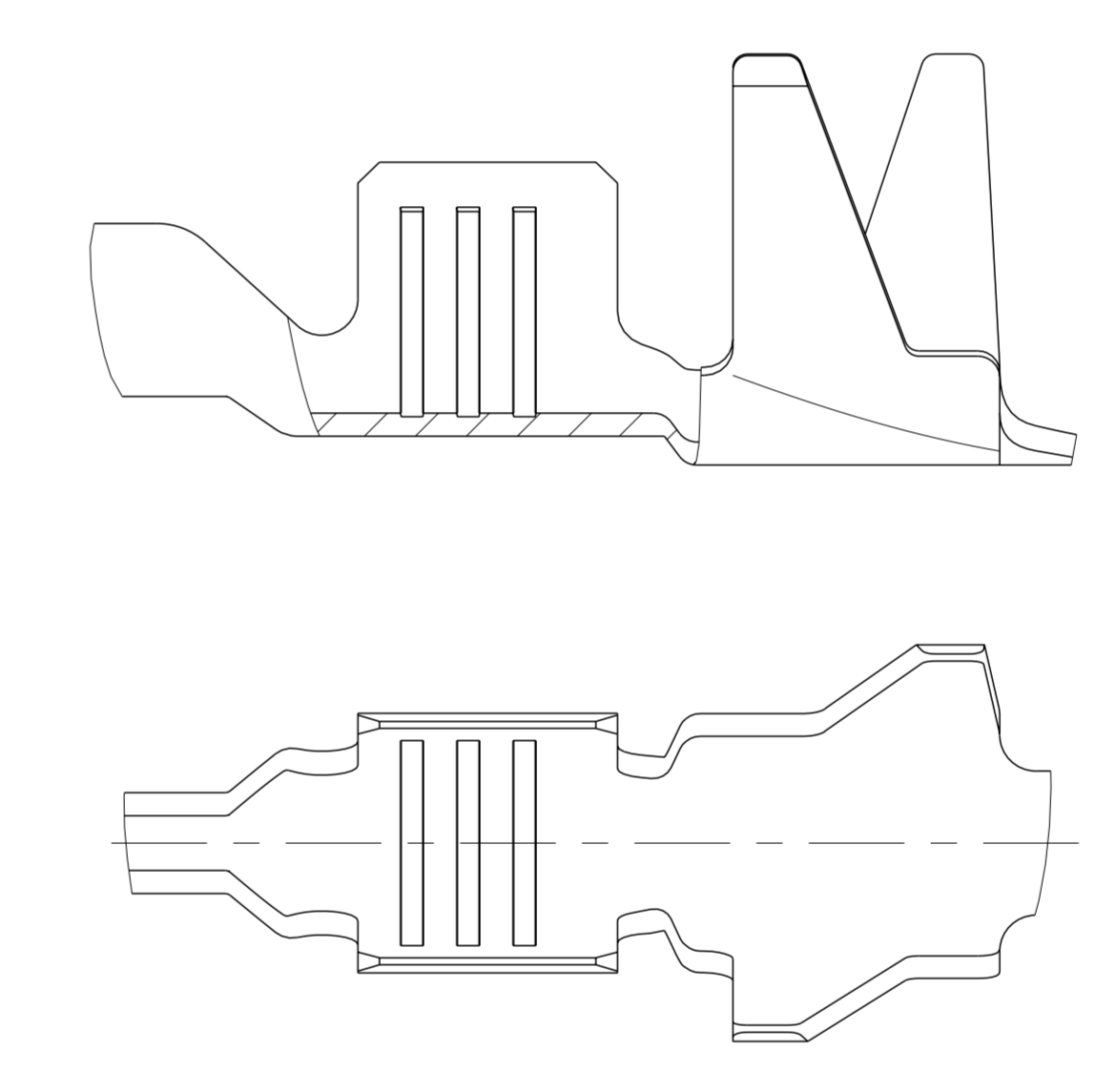
- 1 IN THIS AREA CRACK SHAPING AT THE SURFACE PERMISSIBLE
In diesem Bereich Rissbildung in der Oberflaeche zulaessig
- 2 "Ag+" MARKING ON SILVER PLATED VERSIONS FOR INCREASED LIMIT TEMPERATURE
"Ag+" Markierung auf versilberter Variante fuer erhoehrte Grenztemperatur
- 3 LENGTHENED TAB FOR APPLICATIONS WITH HVA 280 HOUSINGS
Verlaengerter Flachstecker fuer Anwendungen mit HVA 280 Gehaeusen

VERSION	TE ORDER-NO.	REV.	DESIGN	MATERIAL	SURFACE	INSULATION	WIRE RANGE	STRIP FORM	INSUL. CRIMP	A	B	C	D	TE ORDER-NO.
Ausfuhrung	STRIPFORM	Bandware	Ausfuhrung	Werkstoff	Oberflaeche im Kontaktbereich	IsolationsØ	Drahtbereich	WIRE CRIMP Drahtring	Isolationscrimp Bandware	CRIMP DIMENSIONS mm Crimpabmessung mm				Einzel dichtungssystem (Kammerdurchmesser)
	2-2328752-4	A	4	CuFe	SILVER PLATED versilbert	max. 3.7	>2.5 - 4.0	E = 4.5 G = 4.7 D _{Dr} = 2.3	H = 6.2 K = 6.0 D _{ISO} = 4.3	4.3	6.9	8.5	31	828985 (Ø6,4)
	2-2328752-2	A			SILVER PLATED versilbert									
	2-2328745-4	A	3	CuFe	SILVER PLATED versilbert	max. 3.0	>1.0 - 2.5	E = 3.6 G = 3.8 D _{Dr} = 1.7	H = 5.3 K = 5.0 D _{ISO} = 3.6	3.5	6.0	7.6	29.3	828905 (Ø5,0)
	2-2328745-2	A			SILVER PLATED versilbert									
	2-2141600-4	A	1	CuFe	SILVER PLATED versilbert	2.7 - 3.7	>2.5 - 4.0	E = 4.5 G = 4.7 D _{Dr} = 2.3	H = 5.7 K = 5.9 D _{ISO} = 3.3	4.3	6.6	8.5	31	
	2-2141600-2	A			SILVER PLATED versilbert									
	2-2141598-4	A	2	CuFe	SILVER PLATED versilbert	2.4 - 3.7	>1.0 - 2.5	E = 3.6 G = 3.8 D _{Dr} = 1.7	H = 5.5 K = 5.7 D _{ISO} = 3.2	3.6	5.2	8.9	31.1	
	2-2141598-2	A			SILVER PLATED versilbert									

DESIGN 1 Ausfuhrung 1

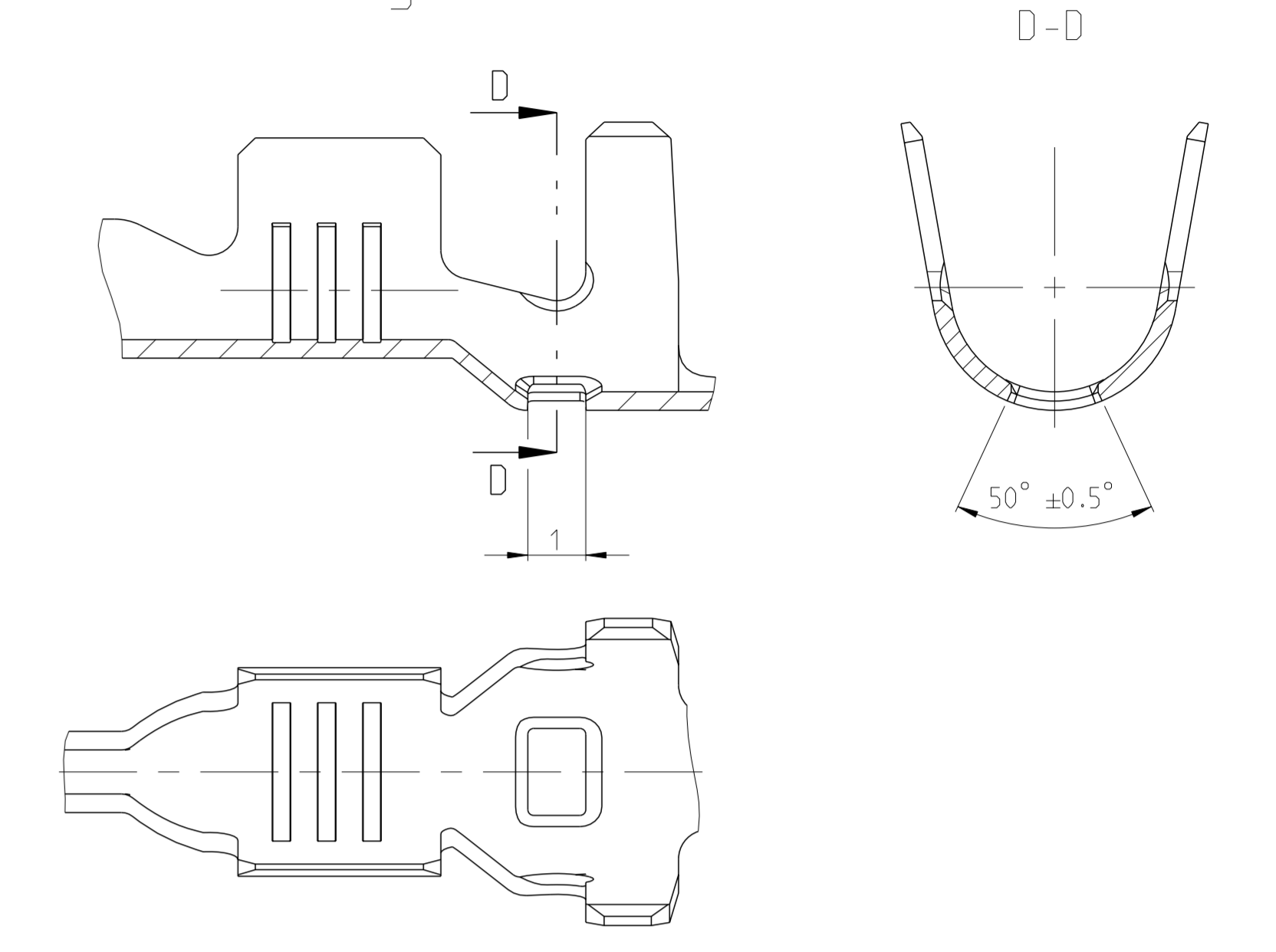


DESIGN 2 Ausfuhrung 2

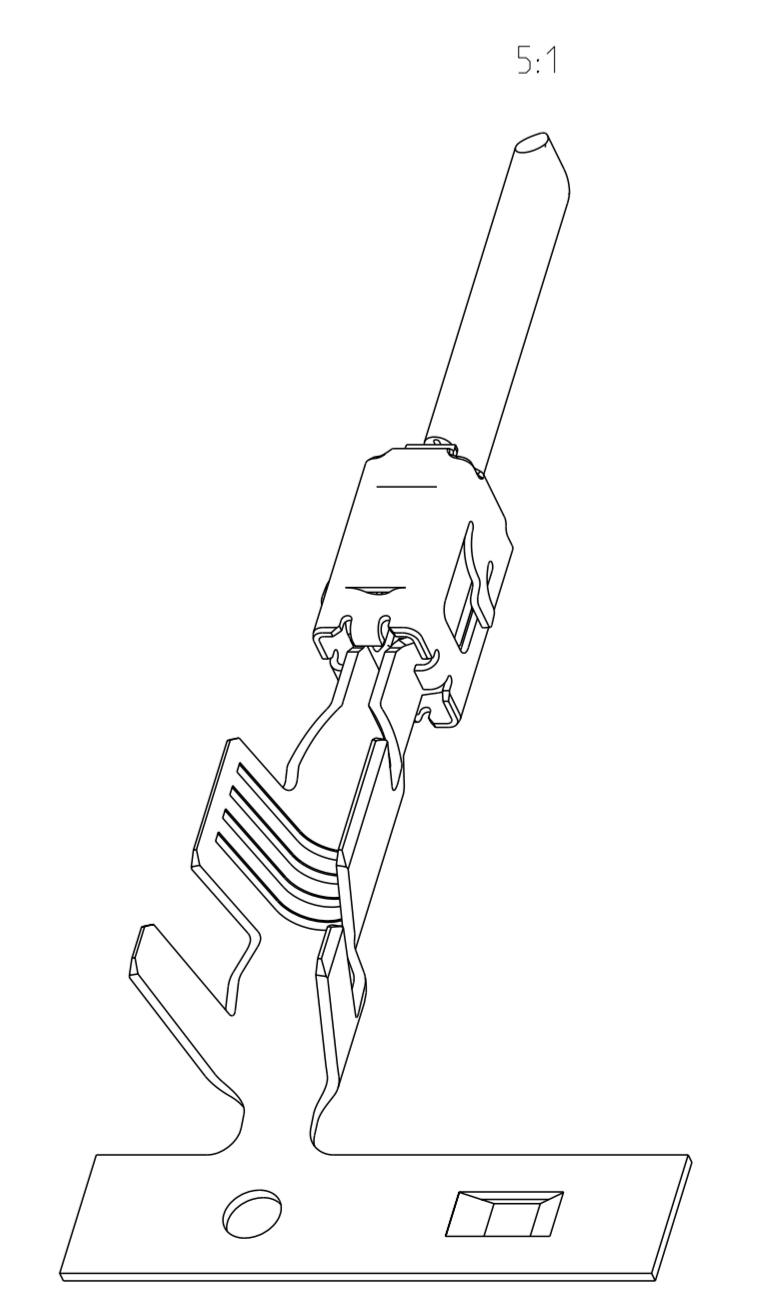
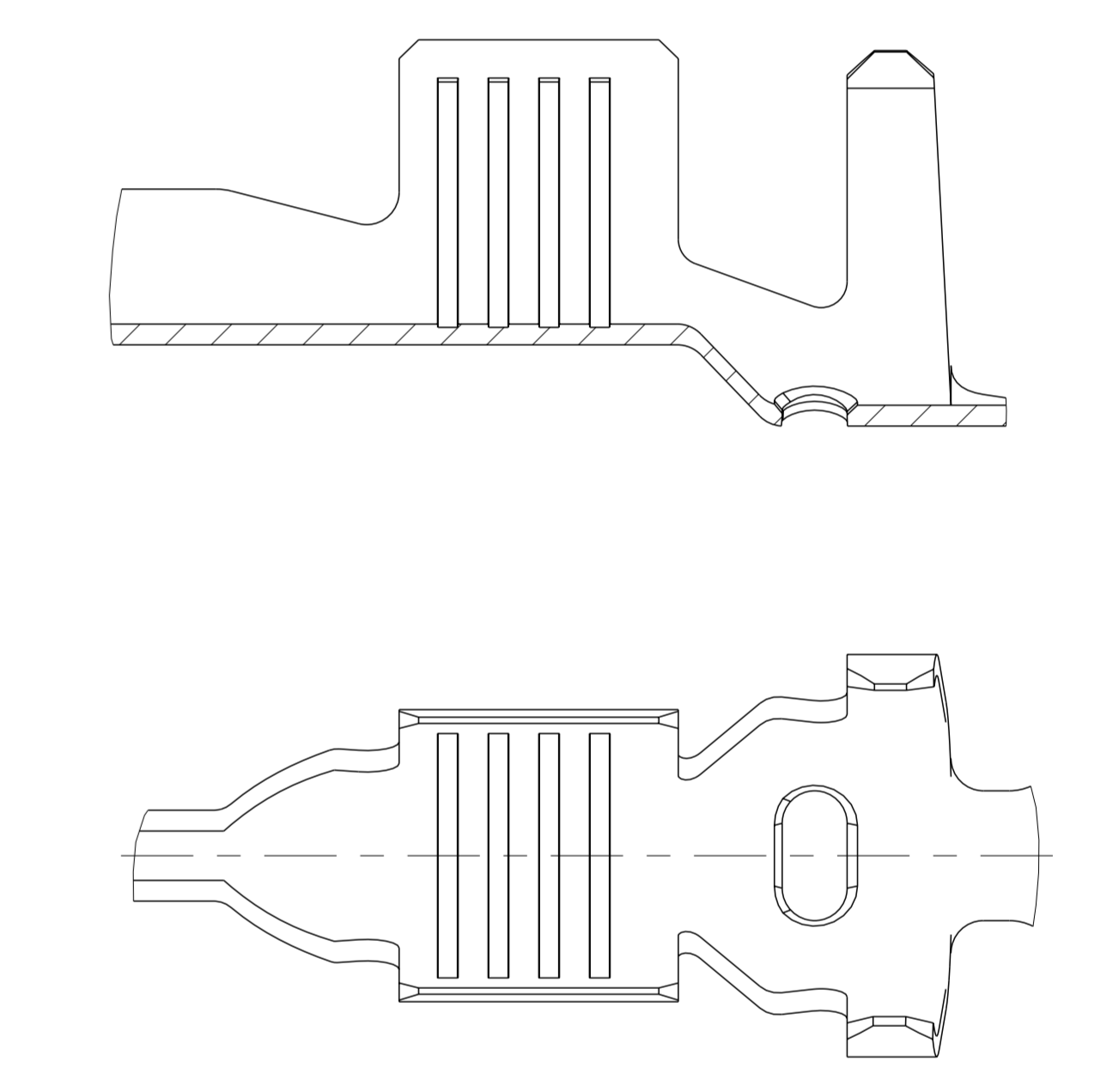


SINGLE WIRE SEAL Einzel dichtungssystem

DESIGN 3 Ausfuhrung 3



DESIGN 4 Ausfuhrung 4



THIS DRAWING IS A CONTROLLED DOCUMENT.		REV. 01APR2019	DATE 01APR2019	BY Frank	TE Connectivity
DIMENSIONS: mm		CH. Metz	08APR2019	BY Metz	TE Connectivity
TOLERANCES UNLESS OTHERWISE SPECIFIED:		MM. Brumme	08APR2019	BY Brumme	TE Connectivity
Ø	±0.2	PRODUCT SPEC			
PLC	±0.2	108-18063			
PLC	±0.2	APPLICATION SPEC			
PLC	±0.2	114-18051			
FINISH	st	WEIGHT			
MATERIAL		SIZE CASE CODE DRAWING NO		RESTRICTED TO	
		A0 00779 ©=2355029		-	
CUSTOMER DRAWING		SCALE 10:1		SHEET 1 of 1 REV. A	

X-ON Electronics

Largest Supplier of Electrical and Electronic Components

Click to view similar products for [Automotive Connectors](#) category:

Click to view products by [TE Connectivity](#) manufacturer:

Other Similar products are found below :

[003-018-000](#) [60403001](#) [60993906-B](#) [M902-2131](#) [M902-2161](#) [M902-2344](#) [72.330.1035.1](#) [73.353.4028.0](#) [F119300-B](#) [F166900](#) [F258300-B](#)
[F358300-B](#) [F407400](#) [F444110](#) [F487000](#) [F509500B-B](#) [827153-1](#) [8N1515-32-24P](#) [9-1326729-8](#) [925474-1](#) [928905-1](#) [964562-4](#) [968782-1](#)
[GT17SA-8DS-HU](#) [98891-1012](#) [98947-1016](#) [12004147](#) [12004475-L](#) [12010290](#) [12010309-B](#) [12015454](#) [12020219-B](#) [12041318-B](#) [12052225-](#)
[L](#) [12052466](#) [12064869](#) [12004327-B](#) [12015308](#) [12015384](#) [12015909](#) [1-21030-1](#) [12041254](#) [12041318](#) [12047946-B](#) [12047957](#) [12047957-L](#)
[12059473](#) [12066261](#) [12110546](#) [12110546-B](#)