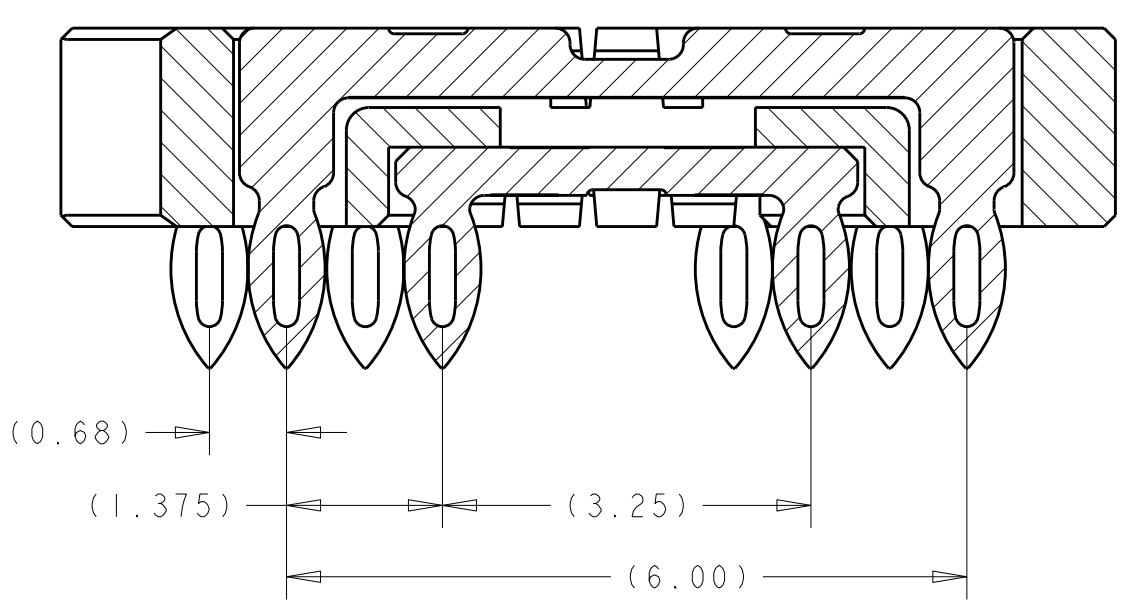
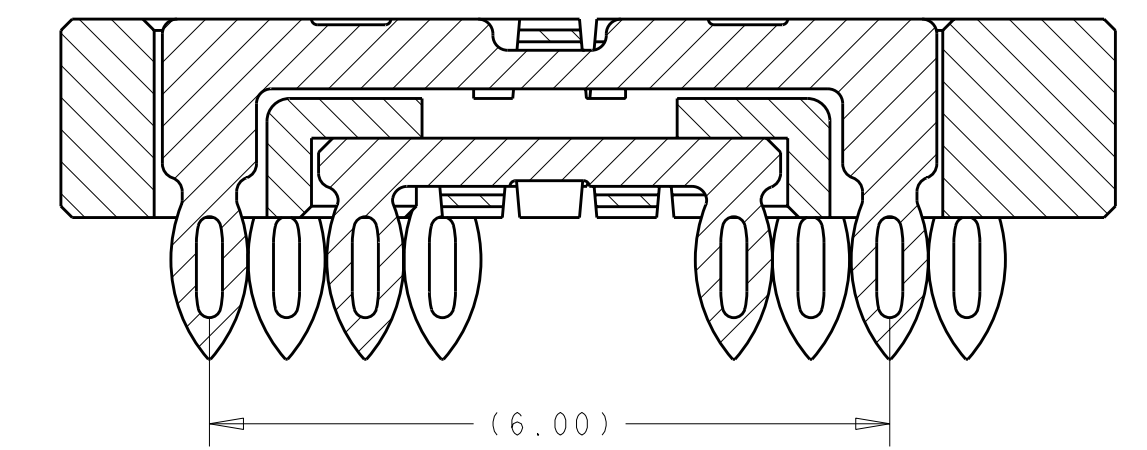
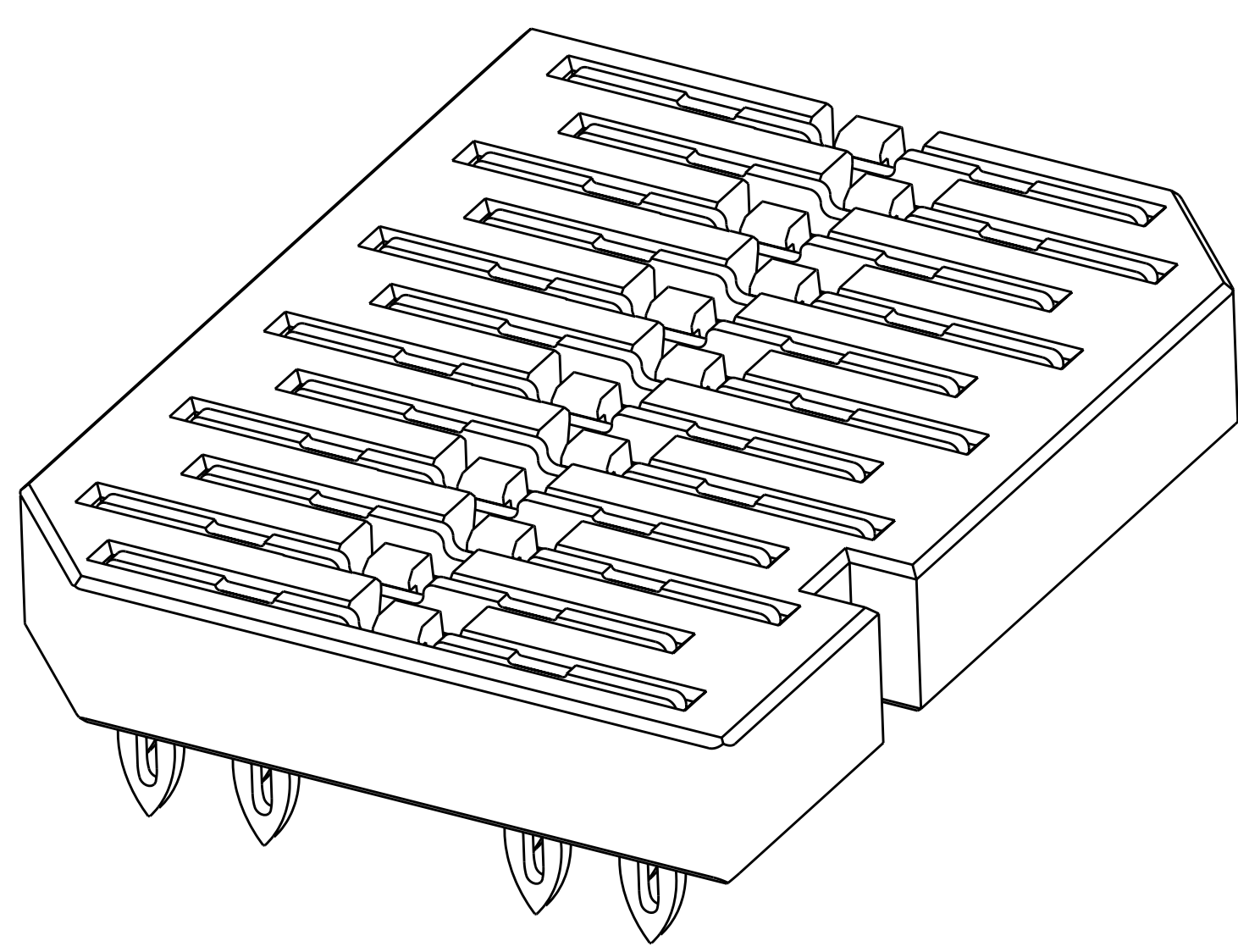


LOC	DIST	REV	DATE	BY	APPD
		1	25MAR2010	DRR	MS
		2	31MAR2010	DRR	MS

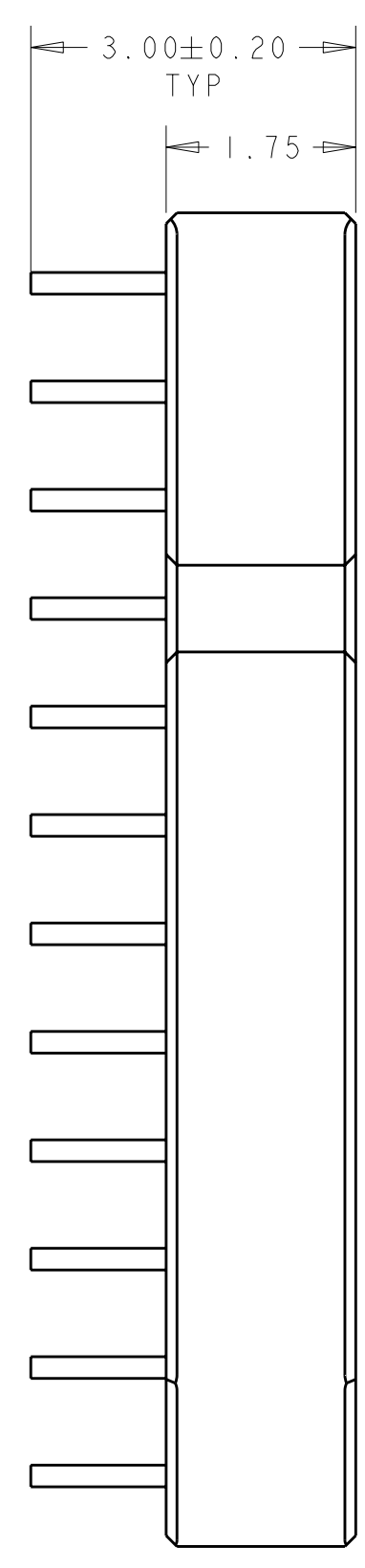
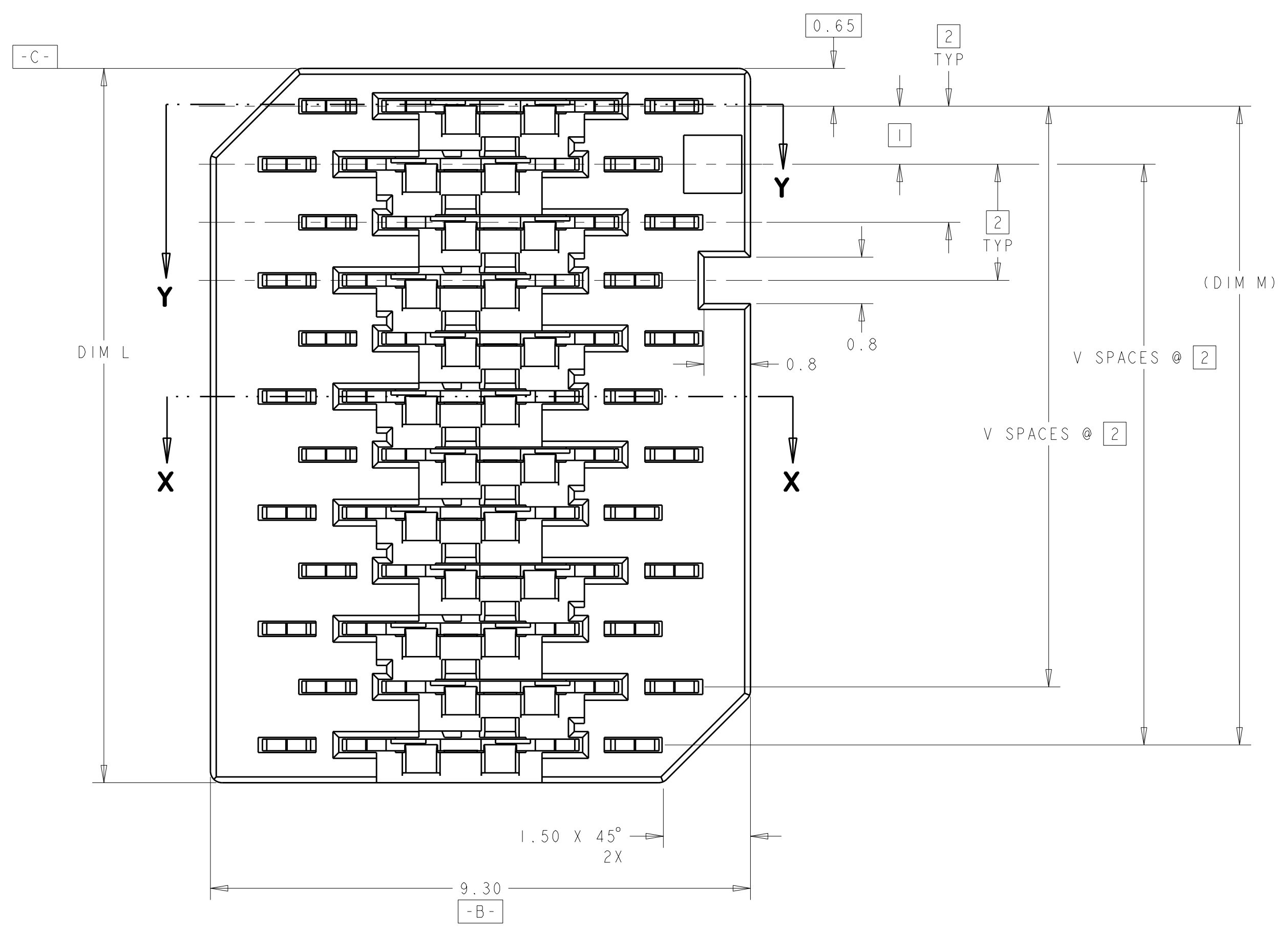


SECTION Y-Y



SECTION X-X

- 1 MATERIAL:
CONTACT - PHOS. BRONZE
HOUSING - THERMO PLASTIC
- 2 FINISH: CONTACT
COMPLIANT PIN AREA - 0.5 - 2.5µm MATTE TIN OVER 1.27µm MIN NICKEL ALL OVER.
- 3 REGISTRATION HOLE TO PIN CLEARANCE: 0.00 - 0.10 mm
- 4 SEATING TOLERANCE (0-0.1mm)
- 5 PACKAGE: TUBES
- 6 IMMERSION TIN:
FINISHED HOLE = $\varnothing 0.574 \pm 0.05$
DRILLED HOLE = $\varnothing 0.65 \pm 0.02$
COPPER PLATING = 0.038 ± 0.013
FINISH PLATING = 0.00051 ± 0.00013
- IMMERSION SILVER:
FINISHED HOLE = $\varnothing 0.574 \pm 0.05$
DRILLED HOLE = $\varnothing 0.65 \pm 0.02$
COPPER PLATING = 0.038 ± 0.013
FINISH PLATING = 0.00025 ± 0.00005

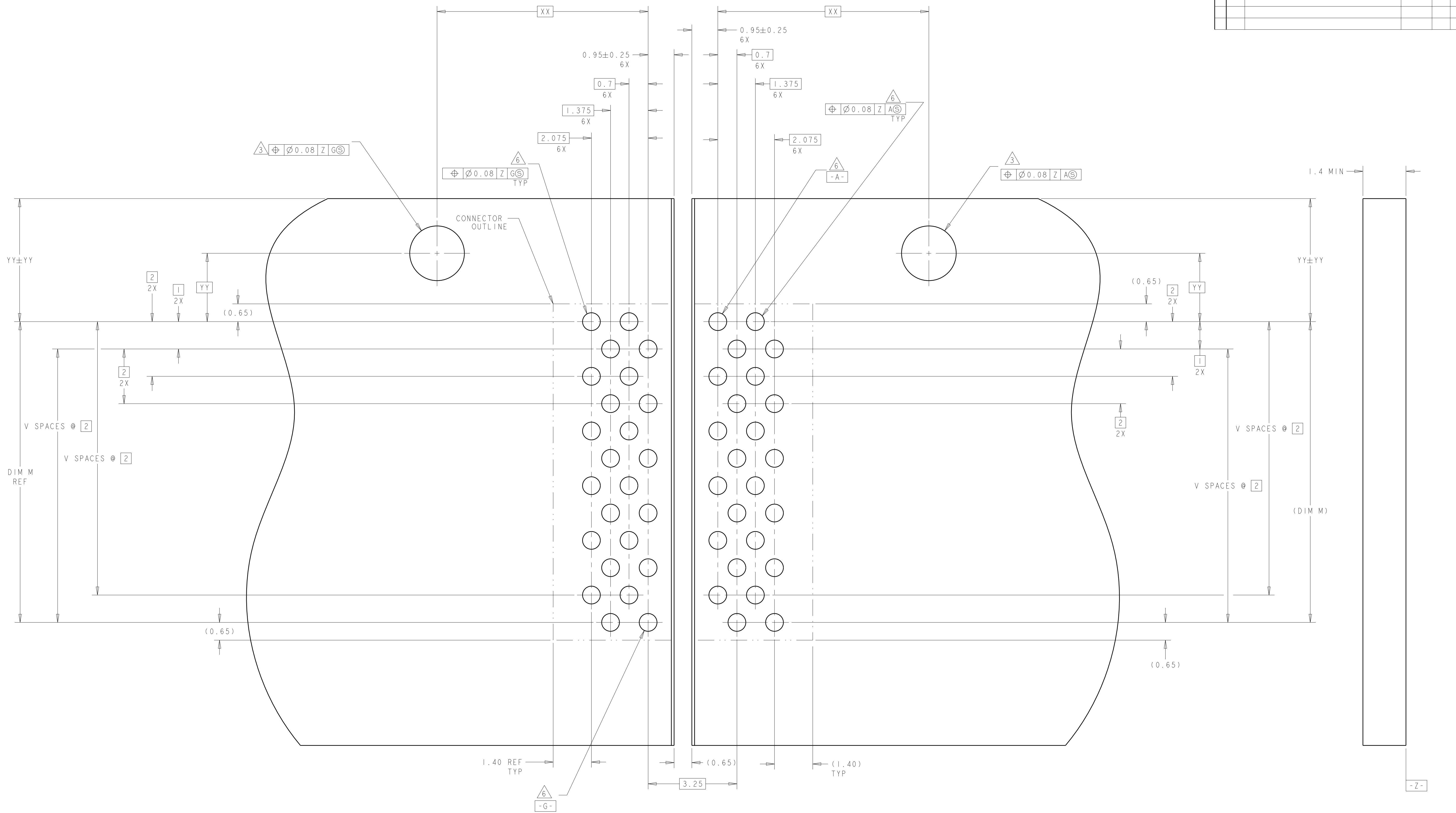


THIS PRINT IS
PRELIMINARY
 UNQUALIFIED PRODUCT
 CONTACT PRODUCT ENGINEERING
 BEFORE USING THIS PRINT

12.30	11	5	24	2-2143362-4
10.30	9	4	20	2-2143362-0
DIM L	DIM M	V - SPACES	POSITIONS	PART NUMBER

DIMENSIONS: mm 		TOLERANCES UNLESS OTHERWISE SPECIFIED: 9 PLC ± 1 PLC ± 0.10 5 PLC ± 0.100 4 PLC ± ANGLES ±2°		DWN: D. RINGLER 25MAR2010 CHK: M. SYEBOIT 25MAR2010 APVD: J. REDDER 25MAR2010		Tyco Electronics Harrisburg, PA 17105-3608	
MATERIAL:		FINISH:		PRODUCT SPEC: 108-2421 APPLICATION SPEC: 114-13273		SIZE: A 00779 C=2143362 SCALE: 15:1 SHEET 1 OF 2 REV 2	
CUSTOMER DRAWING				RESTRICTED TO			

LOC	DIST	REV	DATE	BY	APPD
-	-	1	SEE SHEET 1	-	-



RECOMMENDED PC BOARD
 LAYOUT BACKPLANE,
 COMPONENT SIDE SHOWN
 SCALE 15:1

THIS PRINT IS
PRELIMINARY
 UNQUALIFIED PRODUCT
 CONTACT PRODUCT ENGINEERING
 BEFORE USING THIS PRINT

DIMENSIONS:		TOLERANCES UNLESS OTHERWISE SPECIFIED:		DWN		Tyco Electronics	
mm	0 PLC ±	1 PLC ±0.10	2 PLC ±0.100	3 PLC ±	0 RINGLER 25MAR2010	25MAR2010	Tyco Electronics
	4 PLC ±	5 PLC ±	ANGLES ±2°	FINISH	CHK M. SYPOLT	APVD J. FEDDER	Harrisburg, PA 17105-3608
MATERIAL					NAME	PRODUCT SPEC	
					108-2421	APPLICATION SPEC	
					114-13273	WEIGHT	
					CUSTOMER DRAWING	SCALE 15:1	SHEET 2 OF 2 REV 2

X-ON Electronics

Largest Supplier of Electrical and Electronic Components

Click to view similar products for te connectivity manufacturer:

Other Similar products are found below :

[570416-000](#) [CLTEQ-M81CE-SSRELAY-4-20V](#) [D38999/24FJ4AN](#) [358838-000](#) [4-1195131-0](#) [650069-000](#) [SMD100-2](#) [CB-1022B-78](#)
[RM707012](#) [RP410012](#) [MMS42](#) [1-640426-8](#) [2EDL4CM](#) [DTS20W19-11PD-3028-LC](#) [RM202615](#) [NC6-P104-06](#) [TXR64AB90-3616AI](#)
[MSPS103B](#) [DTS26F21-41AE](#) [DTS26F21-41PE-LC](#) [DTS26F21-11SE-3028-LC](#) [1932144-1](#) [293545-4](#) [LVR125S](#) [MS27466T25F4PB](#) [CKB-](#)
[38-78010](#) [1206SFF150F/63-2](#) [5-2027513-8](#) [D38999/20JB35HA](#) [D38999/24WJ20PA](#) [1754138-1](#) [TE1500A2R2J](#) [DTS24F25-29PC-3028-LC](#)
[164-8033-08](#) [D38999/24WG11HA](#) [D38999/24WG11HN](#) [MS27467T21F11H](#) [DJT16E21-11HA](#) [1206SFH150F/24-2](#) [1-532955-3](#) [DTS24F19-](#)
[11SC-3028-LC](#) [DTS24F21-41HN-LC](#) [DTS24F21-41AN](#) [DTS24F21-41PN-LC](#) [DBAS 70-7-0 SN 090-1A SCC](#) [MS27467T21F35J](#)
[MS27467T21F11J](#) [MS27467T21F16H-LC](#) [MS27467T21F35H](#) [MS27467T21F41H-LC](#)