

THIS DRAWING IS UNPUBLISHED.

RELEASED FOR PUBLICATION

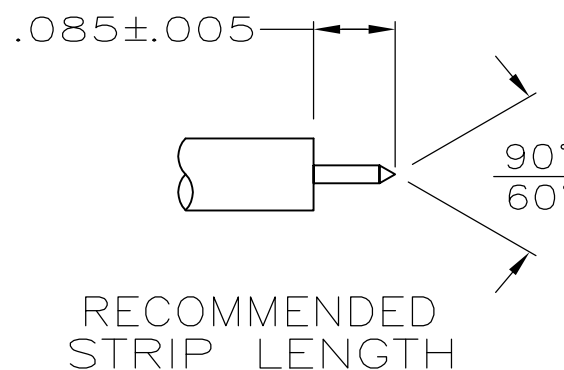
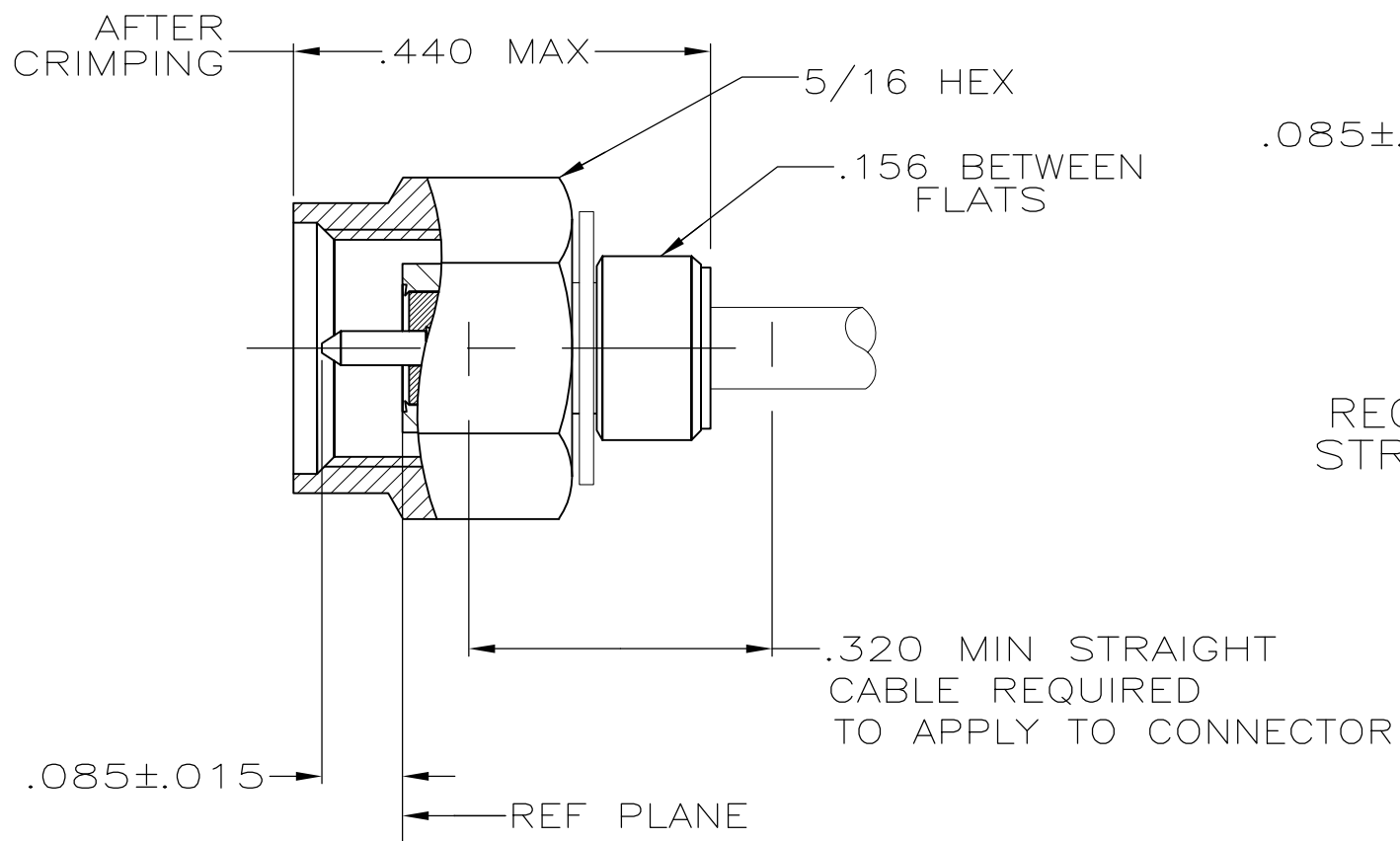
© COPYRIGHT - By -

ALL RIGHTS RESERVED.

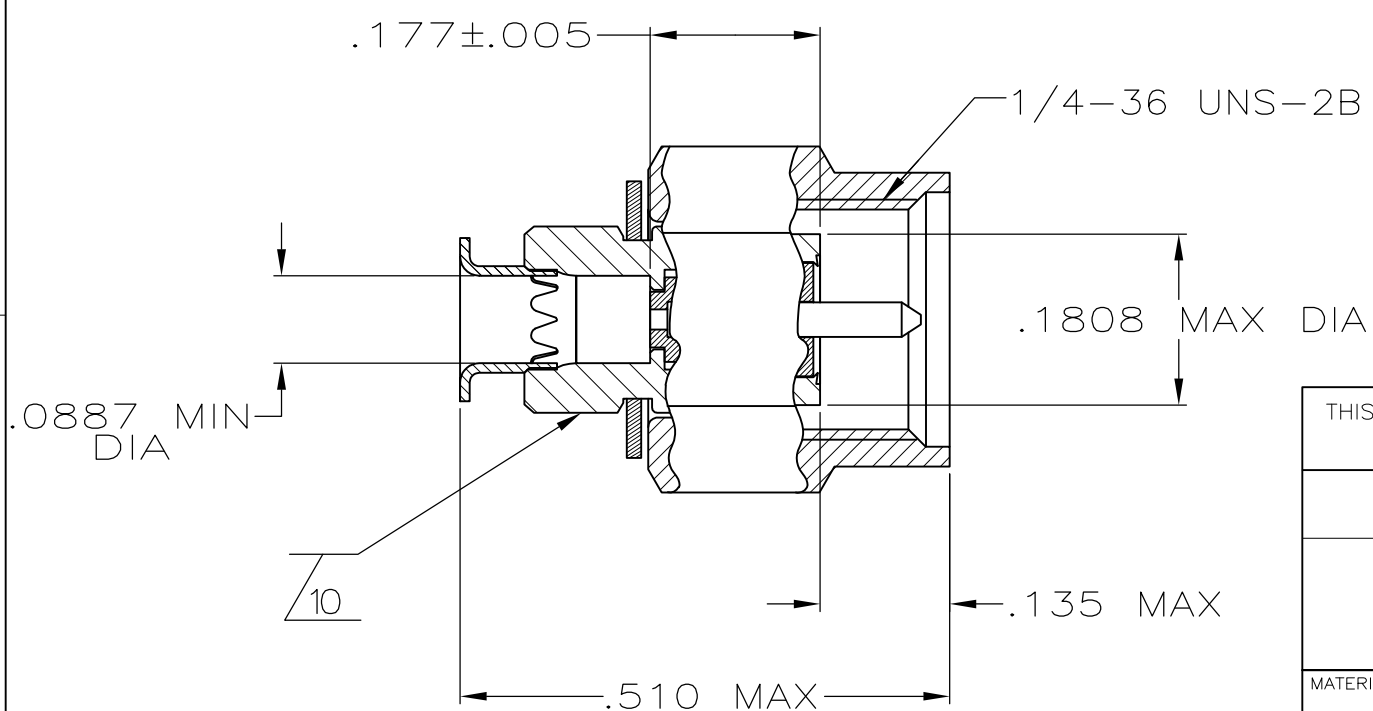
LOC
AJ 16

REVISIONS

P	LTR	DESCRIPTION	DATE	DWN	APVD
	C1	REVISED PER ECO-11-005030	11MAR11	RK	HMR



1. FOR USE WITH: RG-405/U, .086 SEMI RIGID CABLE
2. PNEUMATIC TOOL: 59964-1
CRIMPING TOOL: 59980-1
3. SEE I.S. 2924
4. STAINLESS STEEL PER ASTM-A-582
5. BERYLLIUM COPPER PER ASTM-B-197
6. SILICONE RUBBER PER ZZ-R-765
7. PTFE PER ASTM D1710
8. BRASS PER ASTM-B-36
9. GOLD PER MIL-G-45204
10. PASSIVATION PER ASTM A967
11. NICKEL PL PER QQ-N-290
12. PRODUCT IS DESIGNED TO MEET PRODUCT SPECIFICATION 108-12055
13. AF8627286-2 AMP



221447-1
PART NO

THIS DRAWING IS A CONTROLLED DOCUMENT.		DWN C.BAKER	2-15-89	STE TE Connectivity	
DIMENSIONS: INCHES		CHK L.MOSCOSO	4-10-89		
TOLERANCES UNLESS OTHERWISE SPECIFIED:		APVD R.HENRY	4-10-89	NAMD-89	
0 PLC ± -		PRODUCT SPEC		CONNECTOR, COAXIAL, RF, PLUG, SERIES SMA	
1 PLC ± -		APPLICATION SPEC		SIZE	CAGE CODE
2 PLC ± -				A3	00779
3 PLC ± -				DRAWING NO	RESTRICTED TO
4 PLC ± -				C-221447-1	
ANGLES ± -		WEIGHT		SCALE	SHEET
MATERIAL 4 THRU 8		CUSTOMER DRAWING		5:1	1 OF 1
FINISH 9 THRU 11				REV	C1

X-ON Electronics

Largest Supplier of Electrical and Electronic Components

Click to view similar products for [RF Connectors / Coaxial Connectors](#) category:

Click to view products by [TE Connectivity](#) manufacturer:

Other Similar products are found below :

[8915-1511-000](#) [89674-0827](#) [6001-7071-019](#) [6002-7051-003](#) [6002-7551-202](#) [6059674-1](#) [619550-1](#) [630059-000](#) [M39030/3-01N](#) [6500-7071-046](#) [6769](#) [CX050L2AQ](#) [7002-1541-010](#) [7002-1542-011](#) [7004-1512-000](#) [7009-1511-004](#) [7010-1511-000](#) [7029-1511-060](#) [7101-1541-010](#) [7101-1571-002](#) [7105-1521-002](#) [7145-1521-002](#) [7203-1571-003](#) [7209-1511-011](#) [7210-1511-015](#) [7210-1511-019](#) [73137-5015](#) [73216-2241](#) [73404-2300](#) [7405-1521-005](#) [7405-1521-802](#) [8527](#) [8547](#) [FS11V](#) [877931](#) [9049-9513-000](#) [9074-9513-000](#) [9101-9573-002](#) [910A205F](#) [9130-9573-002](#) [PL11SC-026](#) [PL375-33](#) [PL40-5](#) [PL74C-221](#) [PL75MC-217](#) [PL803-7](#) [1200690078](#) [1-201144-1](#) [R107003010W](#) [R110A172100](#)