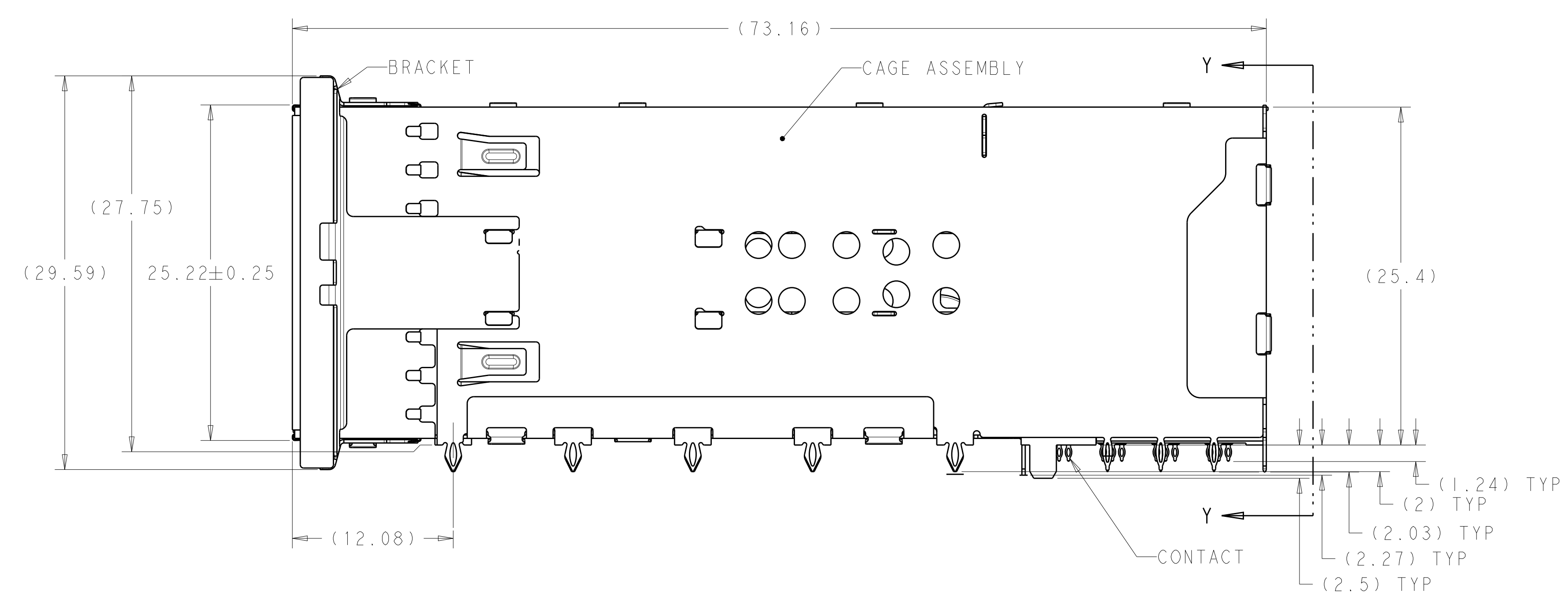
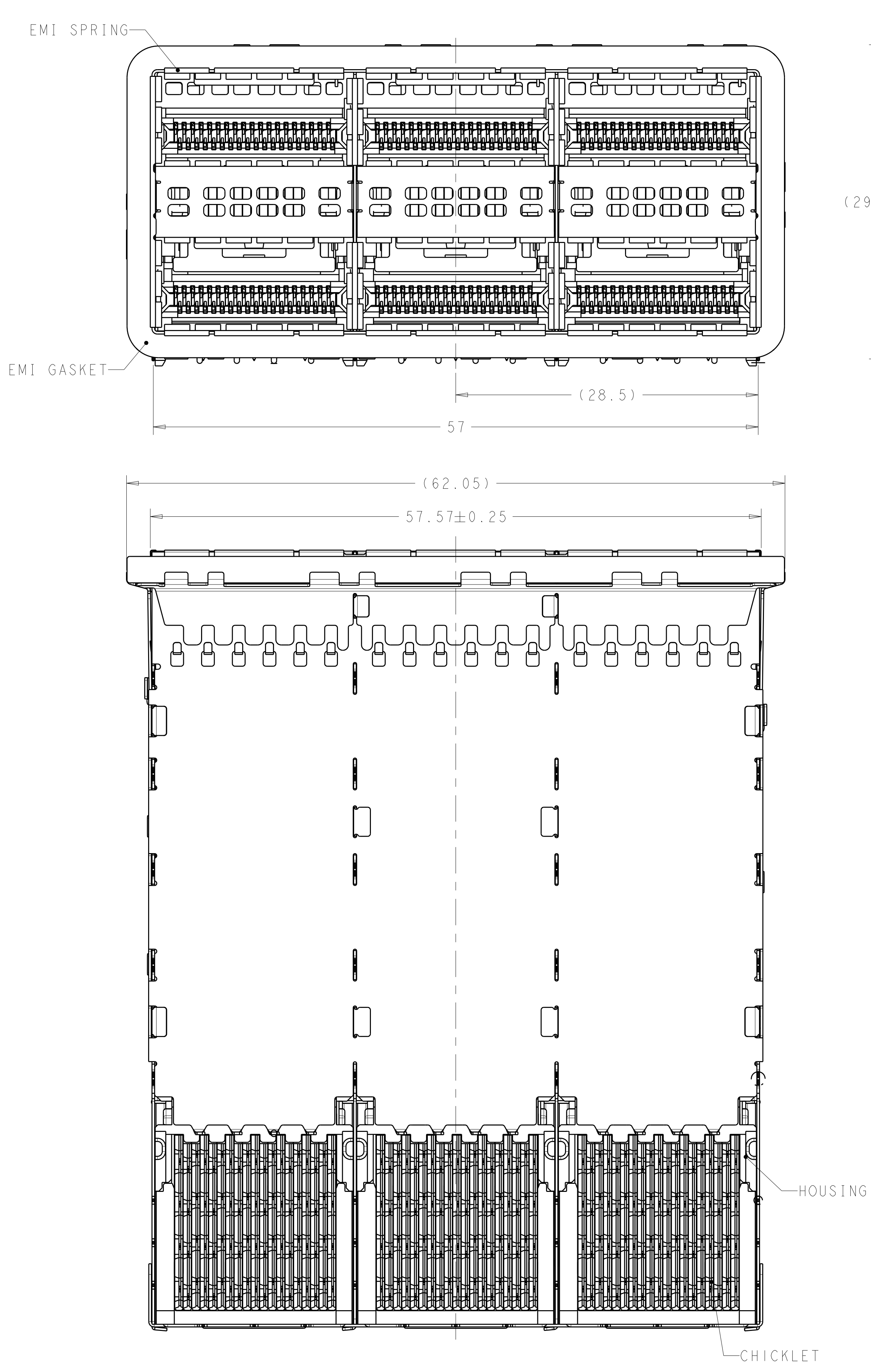


LOC	DIST	REVISIONS			
P	LTN	DESCRIPTION	DATE	DWN	APVD
A		RELEASED FOR PRODUCTION	01MAR2016	TX	SH



1. MATERIALS:
 CAGE ASSEMBLY- NICKEL SILVER ALLOY PER ASTM B 122.
 BRACKET- NICKEL SILVER ALLOY PER ASTM B 122.
 EMI SPRING- COPPER ALLOY, NICKEL PLATED.
 EMI GASKET- PLATED FILLED SILICONE.
 HOUSING- POLYESTER LCP WITH 94 V-0.
 CHICKLET- POLYESTER LCP WITH 94 V-0.
 CONTACT- COPPER ALLOY.
 LIGHTPIPE- POLYCARBONATE WITH 94 V-0.
2. CONTACT FINISH: 0.76µm GOLD ON MATING END, 1.25µm TIN ON SOLDER TAIL, ALL OVER 1.27µm NICKEL.
3. DATUM AND BASIC DIMENSION ESTABLISHED BY CUSTOMER.
4. MINIMUM PCB THICKNESS OF 1.57.
5. THE ENTIRE AREA OF THE CONNECTOR FOOTPRINT, INDICATED BY THE DASHED LINE, TO BE CONSIDERED THE KEEPOUT AREA FOR COMPONENTS.
6. CROSS-HATCHED AREAS REPRESENT ZONES ON THE PCB THAT COME IN CONTACT WITH OR BE IN CLOSE PROXIMITY TO THE PLASTIC HOUSING OR THE CONNECTOR CAGE. INDICATED AREAS TO BE CONSIDERED TRACE FREE.
7. PART NUMBER AND DATE CODE MARKED IN APPROXIMATE AREA SHOWN.
8. HATCHED AREA IS PLACEMENT ZONE FOR LED. LED SHOULD BE CENTERED WITHIN ZONE. RECOMMEND 0805 PACKAGE.
9. CONTACT FINISH: 0.08µm MINIMUM GOLD OVER 0.68µm PALLADIUM-NICKEL ON MATING END, 1.25µm TIN ON SOLDER TAIL, ALL OVER 1.27µm NICKEL.

CONTACT FINISH	DESCRIPTION	PART NUMBER
9	LEFT INDICATOR DOWN	2214565-6
9	LEFT INDICATOR UP	2214565-5
9	NO LIGHTPIPE	2214565-4
2	LEFT INDICATOR DOWN	2214565-3
2	LEFT INDICATOR UP	2214565-2
2	NO LIGHTPIPE	2214565-1

THIS DRAWING IS A CONTROLLED DOCUMENT. DIMENSIONING AND TOLERANCING PER ASME Y14.5M-2009.

STE TE Connectivity

CAGE AND CONNECTOR ASSEMBLY, WITH EMI GASKET, 2X3, ZQSFP+ STACKED

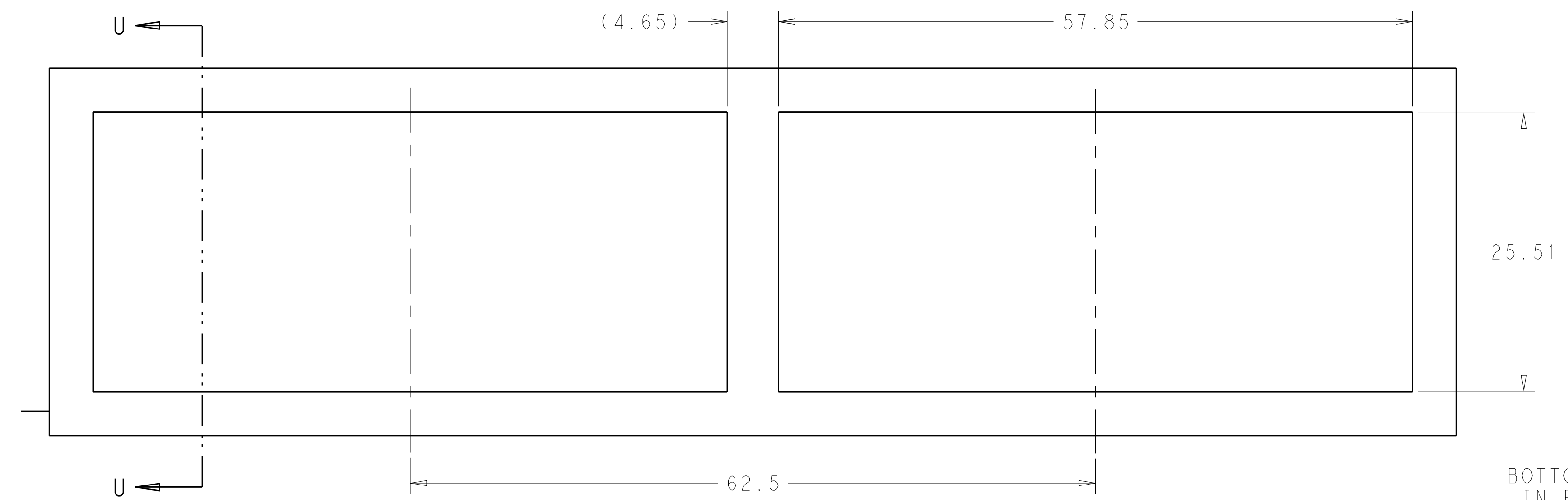
108-60102

114-60015

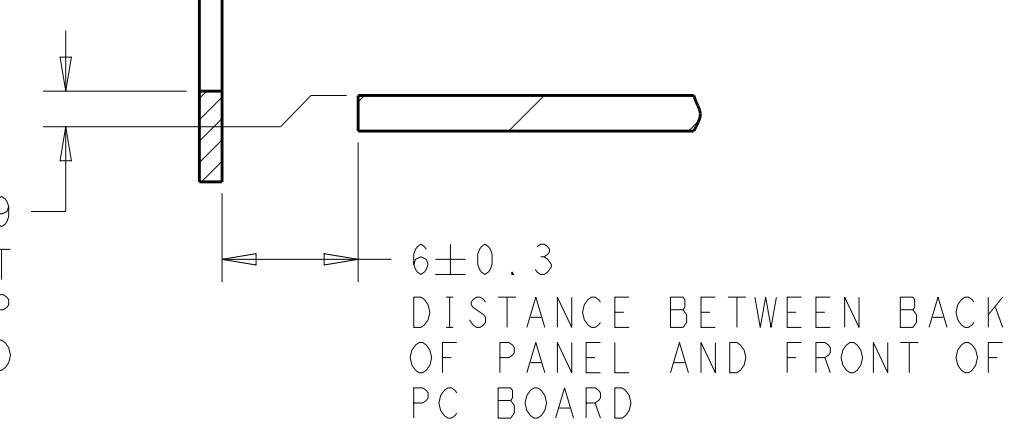
100779

SCALE 4:1 SHEET 1 OF 4 REV A

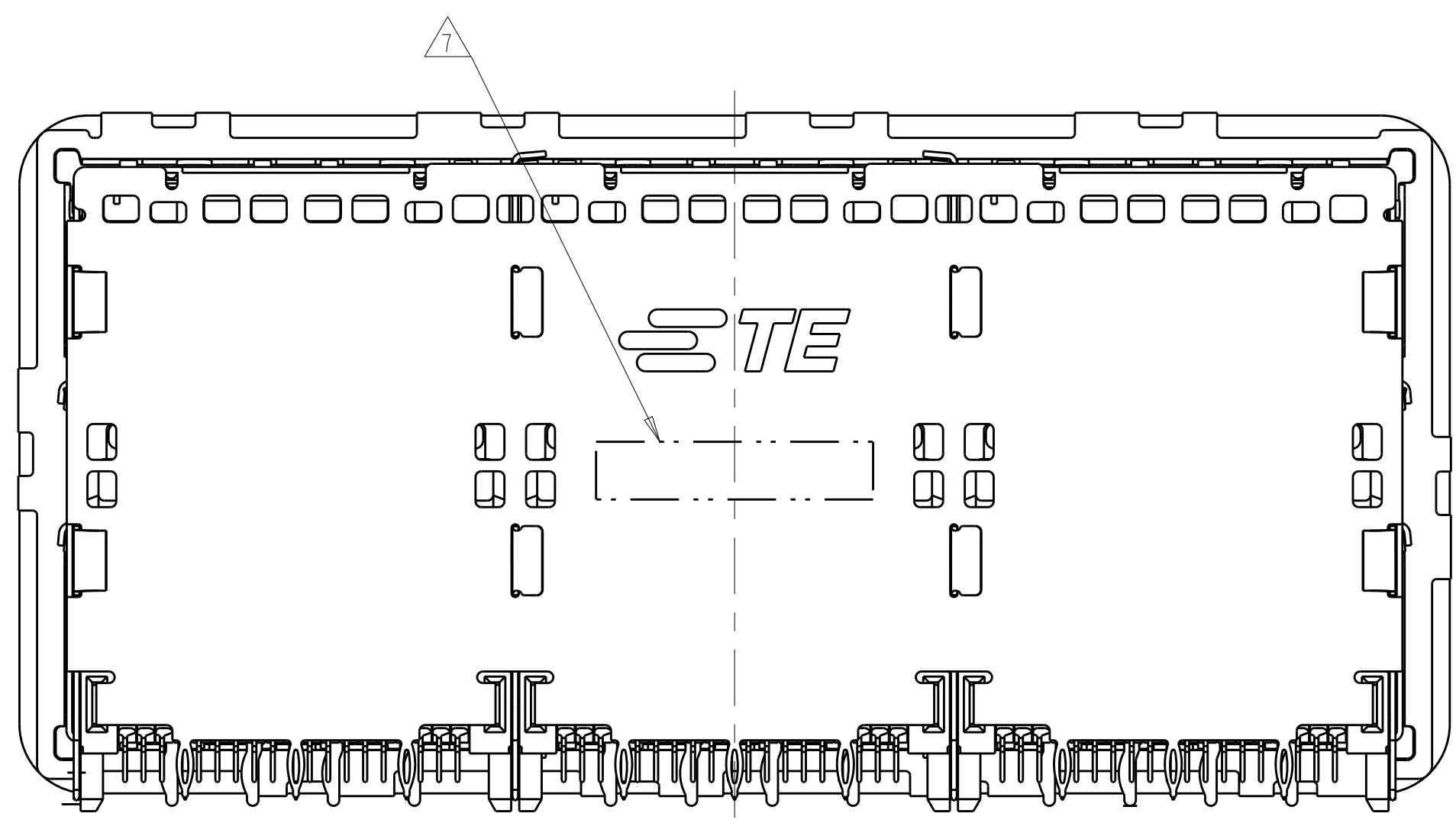
LOC		DIST		REVISIONS			
P	LTN	DESCRIPTION	DATE	DMN	APVD		
-	-	SEE SHEET 1	-	-	-		



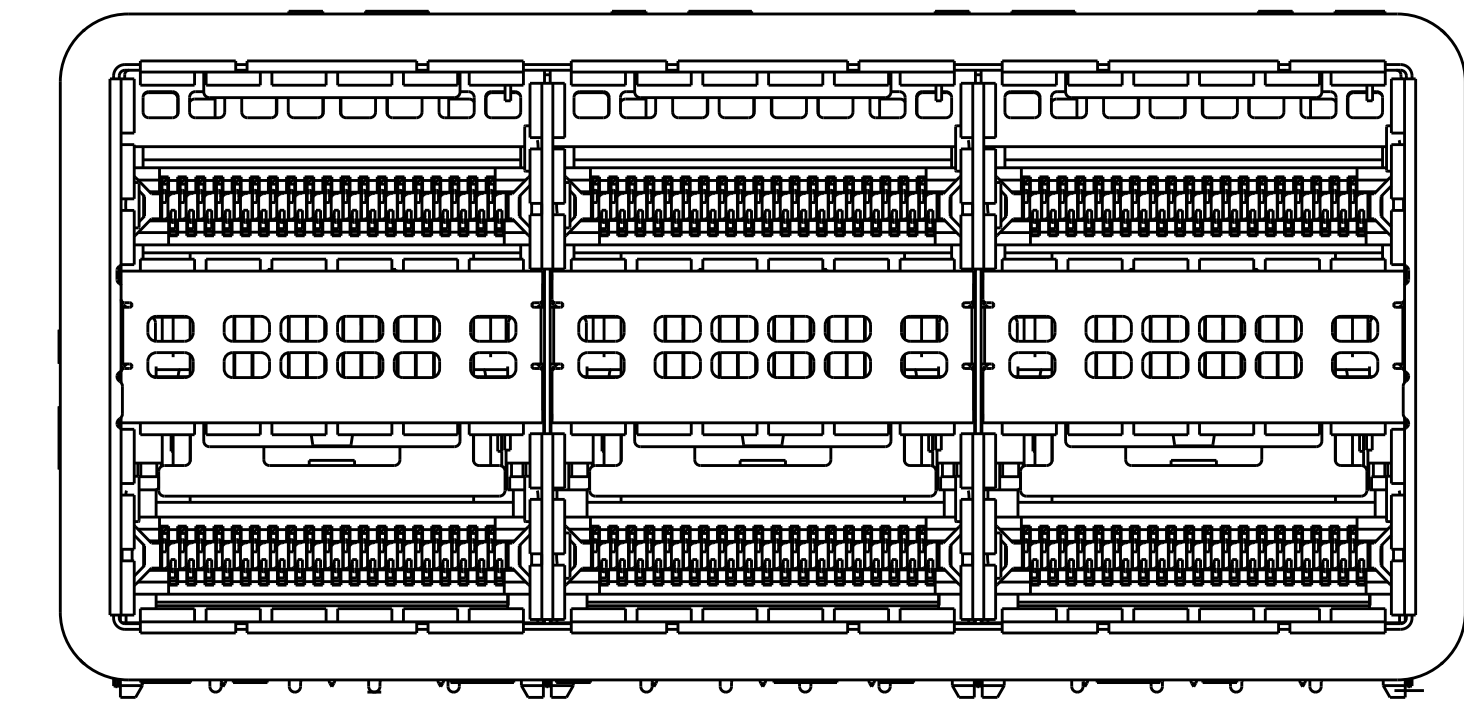
RECOMMENDED PANEL CUTOUT AND PC BOARD, PANEL POSITION
 SCALE 3:1



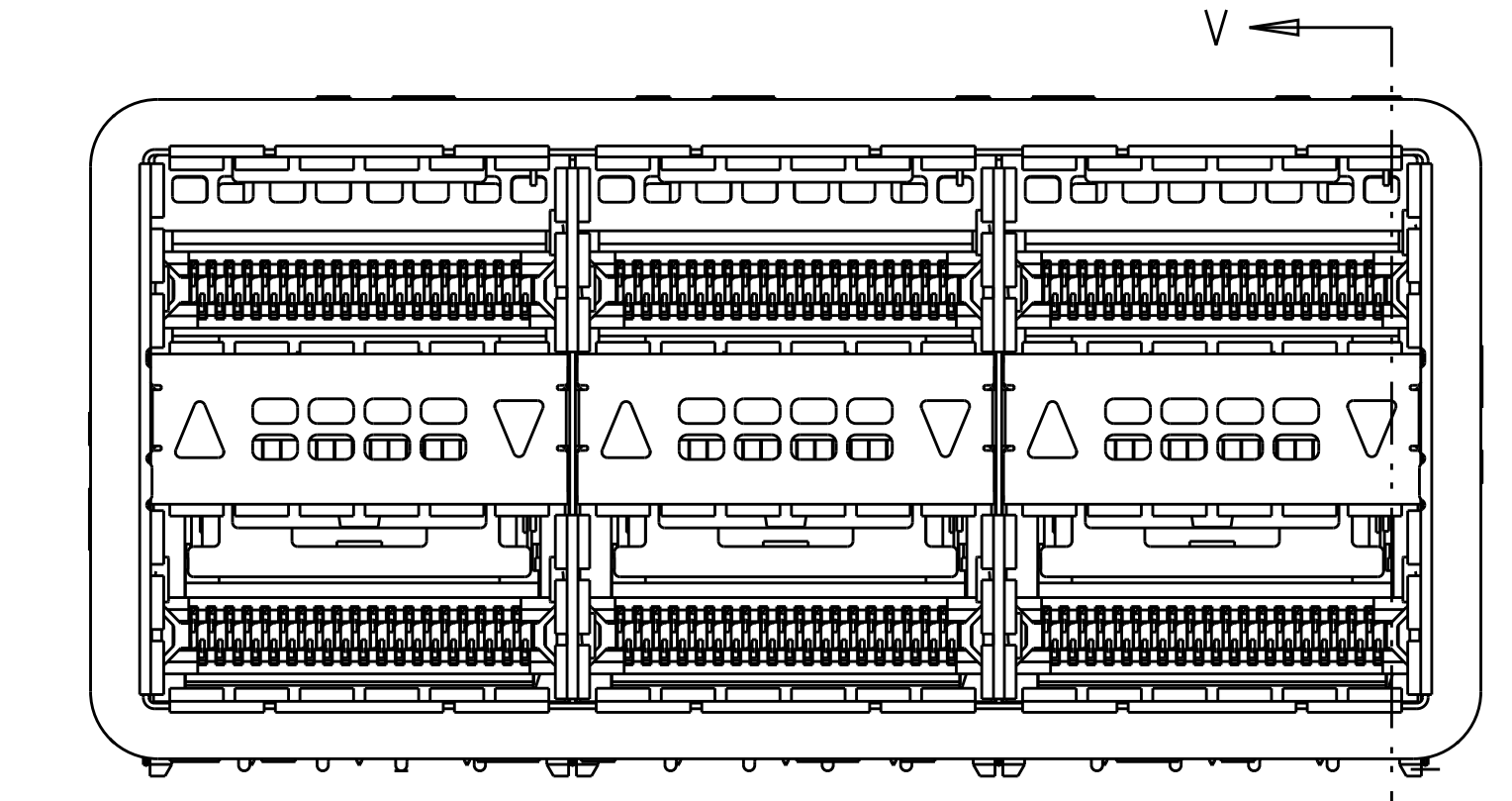
SECTION U-U



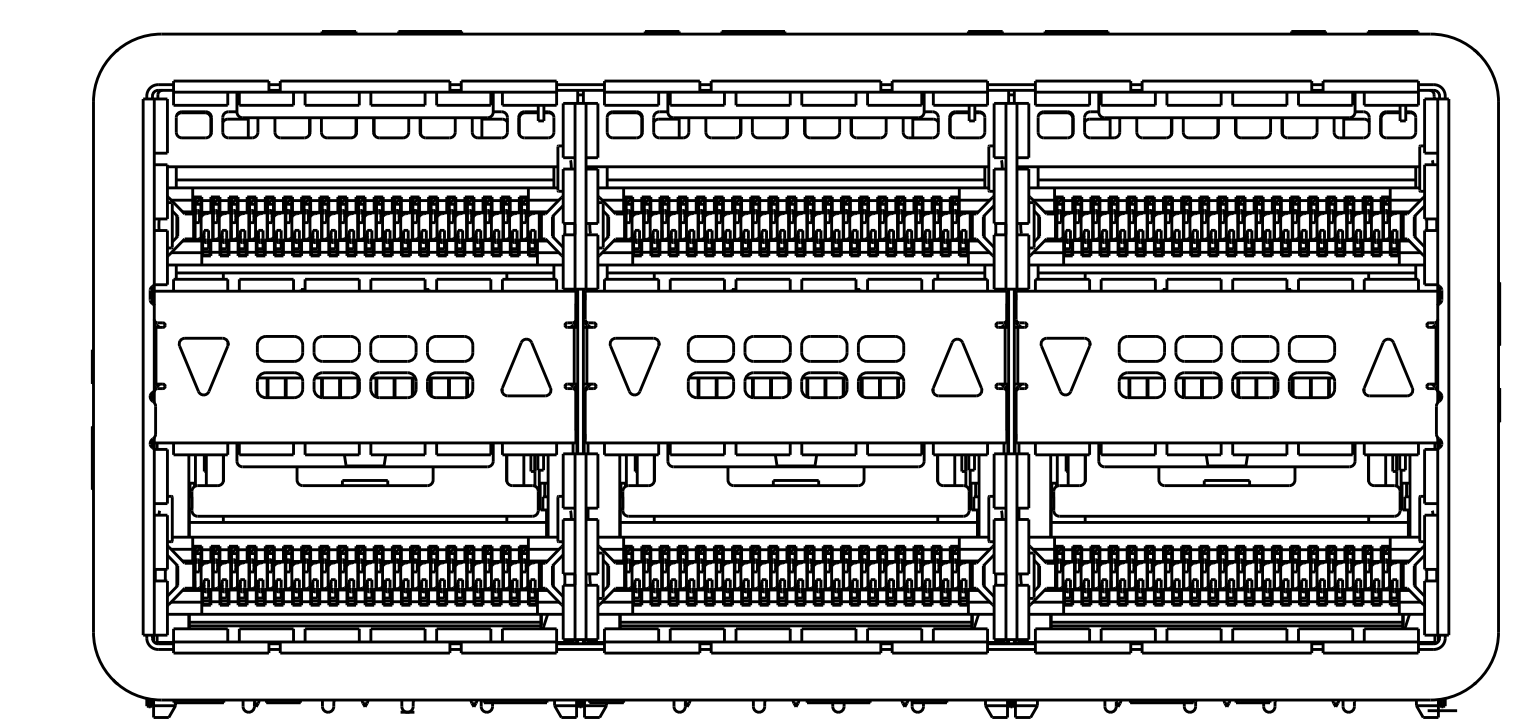
VIEW Y-Y



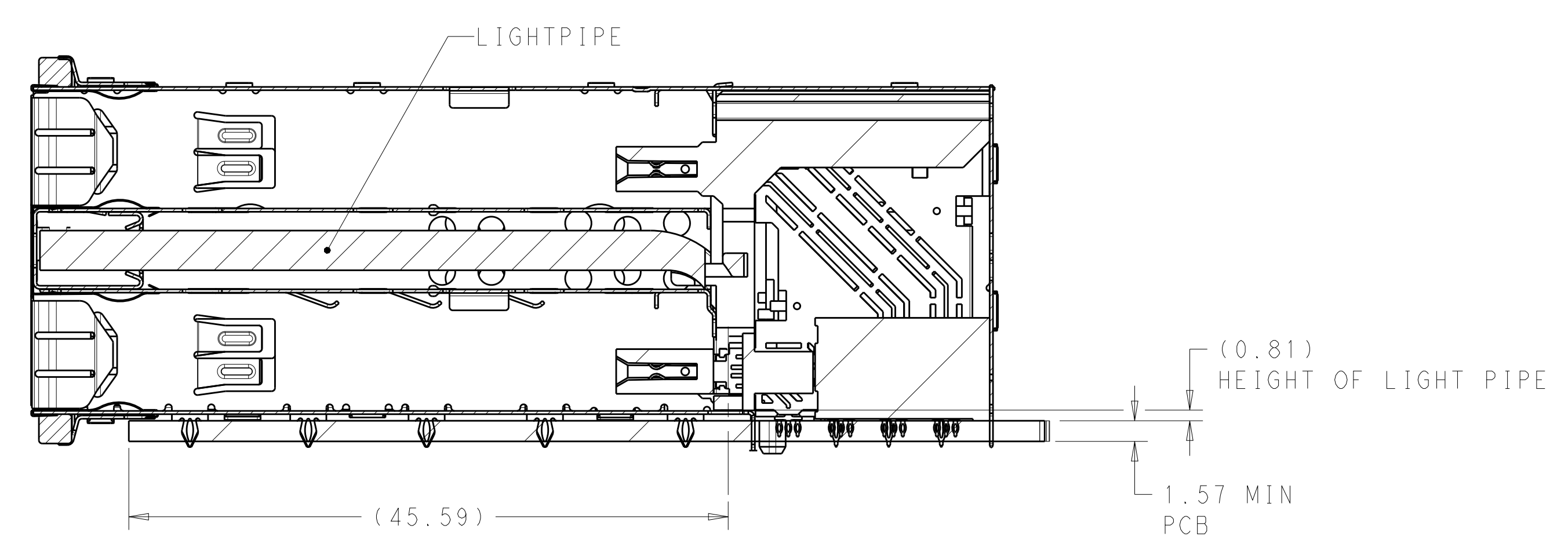
2214565-1 / 2214565-4
 NO LIGHTPIPE IN ASSEMBLY
 SCALE 3:1



2214565-2 / 2214565-5
 LEFT LIGHTPIPE INDICATOR POINTING TO UPPER PORT
 SCALE 3:1



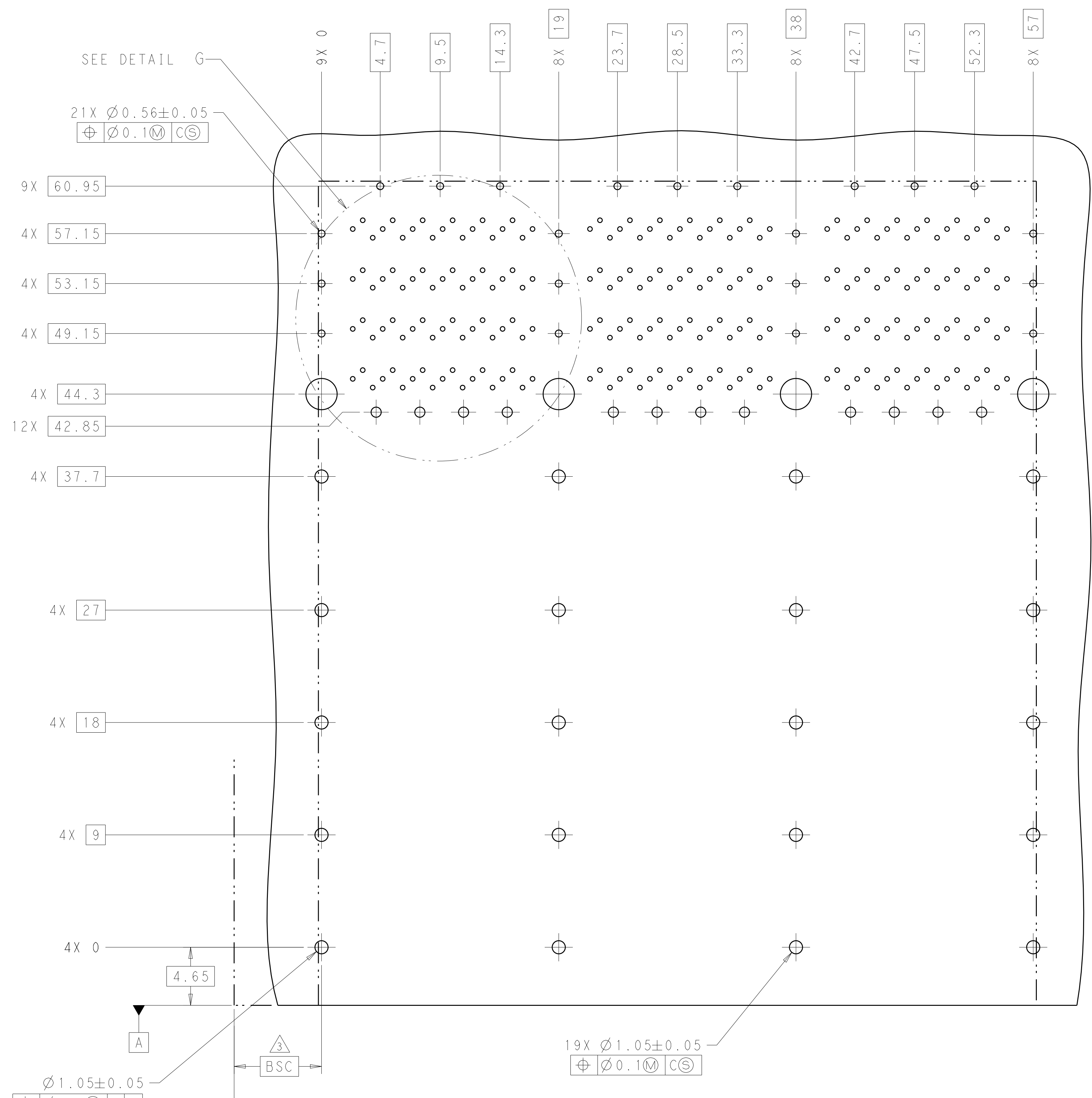
2214565-3 / 2214565-6
 LEFT LIGHTPIPE INDICATOR POINTING TO LOWER PORT
 SCALE 3:1



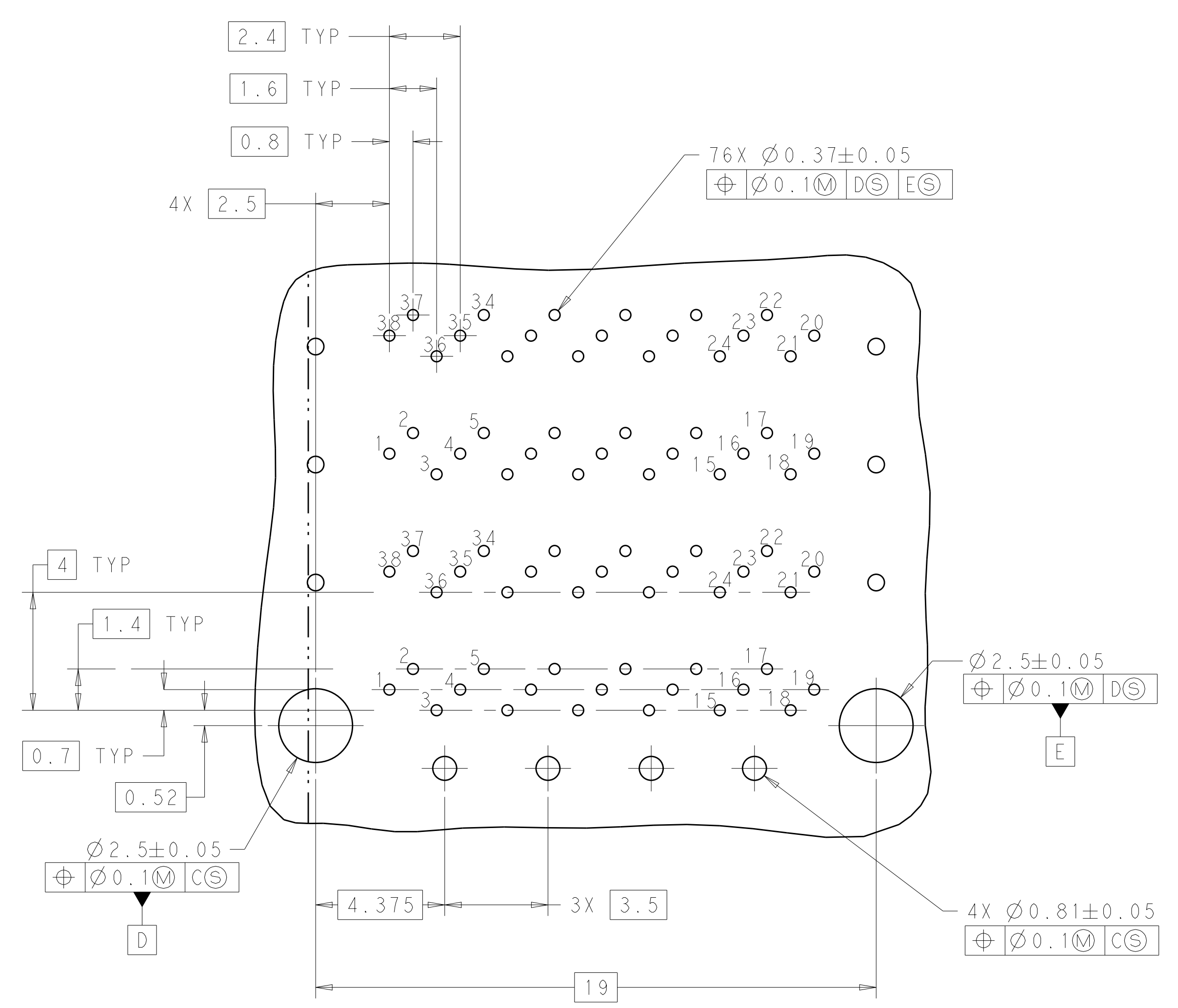
SECTION V-V
 SCALE 3:1

THIS DRAWING IS A CONTROLLED DOCUMENT. DIMENSIONING AND TOLERANCING PER: ASME Y14.5M-2009		DMN: M. SHIRK 27FEB2012 CHK: D. SZCZESNY 27FEB2012	TE Connectivity NAME: CAGE AND CONNECTOR ASSEMBLY, WITH EMI GASKET, 2X3, ZQSFP+ STACKED SIZE: 114-60015 WEIGHT: A100779 SCALE: 4:1 SHEET 2 OF 4 REV A
DIMENSIONS: mm	TOLERANCES UNLESS OTHERWISE SPECIFIED:	APVD: -	
0 PLC ± 1 PLC ±0.25 2 PLC ±0.15 3 PLC ± 4 PLC ± ANGLES ± FINISH: -	PRODUCT SPEC: 108-60102 APPLICATION SPEC: 114-60015	RESTRICTED TO: -	
MATERIAL: - SEE NOTE 1	FINISH: - SEE NOTE 2	CUSTOMER DRAWING	

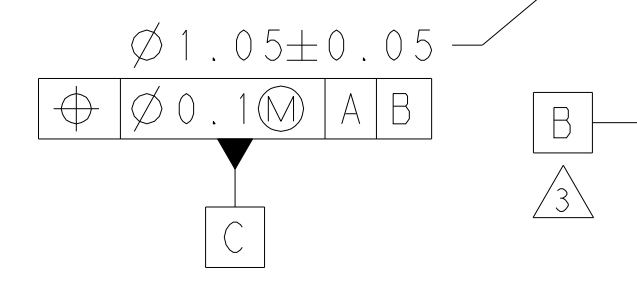
REVISONS		DATE	OWN	APVD
P. LTR	DESCRIPTION			
-	SEE SHEET 1	-	-	-



RECOMMENDED PC BOARD LAYOUT
 COMPONENT SIDE OF BOARD
 PCB TOLERANCE: ±0.05
 SCALE 5:1

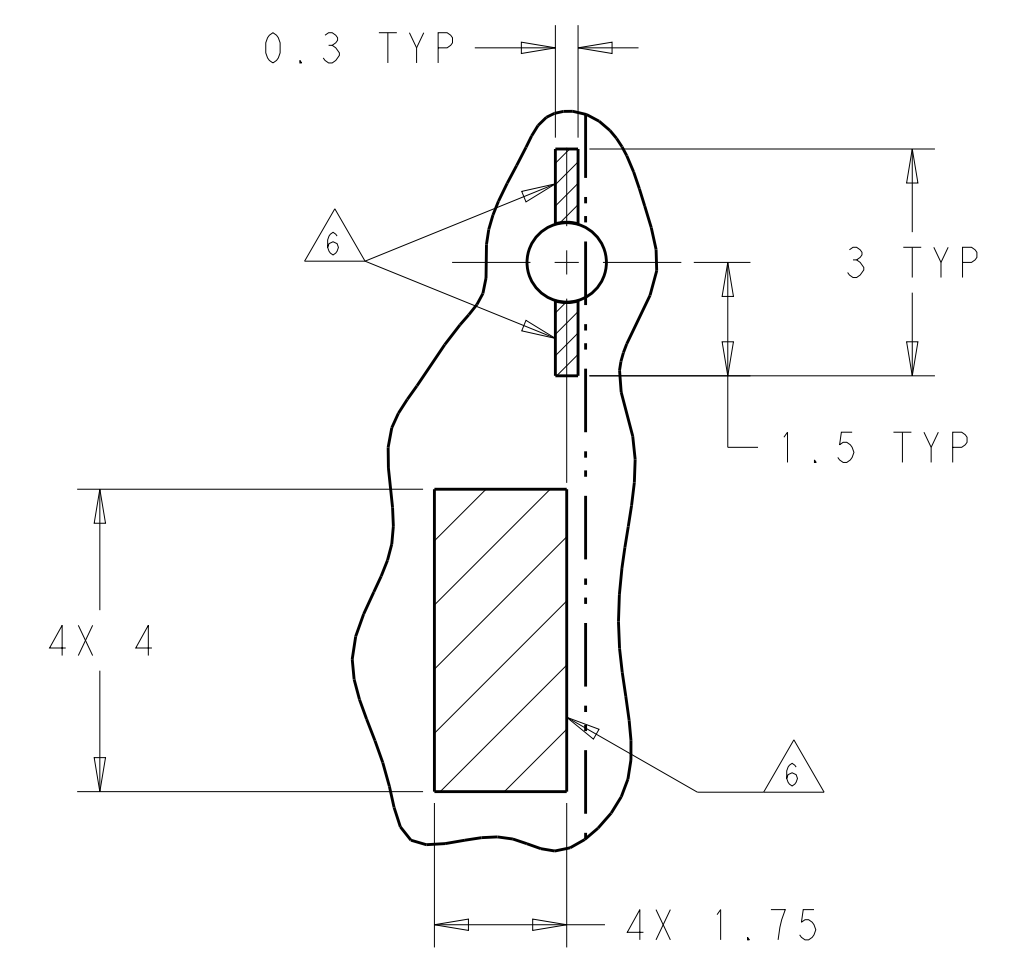
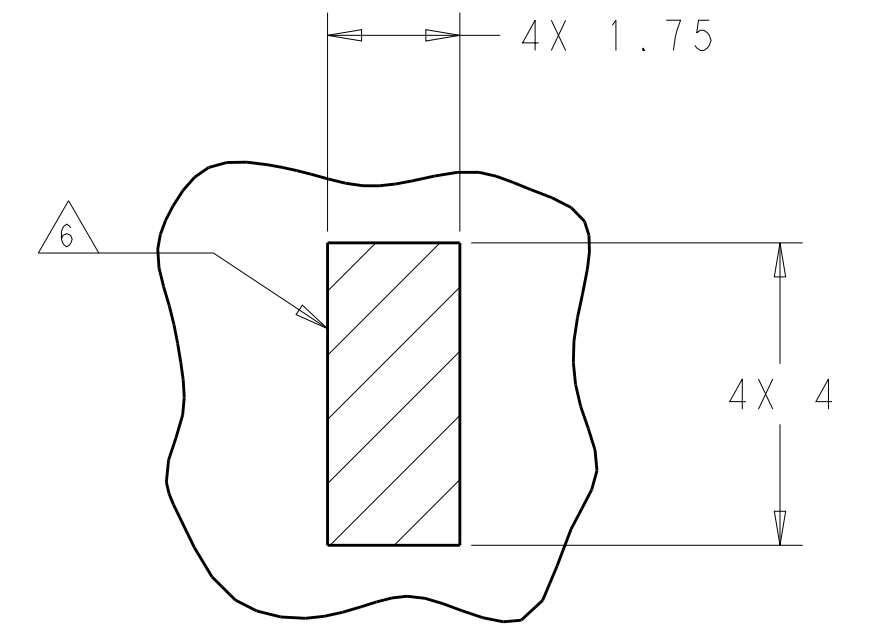
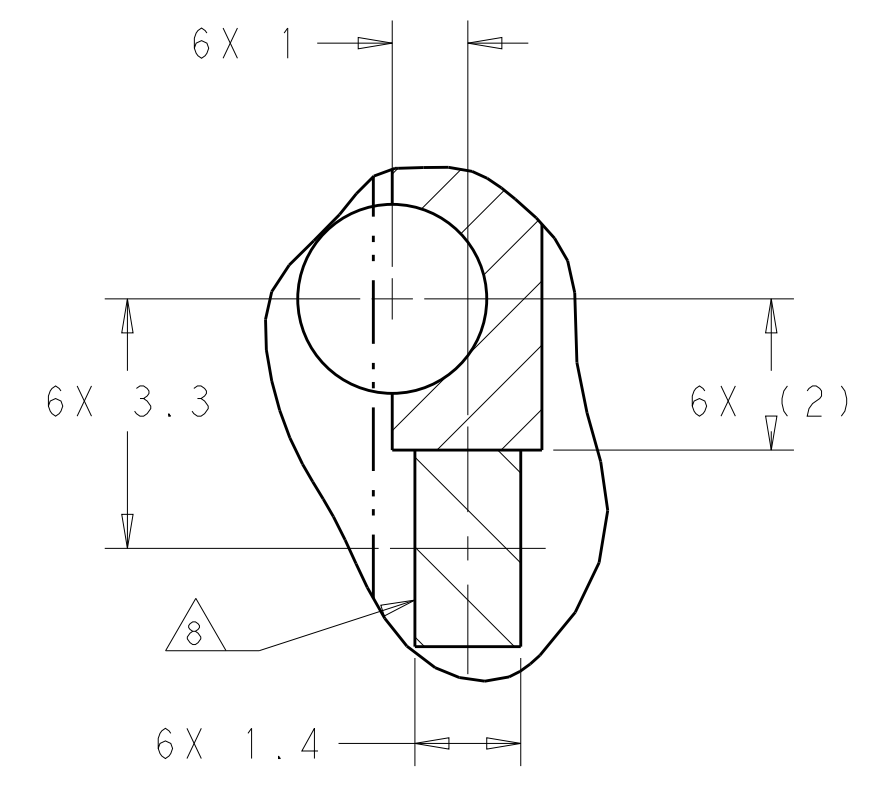
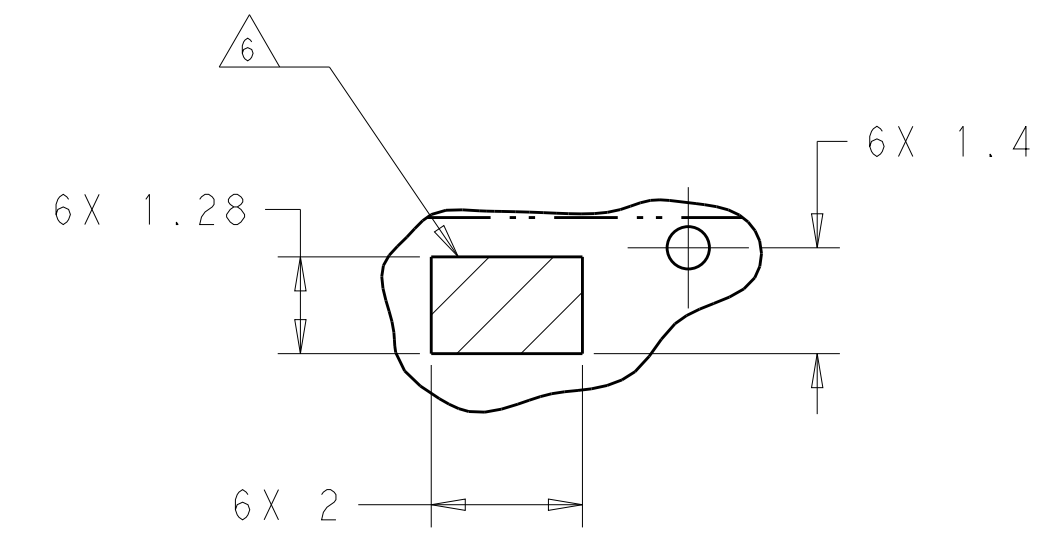
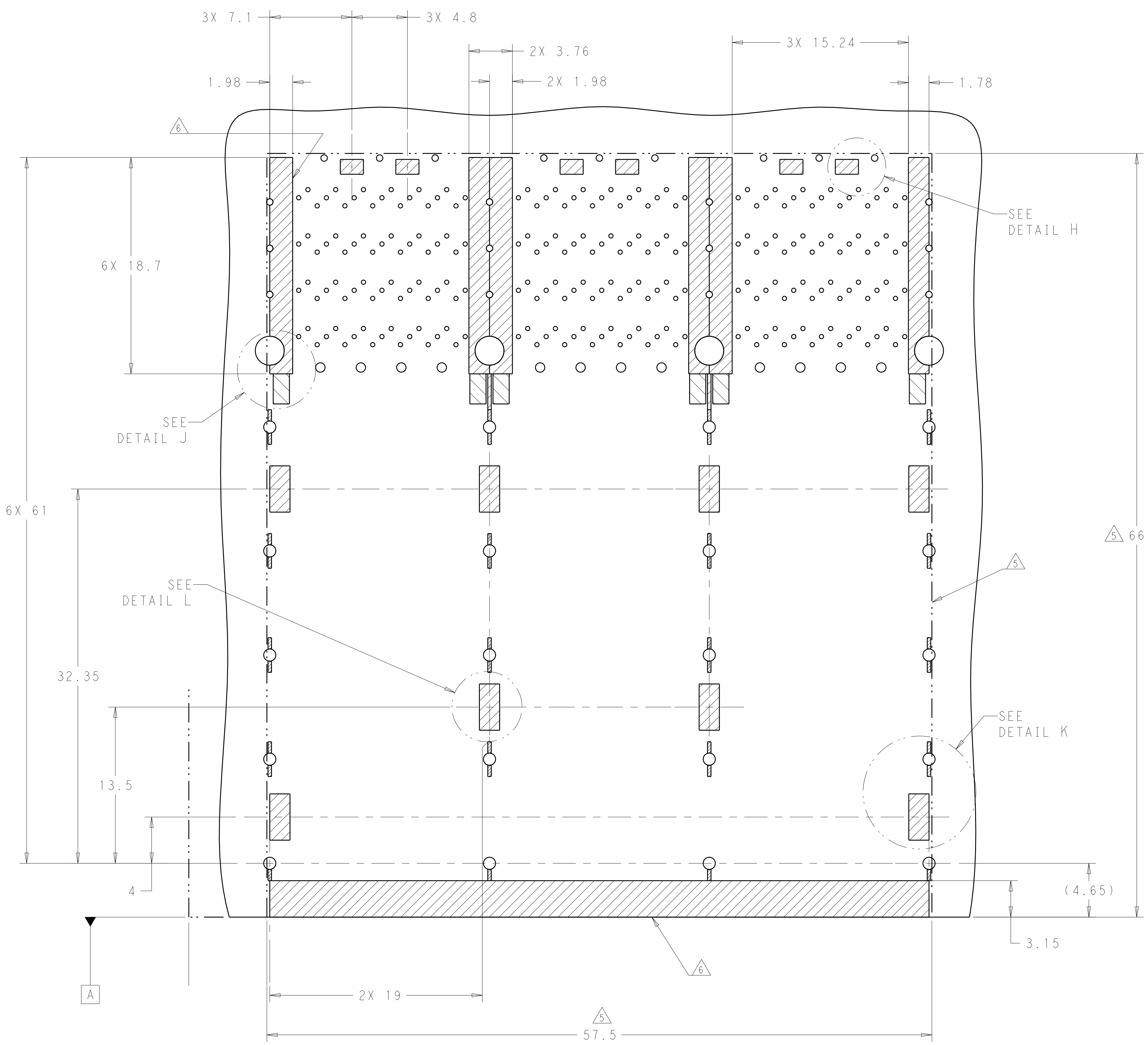


DETAIL G
 3X INDIVIDUALLY
 SCALE 8:1



THIS DRAWING IS A CONTROLLED DOCUMENT. DIMENSIONING AND TOLERANCING PER: ASME Y14.5M-2009		OWN: M. SHIRK 27FEB2012 CHK: D. SZCZESNY 27FEB2012	TE Connectivity	
DIMENSIONS: mm	TOLERANCES UNLESS OTHERWISE SPECIFIED:	APVD: -	NAME: CAGE AND CONNECTOR ASSEMBLY, WITH EMI GASKET, 2X3, ZQSFP+ STACKED	RESTRICTED TO: -
0 PLC ±	1 PLC ±0.25	PRODUCT SPEC: 108-60102	SIZE: A100779	CAGE CODE: 2214565
2 PLC ±0.15	3 PLC ±	APPLICATION SPEC: 114-60015	WEIGHT: -	SCALE: 4:1
4 PLC ±	ANGLES ±	FINISH: -	CUSTOMER DRAWING	SHEET 3 OF 4
MATERIAL: -	FINISH: -	SEE NOTE 1	SEE NOTE 2	REV: A

LOC		DIST		REVISIONS			
P.	LTN.	DESCRIPTION	DATE	DWN.	APVD.		
-	-	SEE SHEET 1	-	-	-	-	-



KEEPOUT AREAS
COMPONENT SIDE OF BOARD
SCALE 5:1

THIS PRODUCT HAS NOT COMPLETED VALIDATION AND QUALIFICATION TESTING

THIS DRAWING IS A CONTROLLED DOCUMENT. DIMENSIONING AND TOLERANCING PER ASME Y14.5M-2009.		DWN: M. SHIRK 27FEB2012 CHK: D. SZCZESNY 27FEB2012 APVD: -	TE Connectivity NAME: CAGE AND CONNECTOR ASSEMBLY, WITH EMI GASKET, 2X3, ZQSP+ STACKED PRODUCT SPEC: 108-60102 APPLICATION SPEC: 114-60015 SIZE: 114-60015 WEIGHT: - FINISH: - CUSTOMER DRAWING	
DIMENSIONS: mm	TOLERANCES UNLESS OTHERWISE SPECIFIED:	0 PLC ±0.25	1 PLC ±0.15	2 PLC ±0.15
MATERIAL: SEE NOTE 1	FINISH: SEE NOTE 2	3 PLC ±0.15	4 PLC ±0.15	ANGLES ±0.5
SCALE 4:1		SHEET 4 OF 4		REV A

X-ON Electronics

Largest Supplier of Electrical and Electronic Components

Click to view similar products for [I/O Connectors](#) category:

Click to view products by [TE Connectivity](#) manufacturer:

Other Similar products are found below :

[571763P](#) [58098-0628](#) [72.250.1628.2](#) [72.250.2428.2](#) [74720-0505](#) [76.350.0729.0](#) [76871-1403](#) [FCN-244F080-G/1](#) [FCN-260A9920](#) [PCR-E36PM](#) [PCS-XE26MA+](#) [G38A71314B](#) [1571250010](#) [157-22500-3](#) [MS3471L14-19P L/C](#) [172501-4002](#) [172501-6002](#) [FCN-260C008-A/L0](#) [FCN-260C024-AL0](#) [FCN-261Z008](#) [2000314-1](#) [200331-1](#) [PCR-E36FC+](#) [PCS-E28FS+](#) [PCS-XE26SLFD+](#) [PCS-XE26SLFDT+](#) [G730VID08BDC24](#) [U90B2054081210](#) [38113800006](#) [DP3AR020WQ1R200](#) [Z4.102.0680.0](#) [500-1040](#) [500-1052](#) [500-1054](#) [ZP-4008-66L](#) [0709821002](#) [DX40-20P\(55\)](#) [5554841-1](#) [MS3474W18-8P-LC*](#) [U90B3054061110](#) [U65-E04-4020](#) [ZPF000000000097891](#) [747360449](#) [10099439-003C-TRLF](#) [10137239-0021LF](#) [E9320-001-01](#) [10137239-0011LF](#) [70289-001LF](#) [70.060.1028.0](#) [109029-ZZ](#)