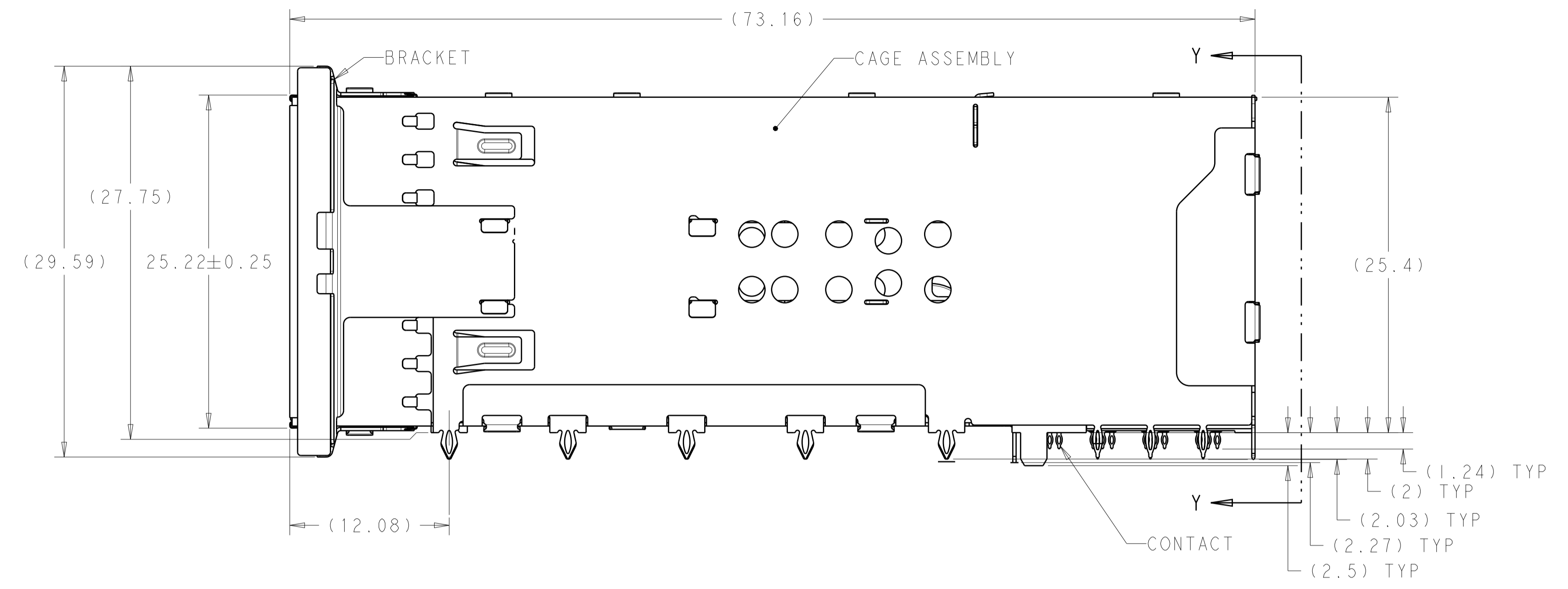
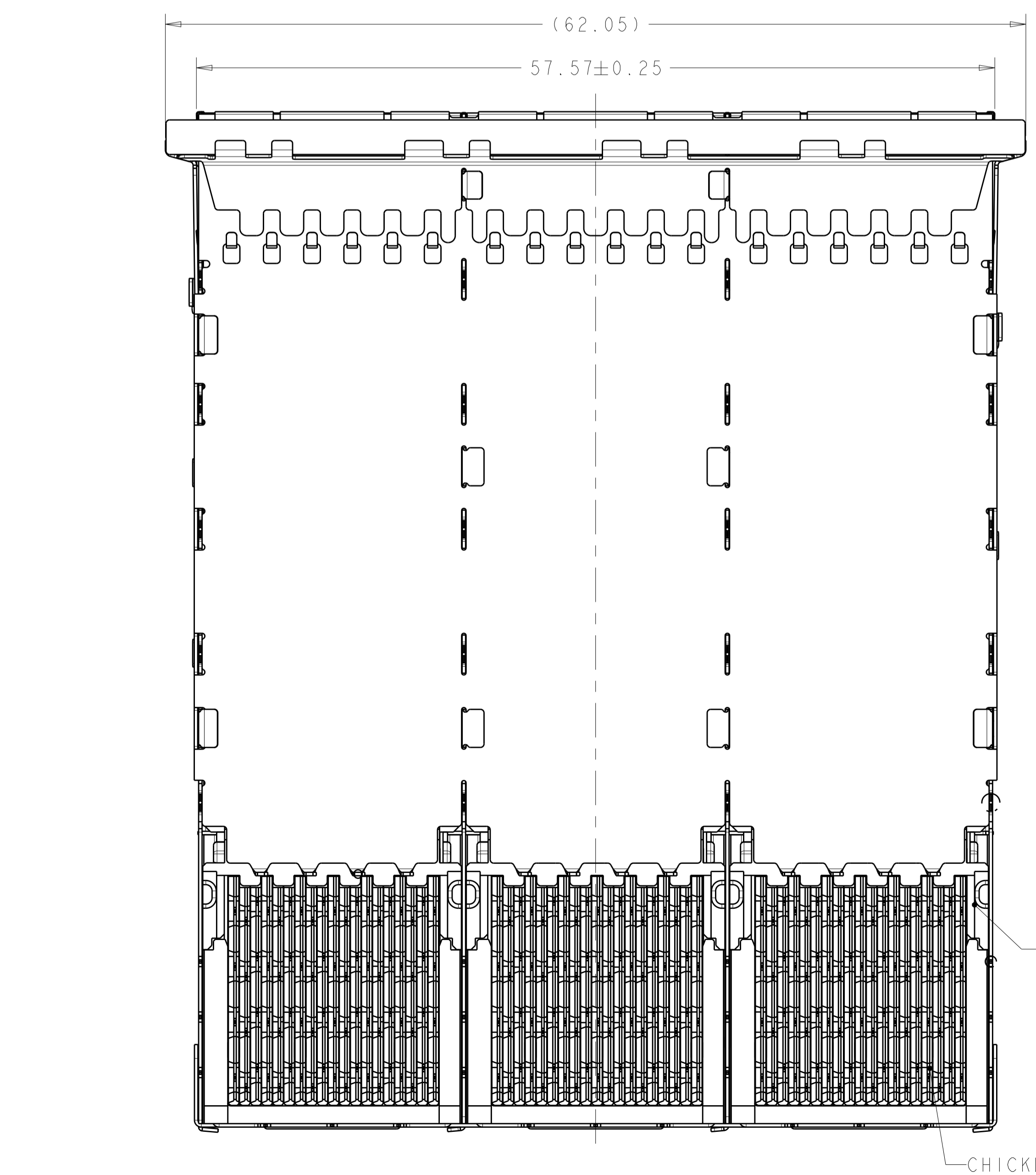
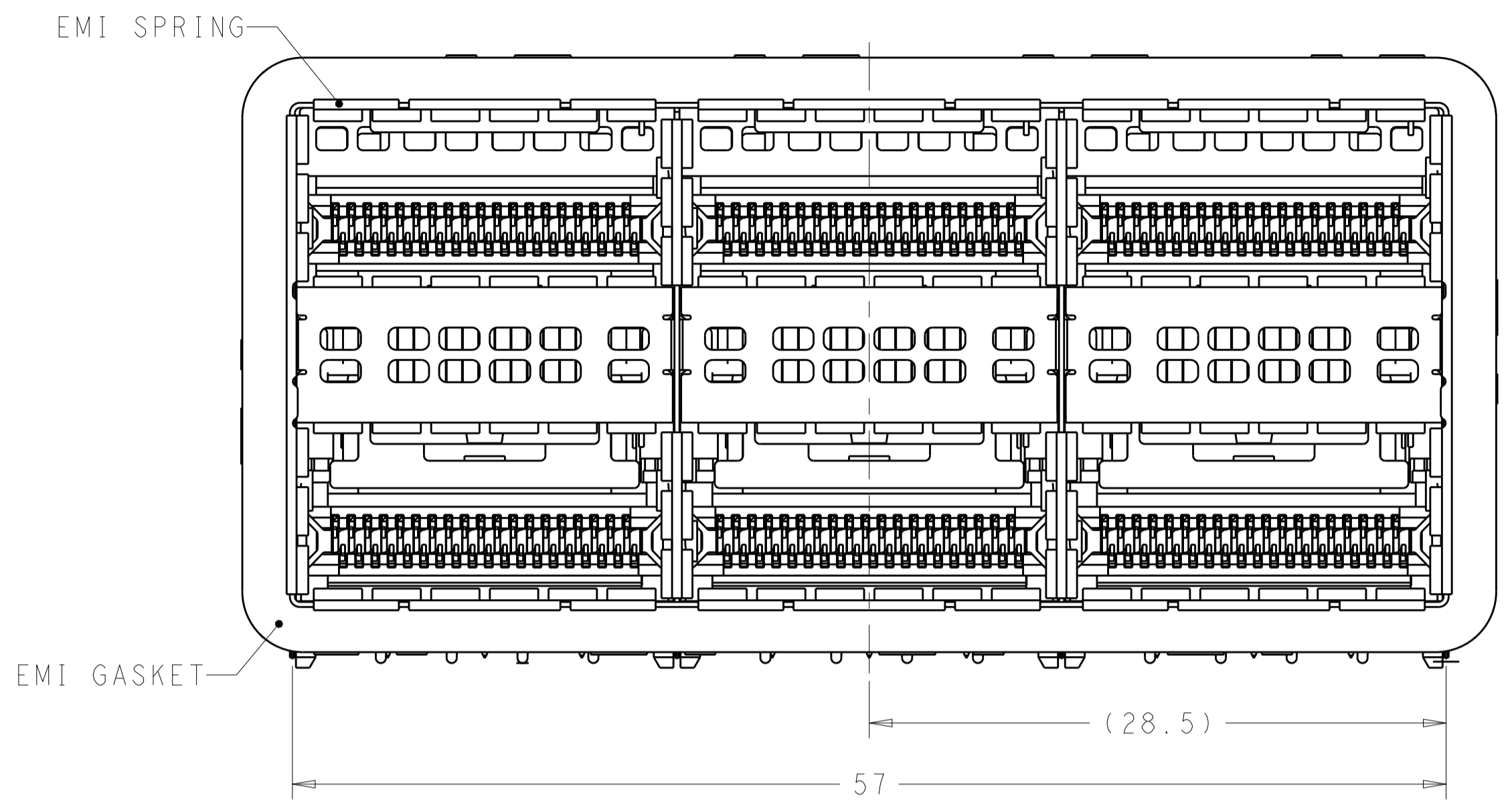


LOC	DIST	REVISIONS			
P	LTN	DESCRIPTION	DATE	DWN	APVD
A		RELEASED FOR PRODUCTION	01MAR2016	TX	SH



1. MATERIALS:  
 CAGE ASSEMBLY- NICKEL SILVER ALLOY PER ASTM B 122.  
 BRACKET- NICKEL SILVER ALLOY PER ASTM B 122.  
 EMI SPRING- COPPER ALLOY, NICKEL PLATED.  
 EMI GASKET- PLATED FILLED SILICONE.  
 HOUSING- POLYESTER LCP WITH 94 V-0.  
 CHICKLET- POLYESTER LCP WITH 94 V-0.  
 CONTACT- COPPER ALLOY.  
 LIGHTPIPE- POLYCARBONATE WITH 94 V-0.
2. CONTACT FINISH: 0.76µm GOLD ON MATING END, 1.25µm TIN ON SOLDER TAIL, ALL OVER 1.27µm NICKEL.
3. DATUM AND BASIC DIMENSION ESTABLISHED BY CUSTOMER.
4. MINIMUM PCB THICKNESS OF 1.57.
5. THE ENTIRE AREA OF THE CONNECTOR FOOTPRINT, INDICATED BY THE DASHED LINE, TO BE CONSIDERED THE KEEPOUT AREA FOR COMPONENTS.
6. CROSS-HATCHED AREAS REPRESENT ZONES ON THE PCB THAT COME IN CONTACT WITH OR BE IN CLOSE PROXIMITY TO THE PLASTIC HOUSING OR THE CONNECTOR CAGE. INDICATED AREAS TO BE CONSIDERED TRACE FREE.
7. PART NUMBER AND DATE CODE MARKED IN APPROXIMATE AREA SHOWN.
8. HATCHED AREA IS PLACEMENT ZONE FOR LED. LED SHOULD BE CENTERED WITHIN ZONE. RECOMMEND 0805 PACKAGE.
9. CONTACT FINISH: 0.08µm MINIMUM GOLD OVER 0.68µm PALLADIUM-NICKEL ON MATING END, 1.25µm TIN ON SOLDER TAIL, ALL OVER 1.27µm NICKEL.

CONTACT FINISH	DESCRIPTION	PART NUMBER
9	LEFT INDICATOR DOWN	2214565-6
9	LEFT INDICATOR UP	2214565-5
9	NO LIGHTPIPE	2214565-4
2	LEFT INDICATOR DOWN	2214565-3
2	LEFT INDICATOR UP	2214565-2
2	NO LIGHTPIPE	2214565-1

THIS DRAWING IS A CONTROLLED DOCUMENT. DIMENSIONING AND TOLERANCING PER ASME Y14.5M-2009. TOLERANCES UNLESS OTHERWISE SPECIFIED:

DIMENSIONS:	mm	0 PLC ±	1 PLC ±0.25	2 PLC ±0.15	3 PLC ±	4 PLC ±
ANGLES:		114-60015				
MATERIAL:	SEE NOTE 1	SEE NOTE 2				

OWN: M. SHIRK 27FEB2012  
 CHK: D. SZCZESNY 27FEB2012  
 APVD: -

PRODUCT SPEC: 108-60102  
 APPLICATION SPEC: 114-60015

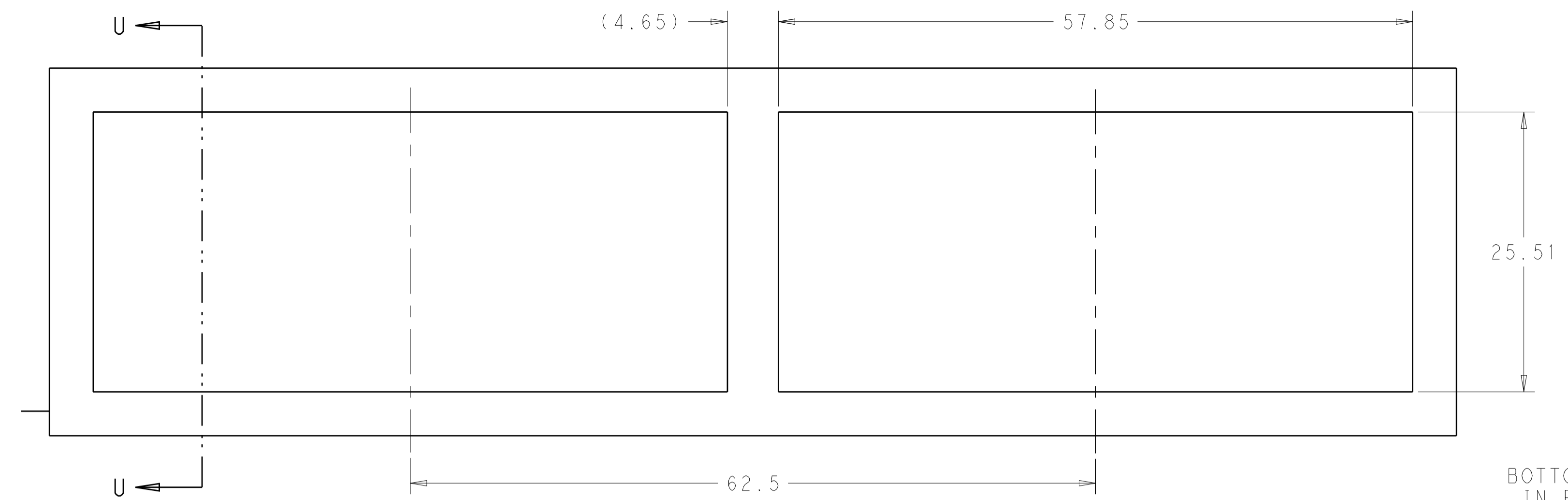
WEIGHT: -

CUSTOMER DRAWING

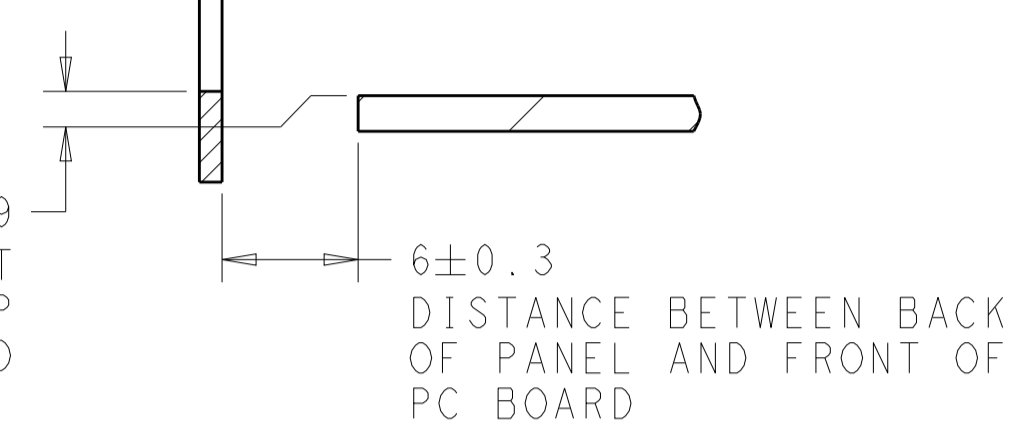
SCALE: 4:1 SHEET 1 OF 4 REV A

TE Connectivity  
 CAGE AND CONNECTOR ASSEMBLY, WITH EMI GASKET, 2X3, ZQSFP+ STACKED  
 A100779C=2214565

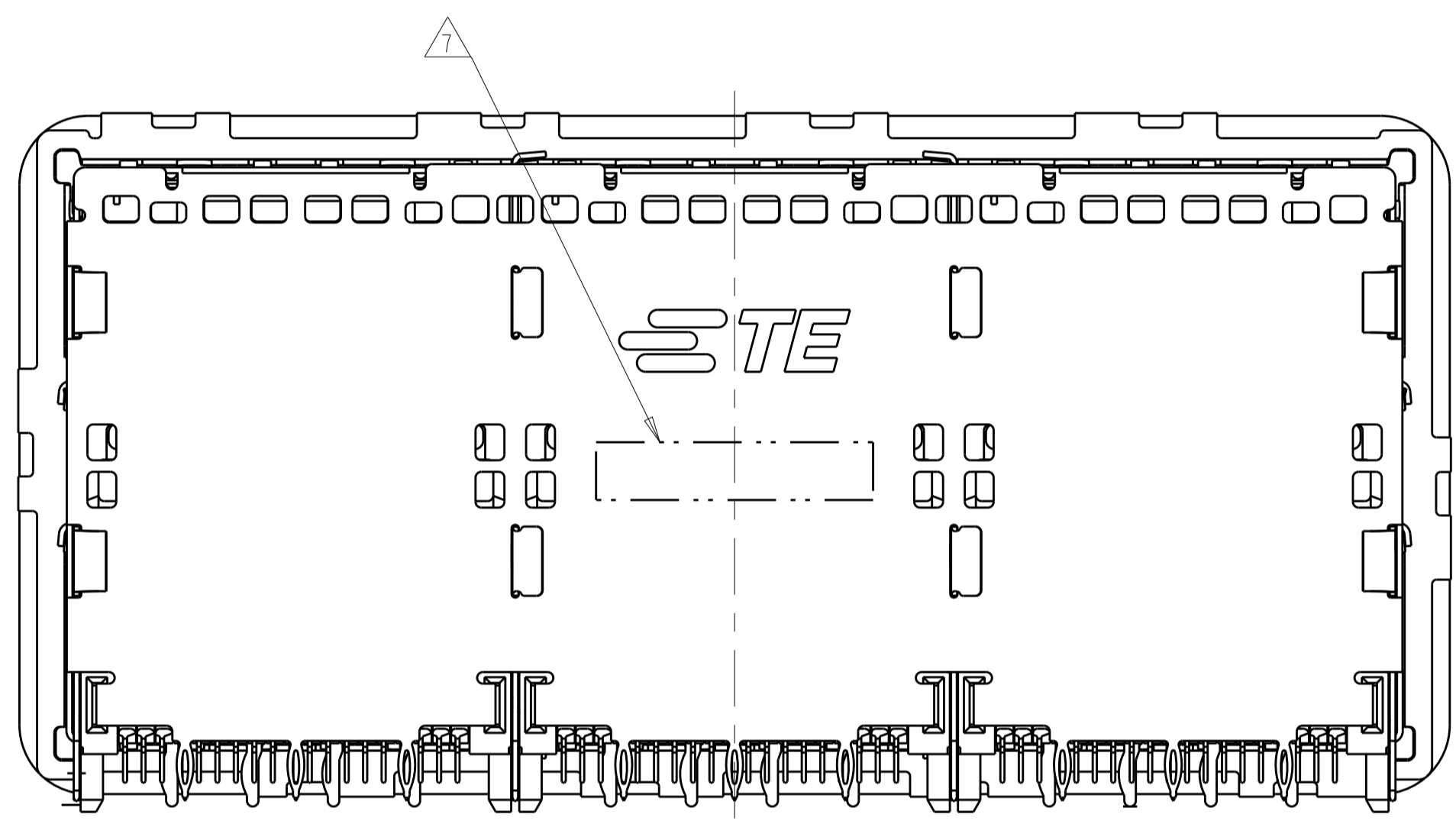
LOC	DIST	REV	DATE	BY	APPV
		1			



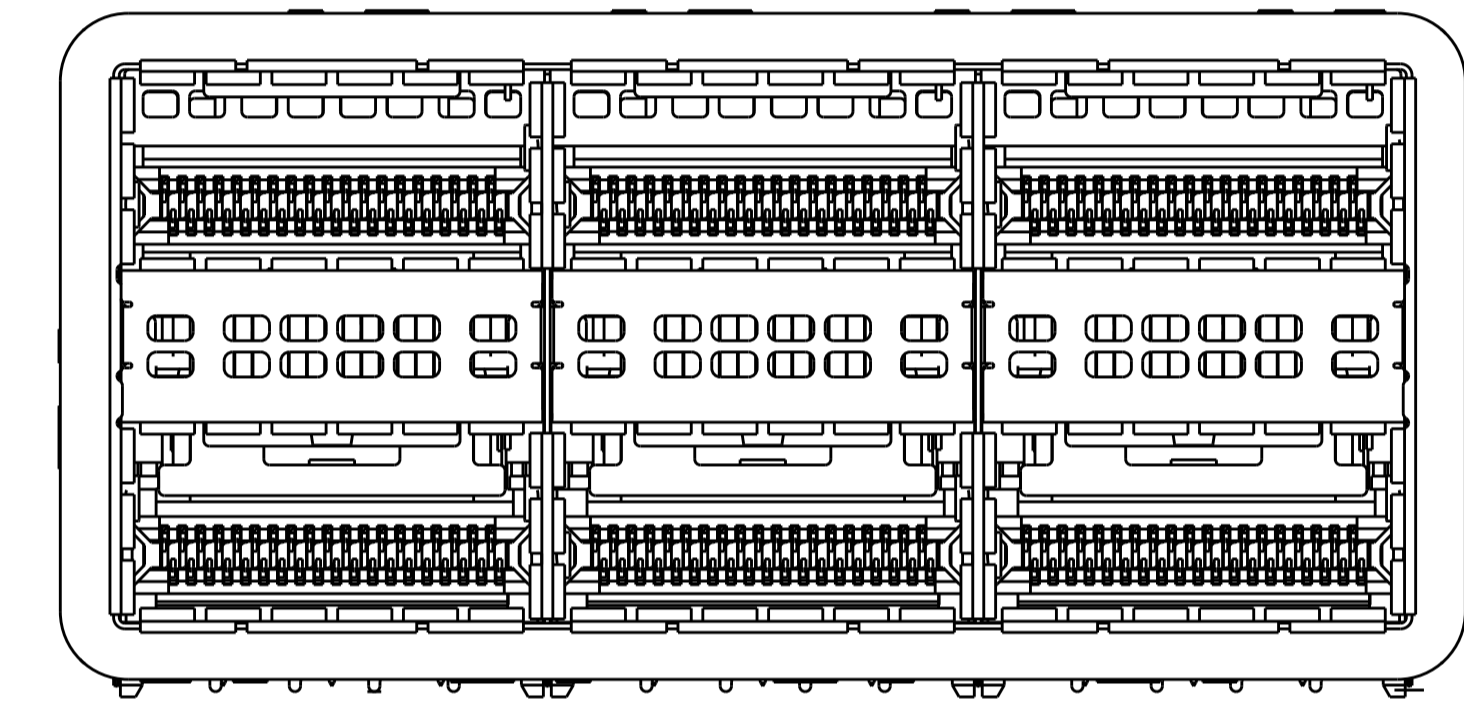
RECOMMENDED PANEL CUTOUT  
 AND PC BOARD, PANEL POSITION  
 SCALE 3:1



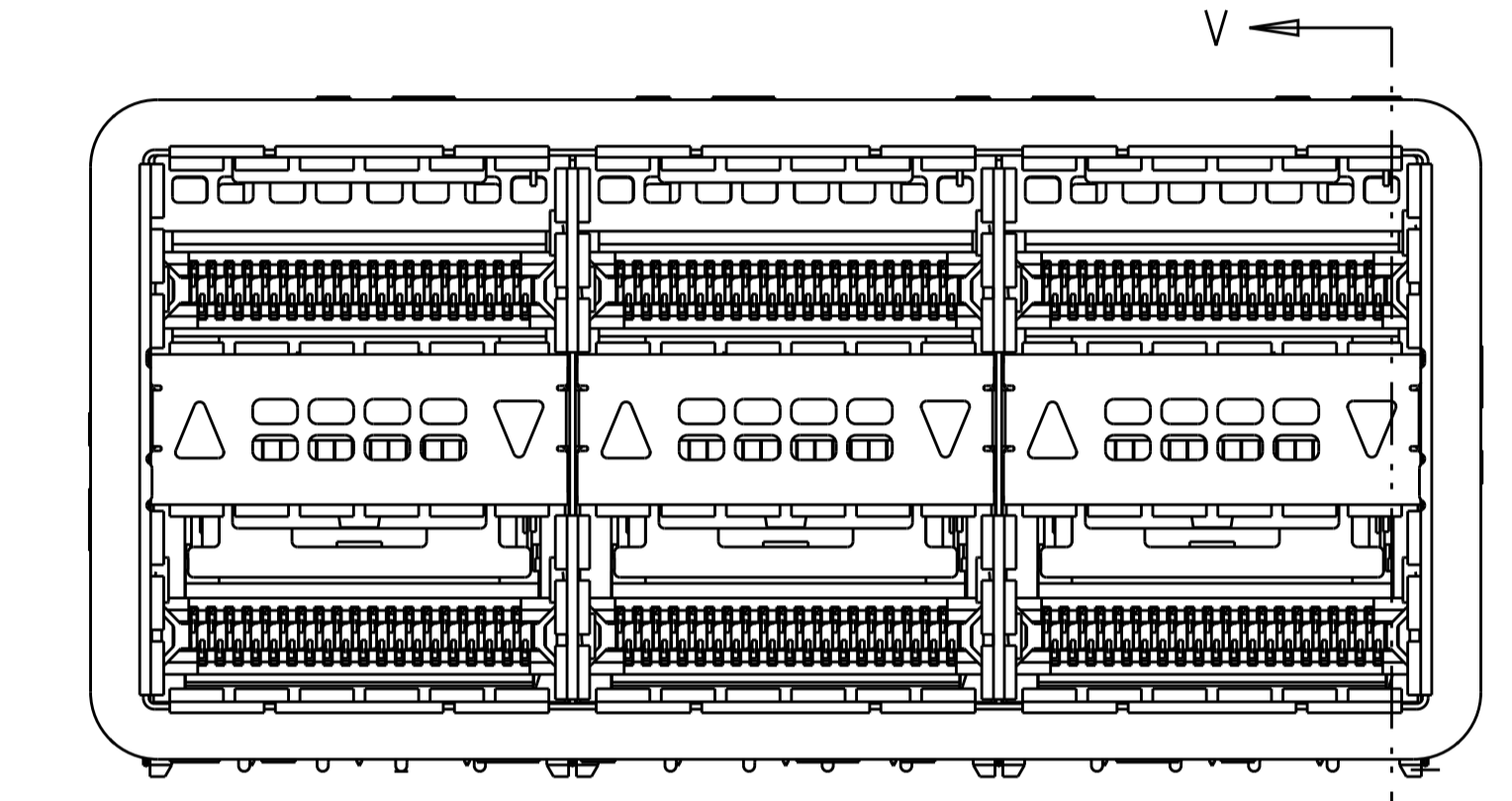
SECTION U-U



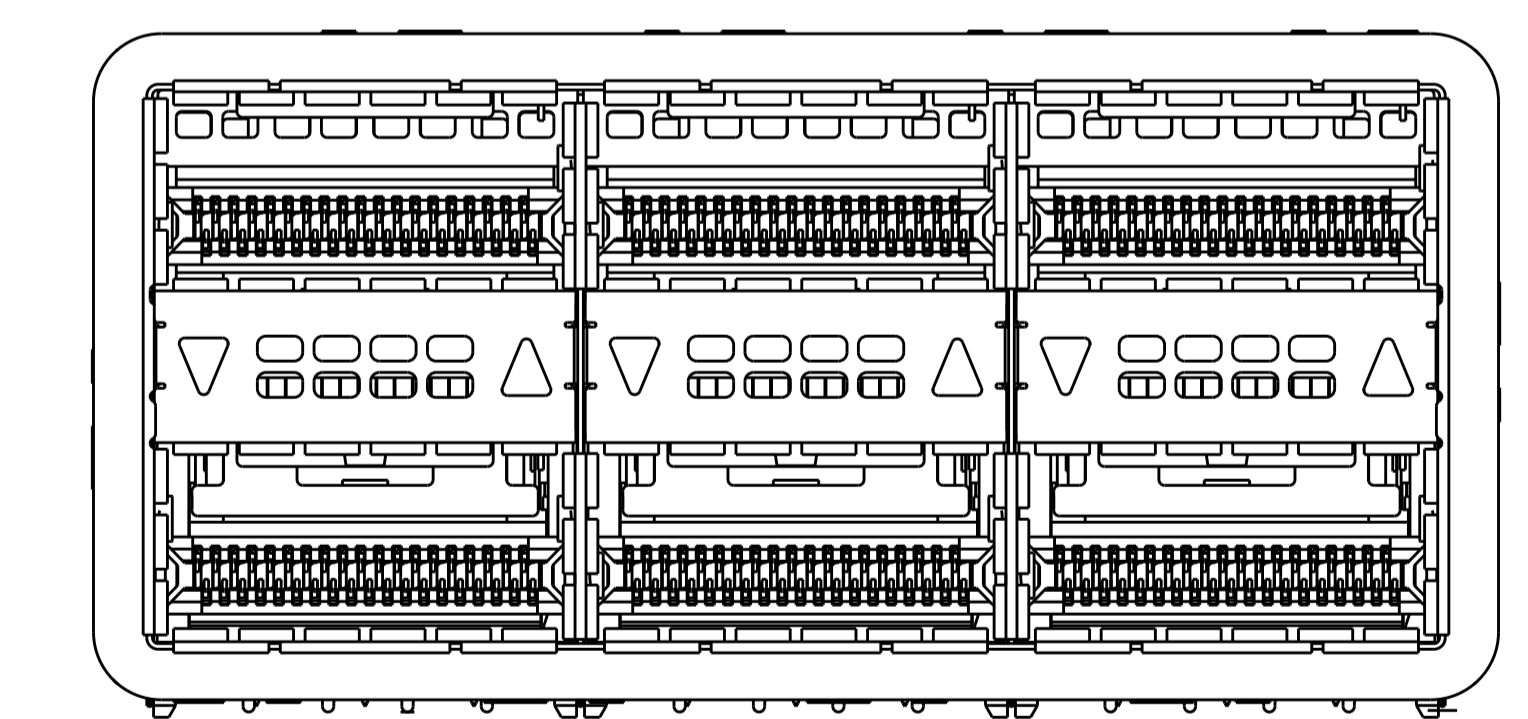
VIEW Y-Y



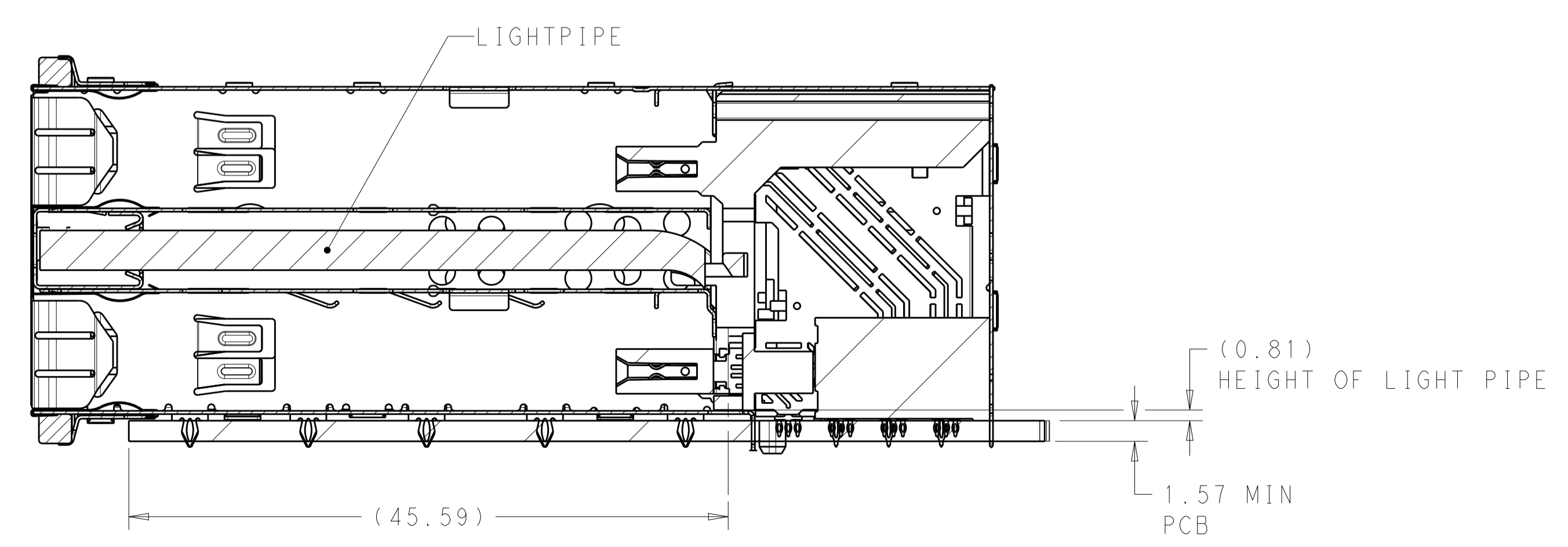
2214565-1 / 2214565-4  
 NO LIGHTPIPE IN ASSEMBLY  
 SCALE 3:1



2214565-2 / 2214565-5  
 LEFT LIGHTPIPE INDICATOR  
 POINTING TO UPPER PORT  
 SCALE 3:1



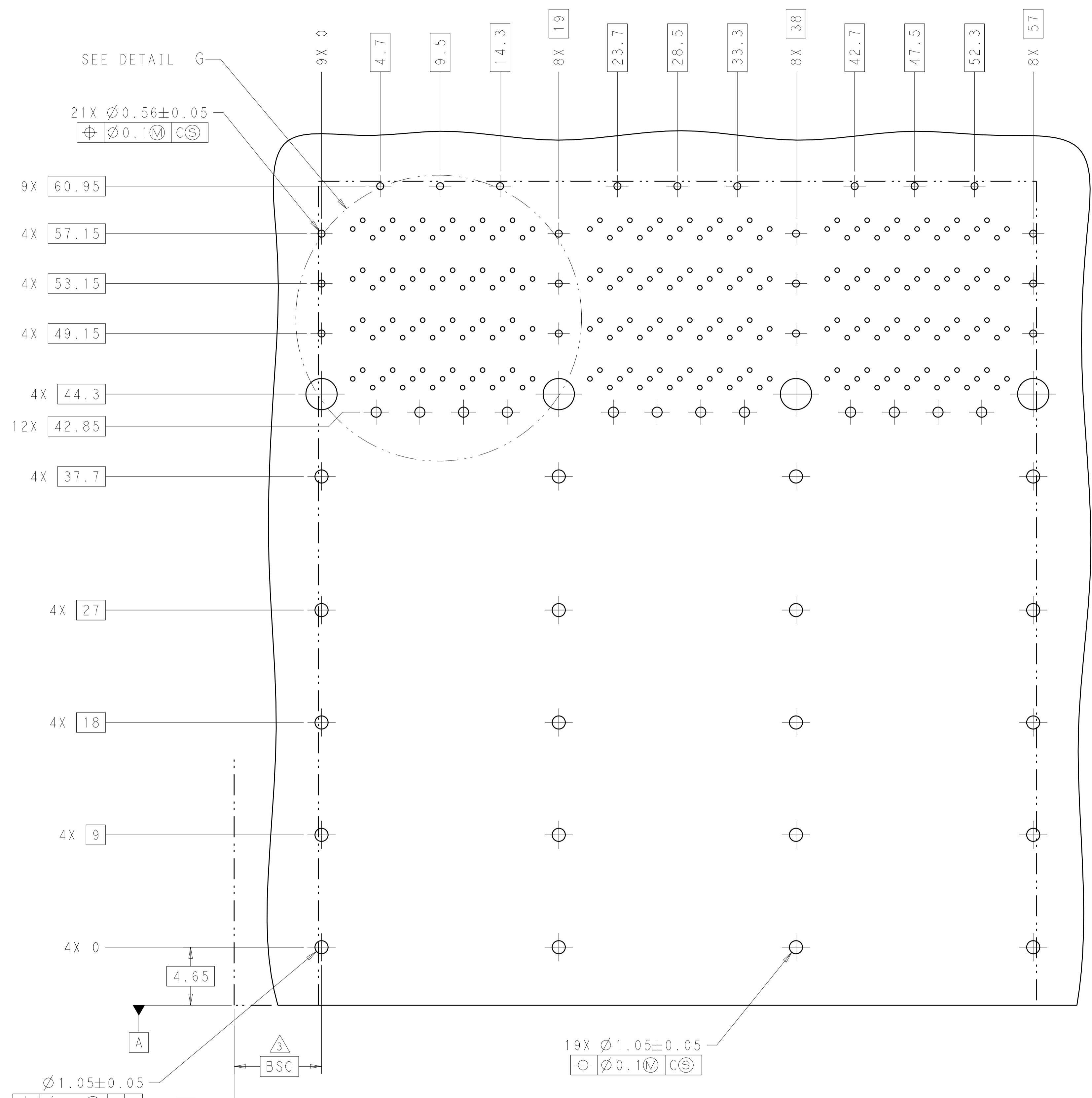
2214565-3 / 2214565-6  
 LEFT LIGHTPIPE INDICATOR  
 POINTING TO LOWER PORT  
 SCALE 3:1



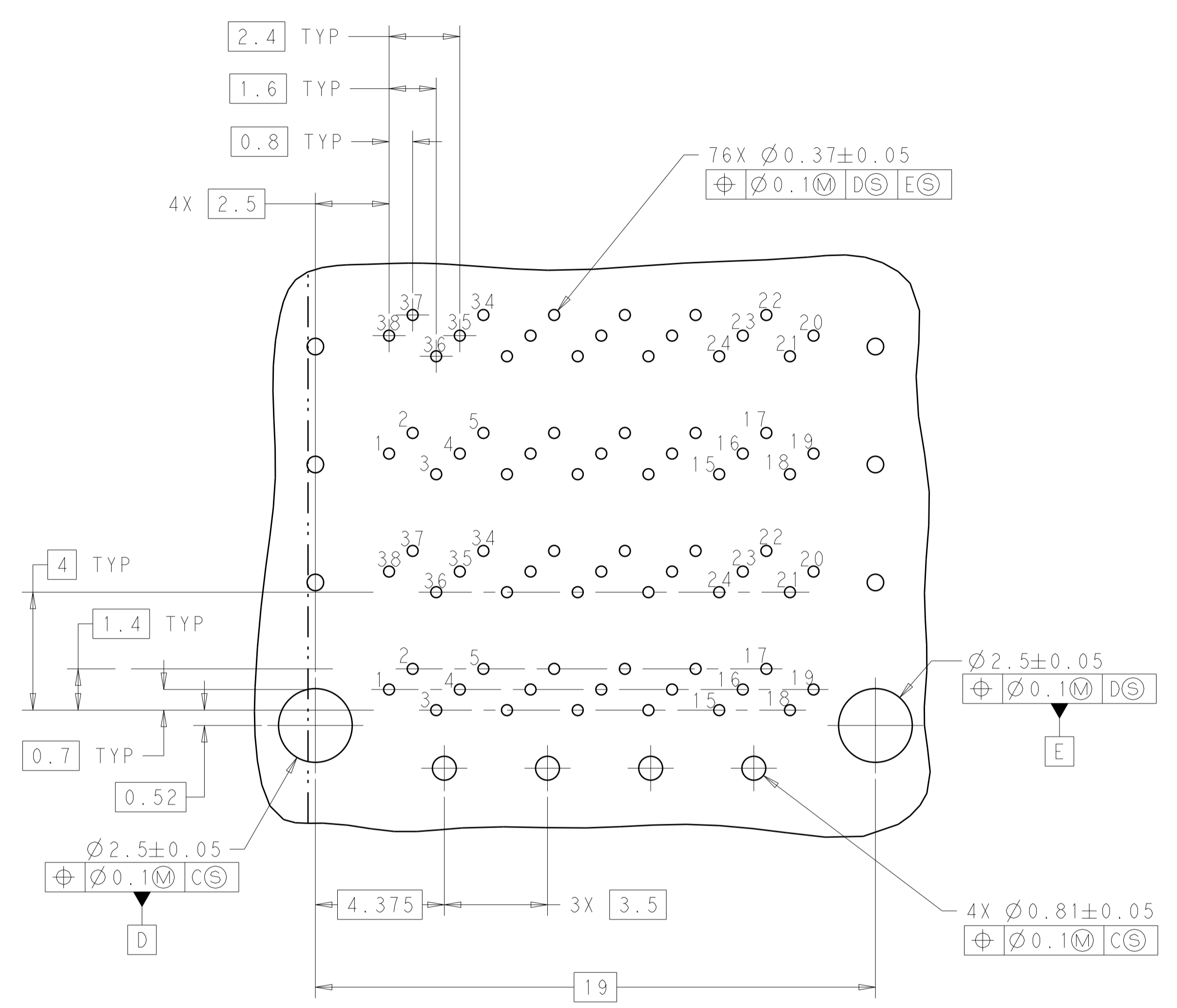
SECTION V-V  
 SCALE 3:1

THIS DRAWING IS A CONTROLLED DOCUMENT. DIMENSIONING AND TOLERANCING PER: ASME Y14.5M-2009		DWN: M. SHIRK 27FEB2012 CHK: D. SZCZESNY 27FEB2012 APVD: - PRODUCT SPEC: 108-60102 APPLICATION SPEC: 114-60015 WEIGHT: - CUSTOMER DRAWING	<b>STE</b> TE Connectivity NAME: CAGE AND CONNECTOR ASSEMBLY, WITH EMI GASKET, 2X3, ZQSFP+ STACKED SIZE: 114-60015 CAGE CODE: A100779 DRAWING NO: C=2214565 RESTRICTED TO: - SCALE: 4:1 SHEET 2 OF 4 REV A
DIMENSIONS:	TOLERANCES UNLESS OTHERWISE SPECIFIED:		
mm	0 PLC ± 1 PLC ±0.25 2 PLC ±0.15 3 PLC ± 4 PLC ± ANGLES ±		
MATERIAL:	FINISH:		
SEE NOTE 1	SEE NOTE 2		

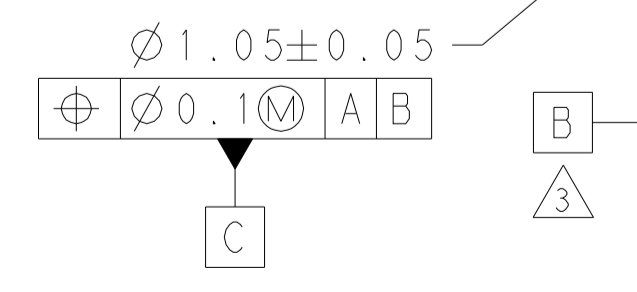
REVISONS		DATE	OWN	APVD
P. LTH	DESCRIPTION			
-	SEE SHEET 1	-	-	-



RECOMMENDED PC BOARD LAYOUT  
 COMPONENT SIDE OF BOARD  
 PCB TOLERANCE: ±0.05  
 SCALE 5:1

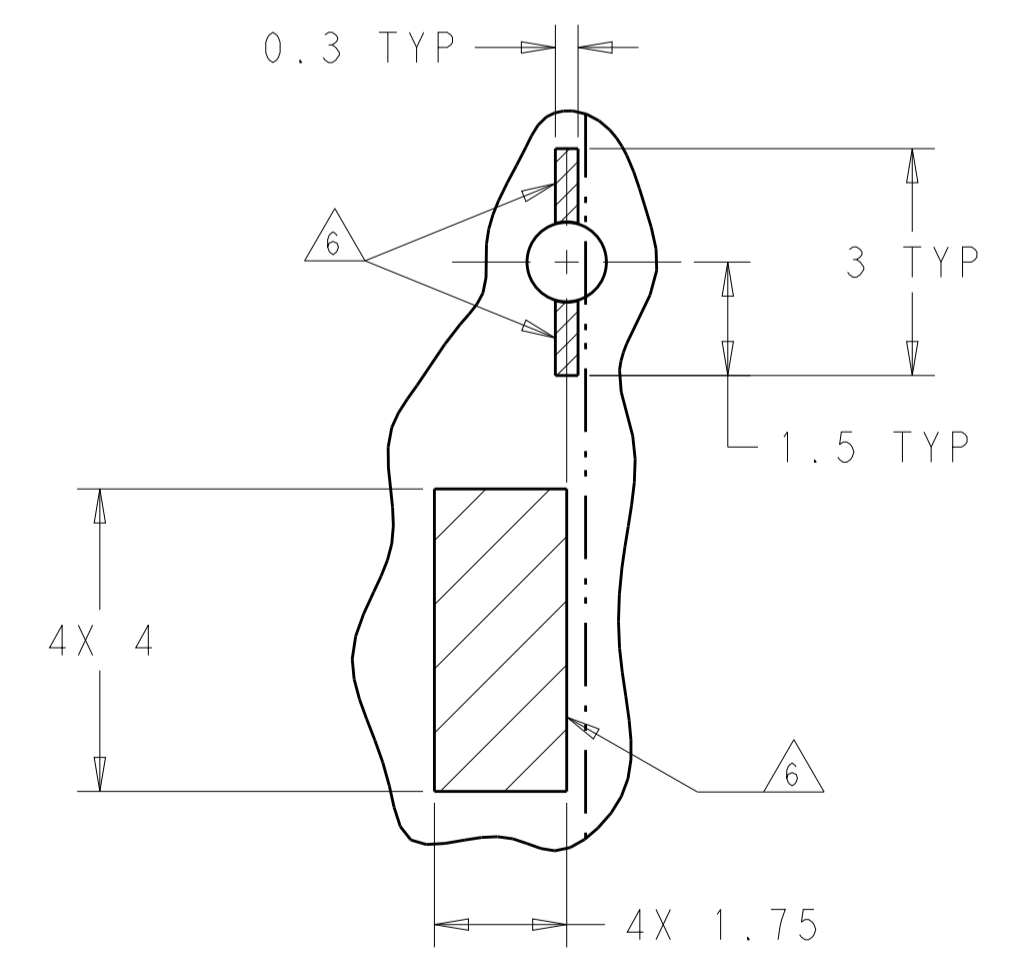
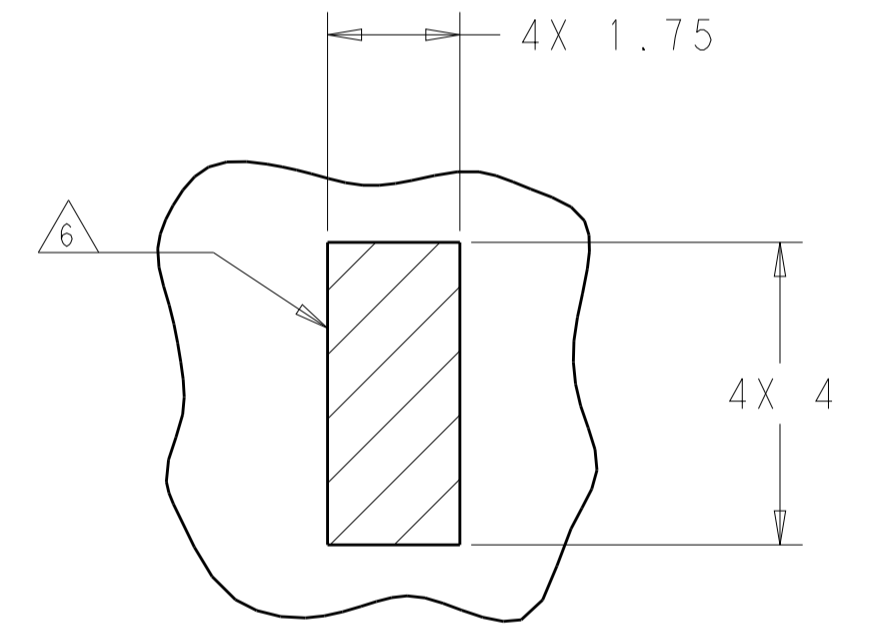
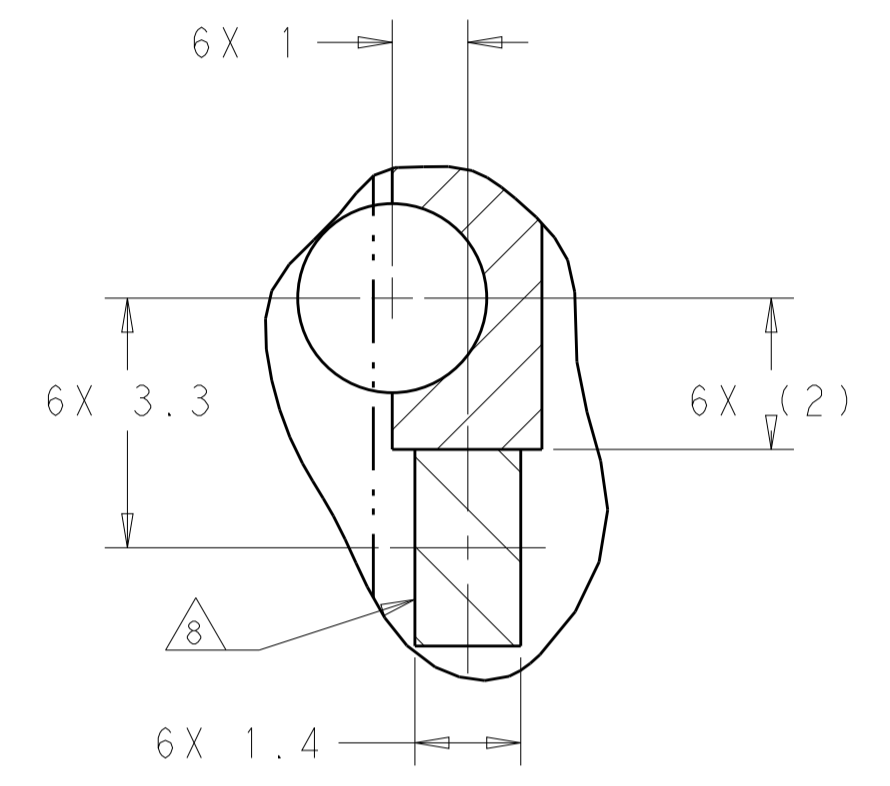
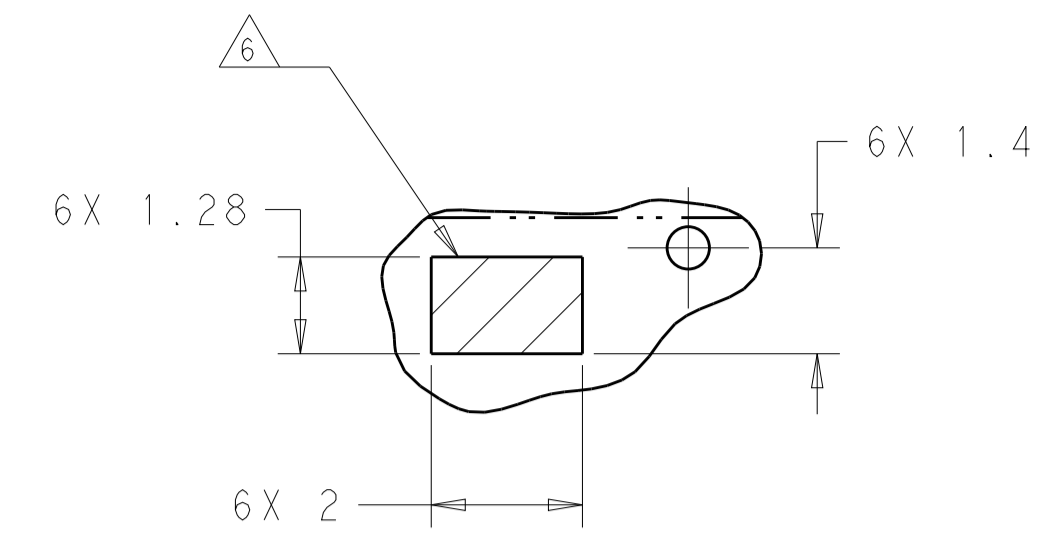
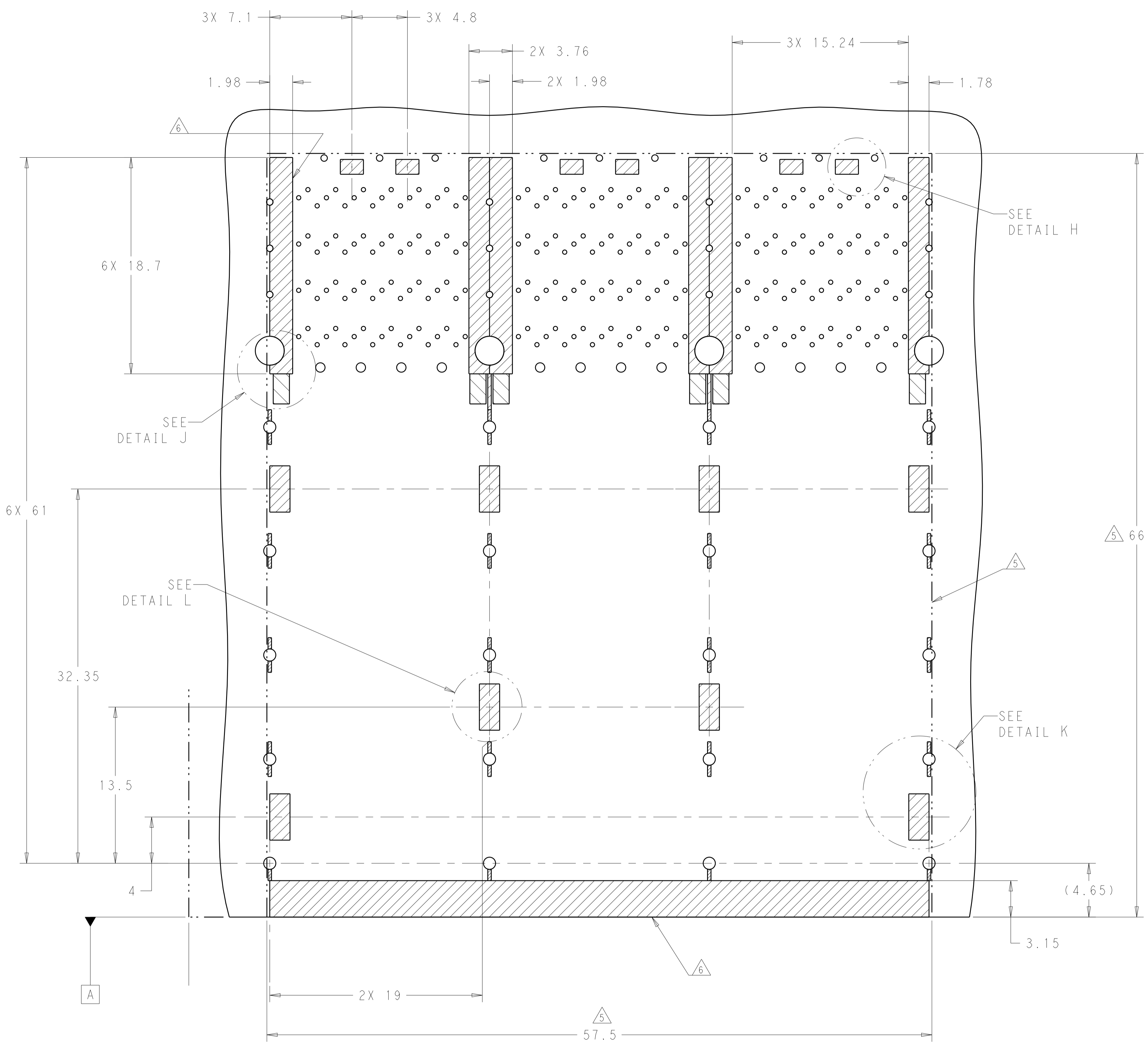


DETAIL G  
 3X INDIVIDUALLY  
 SCALE 8:1



THIS DRAWING IS A CONTROLLED DOCUMENT. DIMENSIONING AND TOLERANCING PER: ASME Y14.5M-2009		OWN: M. SHIRK 27FEB2012 CHK: D. SZCZESNY 27FEB2012	TE Connectivity	
DIMENSIONS: mm	TOLERANCES UNLESS OTHERWISE SPECIFIED:	APVD: -	NAME: CAGE AND CONNECTOR ASSEMBLY, WITH EMI GASKET, 2X3, ZQSFP+ STACKED	RESTRICTED TO: -
0 PLC ± 1 PLC ±0.25 2 PLC ±0.15 3 PLC ± 4 PLC ± ANGLES ±	0 PLC ± 1 PLC ±0.25 2 PLC ±0.15 3 PLC ± 4 PLC ± ANGLES ±	PRODUCT SPEC: 108-60102	SIZE: A100779	CAGE CODE: 2214565
MATERIAL: SEE NOTE 1	FINISH: SEE NOTE 2	APPLICATION SPEC: 114-60015	WEIGHT: -	CUSTOMER DRAWING
		SCALE: 4:1	SHEET: 3 OF 4	REV: A

LOC		DIST		REVISIONS			
P.	LTN.	DESCRIPTION	DATE	DWN.	APVD.		
-	-	SEE SHEET 1	-	-	-	-	-



KEEPOUT AREAS  
COMPONENT SIDE OF BOARD  
SCALE 5:1

THIS PRODUCT HAS NOT COMPLETED VALIDATION AND QUALIFICATION TESTING

THIS DRAWING IS A CONTROLLED DOCUMENT. DIMENSIONING AND TOLERANCING PER ASME Y14.5M-2009.		DWN: M. SHIRK 27FEB2012 CHK: D. SZCZESNY 27FEB2012	TE Connectivity	
DIMENSIONS: mm	TOLERANCES UNLESS OTHERWISE SPECIFIED:	APVD: -	NAME: CAGE AND CONNECTOR ASSEMBLY, WITH EMI GASKET, 2X3, ZQSP+ STACKED	RESTRICTED TO: -
0 PLC ±0.25	1 PLC ±0.15	PRODUCT SPEC: 108-60102	SIZE: 114-60015	SCALE: 4:1
2 PLC ±0.15	3 PLC ±0.15	APPLICATION SPEC: -	WEIGHT: -	SHEET 4 OF 4
4 PLC ±0.15	ANGLES ±0.5	FINISH: -	CUSTOMER DRAWING	REV: A
MATERIAL: -	FINISH: -	SEE NOTE 1	SEE NOTE 2	

## X-ON Electronics

Largest Supplier of Electrical and Electronic Components

*Click to view similar products for [I/O Connectors](#) category:*

*Click to view products by [TE Connectivity](#) manufacturer:*

Other Similar products are found below :

[571763P](#) [58098-0628](#) [72.250.1628.2](#) [72.250.2428.2](#) [74720-0505](#) [76.350.0729.0](#) [76871-1403](#) [FCN-244F080-G/1](#) [FCN-260A9920](#) [PCR-E36PM](#) [PCS-XE26MA+](#) [G38A71314B](#) [1571250010](#) [157-22500-3](#) [MS3471L14-19P L/C](#) [172501-4002](#) [172501-6002](#) [FCN-260C008-A/L0](#) [FCN-260C024-AL0](#) [FCN-261Z008](#) [2000314-1](#) [200331-1](#) [PCR-E36FC+](#) [PCS-E28FS+](#) [PCS-XE26SLFD+](#) [PCS-XE26SLFDT+](#) [G730VID08BDC24](#) [U90B2054081210](#) [38113800006](#) [DP3AR020WQ1R200](#) [Z4.102.0680.0](#) [500-1040](#) [500-1052](#) [500-1054](#) [ZP-4008-66L](#) [0709821002](#) [DX40-20P\(55\)](#) [5554841-1](#) [MS3474W18-8P-LC\\*](#) [U90B3054061110](#) [U65-E04-4020](#) [ZPF000000000097891](#) [747360449](#) [10099439-003C-TRLF](#) [10137239-0021LF](#) [E9320-001-01](#) [10137239-0011LF](#) [70289-001LF](#) [70.060.1028.0](#) [109029-ZZ](#)