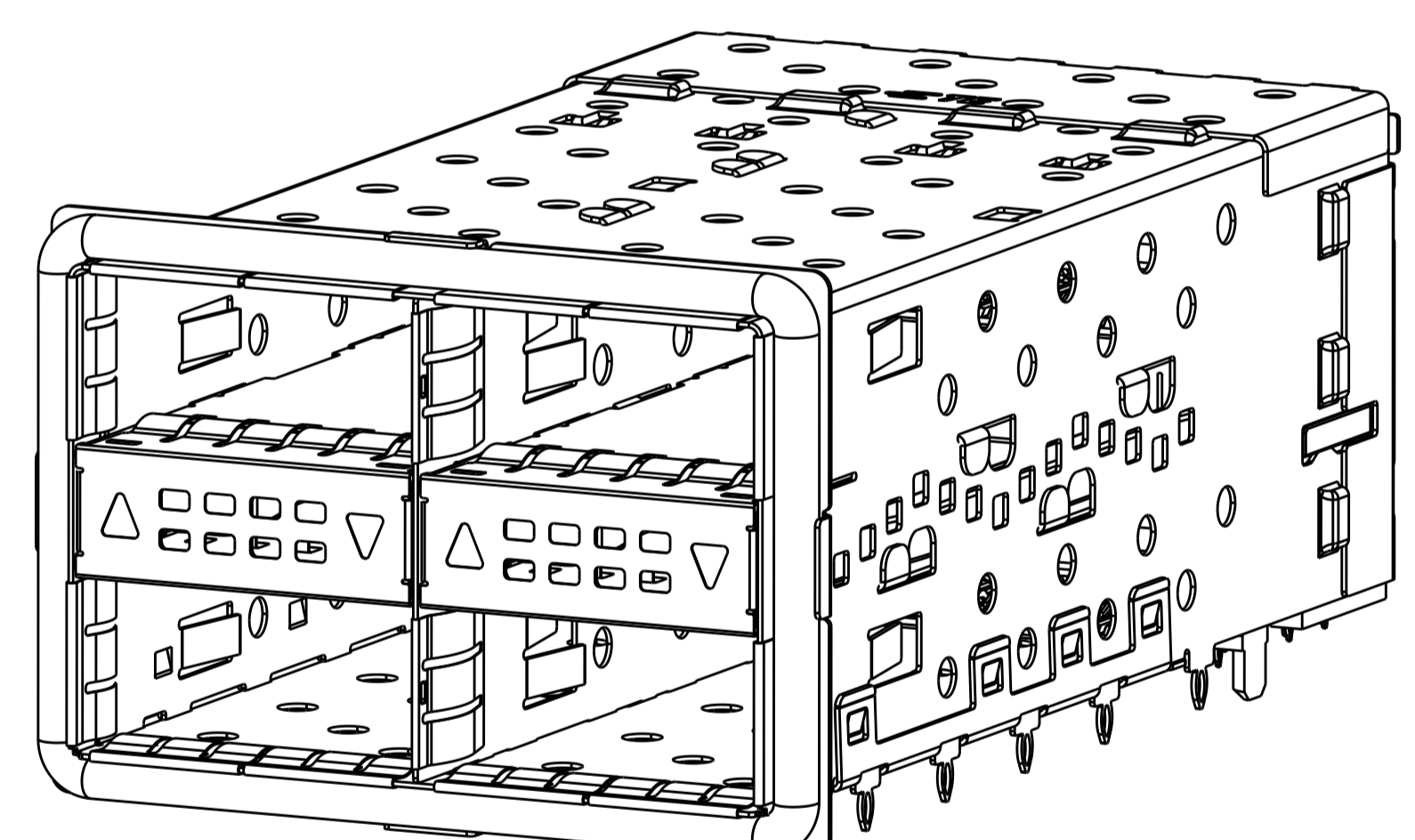
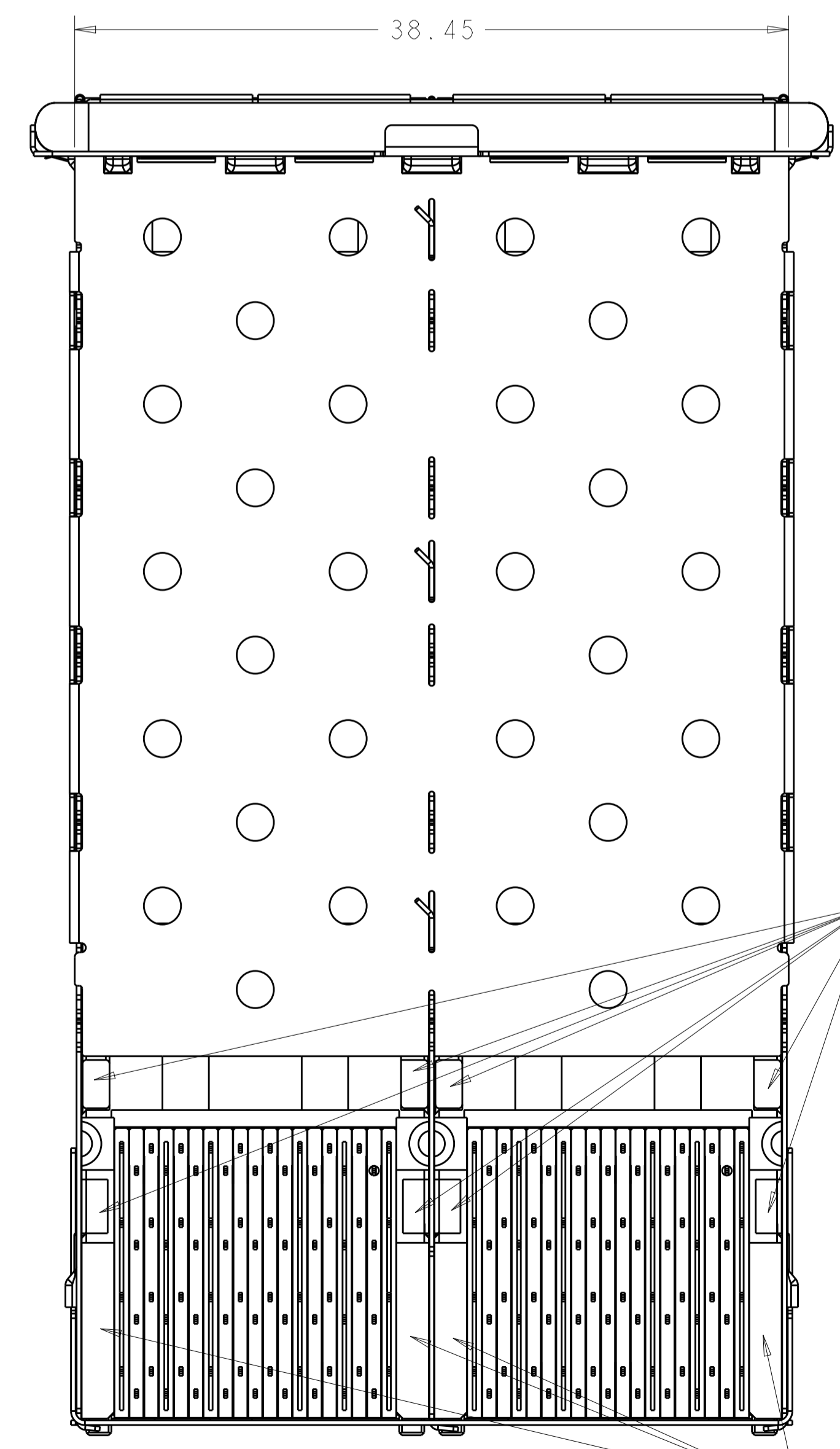
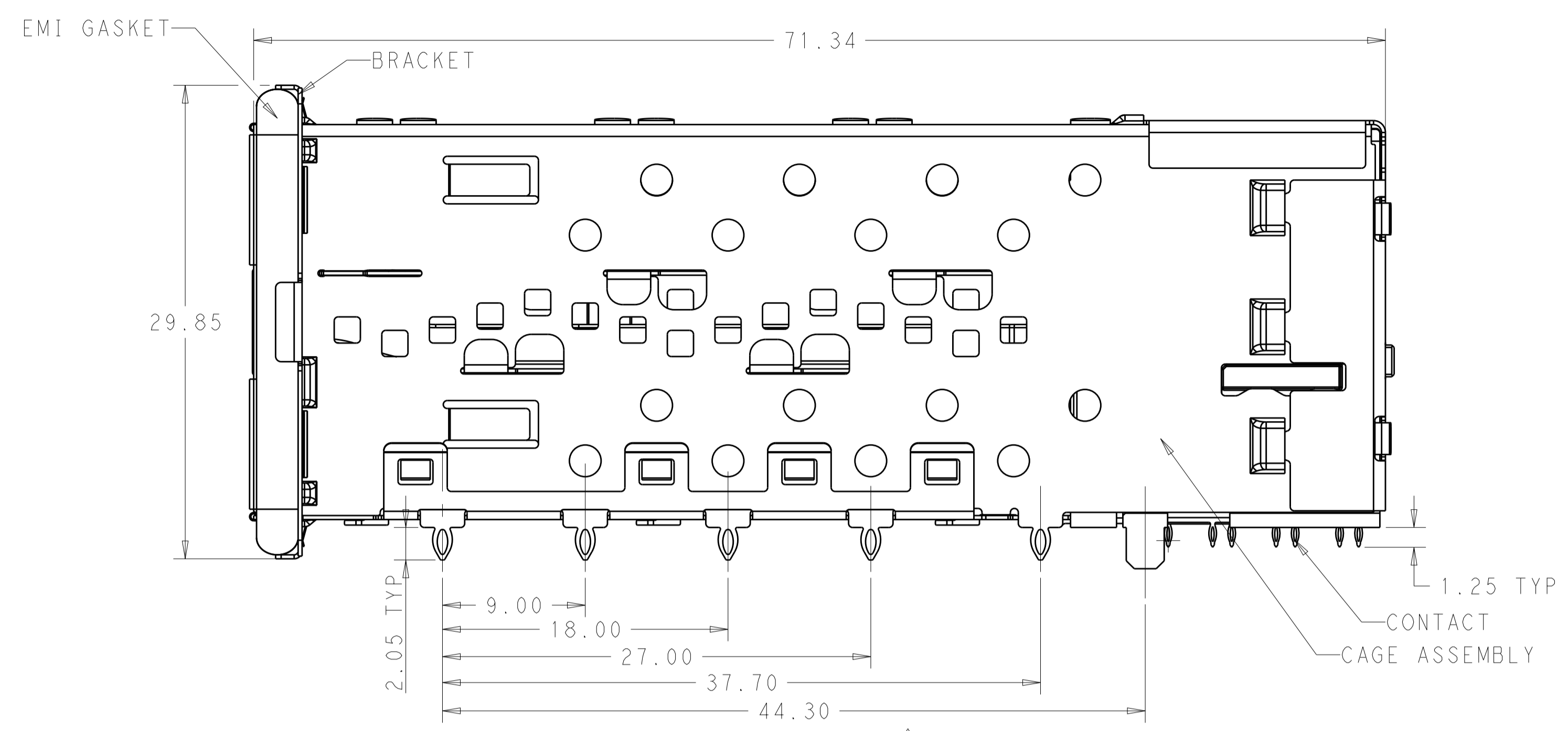
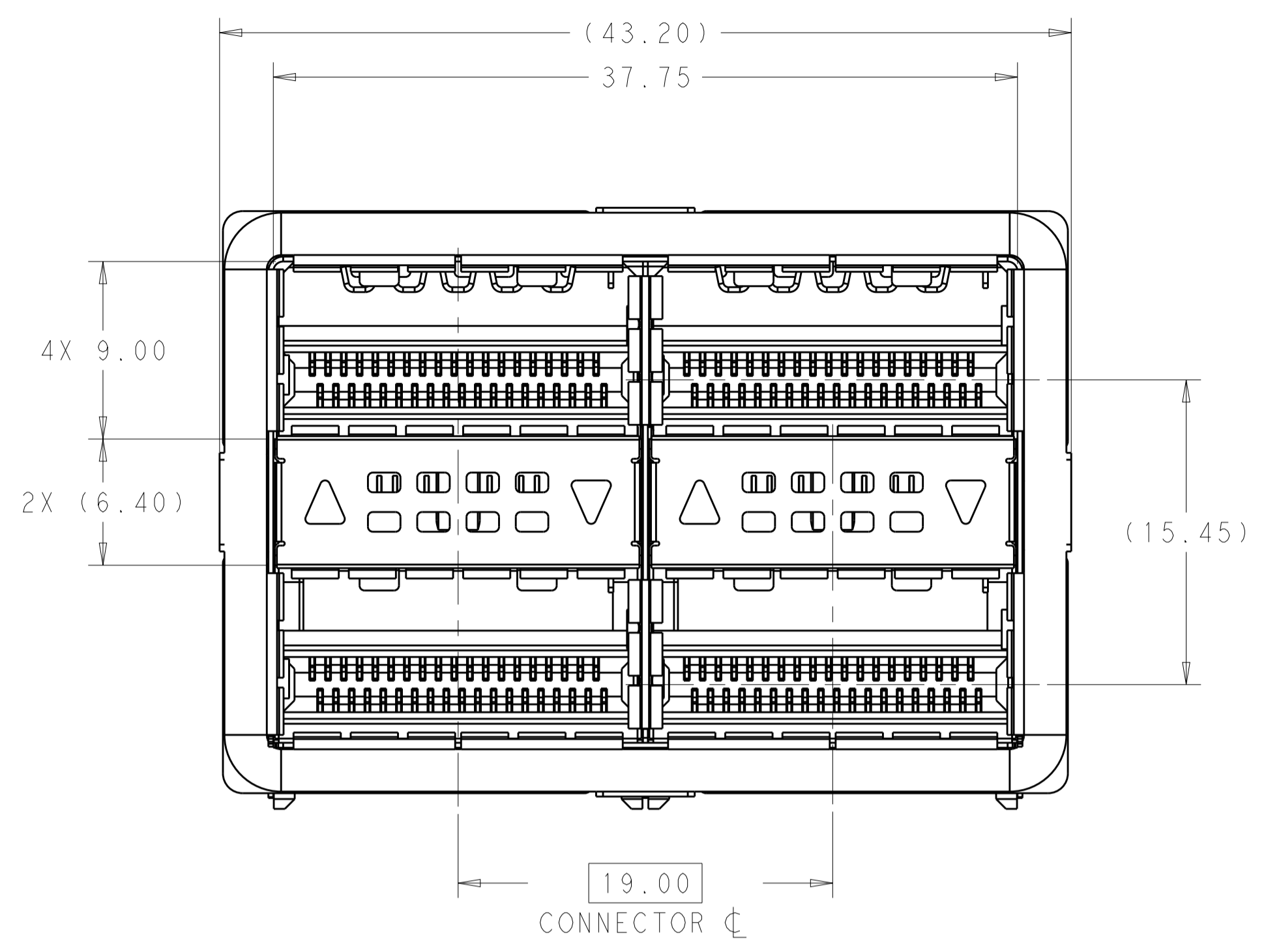


LOC	DIST	REVISIONS					
GP	00	P	LTN	DESCRIPTION	DATE	DWN	APVD
		A		RELEASE PER ECO-16-001264	1FEB2016	RG	SH
		B		REVISE PER ECO-17-008876	3AUG2017	RG	SH



SCALE 3:1

- 1 MATERIAL:
 CAGE ASSEMBLY- STAINLESS STEEL.
 BRACKET- STAINLESS STEEL.
 EMI GASKET- NIKCEL-GRAPHITE FILLED SILICONE.
 HOUSING- BLACK LCP,UL 94V-0 RATED
 CHICKLET- BLACK LCP,UL 94V-0 RATED
 LIGHT PIPE- POLYCARBONATE, CLEAR, UL 94V-0 RATED
 CONTACT- COPPER ALLOY.
 GASKET - CONDUCTIVE RUBBER, UL 94V-0 RATED
- 2 DATUM AND BASIC DIMENSIONS ESTABLISHED BY CUSTOMER.
- 3. MINIMUM PCB THICKNESS OF 1.57mm.
- 4 CONTACT FINISH- CONFORMS TO THE REQUIREMENTS OF TE PRODUCT SPECIFICATION 108-127010, BASED ON EIA/ECA-364-1000.01A, (CONTROLLED ENVIRONMENT APPLICATIONS) ON MATING INTERFACE, TIN ON NEEDLE EYE.
- 5 THE ENTIRE AREA OF THE CONNECTOR FOOTPRINT, INDICATED BY THE DASHED LINE, TO BE CONSIDERED THE KEEPOUT AREA FOR COMPONENTS AND SIGNAL TRACES. TOP SIDE ONLY. TOP SIDE TRACES ALLOWED WITHIN CONNECTOR HOLE PATTERN.
- 6 LIGHT PIPE PAD LAYOUT IS FOR 0805 LOW PROFILE LED PACKAGE WITH A HEIGHT OF 0.8mm.
- 7. CAGE FINISH-1.25 μm MINIMUM NICKEL PLATING.
- 8 KEEP THE GAP BETWEEN LEDS 0.5mm MINIMUM.

BOTH LIGHT PIPES WITH DOWN DIRECTION	1-2214574-0
3 ROUND VENT HOLES	2214574-9
BOTH LIGHT PIPES	2214574-8
BOTH LIGHT PIPES	2214574-7
INNER LIGHT PIPES	2214574-6
OUTER LIGHT PIPES	2214574-5
NO LIGHT PIPES	2214574-4
BOTH LIGHT PIPES	2214574-3
INNER LIGHT PIPES	2214574-2
OUTER LIGHT PIPES	2214574-1
DESCRIPTION	PART NUMBER

THIS DRAWING IS A CONTROLLED DOCUMENT.

OWN: ROBERT GAN 20APR2013
 CH: JASON YANG 20APR2013
 APVD: ALEX CAI 20APR2013

TE Connectivity

CAGE AND PT CONNECTOR ASSEMBLY WITH EMI GASKET, PRESS FIT, 2X2, STACKED QSFP+

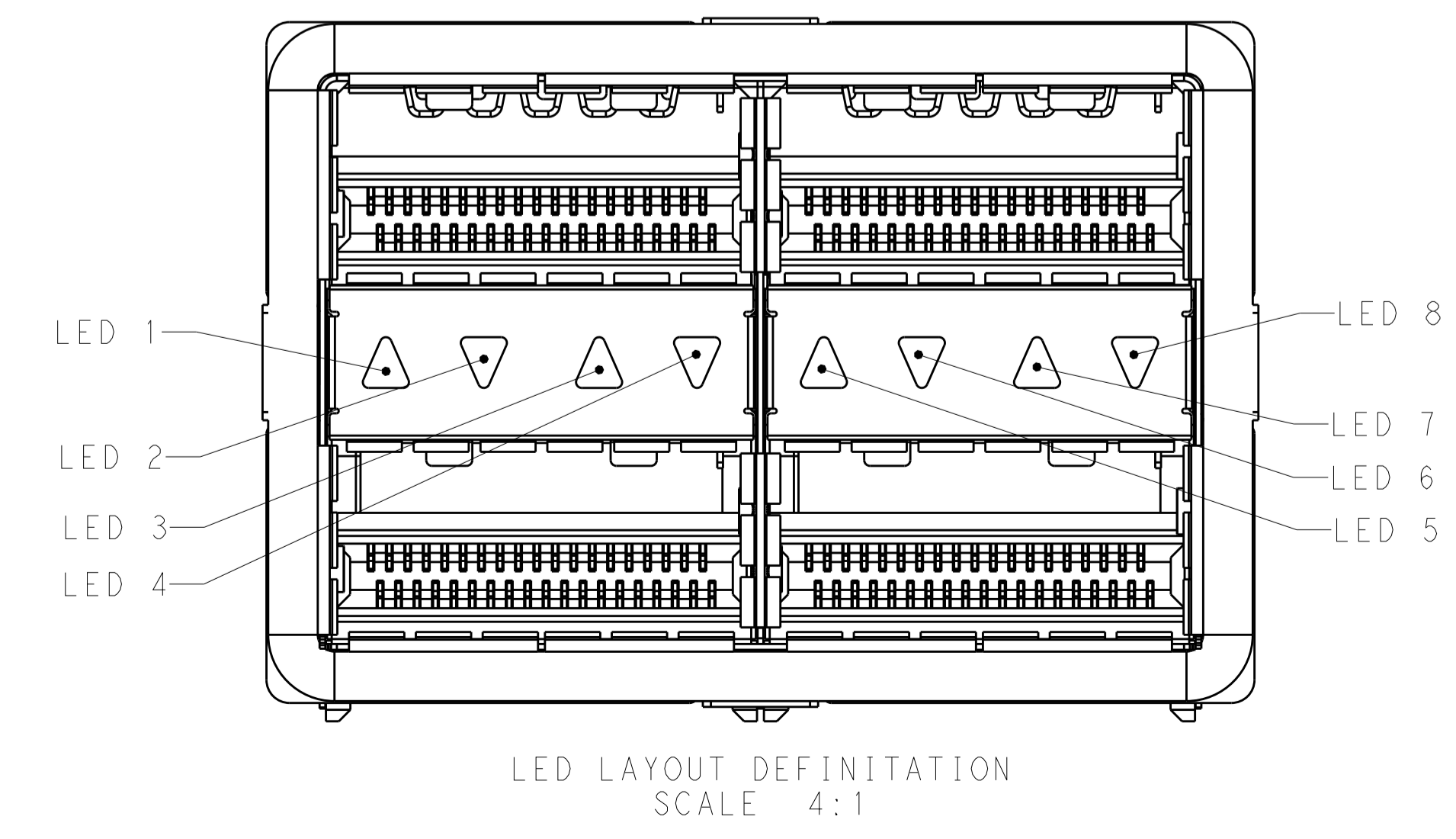
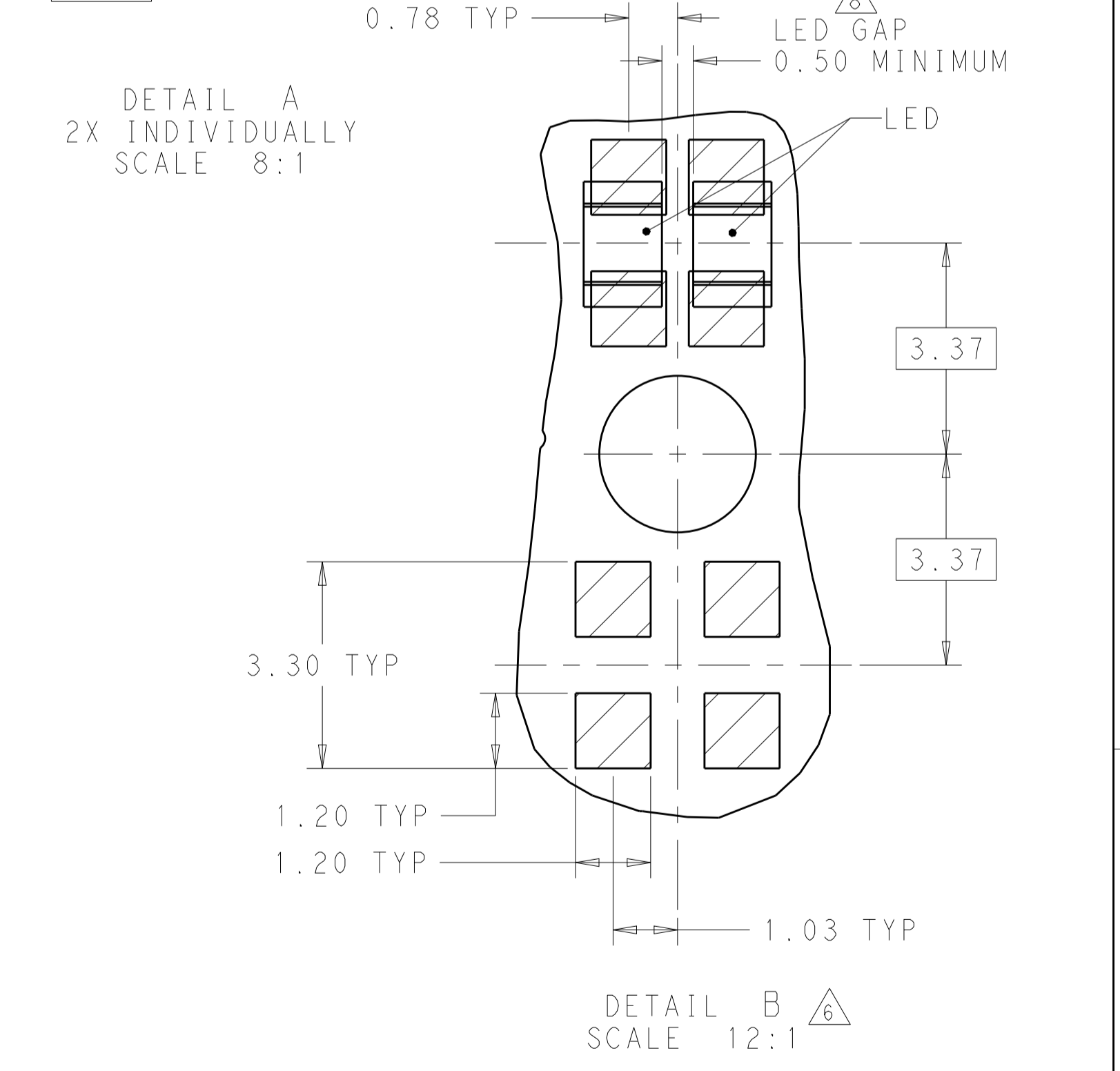
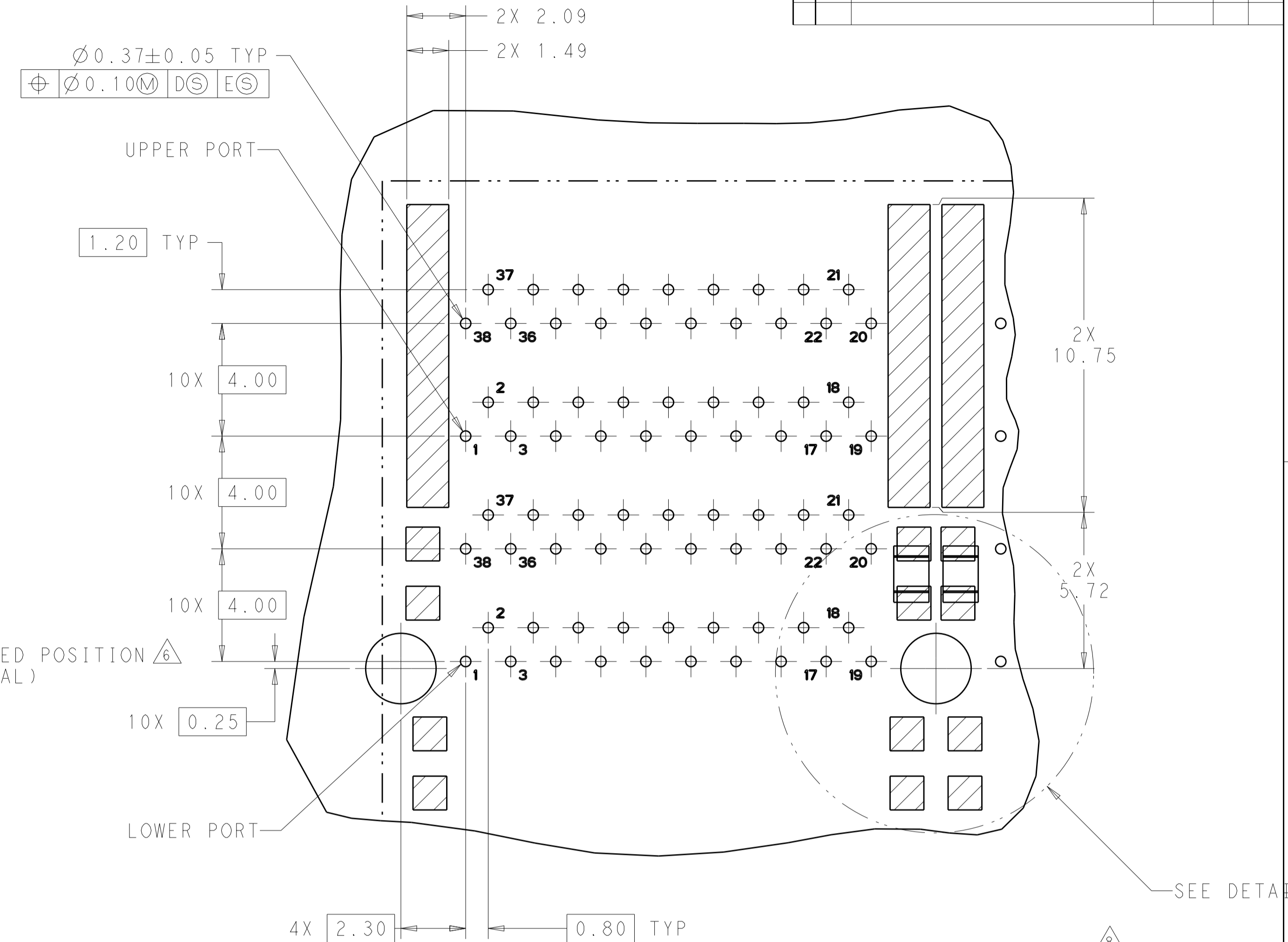
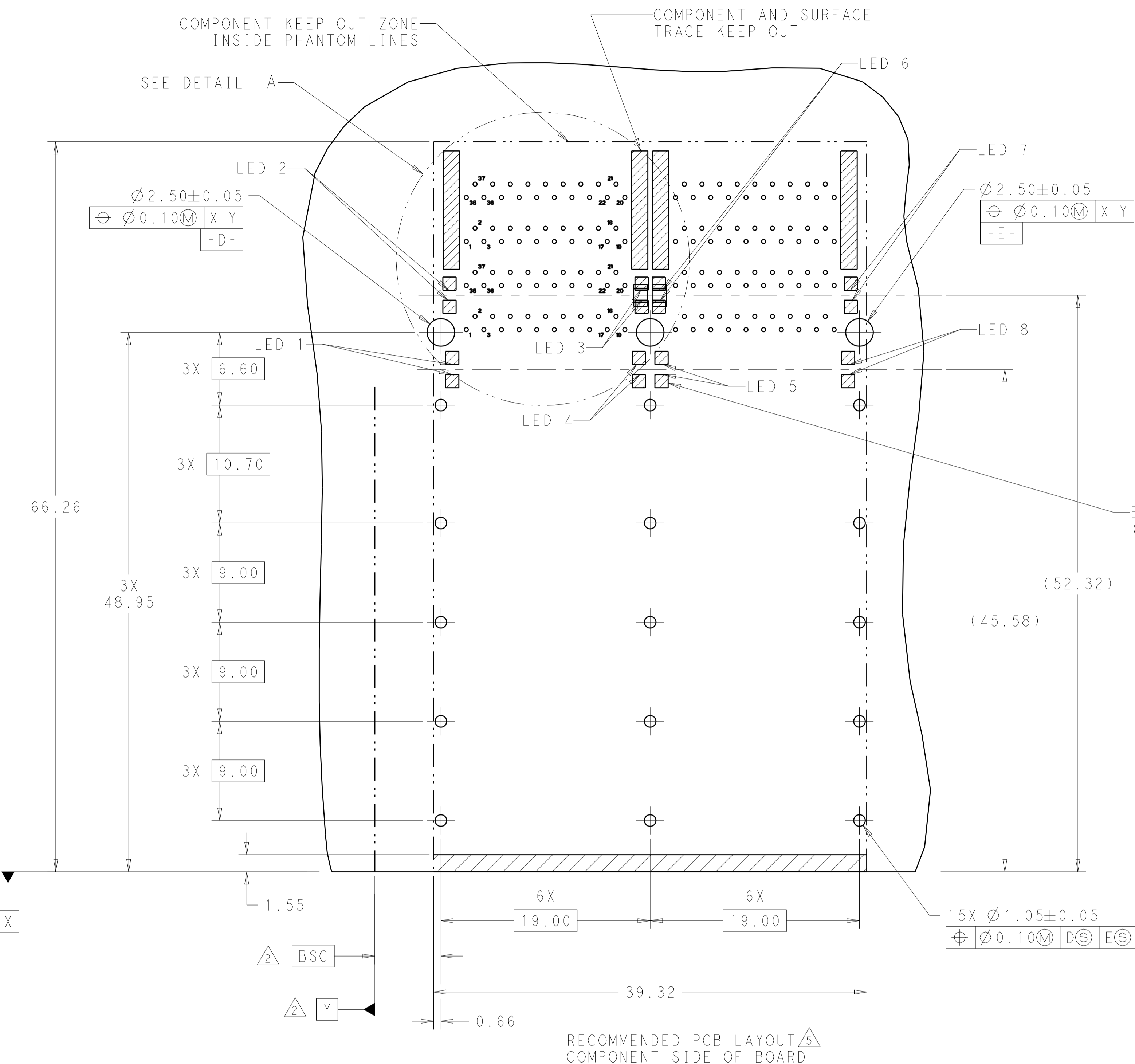
PRODUCT SPEC: 108-127010
 APPLICATION SPEC: 114-32020

SIZE: A1
 CAGE CODE: 00779
 DRAWING NO: 2214574

RESTRICTED TO: CUSTOMER DRAWING

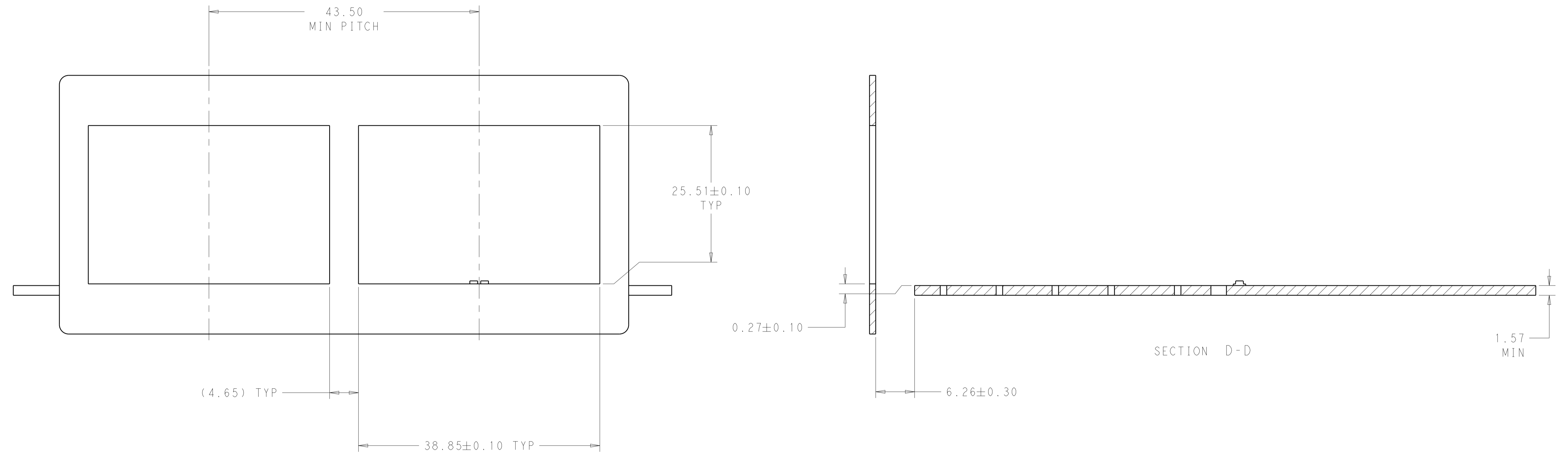
SCALE: 4:1 SHEET 1 OF 4 REV B

LOC		DIST		REVISIONS			
GP	00	P	LTN	DESCRIPTION	DATE	DMN	APVD
		-		SEE SHEET 1			



THIS DRAWING IS A CONTROLLED DOCUMENT.		DMN: ROBERT_GAN 20APR2013	TE Connectivity
DIMENSIONS: mm		CHK: JASON YANG 20APR2013	
TOLERANCES UNLESS OTHERWISE SPECIFIED:		APVD: ALEY_CAI 20APR2013	NAME: CAGE AND PT CONNECTOR ASSEMBLY WITH EMI GASKET, PRESS FIT, 2X2, STACKED QSFP+ PRODUCT SPEC: 108-127010 APPLICATION SPEC: 114-32020 SIZE: A1 CAGE CODE: 00779 DRAWING NO: 2214574 RESTRICTED TO: -
0 PLC ±		WEIGHT: 0.0779g	
1 PLC ±0.05		CUSTOMER DRAWING	
2 PLC ±0.05		SCALE: 4:1 SHEET 2 OF 4 REV B	

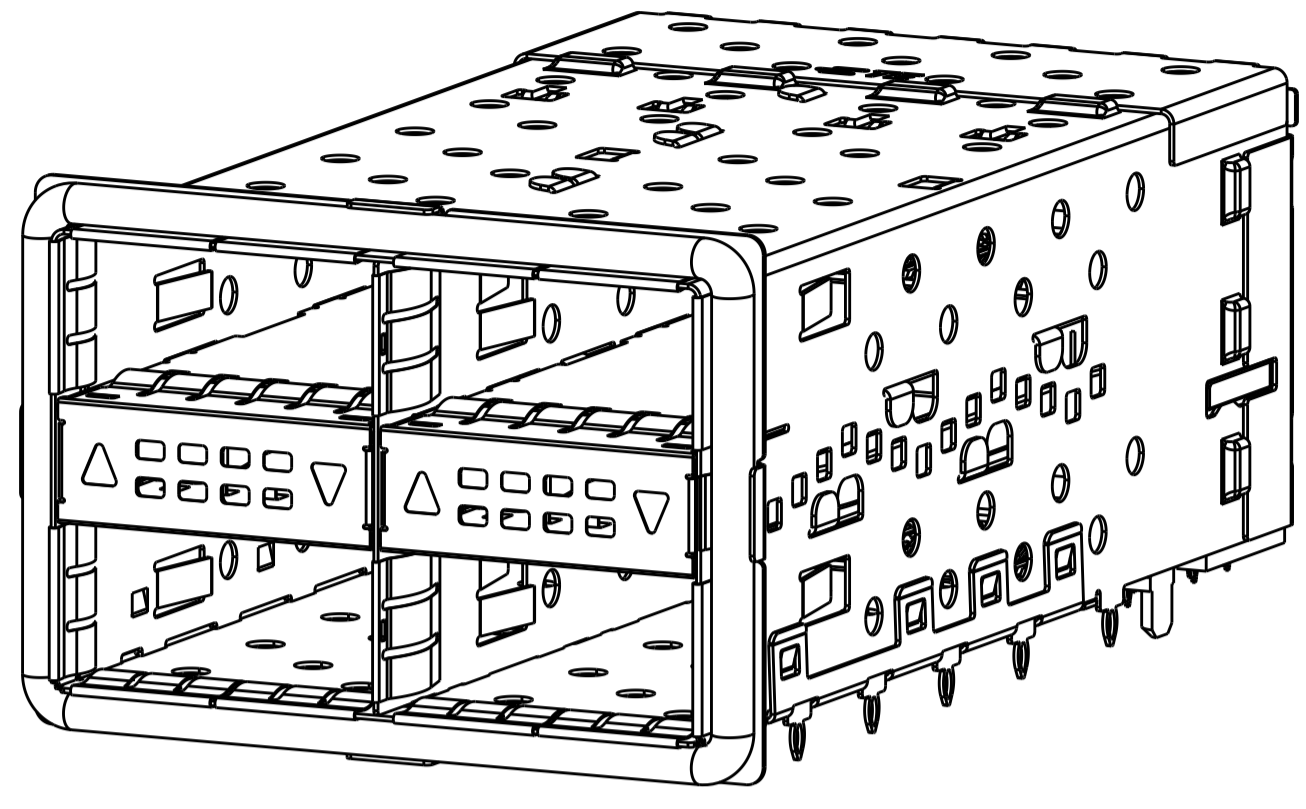
LOC	DIST	REVISIONS					
		P	LTH	DESCRIPTION	DATE	DWN	APVD
GP	00	-	-	SEE SHEET 1	-	-	-



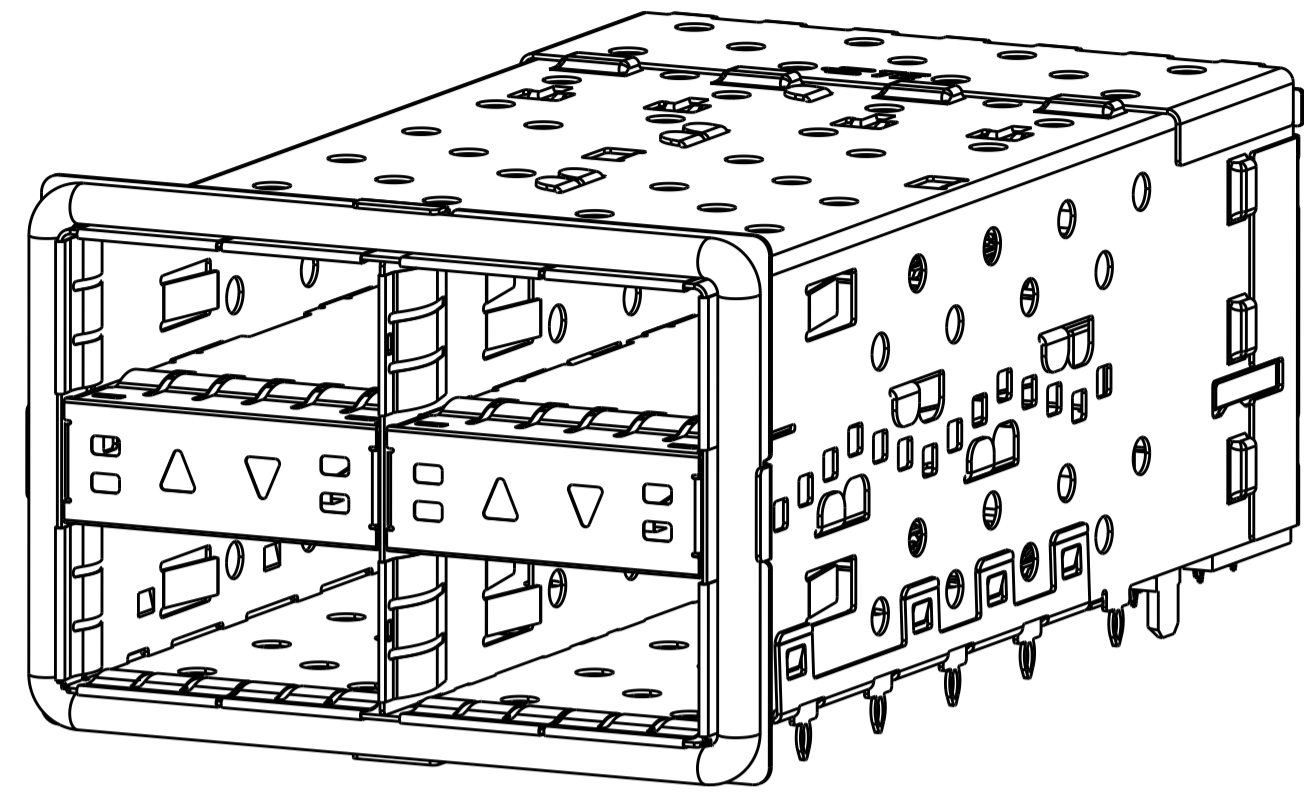
RECOMMENDED PANEL CUTOUT
 AND PC BOARD PANEL POSITION
 SCALE 3:1

THIS DRAWING IS A CONTROLLED DOCUMENT.		OWN	ROBERT GAN	20APR2013			
		CHK	JASON YANG	20APR2013			
		APVD	ALEX CAI	20APR2013	TE CONNECTIVITY CAGE AND PT CONNECTOR ASSEMBLY WITH EMI GASKET, PRESS FIT, 2X2, STACKED QSFP+		
DIMENSIONS:		TOLERANCES UNLESS OTHERWISE SPECIFIED:		NAME			
mm	0 PLC ± .	1 PLC ± 0.25	2 PLC ± 0.15	3 PLC ± .			
	4 PLC ± .	ANGLES ± .	FINISH				
MATERIAL		WEIGHT	114-32020	SIZE	CAGE CODE	DRAWING NO	RESTRICTED TO
				A1	00779	C=2214574	-
CUSTOMER DRAWING		SCALE	4:1	SHEET	3	OF	4
		REV	B				

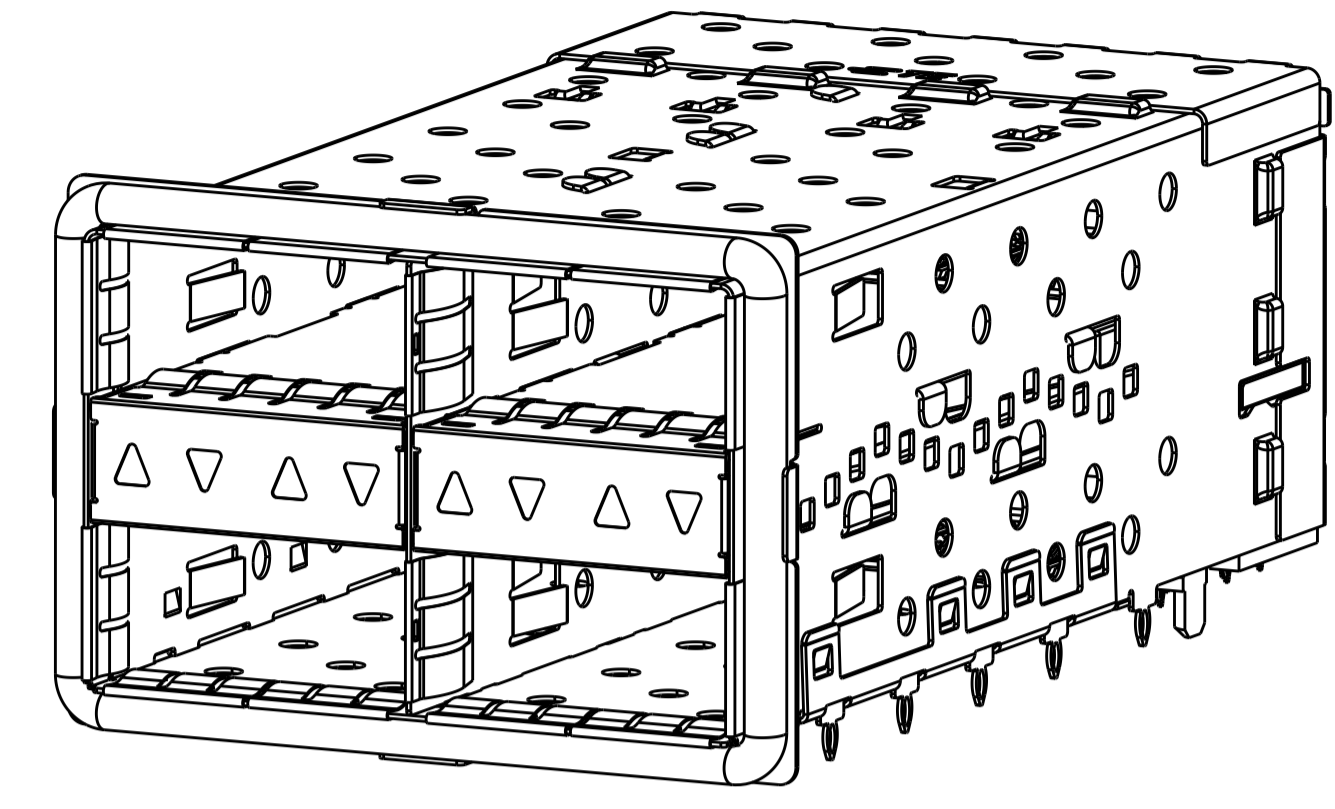
LOC		DIST		REVISIONS			
GP	00	P	LYR	DESCRIPTION	DATE	OWN	APVD
		-		SEE SHEET 1			



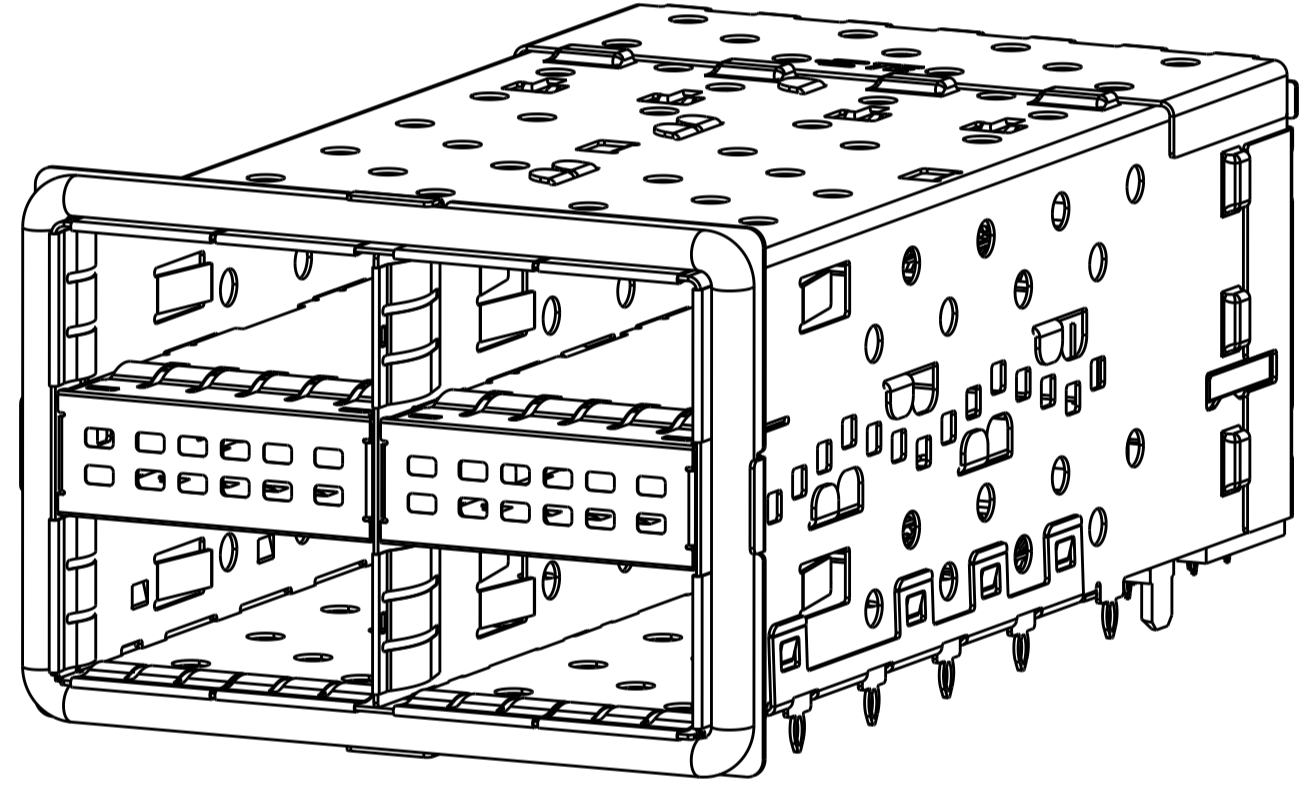
2214574-1



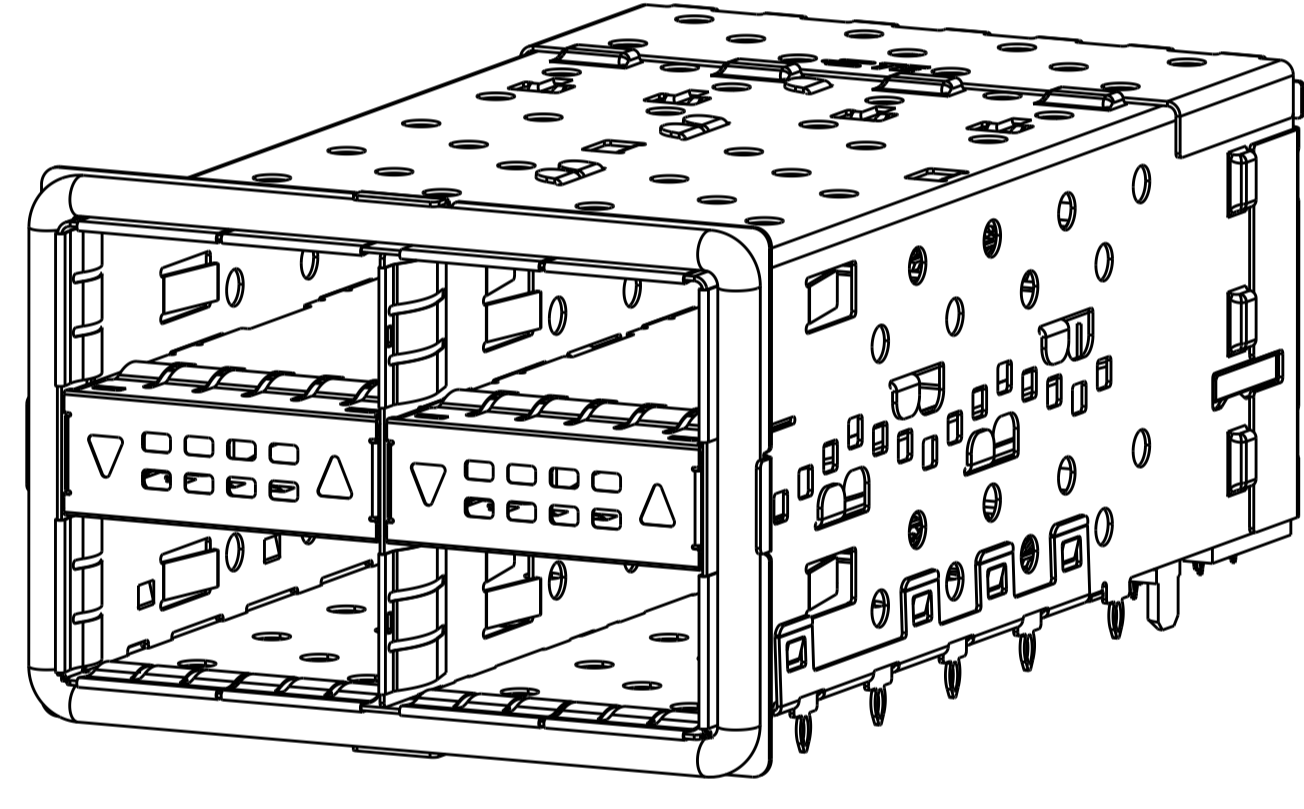
2214574-2



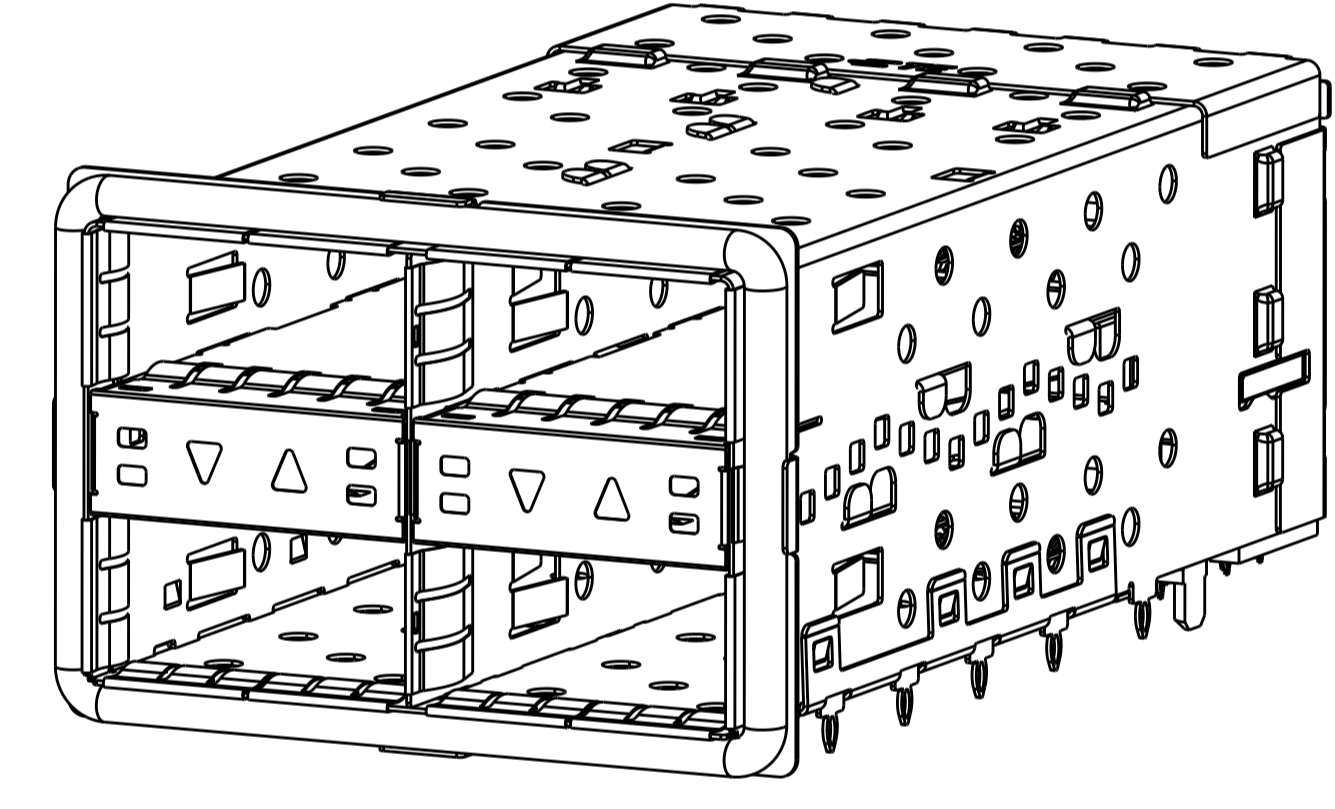
2214574-3



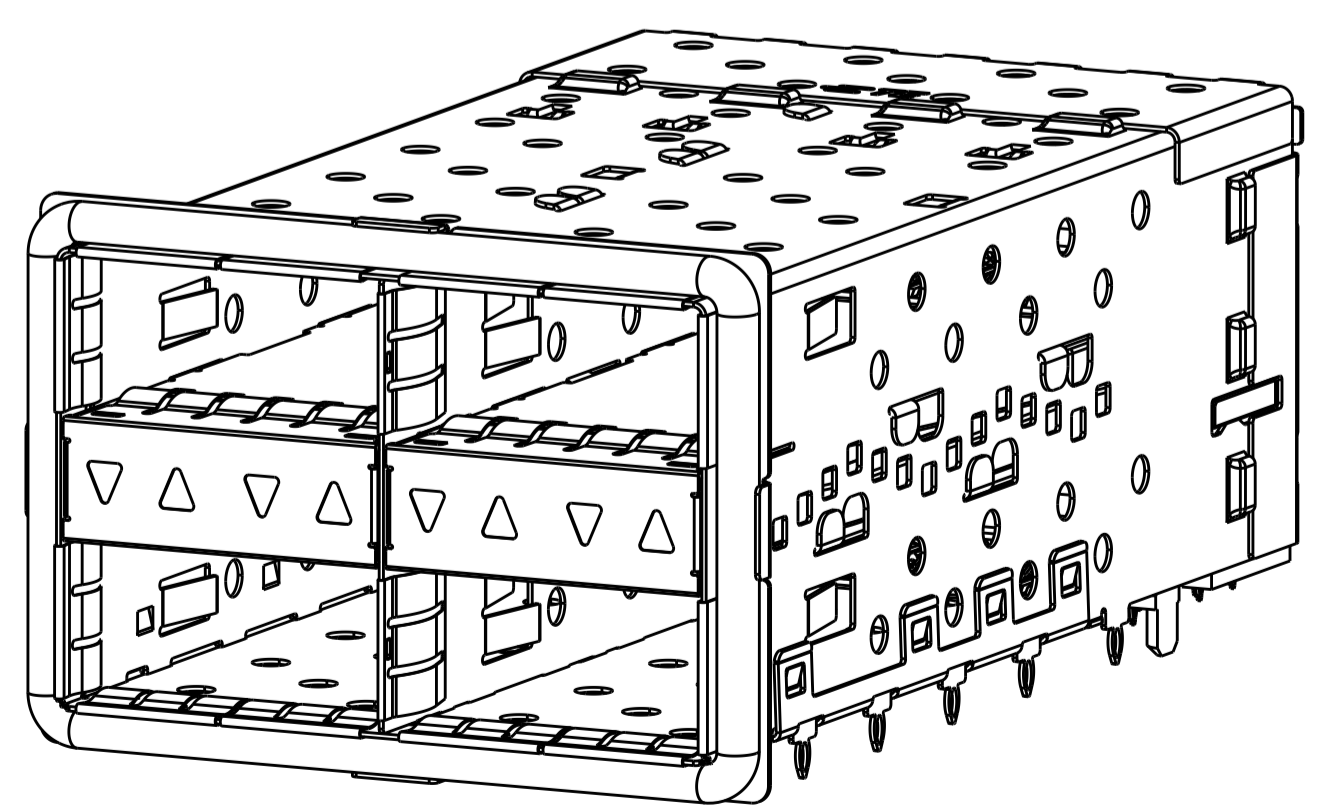
2214574-4



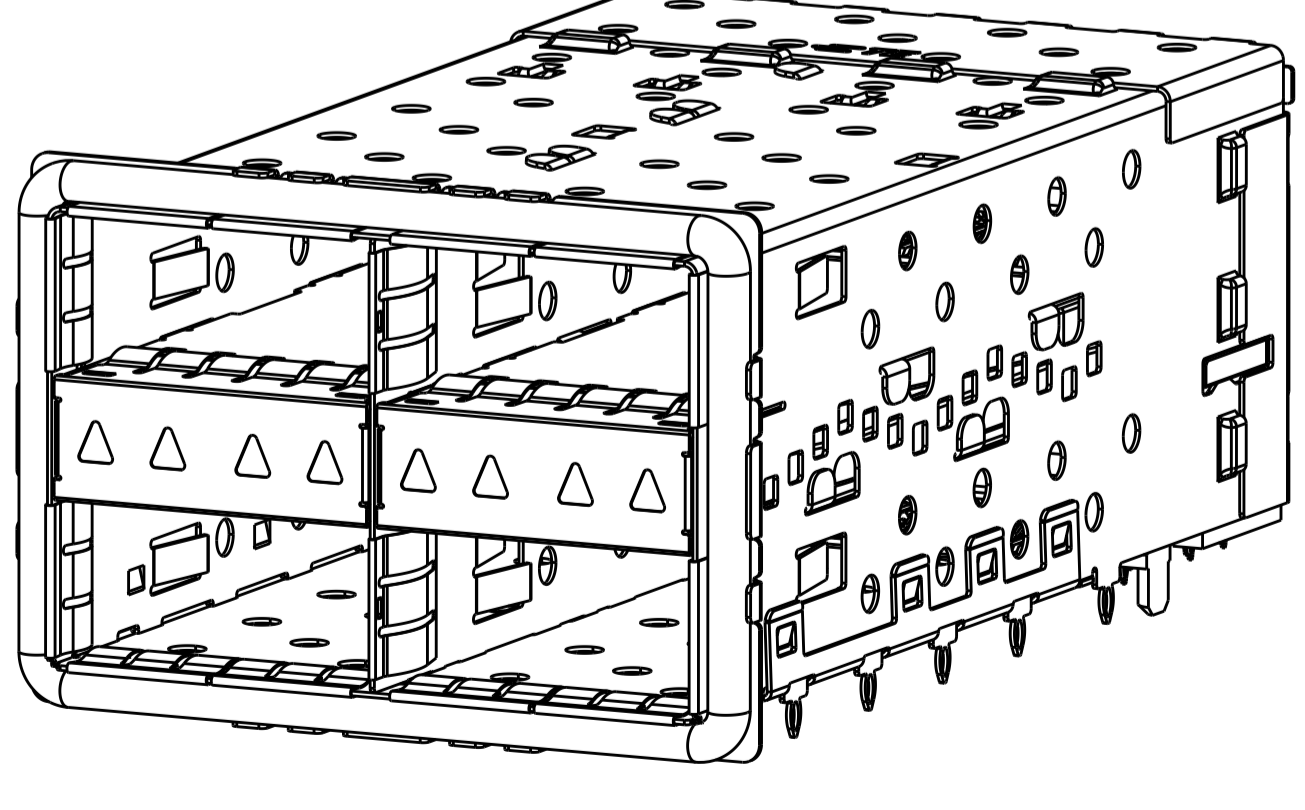
2214574-5



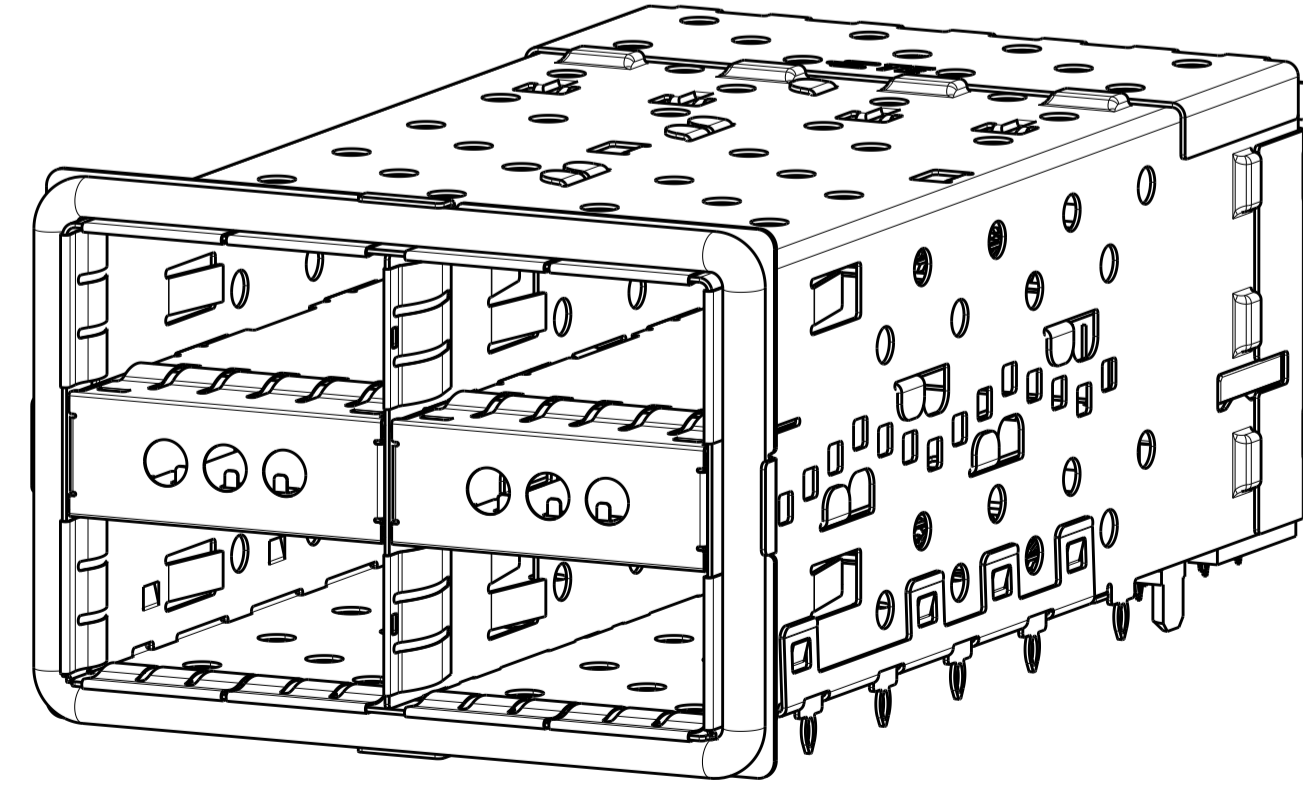
2214574-6



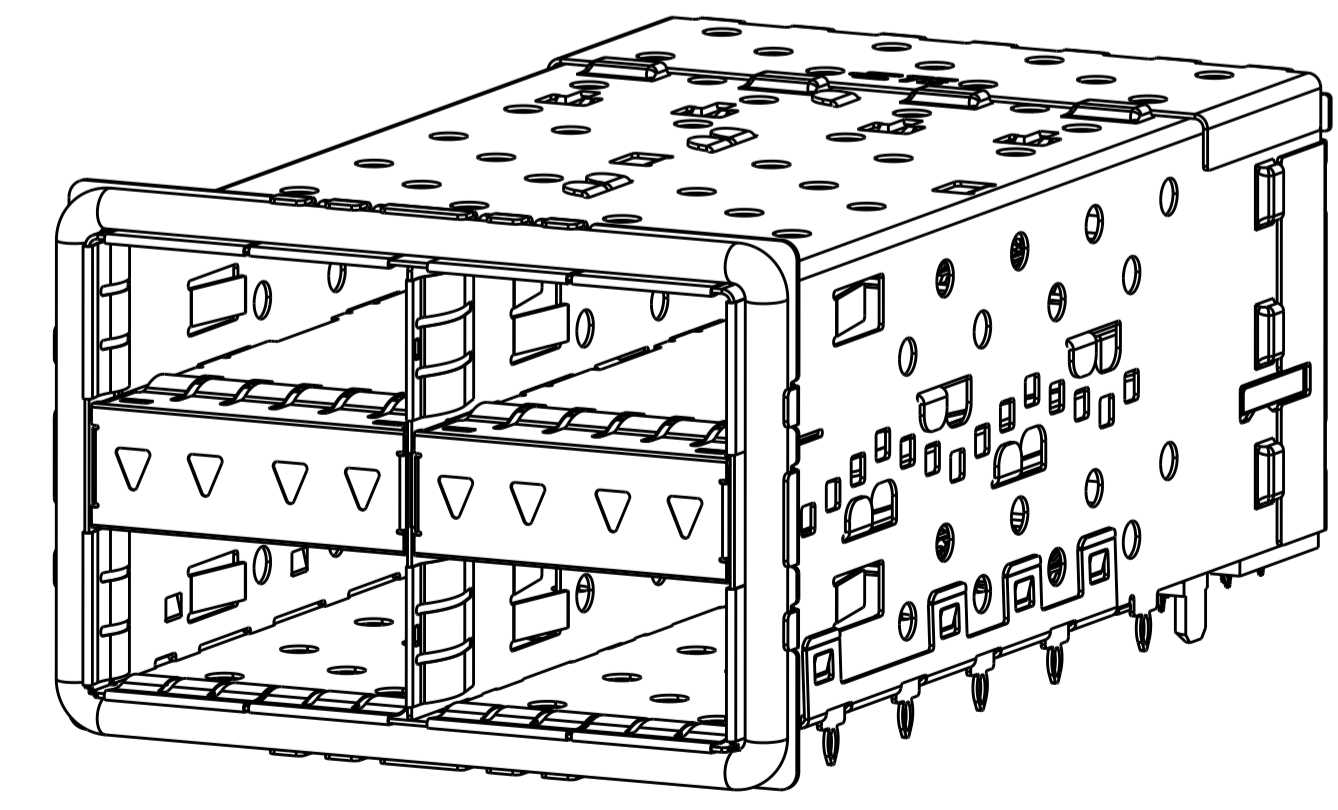
2214574-7



2214574-8



2214574-9



1-2214574-0

THIS DRAWING IS A CONTROLLED DOCUMENT.		OWN: ROBERT_GAN 20APR2013	TE Connectivity
		CHK: JASON YANG 20APR2013	
		APVD: ALEX CAI 20APR2013	NAME: CAGE AND PT CONNECTOR ASSEMBLY WITH EMI GASKET, PRESS FIT, 2X2, STACKED QSFP+
DIMENSIONS:		PRODUCT SPEC	
TOLERANCES UNLESS OTHERWISE SPECIFIED:		108-127010	
		APPLICATION SPEC	
MATERIAL:		114-32020	RESTRICTED TO:
FINISH:		WEIGHT: A1 00779	SCALE: 4:1
		CUSTOMER DRAWING	SHEET 4 OF 4 REV B

X-ON Electronics

Largest Supplier of Electrical and Electronic Components

Click to view similar products for [I/O Connectors](#) category:

Click to view products by [TE Connectivity](#) manufacturer:

Other Similar products are found below :

[571763P](#) [58098-0628](#) [D20419-211](#) [D38999/20FJ24PA L/C](#) [D38999/20FJ29SB L/C](#) [D38999/24FG11SN L/C](#) [72.250.1628.2](#) [72.250.2428.2](#)
[74720-0505](#) [76.350.0729.0](#) [76871-1403](#) [FCN-244F080-G/1](#) [FCN-260A9920](#) [FCN-268D024-G/2F#10X-R10](#) [PCS-E50FA](#) [PCS-XE26LKA](#)
[PCS-XE26MA+](#) [PCS-XES68MS+](#) [G38A71314B](#) [DX40-50P\(55\)](#) [1571250010](#) [157-22500-3](#) [MS3471L14-19P L/C](#) [1888020-8](#) [91-569786-](#)
[35H](#) [91-569786-35M](#) [91-644626-35P](#) [SM3100F14S-58S](#) [172501-4002](#) [172501-6002](#) [FCN-260C008-A/L0](#) [FCN-260C024-AL0](#) [FCN-](#)
[261Z008](#) [FCN-268D008-G/1K](#) [2000314-1](#) [200331-1](#) [2007498-2](#) [PCR-E28LMDAG1+](#) [PCR-E36FC+](#) [PCS-E28FS+](#) [PCS-XE26SLFD+](#) [PCS-](#)
[XE26SLFDT+](#) [G38A71214B](#) [HDRA-E68W1LFDTC-SL+](#) [HDR-E14MSG1+](#) [R88A-CNK81S](#) [CRT1-ATT02](#) [54182-0605](#) [U90B2054081210](#)
[UE86K842720321](#)