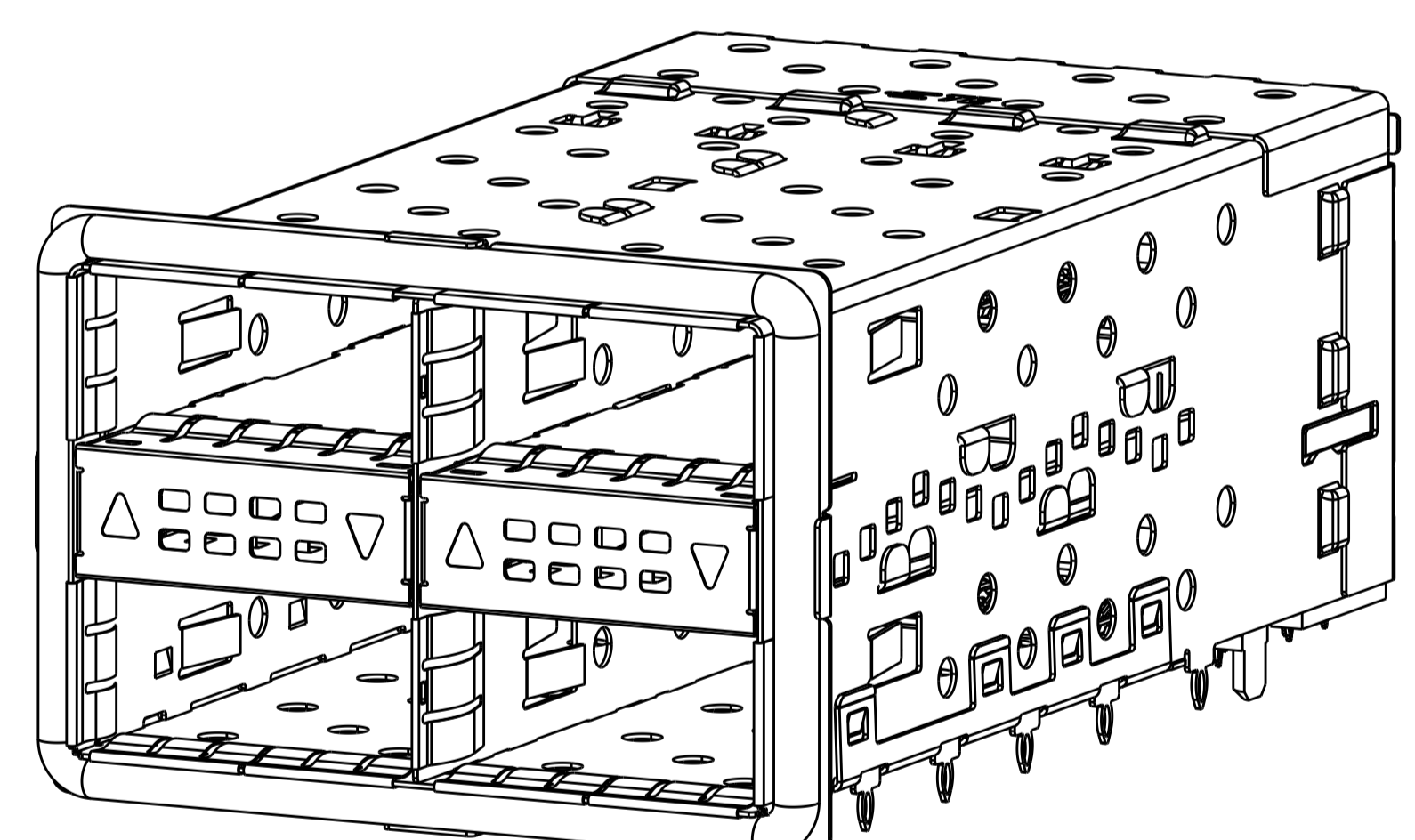
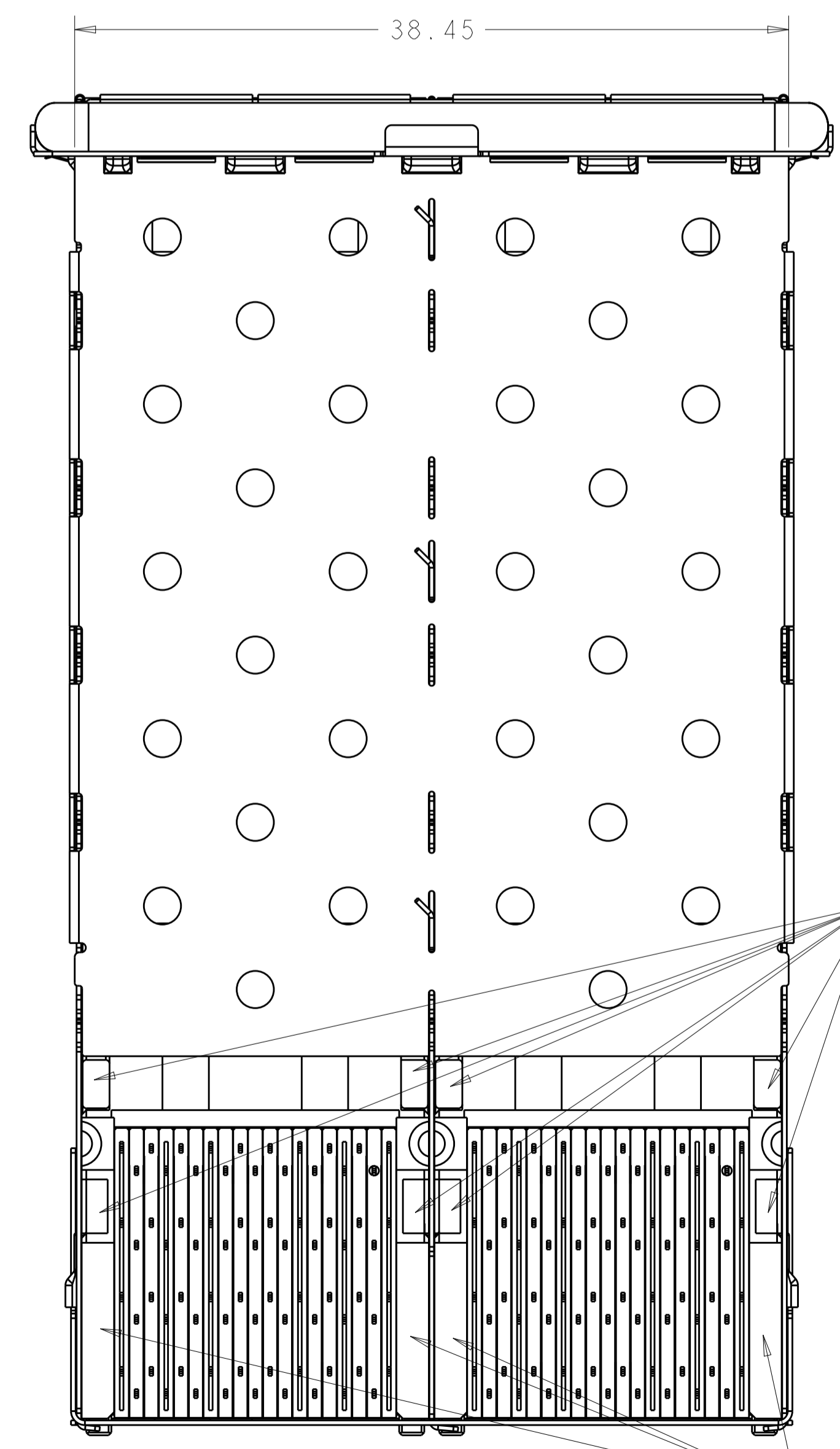
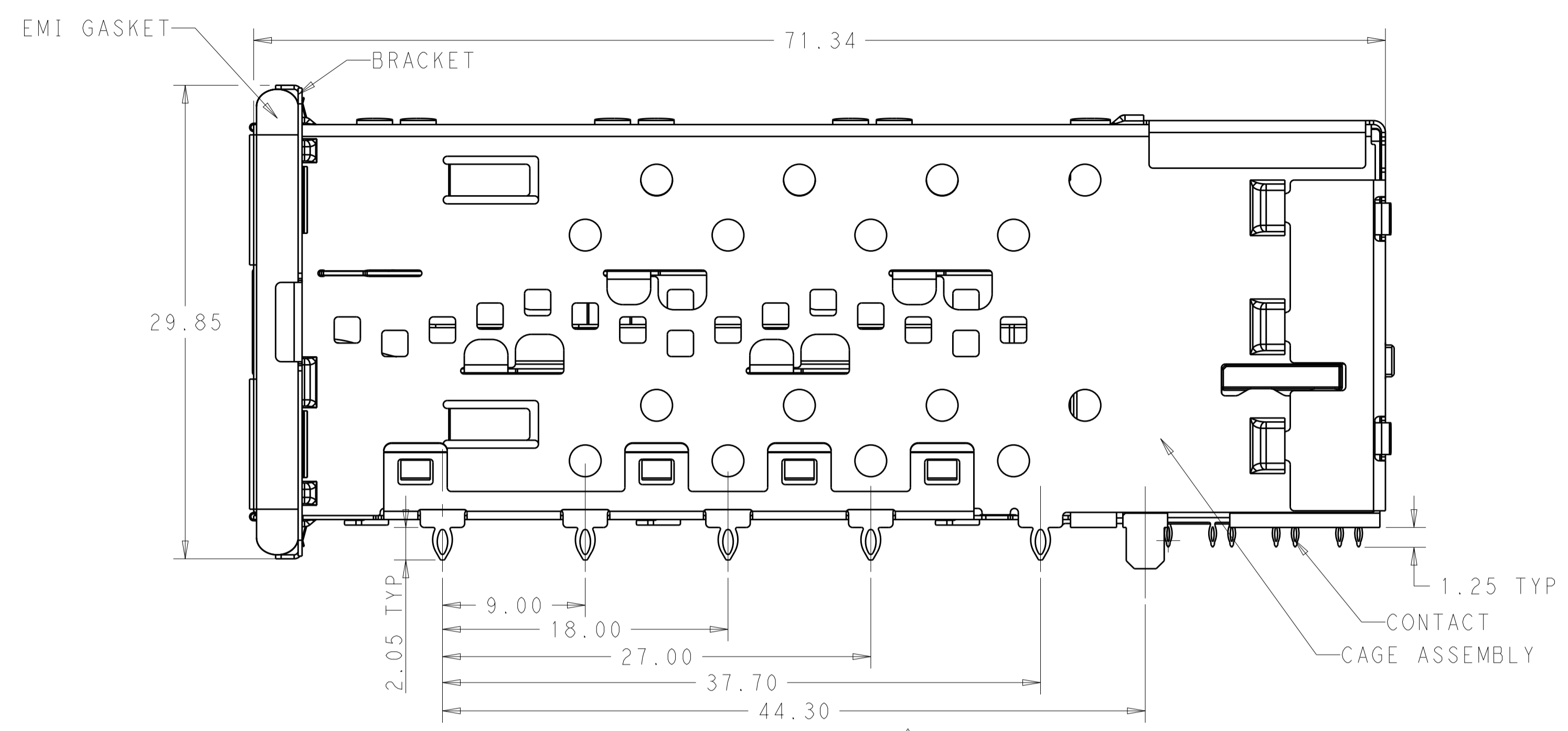
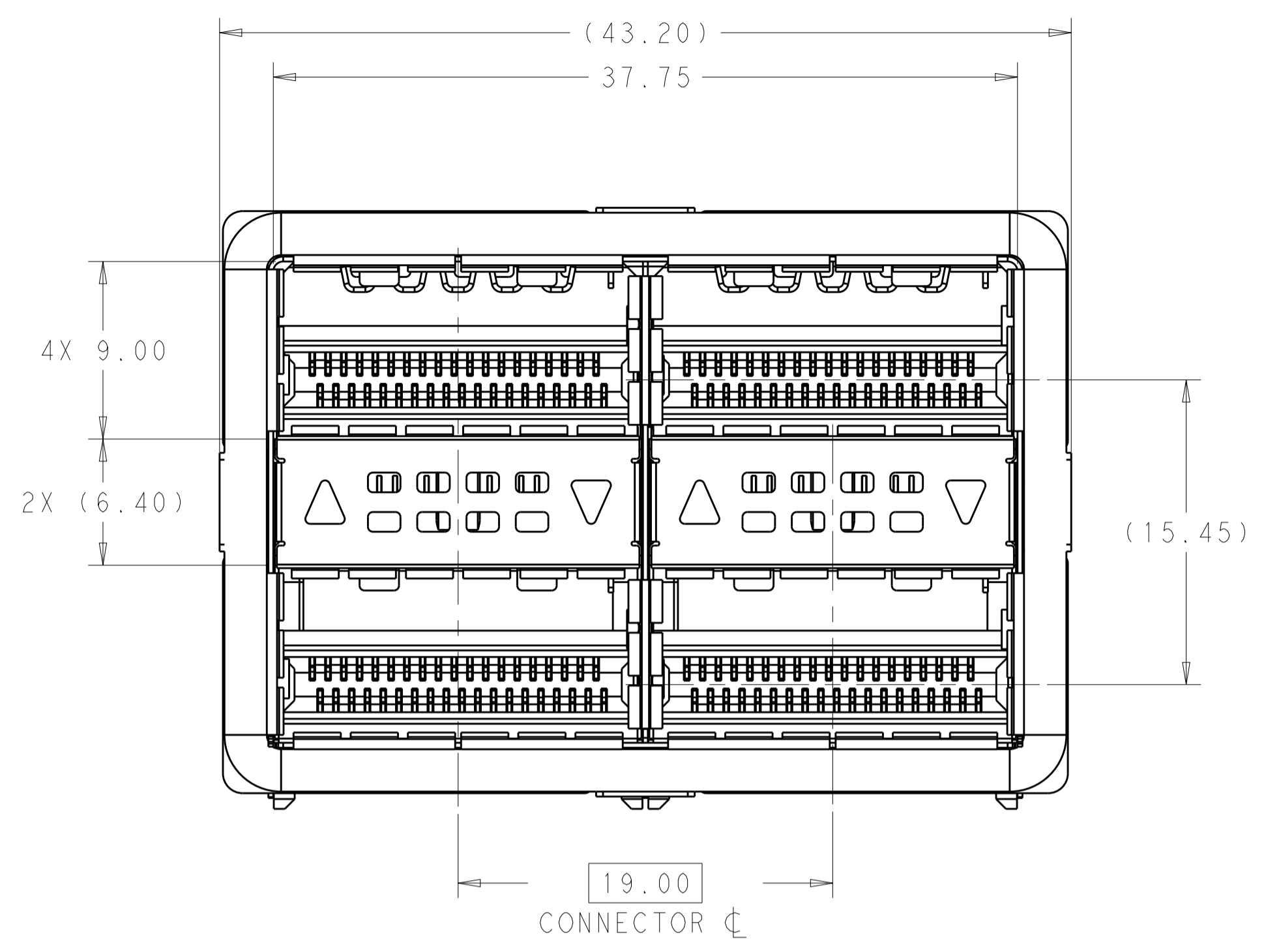


| LOC | DIST | REVISIONS |     |                           |          |     |      |
|-----|------|-----------|-----|---------------------------|----------|-----|------|
| GP  | 00   | P         | LTN | DESCRIPTION               | DATE     | DWN | APVD |
|     |      | A         |     | RELEASE PER ECO-16-001264 | 1FEB2016 | RG  | SH   |
|     |      | B         |     | REVISE PER ECO-17-008876  | 3AUG2017 | RG  | SH   |



SCALE 3:1

- 1 MATERIAL:  
 CAGE ASSEMBLY- STAINLESS STEEL.  
 BRACKET- STAINLESS STEEL.  
 EMI GASKET- NIKCEL-GRAPHITE FILLED SILICONE.  
 HOUSING- BLACK LCP,UL 94V-0 RATED  
 CHICKLET- BLACK LCP,UL 94V-0 RATED  
 LIGHT PIPE- POLYCARBONATE, CLEAR, UL 94V-0 RATED  
 CONTACT- COPPER ALLOY.  
 GASKET - CONDUCTIVE RUBBER, UL 94V-0 RATED
- 2 DATUM AND BASIC DIMENSIONS ESTABLISHED BY CUSTOMER.
- 3. MINIMUM PCB THICKNESS OF 1.57mm.
- 4 CONTACT FINISH- CONFORMS TO THE REQUIREMENTS OF TE PRODUCT SPECIFICATION 108-127010, BASED ON EIA/ECA-364-1000.01A, (CONTROLLED ENVIRONMENT APPLICATIONS) ON MATING INTERFACE, TIN ON NEEDLE EYE.
- 5 THE ENTIRE AREA OF THE CONNECTOR FOOTPRINT, INDICATED BY THE DASHED LINE, TO BE CONSIDERED THE KEEPOUT AREA FOR COMPONENTS AND SIGNAL TRACES. TOP SIDE ONLY. TOP SIDE TRACES ALLOWED WITHIN CONNECTOR HOLE PATTERN.
- 6 LIGHT PIPE PAD LAYOUT IS FOR 0805 LOW PROFILE LED PACKAGE WITH A HEIGHT OF 0.8mm.
- 7. CAGE FINISH-1.25 μm MINIMUM NICKEL PLATING.
- 8 KEEP THE GAP BETWEEN LEDS 0.5mm MINIMUM.

|                                      |             |
|--------------------------------------|-------------|
| BOTH LIGHT PIPES WITH DOWN DIRECTION | 1-2214574-0 |
| 3 ROUND VENT HOLES                   | 2214574-9   |
| BOTH LIGHT PIPES                     | 2214574-8   |
| BOTH LIGHT PIPES                     | 2214574-7   |
| INNER LIGHT PIPES                    | 2214574-6   |
| OUTER LIGHT PIPES                    | 2214574-5   |
| NO LIGHT PIPES                       | 2214574-4   |
| BOTH LIGHT PIPES                     | 2214574-3   |
| INNER LIGHT PIPES                    | 2214574-2   |
| OUTER LIGHT PIPES                    | 2214574-1   |
| DESCRIPTION                          | PART NUMBER |

THIS DRAWING IS A CONTROLLED DOCUMENT.

OWN: ROBERT GAN 20APR2013  
 CH: JASON YANG 20APR2013  
 APVD: ALEX CAI 20APR2013

TE Connectivity

CAGE AND PT CONNECTOR ASSEMBLY WITH EMI GASKET, PRESS FIT, 2X2, STACKED QSFP+

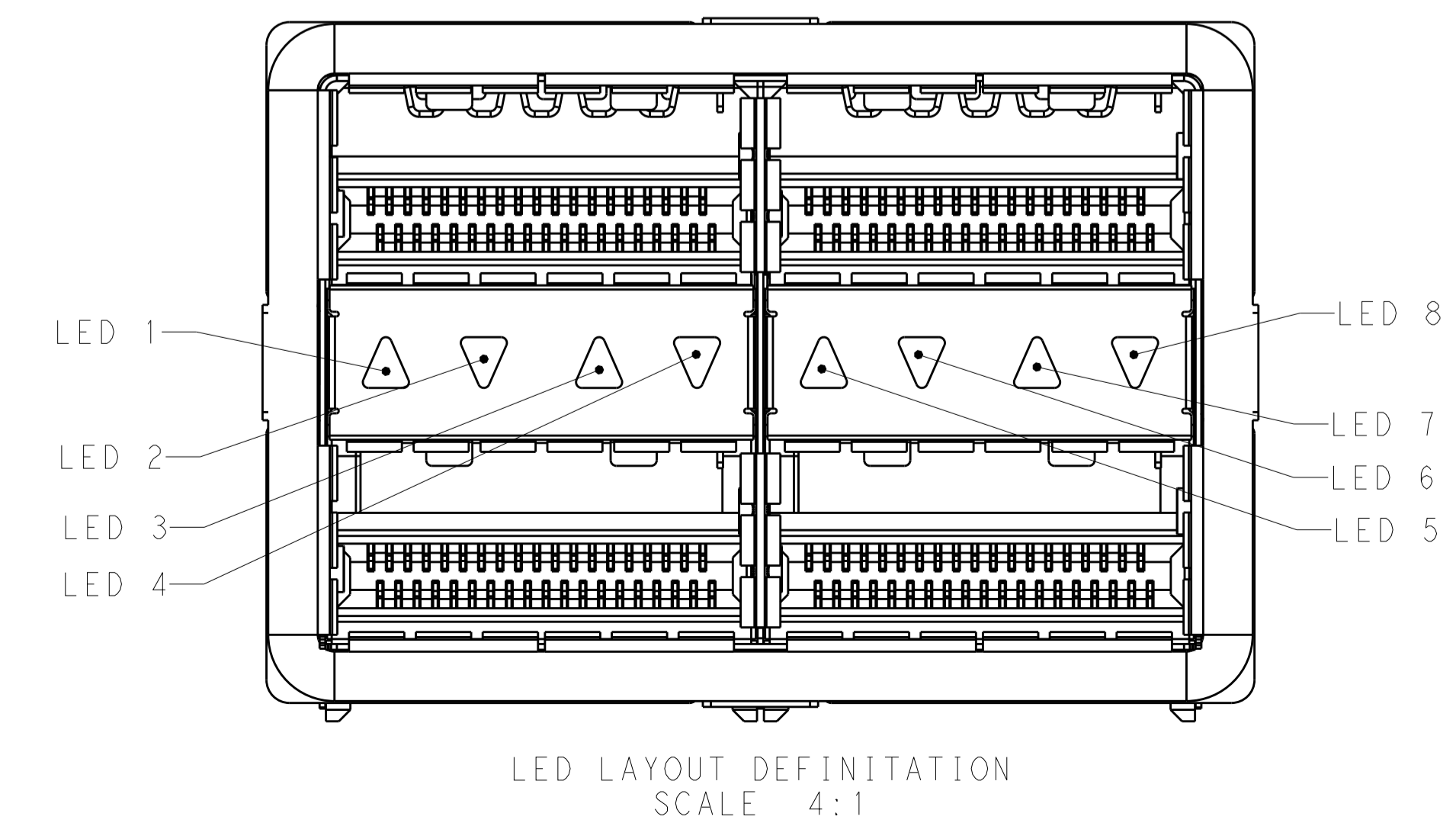
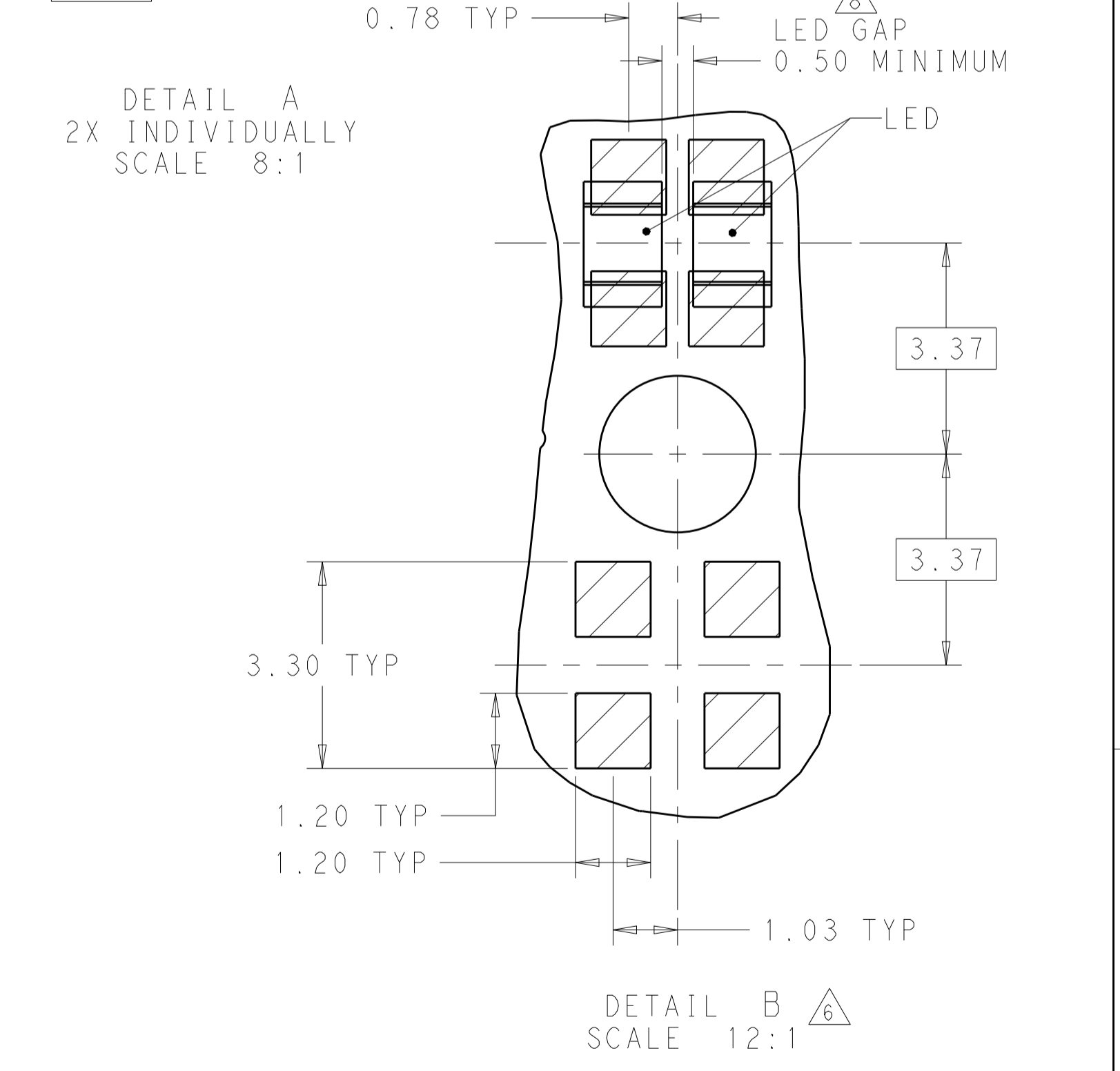
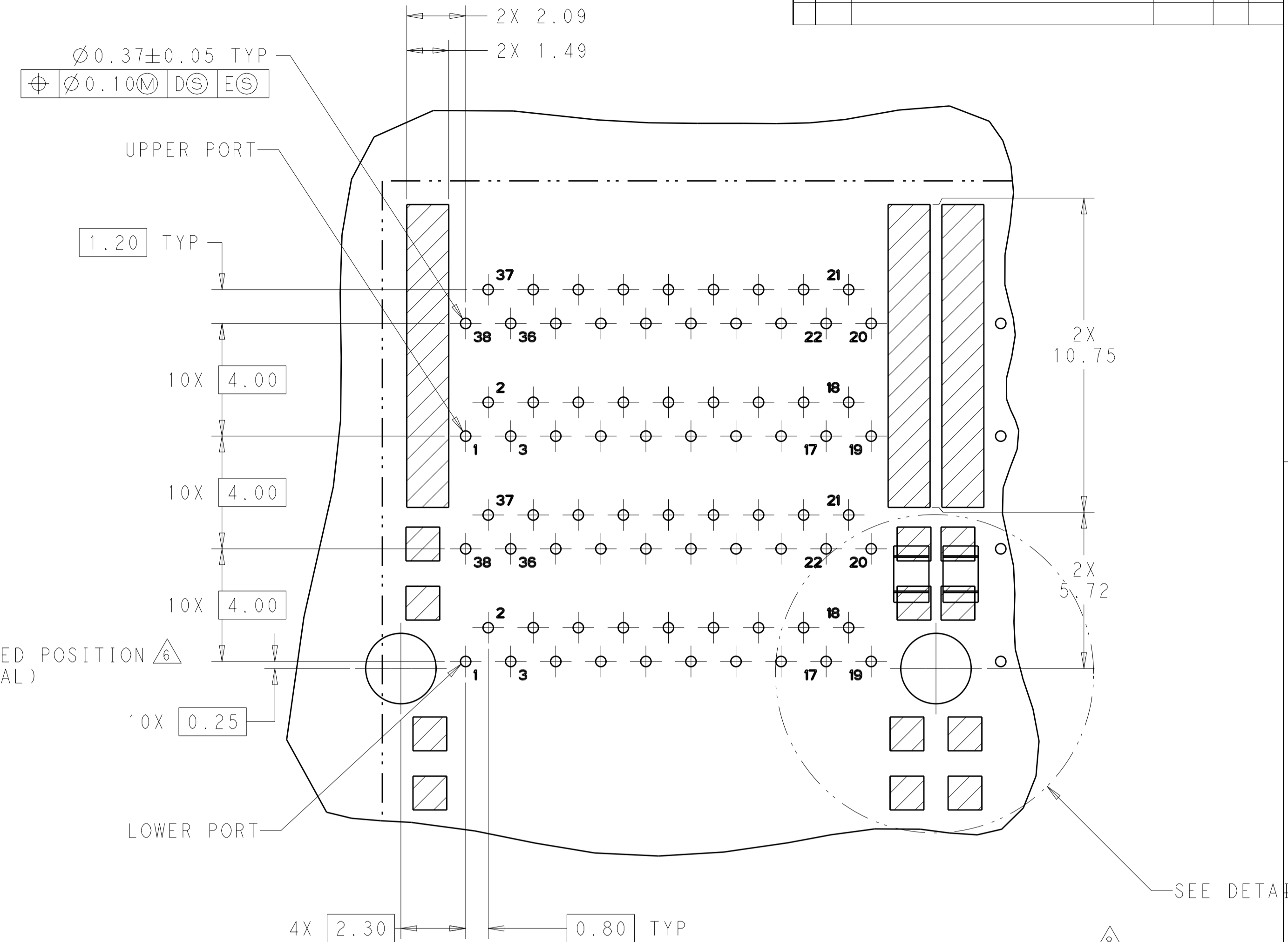
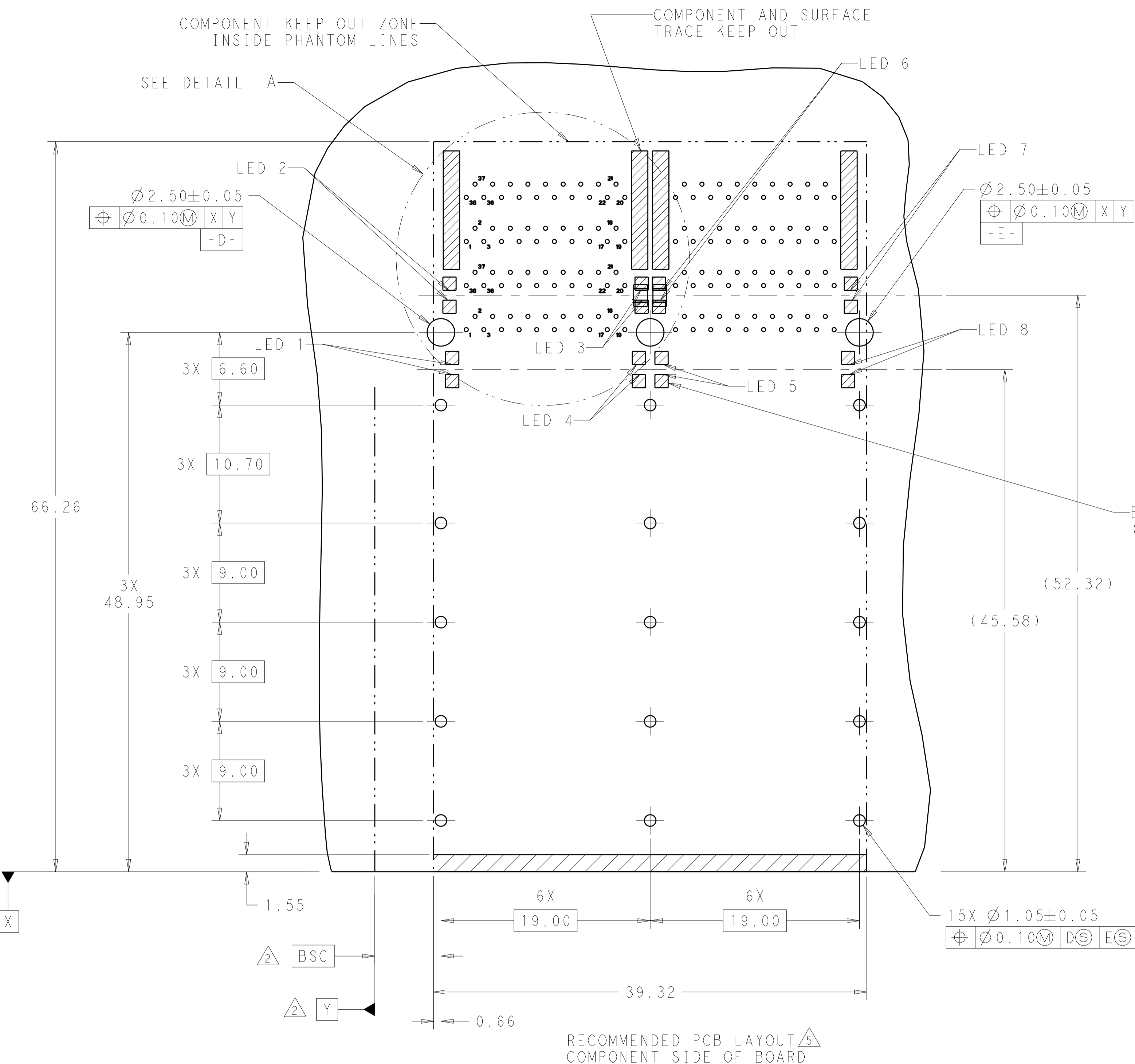
PRODUCT SPEC: 108-127010  
 APPLICATION SPEC: 114-32020

SIZE: A1  
 CAGE CODE: 00779  
 DRAWING NO: 2214574

CUSTOMER DRAWING

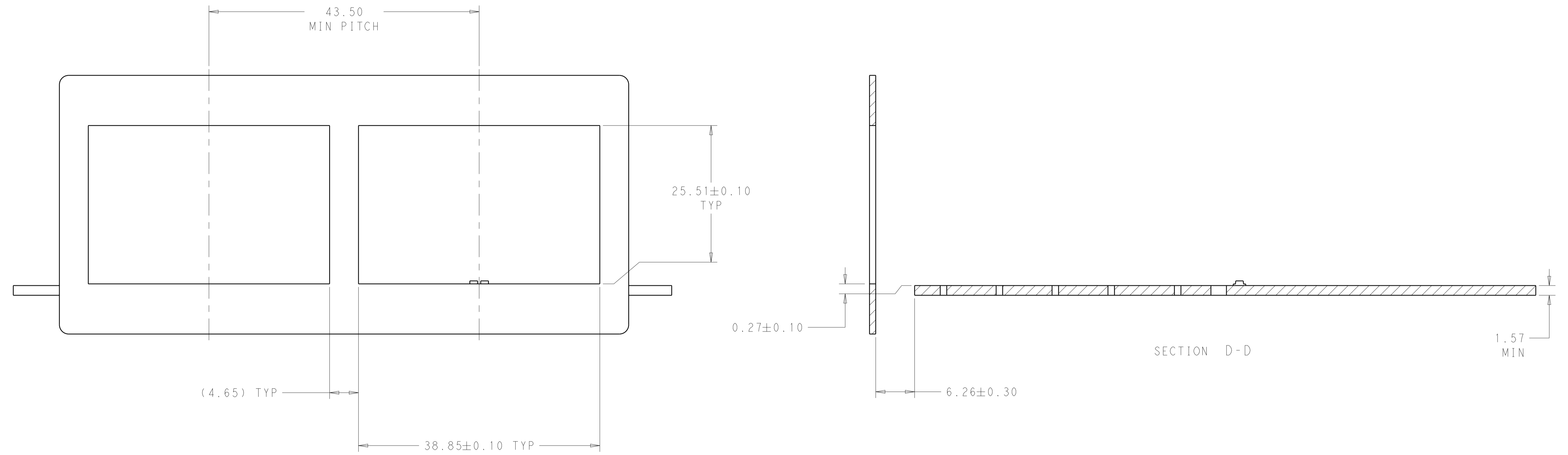
SCALE: 4:1 SHEET 1 OF 4 REV B

| LOC | DIST | REVISIONS |     |             |      |     |      |
|-----|------|-----------|-----|-------------|------|-----|------|
| GP  | 00   | P         | LTN | DESCRIPTION | DATE | DWN | APVD |
|     |      | -         | -   | SEE SHEET 1 | -    | -   | -    |



|  |  |                           |   |
|--|--|---------------------------|---|
| THIS DRAWING IS A CONTROLLED DOCUMENT. |  | DWN: ROBERT_GAN 20APR2013 | TE Connectivity   |
| DIMENSIONS: mm                         |  | CHK: JASON YANG 20APR2013 |   |
| TOLERANCES UNLESS OTHERWISE SPECIFIED: |  | APVD: ALEX_CAI 20APR2013  | NAME: CAGE AND PT CONNECTOR ASSEMBLY WITH EMI GASKET, PRESS FIT, 2X2, STACKED QSFP+<br>PRODUCT SPEC: 108-127010<br>APPLICATION SPEC: 114-32020<br>SIZE: A1<br>CAGE CODE: 00779<br>DRAWING NO: 2214574<br>RESTRICTED TO: - |
| MATERIAL:                              |  | WEIGHT:                   |   |
| FINISH:                                |  | SCALE: 4:1                |   |
|  |  | SHEET 2 OF 4              |   |
| CUSTOMER DRAWING                       |  |                           | REV B   |

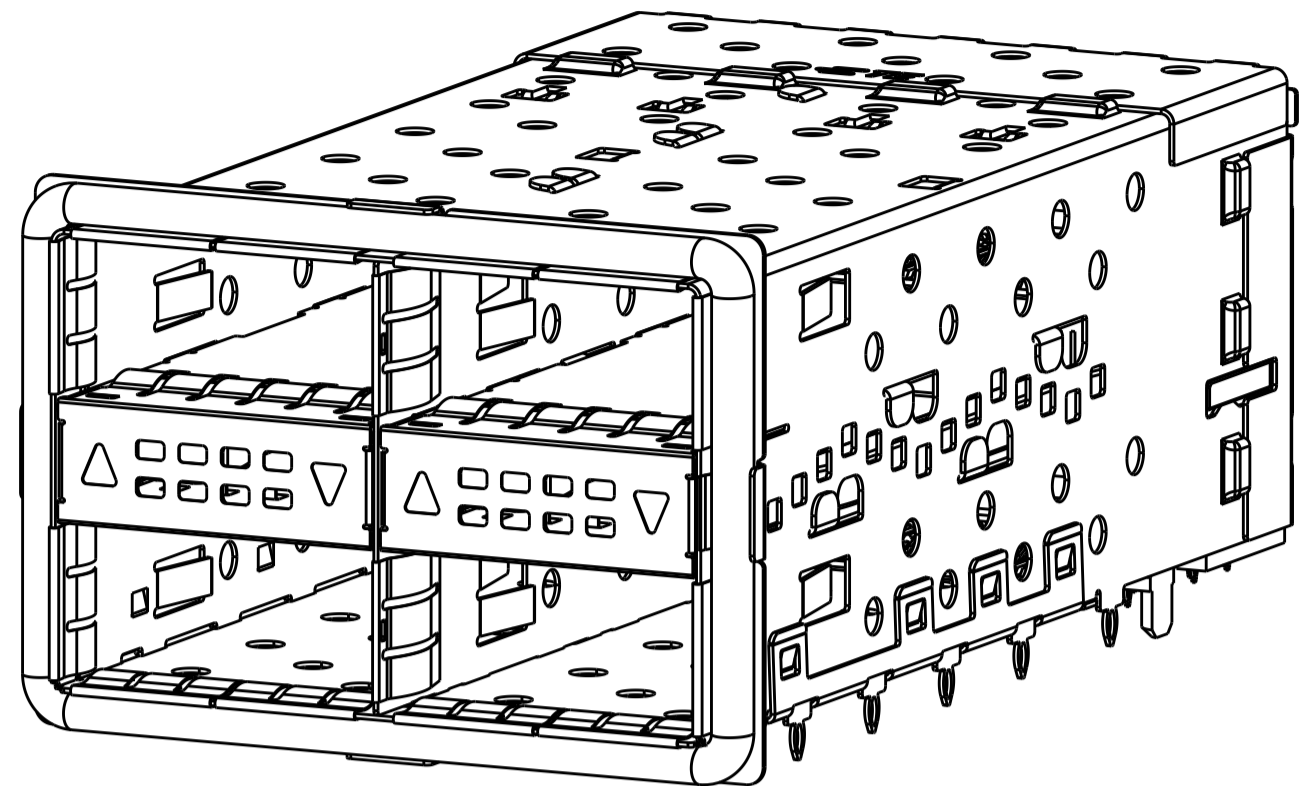
| LOC | DIST | REVISIONS |     |             |      |     |      |
|-----|------|-----------|-----|-------------|------|-----|------|
|     |      | P         | LTH | DESCRIPTION | DATE | DWN | APVD |
| GP  | 00   | -         | -   | SEE SHEET 1 | -    | -   | -    |
|     |      |           |     |             |      |     |      |
|     |      |           |     |             |      |     |      |



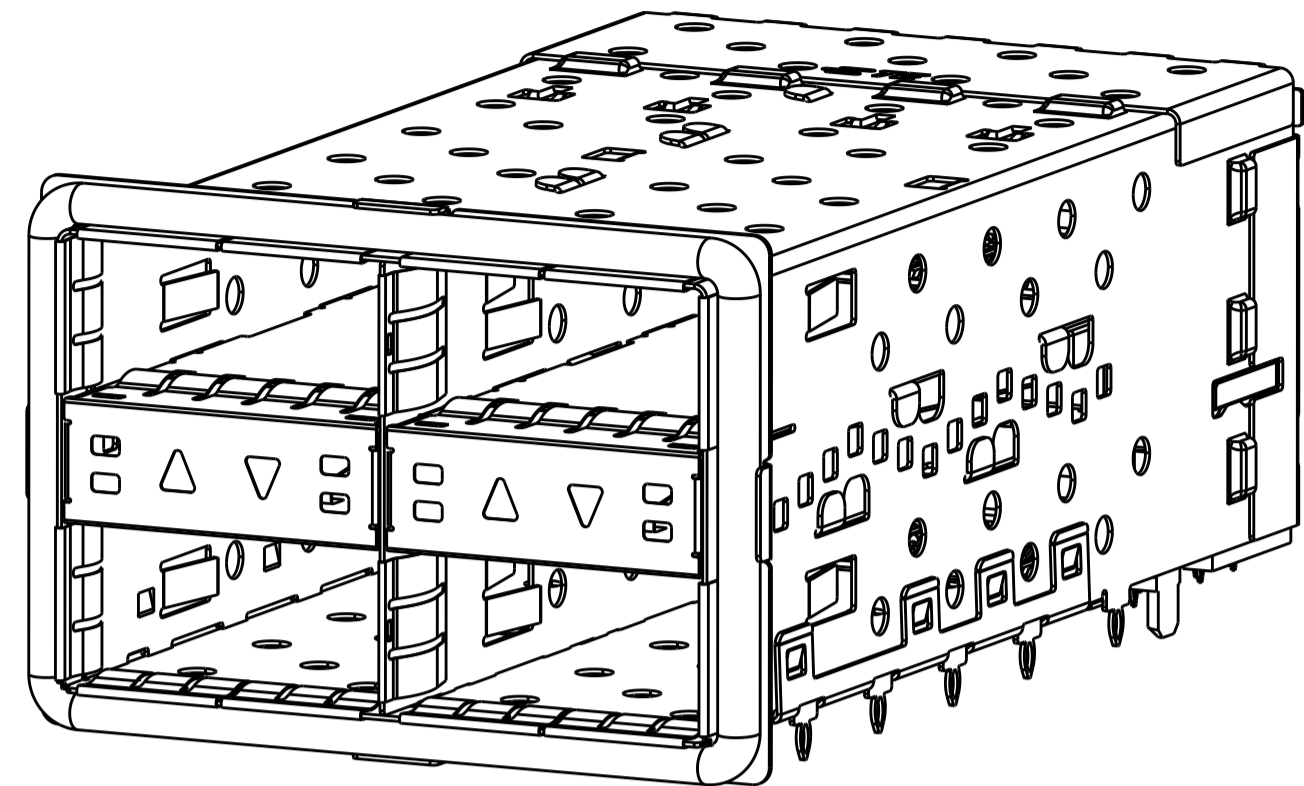
RECOMMENDED PANEL CUTOUT  
 AND PC BOARD PANEL POSITION  
 SCALE 3:1

|   |  |                  |                   |           |  |
|---|--|------------------|-------------------|-----------|--|
| THIS DRAWING IS A CONTROLLED DOCUMENT.  |  | OWN              | ROBERT GAN        | 20APR2013 |  |
|   |  | CHK              | JASON YANG        | 20APR2013 |  |
| DIMENSIONS:   |  | APVD             | ALEX CAI          | 20APR2013 | <b>CAGE AND PT CONNECTOR ASSEMBLY WITH EMI GASKET, PRESS FIT, 2X2, STACKED QSFP+</b> |
| TOLERANCES UNLESS OTHERWISE SPECIFIED:  |  | PRODUCT SPEC     | 108-127010        |           |  |
| mm  |  | APPLICATION SPEC | 114-32020         |           |  |
| 0 PLC ±<br>1 PLC ±0.25<br>2 PLC ±0.15<br>3 PLC ±<br>4 PLC ±<br>ANGLES ±<br>FINISH |  | SIZE             | A1 00779C=2214574 |           |  |
| MATERIAL  |  | WEIGHT           | CUSTOMER DRAWING  |           | RESTRICTED TO  |
|   |  | SCALE            | 4:1               |           | SHEET 3 OF 4   |
|   |  | REV              | B                 |           |  |

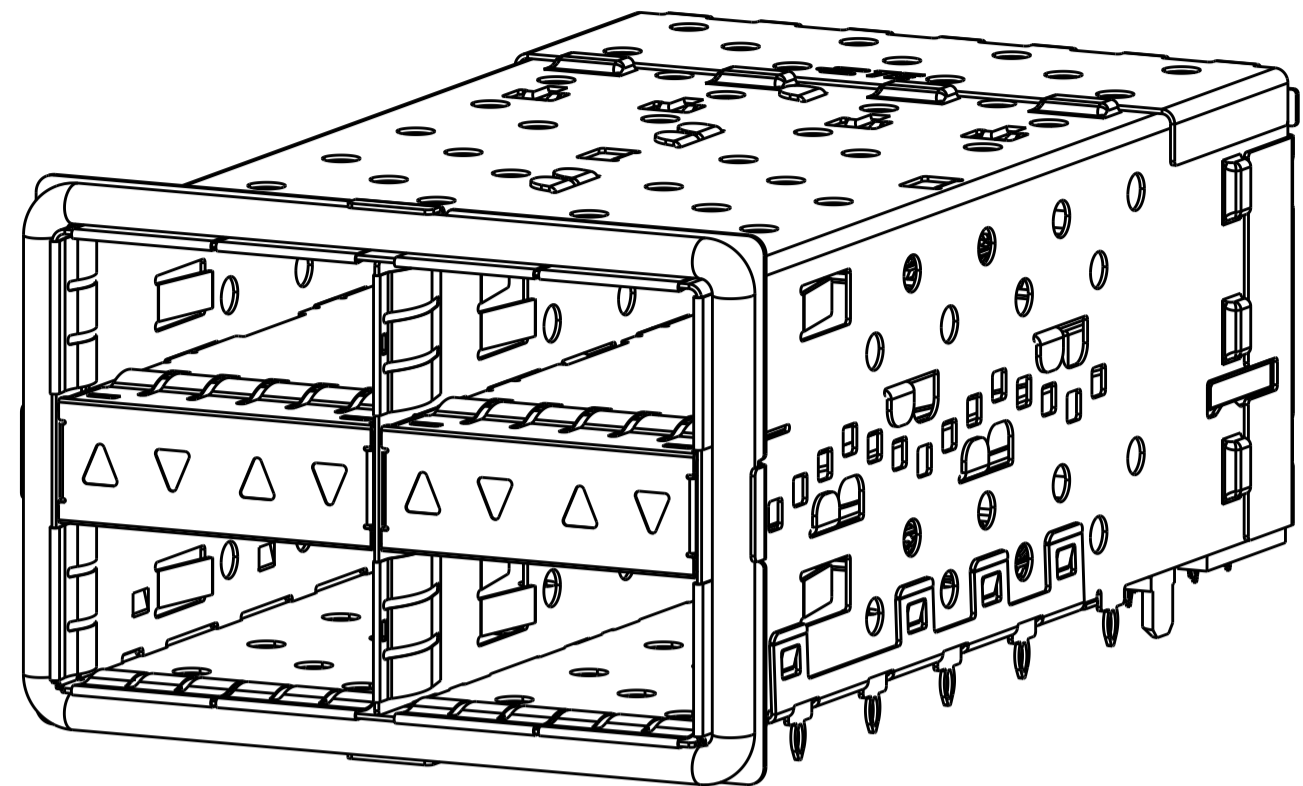
| LOC |    | DIST |     | REVISIONS   |      |     |      |
|-----|----|------|-----|-------------|------|-----|------|
| GP  | 00 | P    | LYR | DESCRIPTION | DATE | OWN | APVD |
|     |    | -    |     | SEE SHEET 1 |      |     |      |



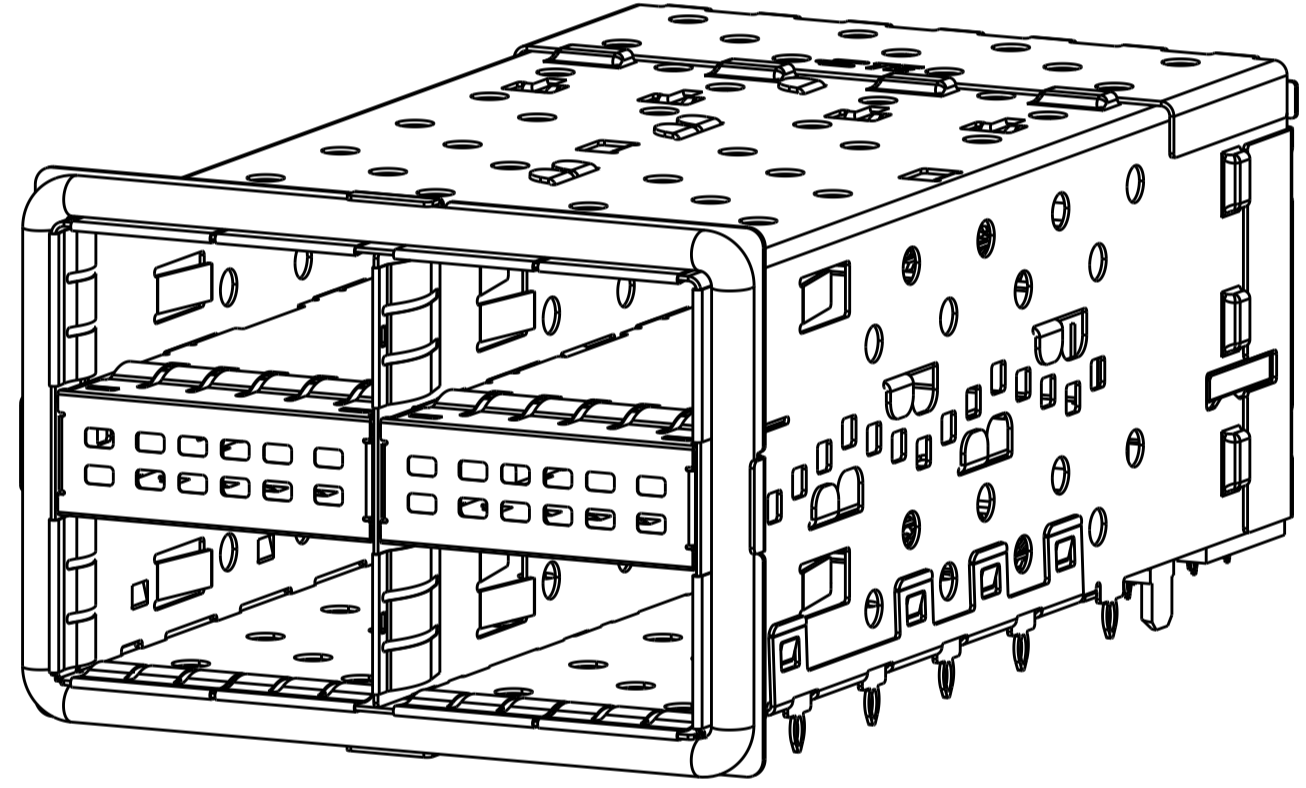
2214574-1



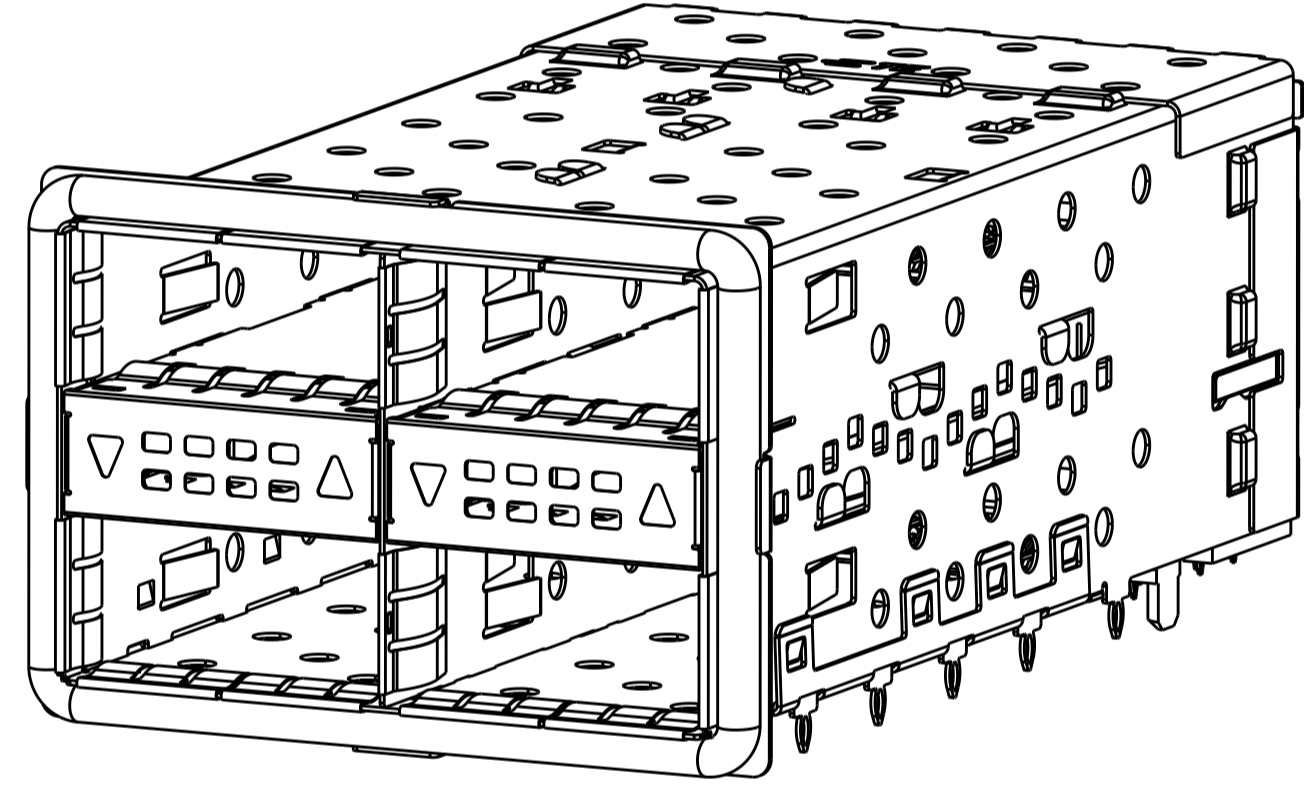
2214574-2



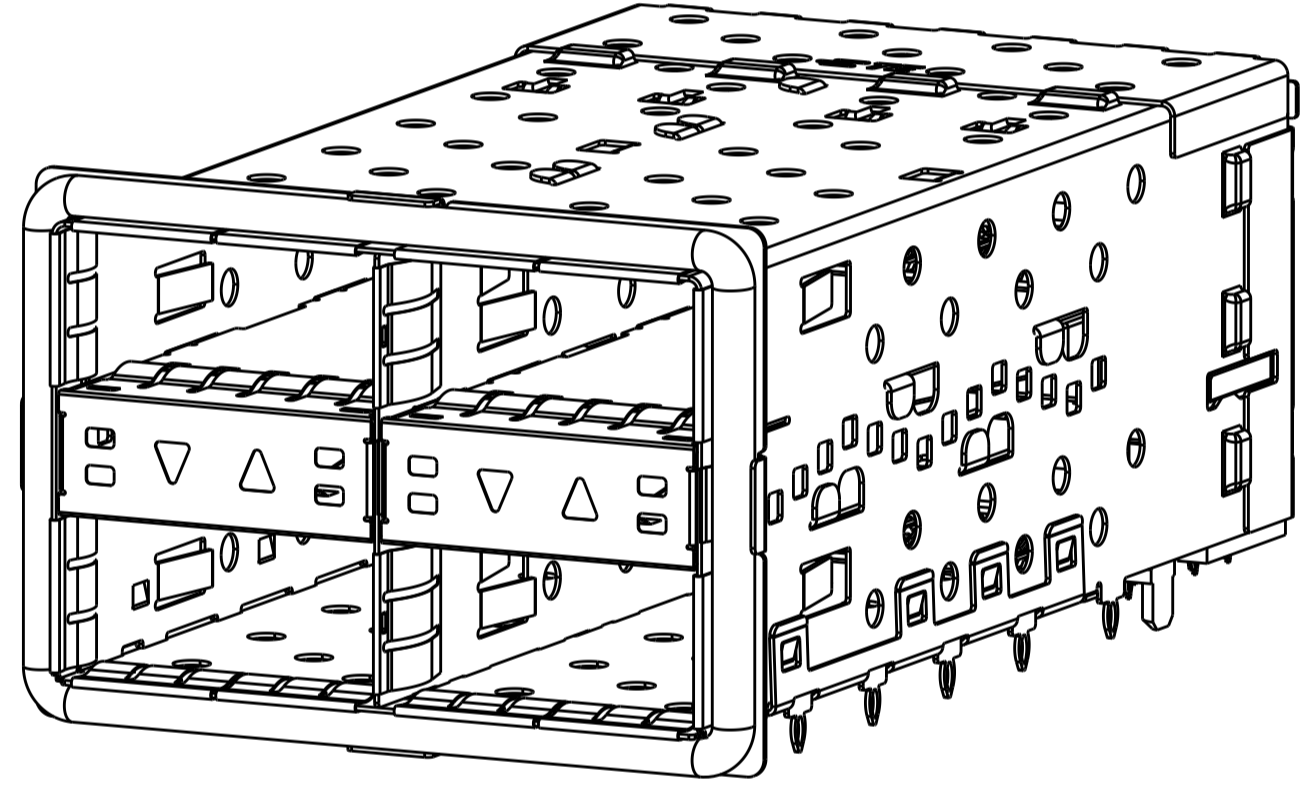
2214574-3



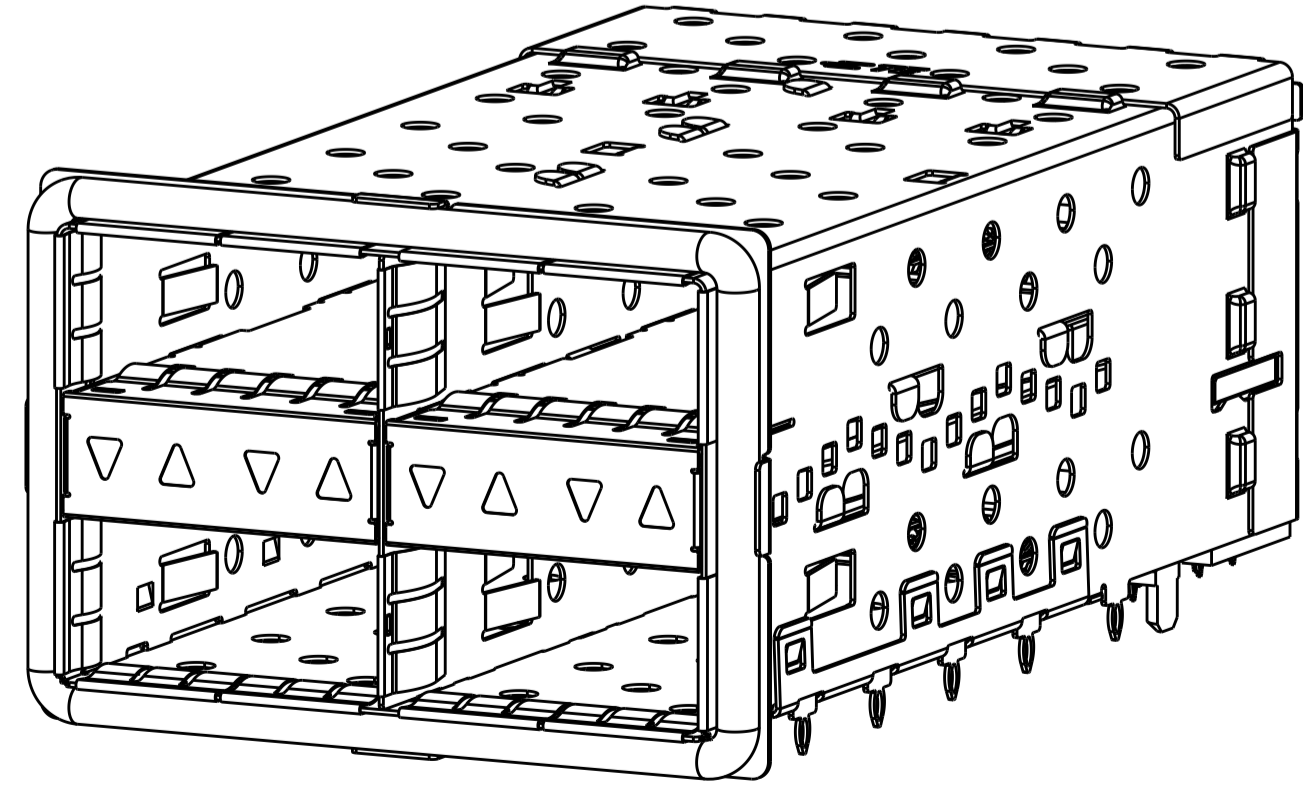
2214574-4



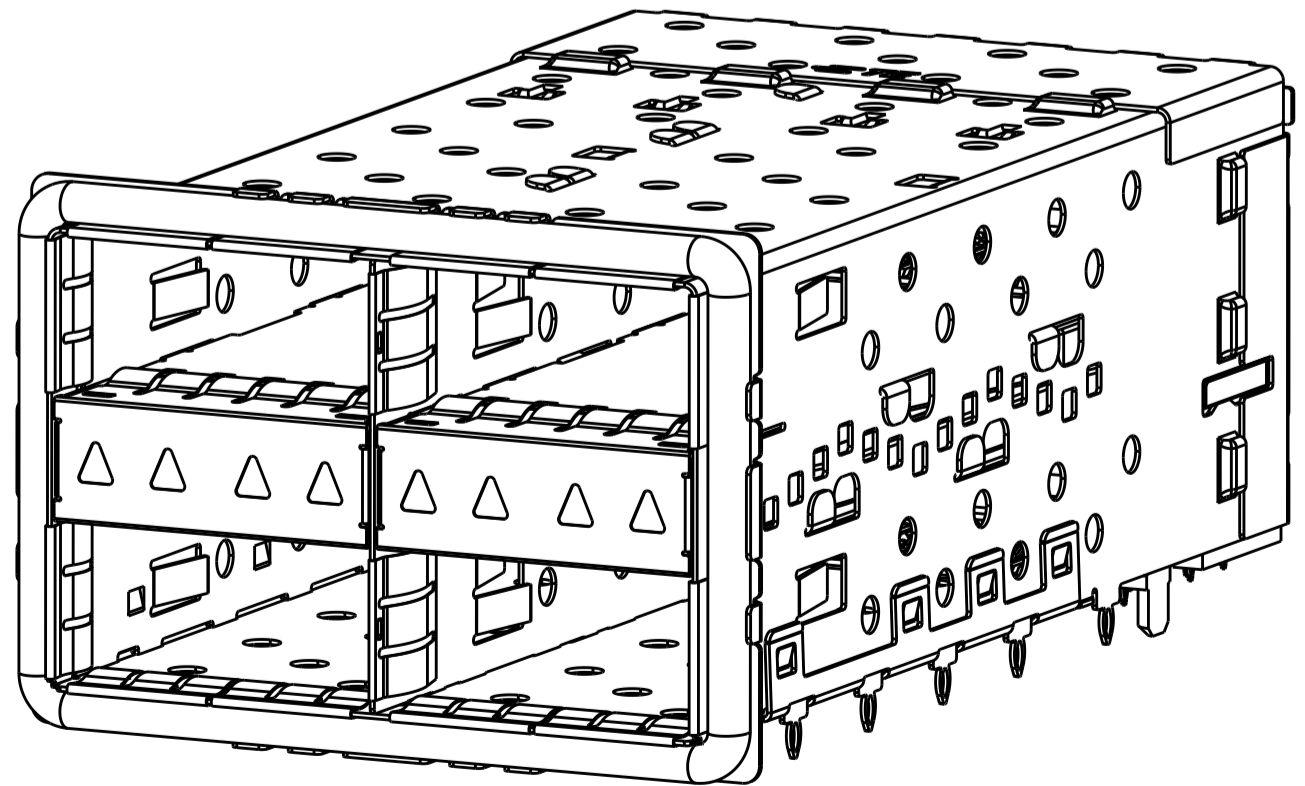
2214574-5



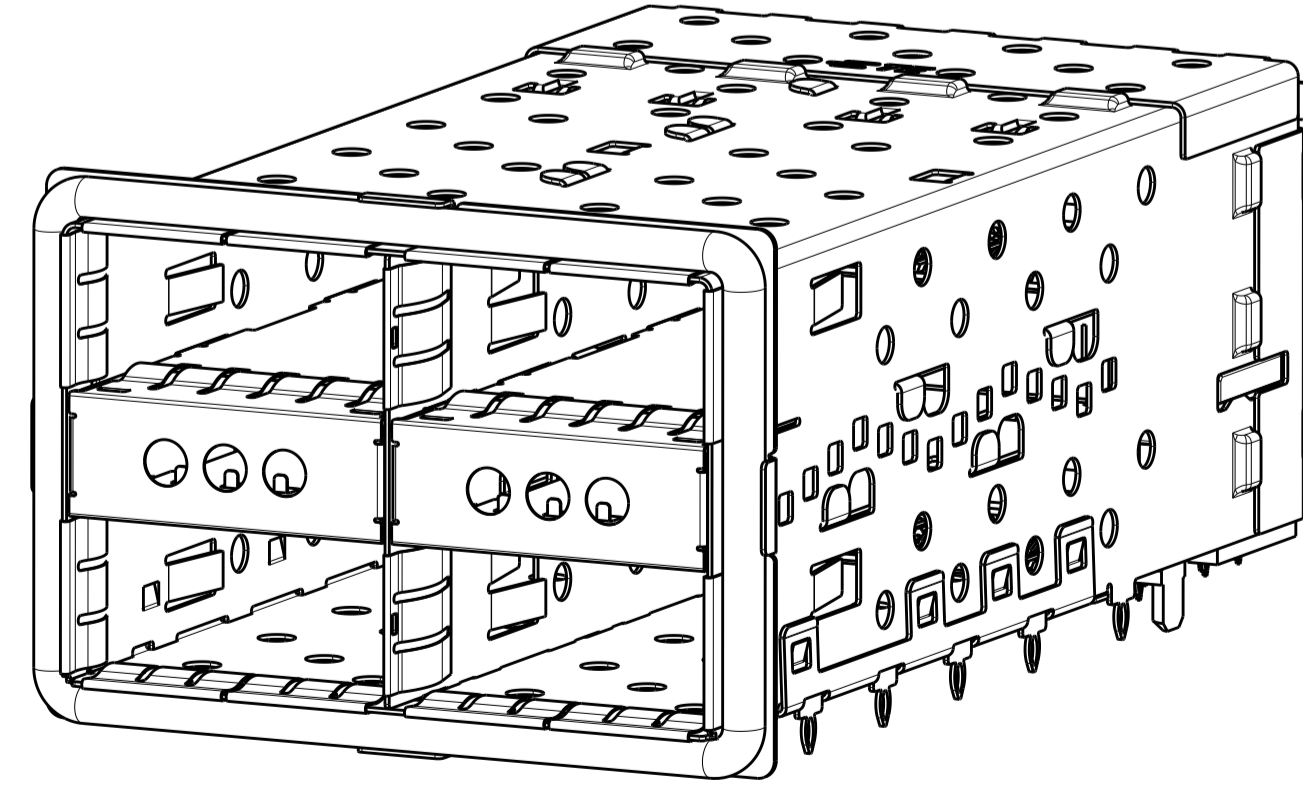
2214574-6



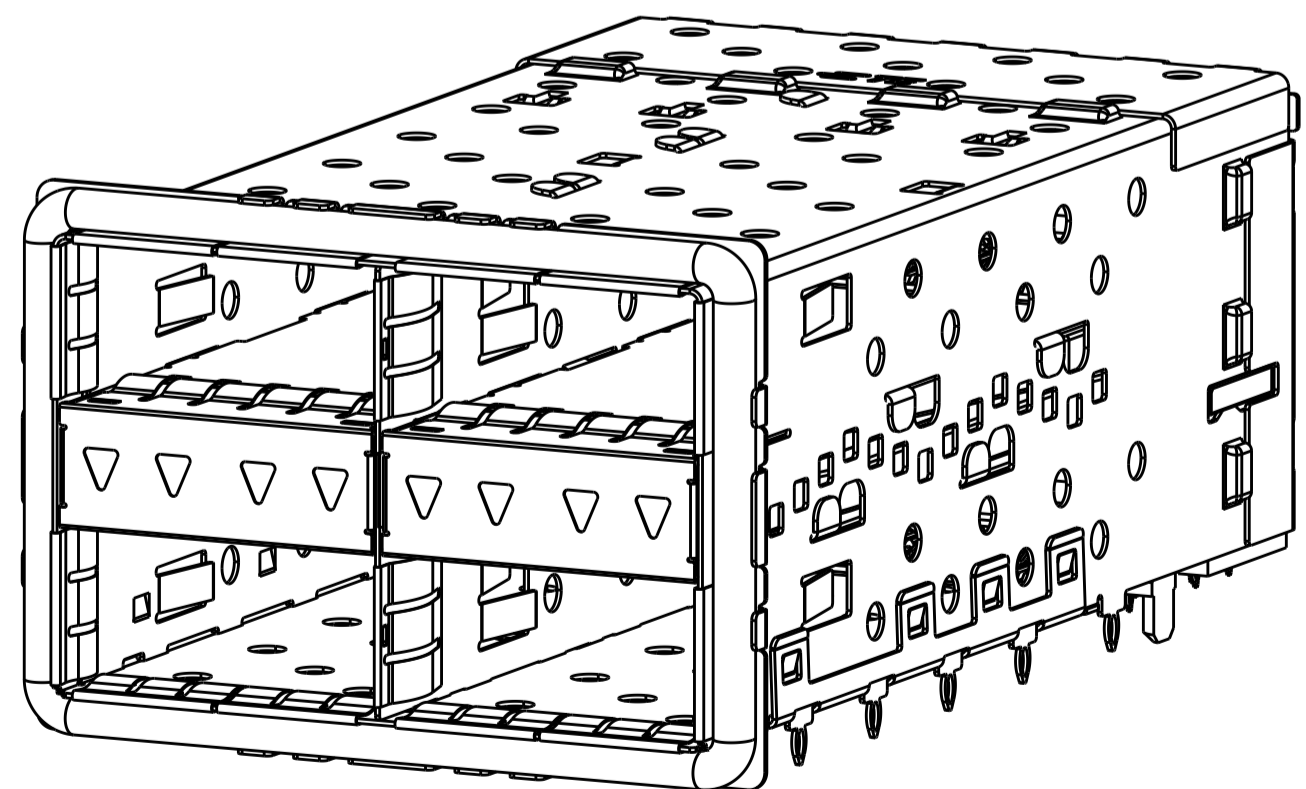
2214574-7



2214574-8



2214574-9



1-2214574-0

|  |  |  |  |   |  |
|--|--|--|--|---|--|
| THIS DRAWING IS A CONTROLLED DOCUMENT. |  | OWN: ROBERT_GAN 20APR2013              |  | TE Connectivity   |  |
|  |  | CHK: JASON YANG 20APR2013              |  |   |  |
|  |  | APVD: ALEX CAI 20APR2013               |  | NAME: CAGE AND PT CONNECTOR ASSEMBLY WITH EMI GASKET, PRESS FIT, 2X2, STACKED QSFP+ |  |
| DIMENSIONS:                            |  | TOLERANCES UNLESS OTHERWISE SPECIFIED: |  | PRODUCT SPEC: 108-127010  |  |
| mm                                     |  | 0 PLC ± .                              |  | APPLICATION SPEC: 114-32020   |  |
|  |  | 1 PLC ±0.25                            |  | SIZE: A1  |  |
|  |  | 2 PLC ±0.15                            |  | CAGE CODE: 00779  |  |
|  |  | 3 PLC ± .                              |  | DRAWING NO: 2214574   |  |
|  |  | 4 PLC ± .                              |  | RESTRICTED TO: -  |  |
|  |  | ANGLES ± .                             |  | SCALE: 4:1  |  |
| MATERIAL:                              |  | FINISH:                                |  | SHEET 4 OF 4  |  |
|  |  |  |  | REV B   |  |

## X-ON Electronics

Largest Supplier of Electrical and Electronic Components

*Click to view similar products for [I/O Connectors](#) category:*

*Click to view products by [TE Connectivity](#) manufacturer:*

Other Similar products are found below :

[571763P](#) [58098-0628](#) [D20419-211](#) [D38999/20FJ24PA L/C](#) [D38999/20FJ29SB L/C](#) [D38999/24FG11SN L/C](#) [72.250.1628.2](#) [72.250.2428.2](#)  
[74720-0505](#) [76.350.0729.0](#) [76871-1403](#) [FCN-244F080-G/1](#) [FCN-260A9920](#) [FCN-268D024-G/2F#10X-R10](#) [PCS-E50FA](#) [PCS-XE26LKA](#)  
[PCS-XE26MA+](#) [PCS-XES68MS+](#) [G38A71314B](#) [DX40-50P\(55\)](#) [1571250010](#) [157-22500-3](#) [MS3471L14-19P L/C](#) [1888020-8](#) [91-569786-](#)  
[35H](#) [91-569786-35M](#) [91-644626-35P](#) [SM3100F14S-58S](#) [172501-4002](#) [172501-6002](#) [FCN-260C008-A/L0](#) [FCN-260C024-AL0](#) [FCN-](#)  
[261Z008](#) [FCN-268D008-G/1K](#) [2000314-1](#) [200331-1](#) [2007498-2](#) [PCR-E28LMDAG1+](#) [PCR-E36FC+](#) [PCS-E28FS+](#) [PCS-XE26SLFD+](#) [PCS-](#)  
[XE26SLFDT+](#) [G38A71214B](#) [HDRA-E68W1LFDTC-SL+](#) [HDR-E14MSG1+](#) [R88A-CNK81S](#) [CRT1-ATT02](#) [54182-0605](#) [U90B2054081210](#)  
[UE86K842720321](#)