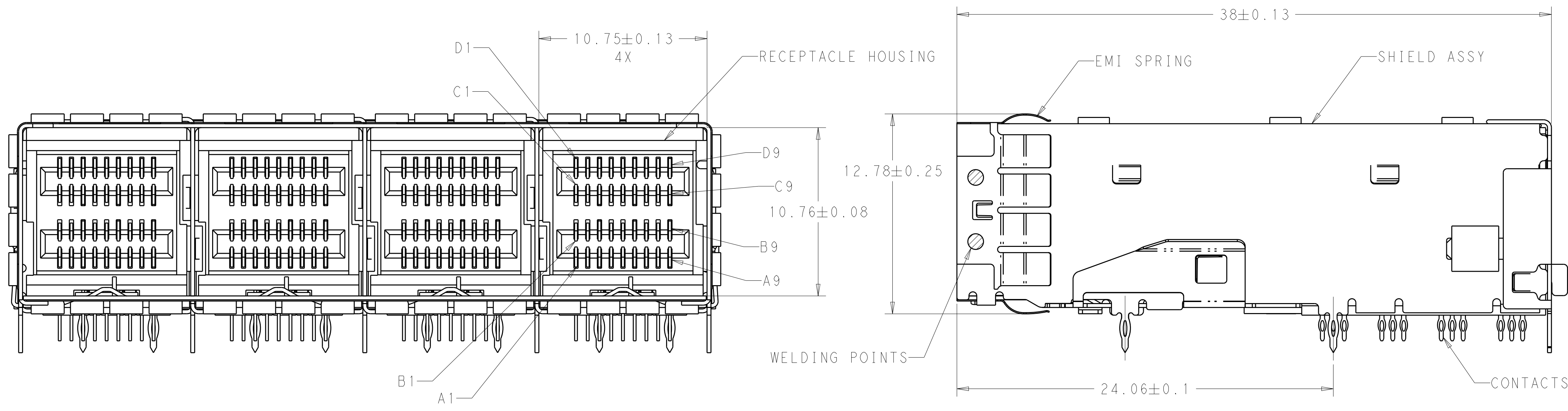
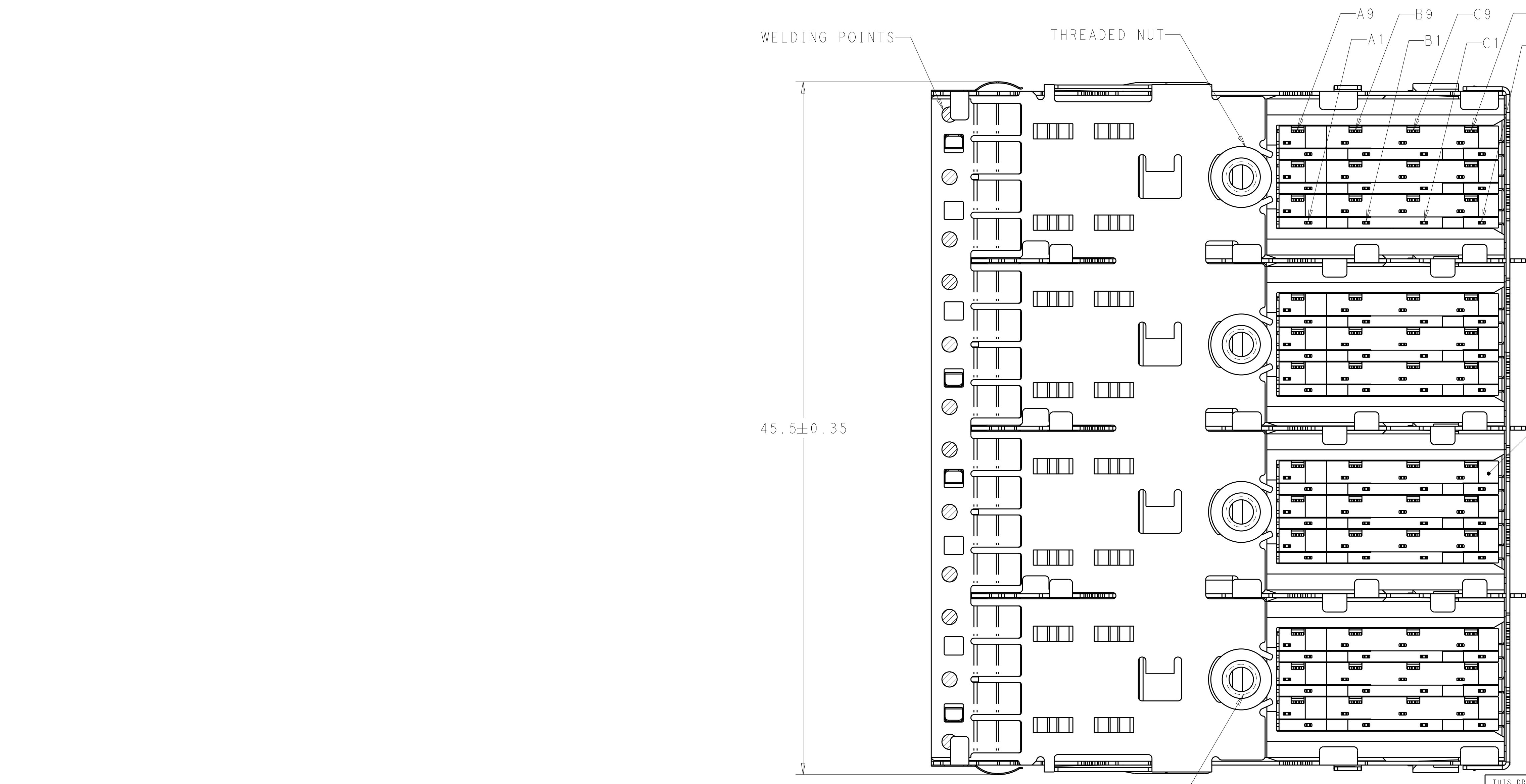


LOC	DIST	REVISIONS			
P	LTN	DESCRIPTION	DATE	DWN	APVD
A		REVISED PER ECO-14-018497	17DEC2014	AP	DG
B		REVISED PER ECO-15-013876	19JUN2016	JY	SH



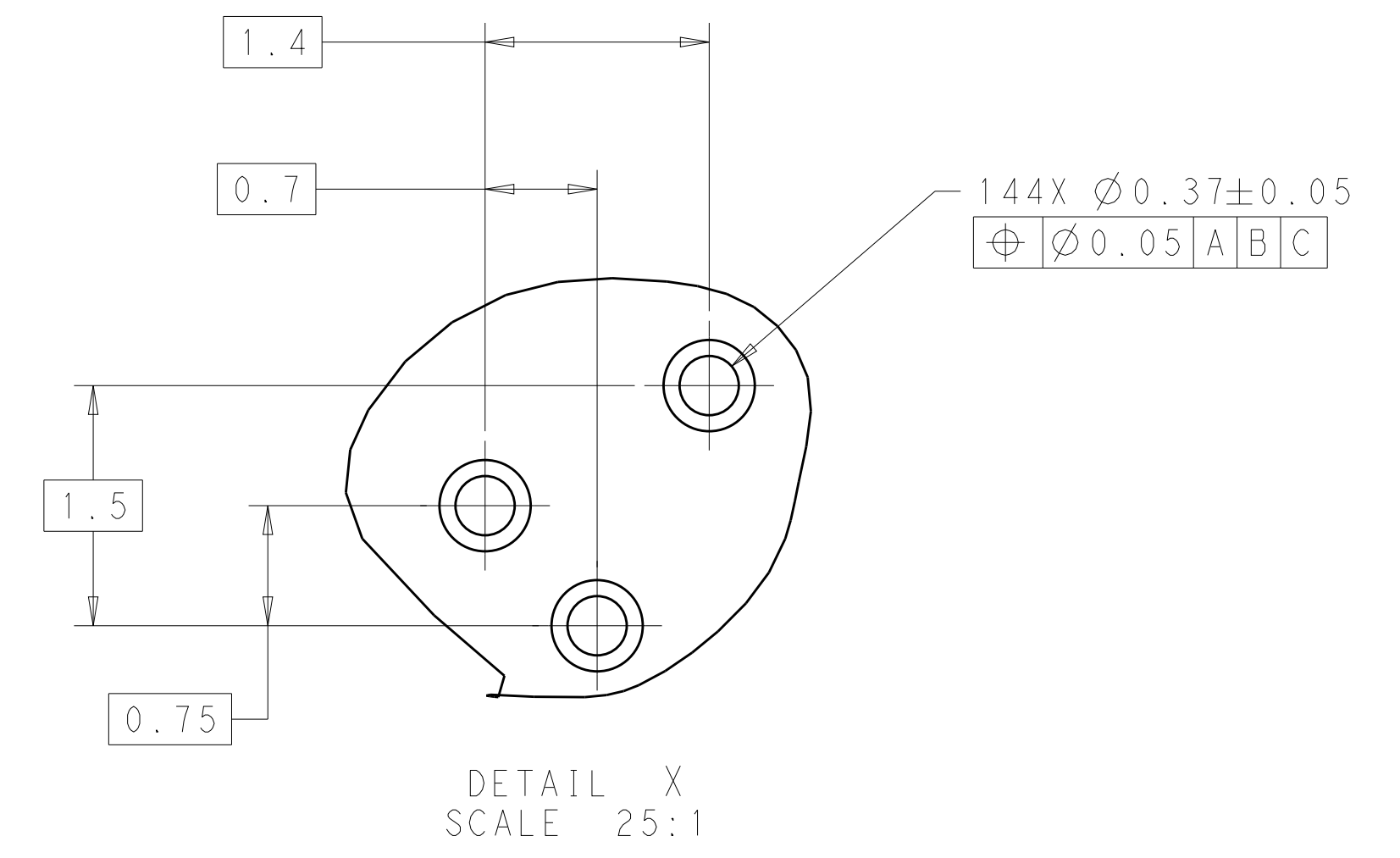
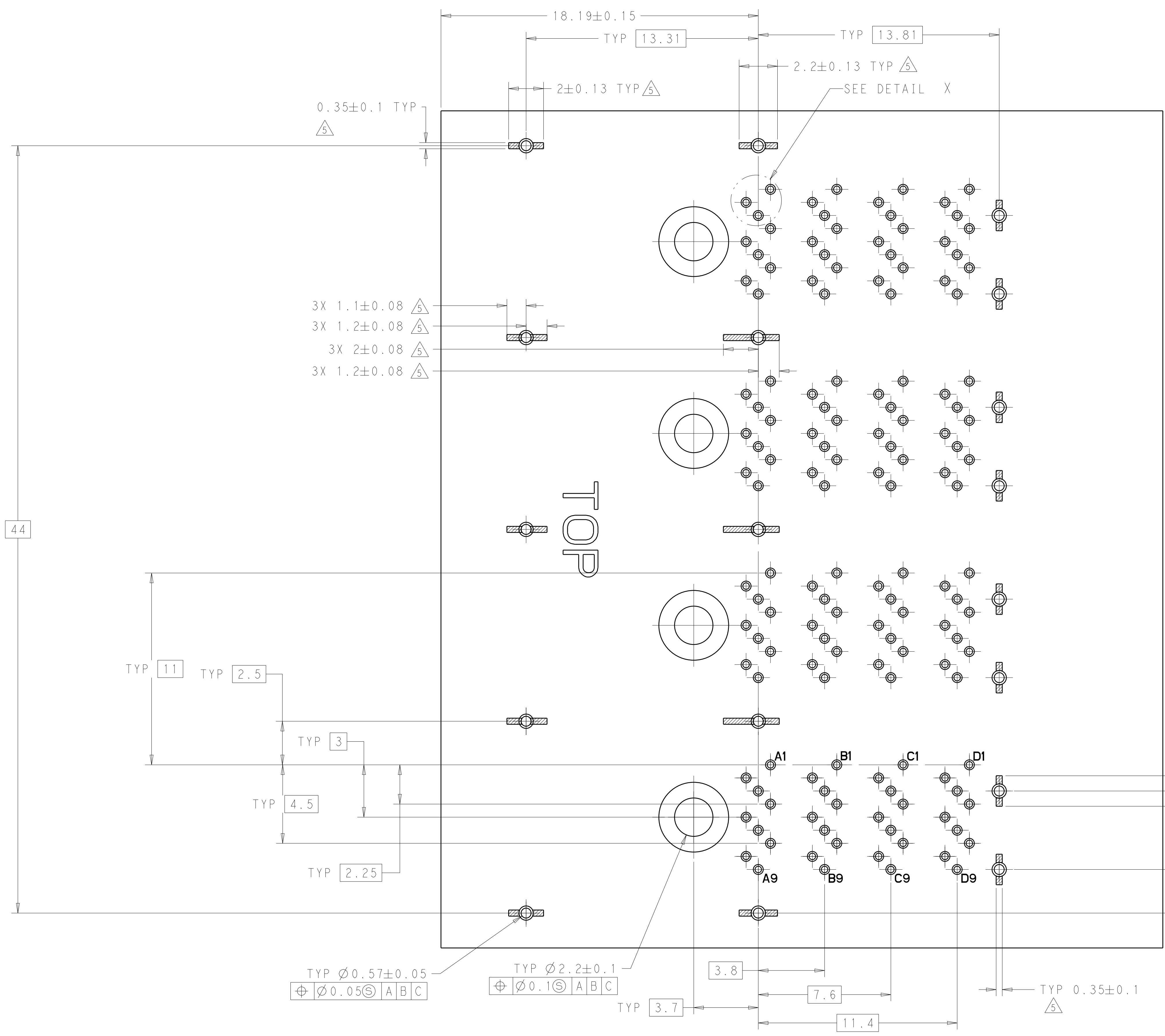
- 1. MATERIALS**
 RECEPTACLE HOUSING, LCP, BLACK, UL94V-0 RATED
 SHIELD ASSY: NICKEL SILVER COPPER ALLOY
 CONTACTS: COPPER ALLOY
 EMI SPRING: COPPER ALLOY
 THREADED NUT: BRASS
 CHICKLETS: LCP, BLACK, UL 94V-0 RATED
- 2. FINISH**
 EMI SPRING: TIN PLATE OVER NICKEL PLATE
 NON-PLATED EDGES PERMISSABLE
 THREADED NUT: NICKEL PLATE
- 3. CONTACT FINISH:** CONFORMS TO THE REQUIREMENTS OF TE PRODUCT SPECIFICATION, 108-2462. BASED ON EIA/ECA-364-1000.01A. (CONTROLLED ENVIRONMENT APPLICATIONS) ON MATING END. TIN PLATED ON PCB TAIL
- 4. THREAD LENGTH OF FASTENER = PCB THICKNESS+1.45 MAX**
- 5. RECOMMENDED TRACE KEEP OUT ZONE**



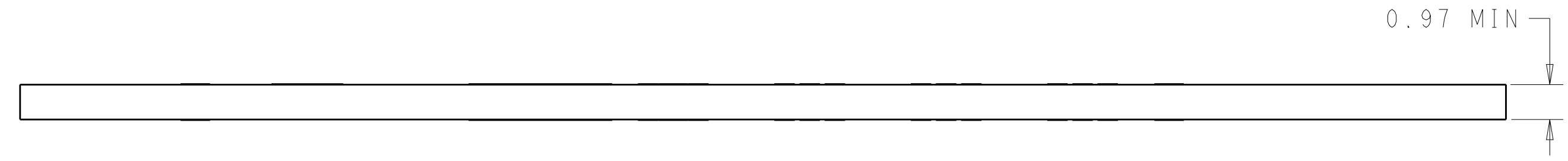
2214870-1
PART NUMBER

THIS DRAWING IS A CONTROLLED DOCUMENT.		DWN: J. SECHRIST 26MAR2012	TE Connectivity	
DIMENSIONS: mm		CHK: J. SECHRIST 26MAR2012	RECEPTACLE ASSEMBLY, MINI-SAS HD, 4X	
TOLERANCES UNLESS OTHERWISE SPECIFIED:		APVD: -	NAME	
0 PLC	±	PRODUCT SPEC	108-2462	
1 PLC	±	APPLICATION SPEC	114-13316	
2 PLC	±	WEIGHT	A100779C=2214870	
3 PLC	±	CUSTOMER DRAWING	SCALE 6:1 SHEET 1 OF 3 REV B	
4 PLC	±			
ANGLES	±			
FINISH				

LOC		DIST		REVISIONS			
P	LTN	DESCRIPTION	DATE	DWN	APVD		
-	-	SEE SHEET 1	-	-	-		



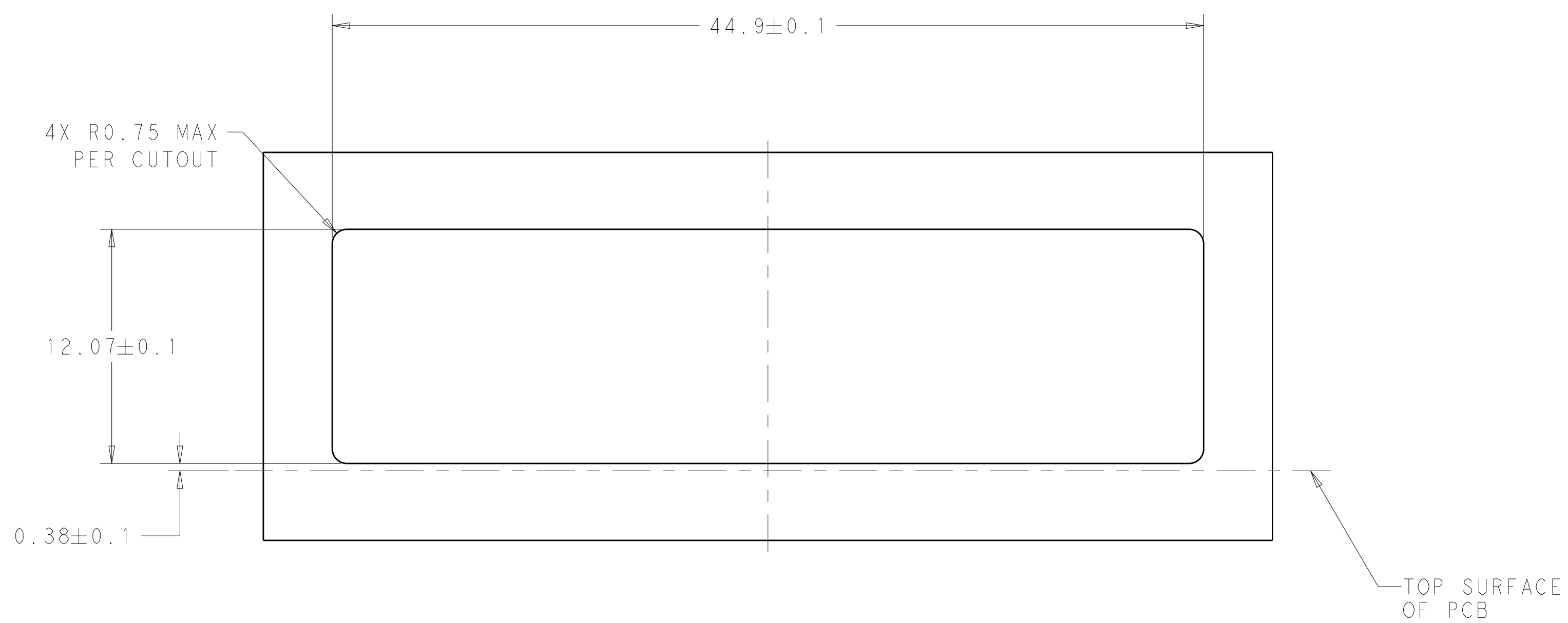
RECOMMENDED PCB LAYOUT



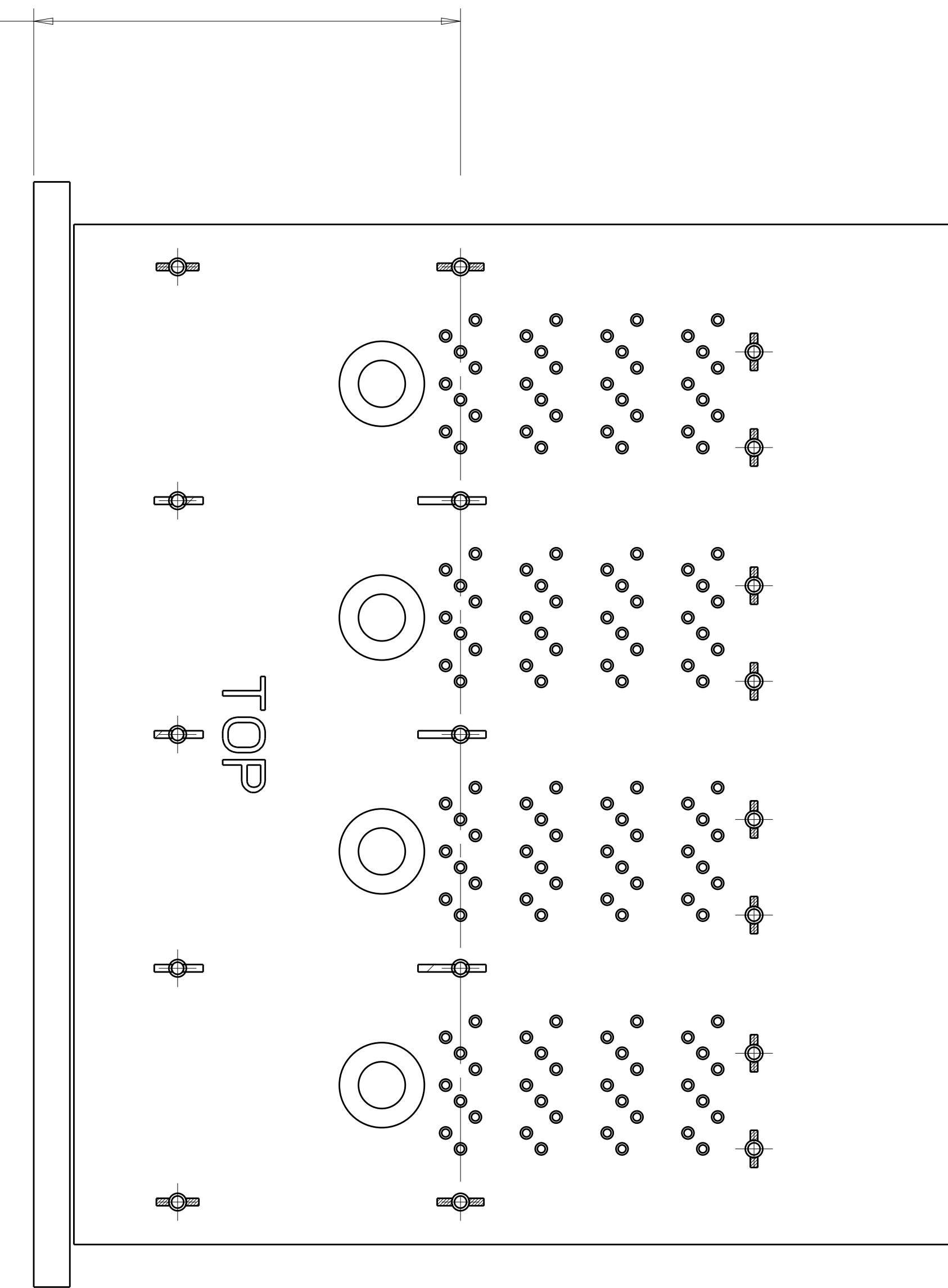
THIS DRAWING IS A CONTROLLED DOCUMENT.		DWN J. SECHRIST 26MAR2012	TE Connectivity RECEPTACLE ASSEMBLY, MINI-SAS HD, 4X
DIMENSIONS: mm		CHK J. SECHRIST 26MAR2012	
TOLERANCES UNLESS OTHERWISE SPECIFIED:		APVD -	NAME
0 PLC ±	1 PLC ±	PRODUCT SPEC	108-2462
2 PLC ±	3 PLC ±	APPLICATION SPEC	
4 PLC ±	ANGLES ±	114-13316	SIZE CAGE CODE DRAWING NO
MATERIAL	FINISH	WEIGHT	A100779C=2214870
CUSTOMER DRAWING		SCALE 6:1	SHEET 2 OF 3 REV B

LOC		DIST		REVISIONS			
P	LTN	DESCRIPTION	DATE	DWN	APVD		
-	-	SEE SHEET 1	-	-	-		

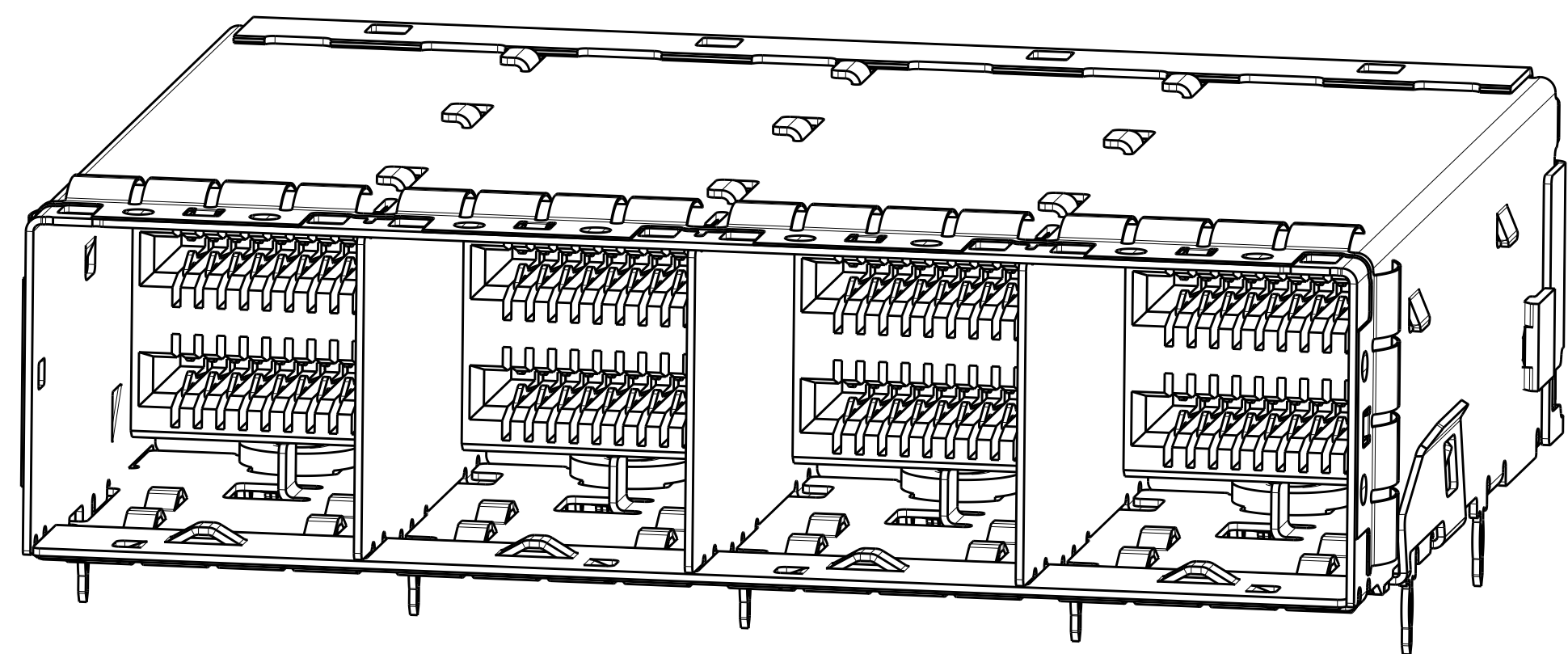
19 PCI APPLICATION
 20.08 ALL OTHER APPLICATIONS



RECOMMENDED I/O PANEL CUTOUT
 SCALE=5:1



PANEL/PCB ASSEMBLY
 SCALE=5:1



THIS DRAWING IS A CONTROLLED DOCUMENT.		DWN: J. SECHRIST 26MAR2012	
		CHK: J. SECHRIST 26MAR2012	
DIMENSIONS:		NAME	
mm	0 PLC ±	RECEPTACLE ASSEMBLY, MINI-SAS HD, 4X	
	1 PLC ±	PRODUCT SPEC	
	2 PLC ±	108-2462	
	3 PLC ±	APPLICATION SPEC	
	4 PLC ±		
MATERIAL	ANGLES ±	SIZE CAGE CODE DRAWING NO	RESTRICTED TO
	FINISH ±	114-13316	A100779C=2214870
		WEIGHT	
		CUSTOMER DRAWING	SCALE 5:1 SHEET 3 OF 3 REV B

X-ON Electronics

Largest Supplier of Electrical and Electronic Components

Click to view similar products for [I/O Connectors](#) category:

Click to view products by [TE Connectivity](#) manufacturer:

Other Similar products are found below :

[571763P](#) [72.250.1628.2](#) [72.250.2428.2](#) [74720-0505](#) [76.350.0729.0](#) [76871-1403](#) [FCN-244F080-G/1](#) [FCN-260A9920](#) [MP-5T180MUNNA-005](#)
[PCR-E36PM](#) [PCS-XE26MA+](#) [G38A71314B](#) [1571250010](#) [157-22500-3](#) [MS3471L14-19P L/C](#) [91-569786-35H](#) [172501-4002](#) [172501-6002](#)
[FCN-260C008-A/L0](#) [FCN-260C024-AL0](#) [FCN-261Z008](#) [2000314-1](#) [200331-1](#) [PCR-E36FC+](#) [PCS-E28FS+](#) [PCS-XE26SLFD+](#) [PCS-](#)
[XE26SLFDT+](#) [G730VID08BDC24](#) [U90B2054081210](#) [UE86K842720321](#) [38113800006](#) [DP3AR020WQ1R200](#) [Z4.102.0680.0](#) [500-1040](#)
[500-1052](#) [500-1054](#) [ZP-4008-66L](#) [0709821002](#) [10-565995-597N](#) [DX40-20P\(55\)](#) [5554841-1](#) [U90B3054061110](#) [U65-E04-4020](#)
[ZPF00000000097891](#) [557-262M2-06C](#) [747360449](#) [10099439-003C-TRLF](#) [10137239-0021LF](#) [E9320-001-01](#) [10137239-0011LF](#)