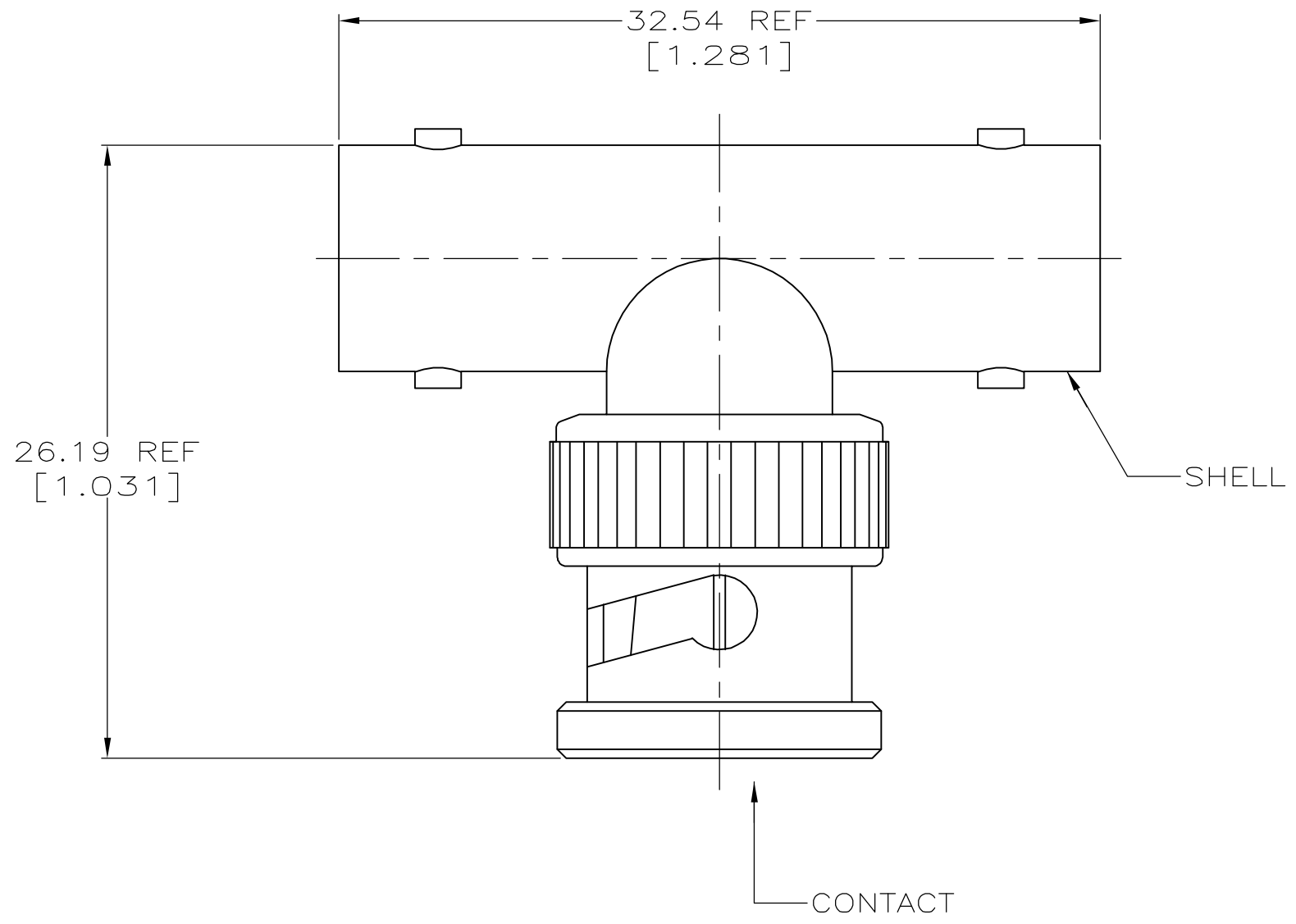


THIS DRAWING IS UNPUBLISHED. RELEASED FOR PUBLICATION
 © COPYRIGHT BY TYCO ELECTRONICS CORPORATION. ALL RIGHTS RESERVED.

LOC	DIST	REVISIONS			
P	LTR	DESCRIPTION	DATE	DWN	APVD
AJ	16	F	REVISED PER EC OS14-0456-04	09MAY05	BM JL

1. COMPARABLE TO UG/U CONNECTOR 274A
2. PART MAY BE INNER-MATED WITH PRODUCT PER MIL-C-39012
- 3 MATERIAL:
 DIELECTRIC: PTFE
 JACK, CENTER CONTACT: BERYLLIUM COPPER
 JACK, OUTER CONTACT: BRASS
 PLUG, CENTER CONTACT: BRASS
 PLUG, OUTER CONTACT: BRASS
- 4 GOLD PLATING PER MIL-G-45204, 0.76μm [.000030] MIN THICKNESS
- 5 NICKEL PLATING PER QQ-N-290, 2.54μm [.000100] MIN THICKNESS
- 6 SILVER PLATING PER QQ-S-365, 5.08μm [.000200] MIN THICKNESS
- 7 SEE SEPARATE RESTRICTED CUSTOMER DRAWING WITH THIS PN
- 8 SAME AS 221543-2 EXCEPT PACKAGED 5 PER BOX



	4	5	PART NUMBER
8 OBSOLETE	4	5	221543-9
7	-	-	221543-8
7	-	-	221543-7
SUPERSEDED BY 221543-2	4	6	221543-3
	4	5	221543-2
SUPERSEDED BY 413592-4	6	5	221543-1
	CONTACT	SHELL	
	FINISH		

THIS DRAWING IS A CONTROLLED DOCUMENT.		DWN M.E. COWHER 5-10-91	Tyco Electronics Corporation Harrisburg, Pa 17105-3608	
DIMENSIONS: mm [INCHES]		CHK J. LIPPERT 5-24-91	APVD -	
TOLERANCES UNLESS OTHERWISE SPECIFIED:		NAME T-ADAPTER, SERIES BNC		
0 PLC ± -		PRODUCT SPEC -		
1 PLC ± -		APPLICATION SPEC -		
2 PLC ± -		SIZE A2		
3 PLC ± -		CAGE CODE 00779		
4 PLC ± -		DRAWING NO G-221543		
ANGLES ± ± -		RESTRICTED TO -		
FINISH		WEIGHT -		
3		CUSTOMER DRAWING		
4 5 6		SCALE 4:1 SHEET 1 OF 1 REV F		

X-ON Electronics

Largest Supplier of Electrical and Electronic Components

Click to view similar products for [RF Adapters - Tee category](#):

Click to view products by [TE Connectivity manufacturer](#):

Other Similar products are found below :

[R142782000](#) [R114780000W](#) [R142780000W](#) [R143780000](#) [R143782000](#) [344A505](#) [TN2](#) [443A505](#) [5207-1501-000](#) [R125780000](#) [BNC-TA-JJJ\(40\)](#) [R125780001](#) [034-1023](#) [ADP-BNCF-2BNCF](#) [73148-5003](#) [31-208-1051](#) [CT3312](#) [53S301-K00N5](#) [CT2411](#) [43_SMB-50-0-2/111_NE](#) [32K301-K00L5](#) [46_SMA-50-0-1/111_NE](#) [51S303-K00N5](#) [32S301-K00L5](#) [43_N-50-0-1/133_NE](#) [CPAD705](#) [BN153](#) [031-208-1051](#) [031-70036](#) [082-102](#) [112455](#) [112456](#) [112459](#) [112461](#) [112462](#) [112567](#) [112590](#) [122354](#) [122356](#) [132216](#) [132217](#) [142300](#) [172125](#) [172127](#) [172233](#) [31-208](#) [31-208-RFX](#) [31-2208](#) [31-8](#) [34-1023](#)