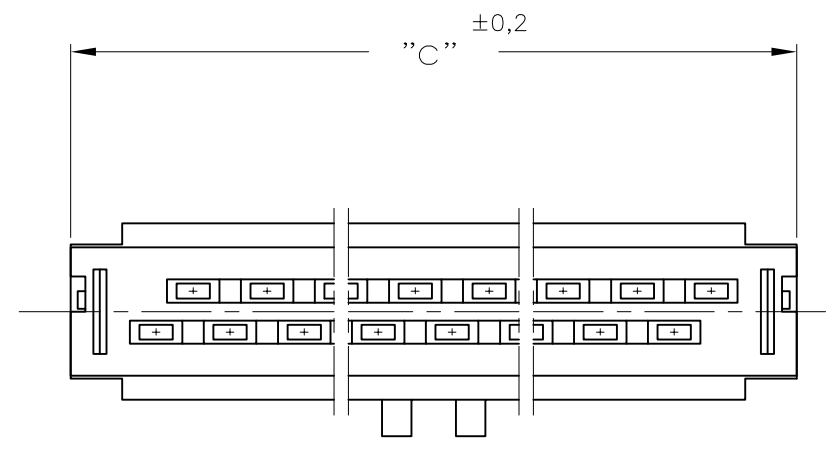
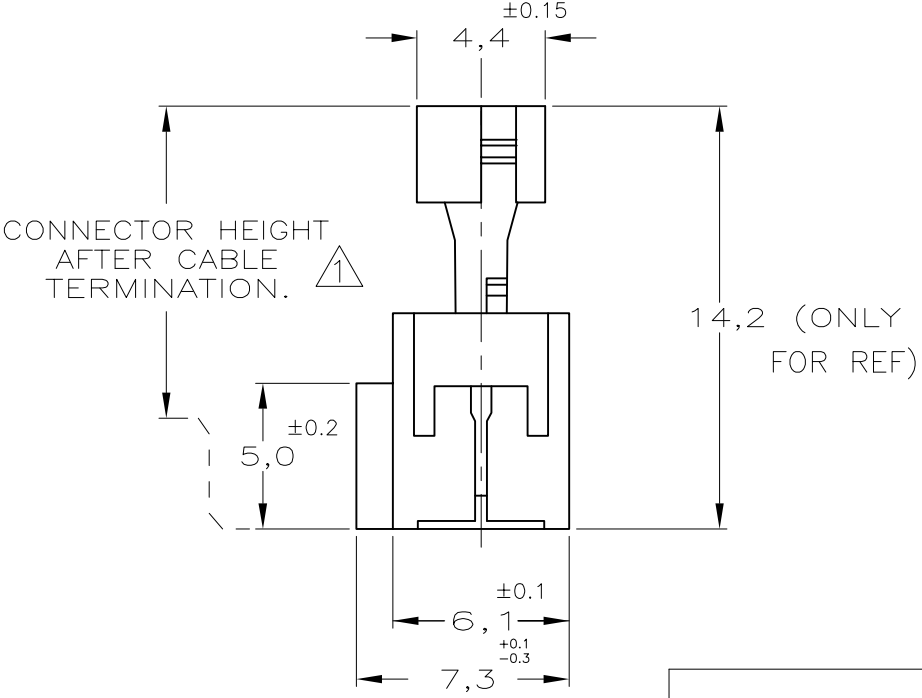
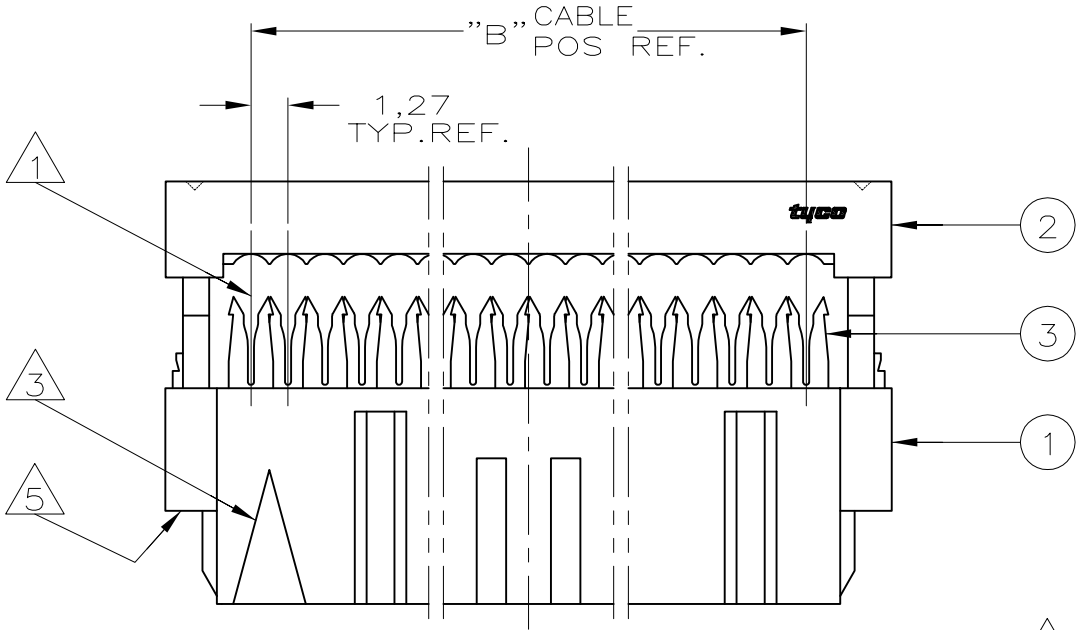


THIS DRAWING IS UNPUBLISHED. RELEASED FOR PUBLICATION
 © COPYRIGHT - By - ALL RIGHTS RESERVED.

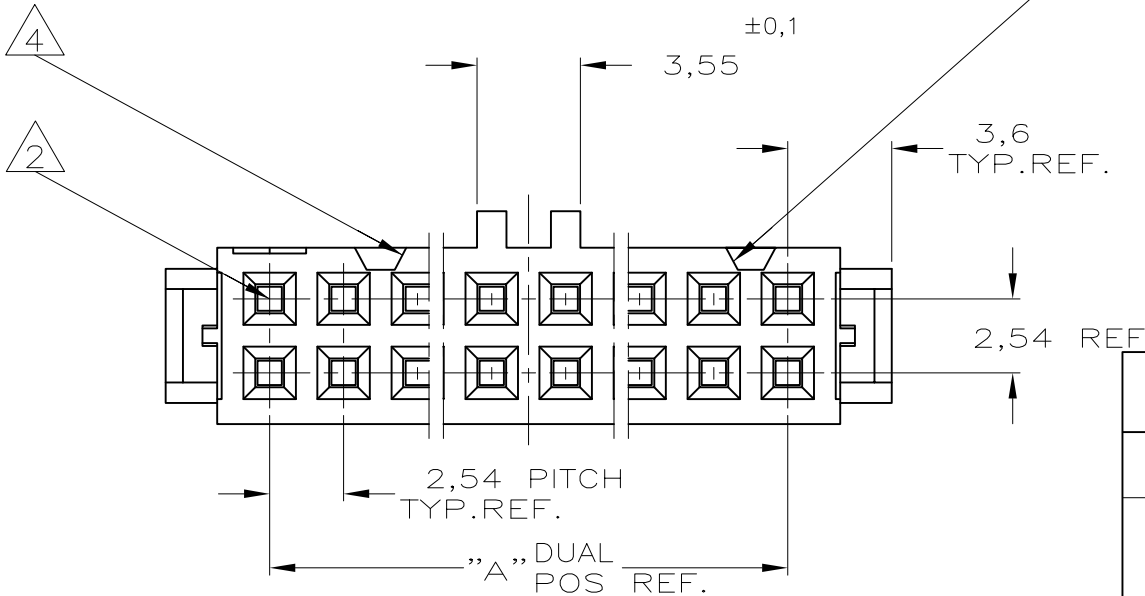
LOC	DIST	REVISIONS			
P	LTR	DESCRIPTION	DATE	DWN	APVD
J	-	E	ADDED PACKING INFORMATION	27JUN2012	Y.U T.K



- NOTES:
- ① CONNECTOR IS DESIGNED FOR FLAT RIBBON CABLE ON 1,27 CENTERS . FOR CABLE REQUIREMENTS SEE AMP APPLICATION SPECIFICATION 114-19022.
 - ② THESE RECEPTACLE CONNECTORS MATE WITH 0,64^{±0,05} mm SQUARE OR ROUND POSTS ON 2,54mm GRID.
 - ③ MARK INDICATING FIRST CABLE POSITION REFERRING TO CONTACT POSITION.
 - ④ THERE IS NO POLARIZATION-SLOT AT THIS END IN 6, 10 AND 14 POS CONNECTORS.
 - ⑤ THESE CONNECTORS CAN BE USED IN CONJUNCTION WITH STRAIN-RELIEF COVERS OF PARTNR: 182762.
 - ⑥ THERE IS NO POLARIZATION-SLOT AT THIS END IN 6 POS CONNECTORS.
 - ⑦ PRODUCT SPECIFICATION 108-19033.
 - ⑧ OBSOLETE PARTS: OBSOLETE CIS STREAMLINING PER D.RENAUD/D.SINISI



DIM."C"	"B" CABLE POS.	"A" DUAL POS.	PARTNUMBER	PART REV.	
85,9	64	32	6-215911-4	D	
80,8	60	30	6-215911-0	D	
68,1	50	25	5-215911-0	D	
60,5	44	22	4-215911-4	D	
55,4	40	20	4-215911-0	D	
47,8	34	17	3-215911-4	D	
42,7	30	15	3-215911-0	D	
37,6	26	13	2-215911-6	D	
30,0	20	10	2-215911-0	D	
24,9	16	8	1-215911-6	D	
22,4	14	7	1-215911-4	D	
17,3	10	5	1-215911-0	D	
OBSOLETE	14,8	8	4	0-215911-8	C
OBSOLETE	12,2	6	3	0-215911-6	D
OBSOLETE	9,7	4	2	0-215911-4	C



COMPONENT NAME	MATERIAL	PLATING / COLOUR
③ RECEPTACLE CONTACT	PHOSPHORBRONZE Cu Sn6	AT CONTACT-PLACE: 0,2µmGOLD AT WIRING END: 2,5µmTIN ENTIRE UNDERCOATING: 1,27µmNICKEL
② COVER	THERMOPLASTIC POLYESTER UL 94 -V0	GREY RAL 7032 (ONLY FOR REF.)
① HOUSING		

THIS DRAWING IS A CONTROLLED DOCUMENT.

DIMENSIONS: mm	TOLERANCES UNLESS OTHERWISE SPECIFIED:	DWN W.R.VERBEET 04FEB1988	STE TE Connectivity	
	0 PLC ± - 1 PLC ± - 2 PLC ± - 3 PLC ± - 4 PLC ± - ANGLES ± -	CHK R.VERSTIJNEN 05FEB1988		
MATERIAL SEE TABLE	FINISH SEE TABLE	APVD L.V.SOEST 05FEB1988	NAME AMP-LATCH_MIL-TYPE RECEPTACLE_CONNECTOR ASSEMBLY_(SYMMETRIC_COVER)	
		PRODUCT SPEC -	SIZE A3	CAGE CODE 00779
		APPLICATION SPEC -	DRAWING NO C-215911	RESTRICTED TO -
		WEIGHT -	CUSTOMER DRAWING	
			SCALE 4:1	SHEET 1 OF 2
				REV E

4

3

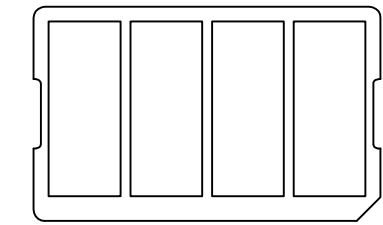
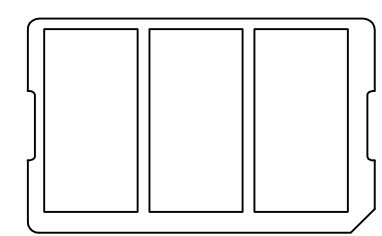
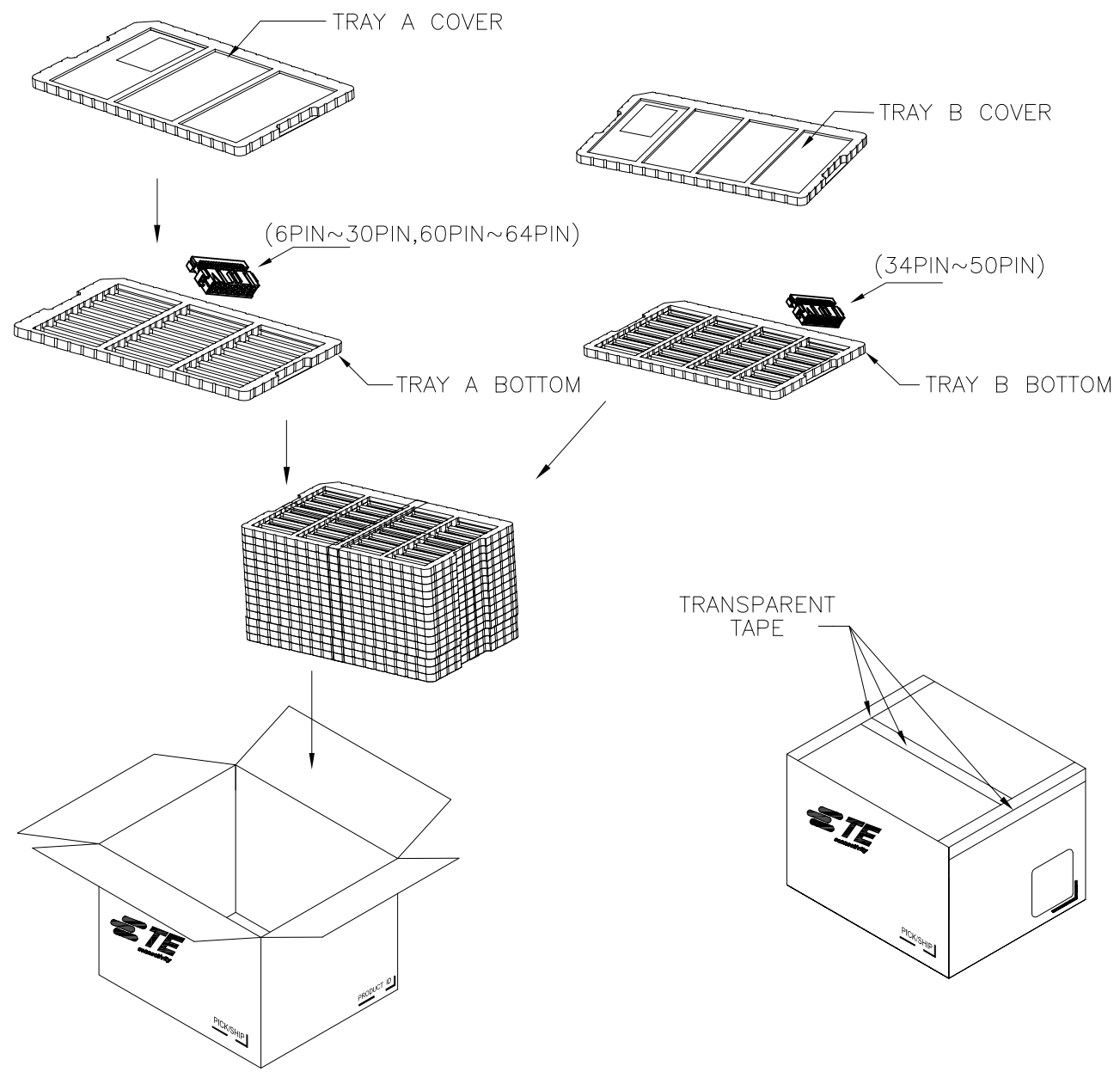
2

1

THIS DRAWING IS UNPUBLISHED. RELEASED FOR PUBLICATION
© COPYRIGHT - By - ALL RIGHTS RESERVED.

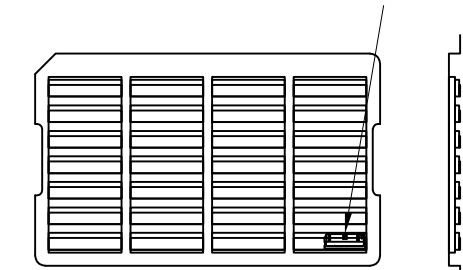
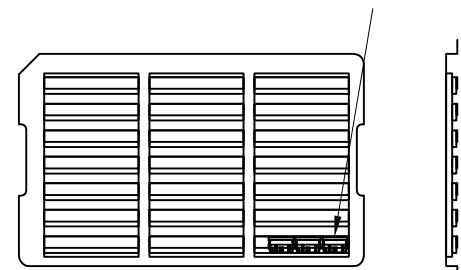
LOC	DIST	REVISIONS					
		P	LTR	DESCRIPTION	DATE	DWN	APVD
J	-	-	-	SEE SHEET 1	-	-	-

PACKAGING SPECIFICATION



TRAY A COVER

TRAY B COVER



TRAY A BOTTOM

TRAY B BOTTOM

THIS DRAWING IS A CONTROLLED DOCUMENT.		DWN W.R.VERBEET.	04FEB1988	STE TE Connectivity	
		CHK R.VERSTIJNEN	05FEB1988		
		APVD L.V.SOEST	05FEB1988	NAME	
DIMENSIONS: mm		TOLERANCES UNLESS OTHERWISE SPECIFIED:		AMP-LATCH_MIL-TYPE RECEPTACLE_CONNECTOR ASSEMBLY_(SYMMETRIC_COVER)	
		0 PLC ± -		SIZE	
		1 PLC ± -		CAGE CODE	
		2 PLC ± -		DRAWING NO	
		3 PLC ± -		RESTRICTED TO	
		4 PLC ± -		A3 00779 C-215911	
		ANGLES ± -		SCALE	
MATERIAL		FINISH		SHEET	
				2 OF 2	
				REV E	
				CUSTOMER DRAWING	

X-ON Electronics

Largest Supplier of Electrical and Electronic Components

Click to view similar products for [Headers & Wire Housings](#) category:

Click to view products by [TE Connectivity](#) manufacturer:

Other Similar products are found below :

[892-18-020-10-001101](#) [58102-G61-06LF](#) [582553-1](#) [0009485154](#) [009176003701906](#) [0050291907](#) [LY20-4P-DT1-P1E-BR](#) [02.125.8002.8](#)
[609-3404](#) [61062-3](#) [61082-181009](#) [622-3653LF](#) [63453-116](#) [636-1030](#) [636-1427](#) [636-3427](#) [636-4007](#) [641938-9](#) [641991-4](#) [644827-2](#) [65817-](#)
[010LF](#) [65817-015LF](#) [65863-015LF](#) [66207-023LF](#) [67095-007LF](#) [67601157](#) [68645-018](#) [68648-049](#) [70.362.1628.0](#) [70-4210](#) [70-4226B](#) [70-](#)
[4853B](#) [707-5020](#) [707-5028](#) [71.350.2428.0](#) [71918-208LF](#) [71961-016LF](#) [733-134](#) [733-162](#) [754199-000](#) [760-3052](#) [787-8014-00](#) [79531-3000](#)
[FCN-360C032-B](#) [FCN-367T-T012/H](#) [FCN-723D010/2](#) [80.063.4001.1](#) [800-90-001-10-001000](#) [800-90-010-10-002000](#) [801-43-002-10-013000](#)