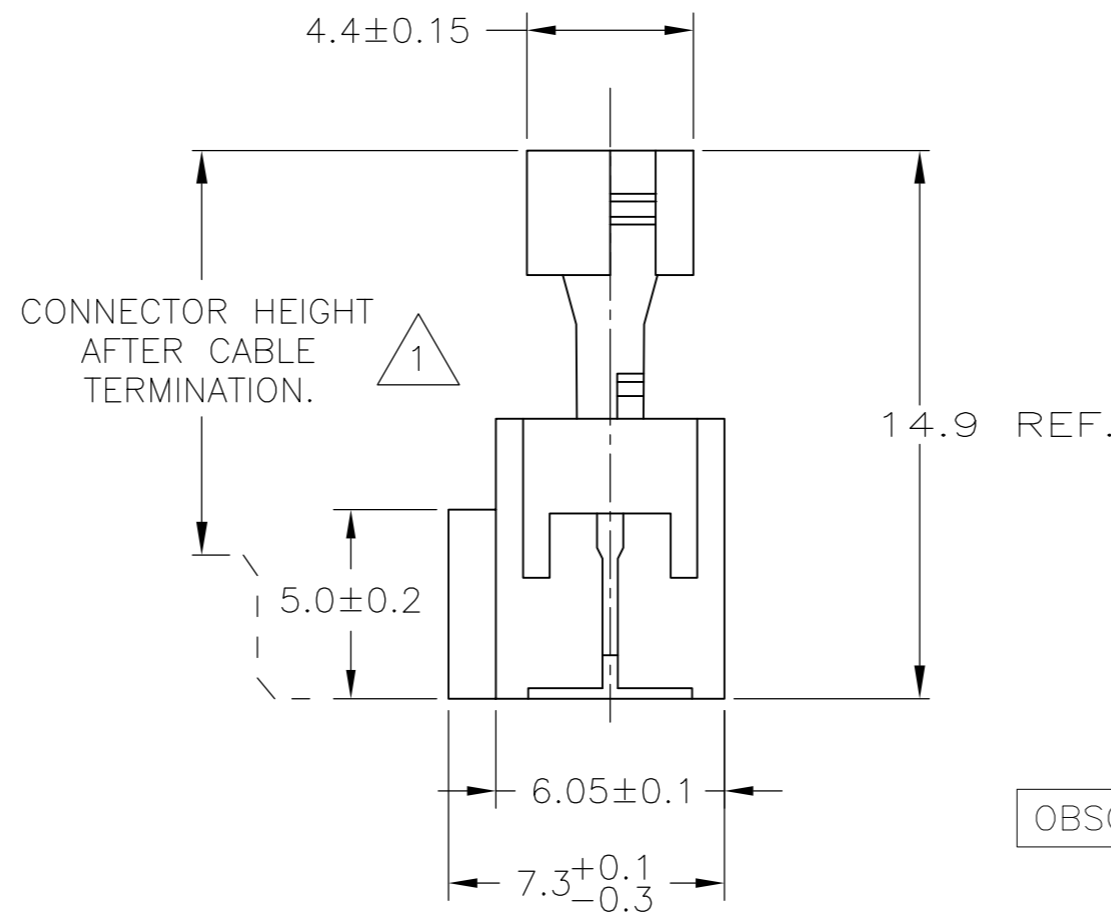
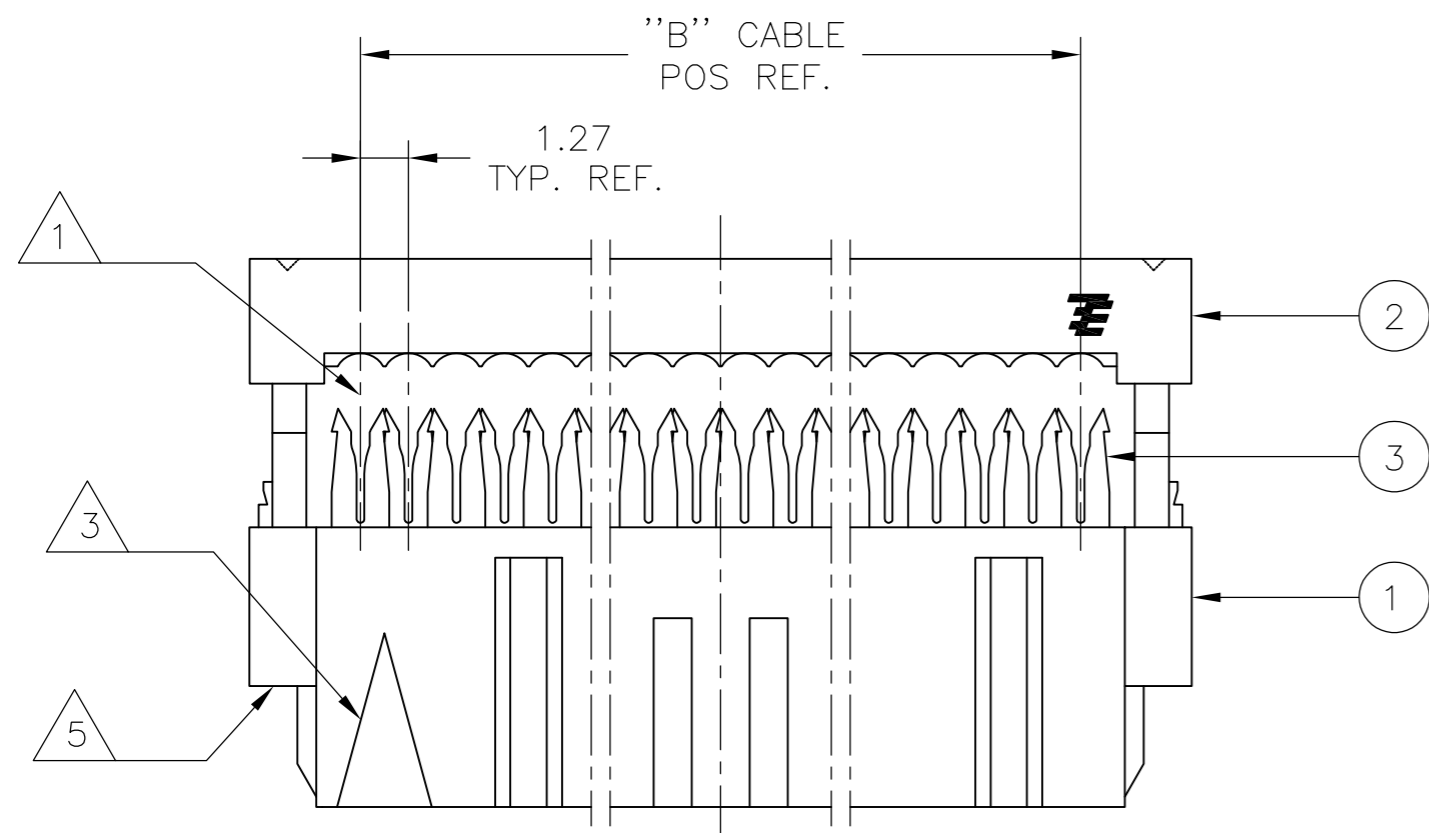
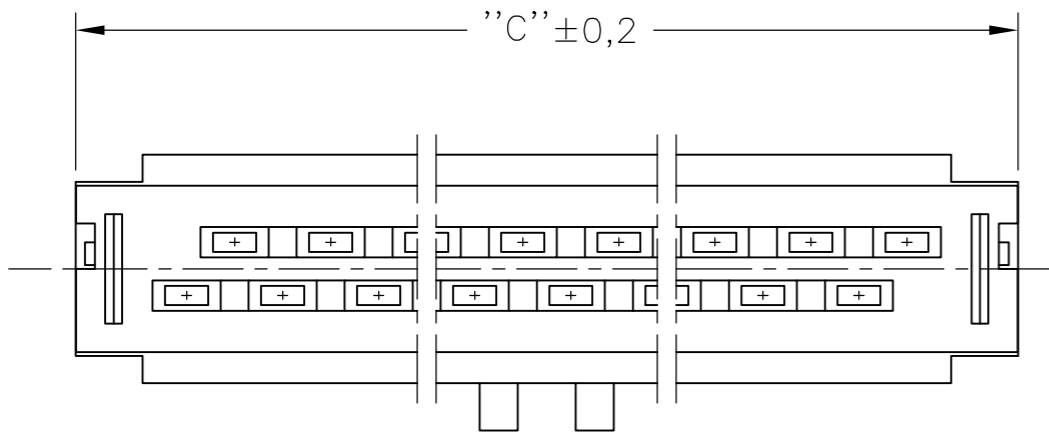


THIS DRAWING IS UNPUBLISHED. RELEASED FOR PUBLICATION
 © COPYRIGHT - By - ALL RIGHTS RESERVED.

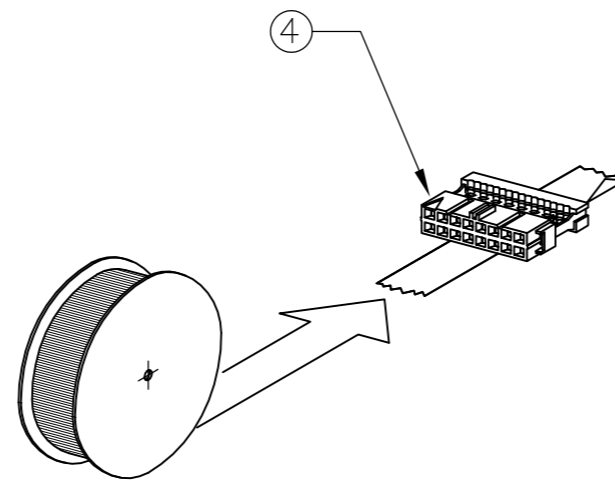
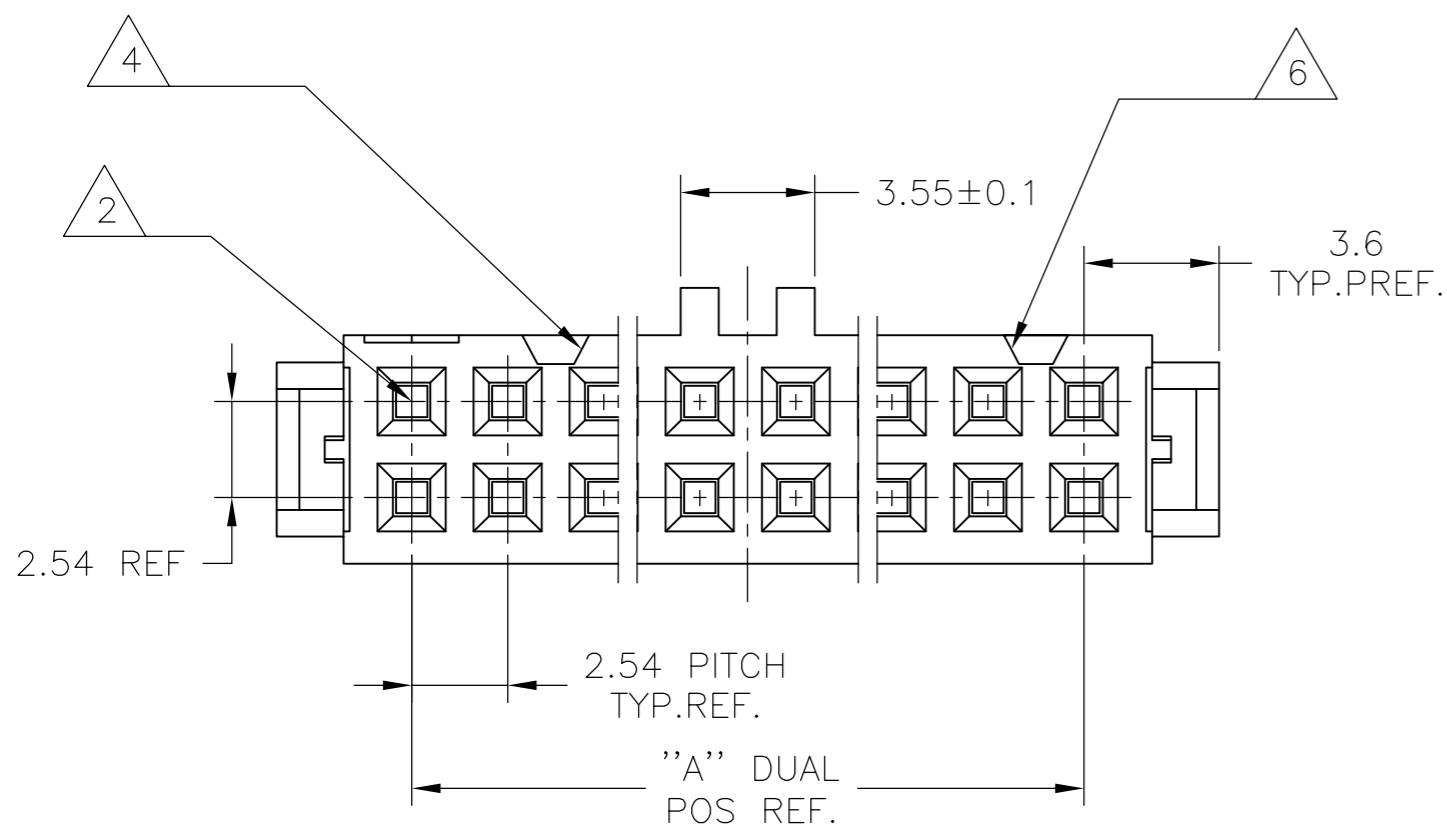
| LOC | | DIST | | REVISIONS | | | |
|-----|-----|-------------|---------------------------|-----------|-----|------|--|
| P | LTR | DESCRIPTION | | DATE | DWN | APVD | |
| - | - | E | REVISED PER ECO-14-013012 | 15DEC2014 | AP | PR | |

- ① CONNECTOR IS DESIGNED FOR FLAT RIBBON CABLE ON 1.27 CENTERS. FOR CABLE REQUIREMENTS SEE THE APPLICATION SPECIFICATION 114-19022.
- ② THESE RECEPTACLE CONNECTORS MATE WITH 0.64±0.05mm SQUARE OR ROUND POSTS ON 2.54mm GRID.
- ③ MARK INDICATING FIRST CABLE POSITION REFERRING TO CONTACT POSITION.
- ④ THERE IS NO POLARIZATION-SLOT AT THIS END IN 6, 10 AND 14 POS CONNECTORS.
- ⑤ THESE CONNECTORS CAN BE USED IN CONJUNCTION WITH STRAIN-RELIEF COVERS OF PARTNR: 100103.
- ⑥ THERE IS NO POLARIZATION-SLOT AT THIS END IN 6 POS CONNECTORS.
- ⑦ PRODUCT SPECIFICATION 108-19033.



| COMPONENT NAME | MATERIAL | PLATING / COLOUR |
|----------------------|--|---|
| ③ RECEPTACLE CONTACT | PHOSPHORBRONZE Cu Sn6 | AT CONTACT-PLACE: 0,8µ GOLD AT WIRING END: 2,5µ TIN ENTIRE UNDERCOATING: 1,27µ NICKEL |
| ② COVER | THERMOPLASTIC POLYESTER GF UL 94 -V0 | GREY RAL 7032 ONLY FOR REF. |
| ① HOUSING | | |

| QUANTITY PER REEL | DIM."C" | "B" CABLE POS. | "A" DUAL POS. | PARTNUMBER ④ | PART REV. |
|-------------------|---------|----------------|---------------|--------------|-----------|
| 500 | 85,9 | 64 | 32 | 6-215915-4 | D |
| 500 | 80,8 | 60 | 30 | 6-215915-0 | D |
| 500 | 68,1 | 50 | 25 | 5-215915-0 | D |
| OBSOLETE | 1500 | 60,5 | 44 | 4-215915-4 | D |
| 750 | 55,4 | 40 | 20 | 4-215915-0 | D |
| OBSOLETE | 1500 | 47,8 | 34 | 3-215915-4 | D |
| OBSOLETE | 1500 | 42,7 | 30 | 3-215915-0 | D |
| 1500 | 37,6 | 26 | 13 | 2-215915-6 | D |
| 1500 | 30,0 | 20 | 10 | 2-215915-0 | D |
| 1500 | 24,9 | 16 | 8 | 1-215915-6 | D |
| 1500 | 22,4 | 14 | 7 | 1-215915-4 | D |
| 1500 | 17,3 | 10 | 5 | 1-215915-0 | D |
| OBSOLETE | 1500 | 14,8 | 8 | 0-215915-8 | B |
| 1500 | 12,2 | 6 | 3 | 0-215915-6 | D |
| OBSOLETE | 1500 | 9,7 | 4 | 0-215915-4 | B |



THIS DRAWING IS A CONTROLLED DOCUMENT.

| | | |
|------|--------------|----------|
| DWN | R.HOGEVEEN | 02-02-88 |
| CHK | R.VERSTIJNEN | 03-02-88 |
| APVD | L.V.SOEST | 03-02-88 |

TE Connectivity

AMP-LATCH MIL-TYPE RECEPT. CONN. ASS'Y 14,9 PRE-ASSEMBLED 0.8µm SELECTIVE GOLDPLATE ④

| | | | | | | | |
|-------|-----|-----------|--------|------------|----------|---------------|---|
| SIZE | A2 | CAGE CODE | 00779 | DRAWING NO | C=215915 | RESTRICTED TO | - |
| SCALE | 5:1 | SHEET | 1 of 1 | REV | E | | |

CUSTOMER DRAWING

X-ON Electronics

Largest Supplier of Electrical and Electronic Components

Click to view similar products for [Headers & Wire Housings](#) category:

Click to view products by [TE Connectivity](#) manufacturer:

Other Similar products are found below :

[892-18-020-10-001101](#) [58102-G61-06LF](#) [582553-1](#) [0009485154](#) [009176003701906](#) [0050291907](#) [LY20-4P-DT1-P1E-BR](#) [02.125.8002.8](#)
[609-3404](#) [61062-3](#) [61082-181009](#) [622-3653LF](#) [63453-116](#) [636-1030](#) [636-1427](#) [636-3427](#) [636-4007](#) [641938-9](#) [641991-4](#) [644827-2](#) [65817-](#)
[010LF](#) [65817-015LF](#) [65863-015LF](#) [66207-023LF](#) [67095-007LF](#) [67601157](#) [68645-018](#) [68648-049](#) [70.362.1628.0](#) [70-4210](#) [70-4226B](#) [70-](#)
[4853B](#) [707-5020](#) [707-5028](#) [71.350.2428.0](#) [71918-208LF](#) [71961-016LF](#) [733-134](#) [733-162](#) [754199-000](#) [760-3052](#) [787-8014-00](#) [79531-3000](#)
[FCN-360C032-B](#) [FCN-367T-T012/H](#) [FCN-723D010/2](#) [80.063.4001.1](#) [800-90-001-10-001000](#) [800-90-010-10-002000](#) [801-43-002-10-013000](#)