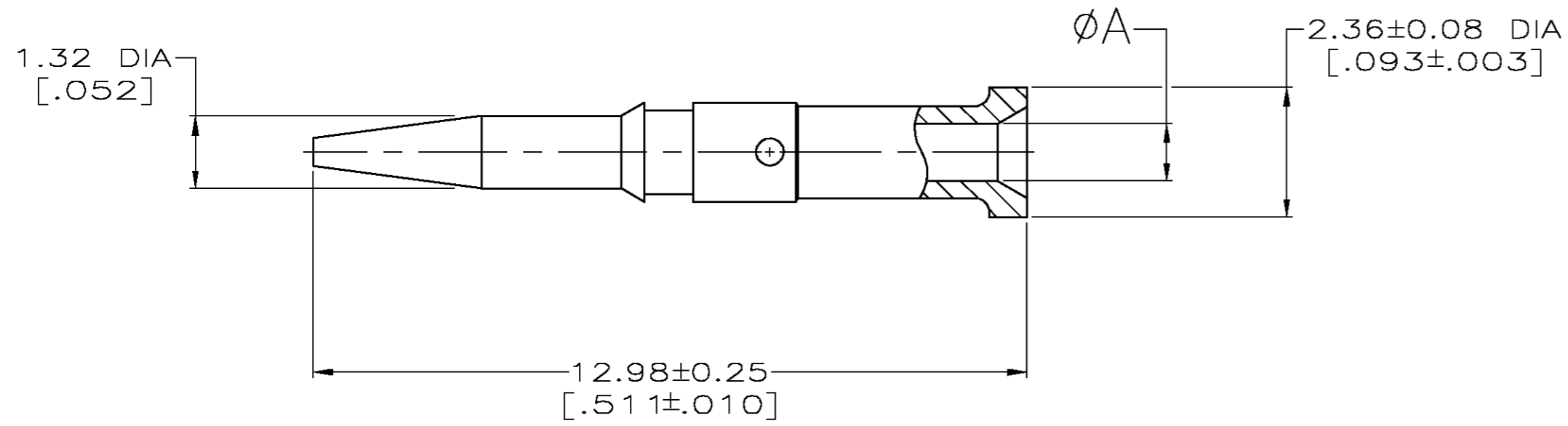


THIS DRAWING IS UNPUBLISHED. RELEASED FOR PUBLICATION
 © COPYRIGHT BY TYCO ELECTRONICS CORPORATION. ALL RIGHTS RESERVED.

| LOC | DIST | REVISIONS | | | | | |
|-----|------|-----------|-----|----------------------|----------|-----|------|
| | | P | LTR | DESCRIPTION | DATE | DWN | APVD |
| AJ | 16 | | H | REV PER OS14-0336-04 | 09-28-04 | JDP | JL |

- 1 TIN-LEAD PL PER ASTM-B-545
- 2 GOLD PL PER MIL-G-45204
- 3 SILVER PL PER QQ-S-365
- 4 TIN PL PER ASTM-B-545 WITH SUPPLEMENTAL ANTI-FRETTING LUBRICANT.
- 5 BRASS PER ASTM B-16



OBSOLETE

| | | |
|---|-------------|------------|
| 4 | 0.38 [.015] | 9-221607-4 |
| 4 | 0.61 [.024] | 9-221607-3 |
| 4 | 0.79 [.031] | 9-221607-2 |
| 4 | 0.79 [.031] | 9-221607-1 |
| 4 | 0.99 [.039] | 9-221607-0 |
| 2 | 1.19 [.047] | 2-221607-8 |
| 3 | 0.38 [.015] | 2-221607-6 |
| 2 | 0.38 [.015] | 2-221607-5 |
| 1 | 0.38 [.015] | 2-221607-4 |
| 2 | 0.61 [.024] | 2-221607-2 |
| 3 | 0.61 [.024] | 2-221607-1 |
| 1 | 0.61 [.024] | 2-221607-0 |
| 3 | 1.12 [.044] | 1-221607-8 |
| 1 | 1.12 [.044] | 1-221607-7 |
| 2 | 1.12 [.044] | 1-221607-6 |
| 2 | 0.79 [.031] | 1-221607-4 |
| 3 | 0.79 [.031] | 221607-8 |
| 3 | 0.99 [.039] | 221607-7 |
| 2 | 0.79 [.031] | 221607-6 |
| 2 | 0.99 [.039] | 221607-5 |
| 1 | 0.79 [.031] | 221607-4 |
| 1 | 0.99 [.039] | 221607-2 |

FINISH ØA PART #

| | | | | |
|--|--|---------------------------------|---|--|
| THIS DRAWING IS A CONTROLLED DOCUMENT. | | DWN M. SNEED 5-10-90 | Tyco Electronics Corporation Harrisburg, Pa 17105-3608 | |
| DIMENSIONS: INCHES | | CHK D. LAMAN 7-6-90 | APVD - | |
| TOLERANCES UNLESS OTHERWISE SPECIFIED: | | NAME CONTACT, MALE BNC | | |
| 0 PLC ± - | | PRODUCT SPEC | | |
| 1 PLC ± - | | APPLICATION SPEC | | |
| 2 PLC ± - | | - | | |
| 3 PLC ± .002 | | SIZE A2 | | |
| 4 PLC ± - | | CAGE CODE 00779 | | |
| ANGLES ± - | | DRAWING NO C=221607 | | |
| FINISH SEE TABLE | | RESTRICTED TO - | | |
| MATERIAL | | WEIGHT - | | |
| | | SCALE 10:1 | | |
| | | SHEET 1 OF 1 | | |
| | | REV H | | |
| | | CUSTOMER DRAWING | | |

X-ON Electronics

Largest Supplier of Electrical and Electronic Components

Click to view similar products for [RF Connectors / Coaxial Connectors](#) category:

Click to view products by [TE Connectivity](#) manufacturer:

Other Similar products are found below :

[8915-1511-000](#) [89674-0827](#) [6001-7071-019](#) [6002-7051-003](#) [6002-7551-202](#) [6059674-1](#) [619550-1](#) [630059-000](#) [M39030/3-01N](#) [6500-7071-046](#) [6769](#) [CX050L2AQ](#) [7002-1541-010](#) [7002-1542-011](#) [7004-1512-000](#) [7009-1511-004](#) [7010-1511-000](#) [7029-1511-060](#) [7101-1541-010](#) [7101-1571-002](#) [7105-1521-002](#) [7145-1521-002](#) [7203-1571-003](#) [7209-1511-011](#) [7210-1511-015](#) [7210-1511-019](#) [73137-5015](#) [73216-2241](#) [73404-2300](#) [7405-1521-005](#) [7405-1521-802](#) [8527](#) [8547](#) [FS11V](#) [877931](#) [9049-9513-000](#) [9074-9513-000](#) [9101-9573-002](#) [910A205F](#) [9130-9573-002](#) [PL11SC-026](#) [PL375-33](#) [PL40-5](#) [PL74C-221](#) [PL75MC-217](#) [PL803-7](#) [1200690078](#) [1-201144-1](#) [R107003010W](#) [R110A172100](#)