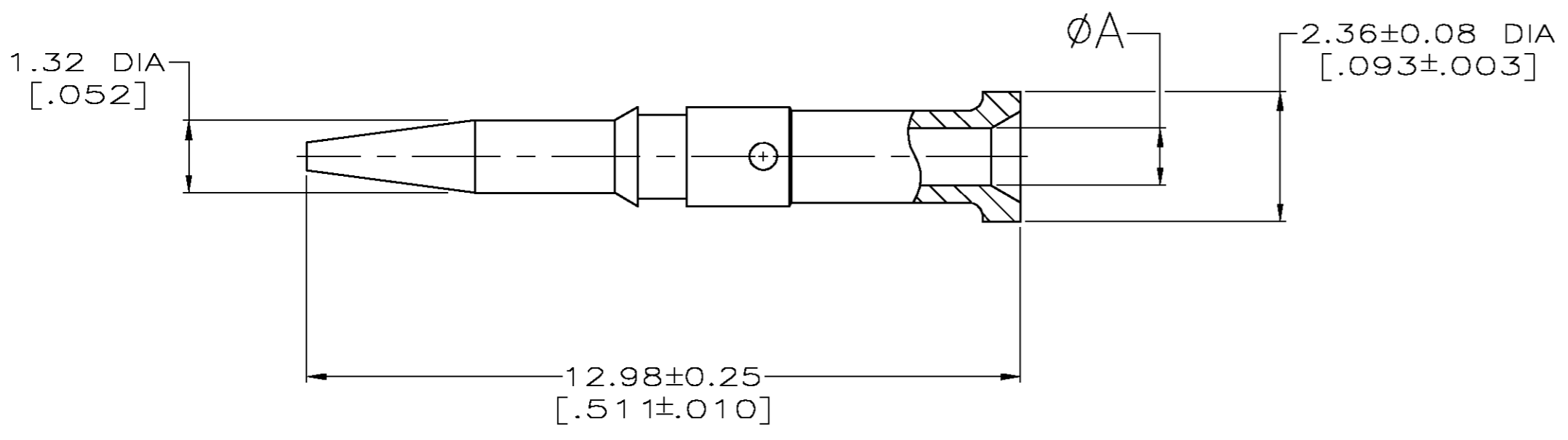


THIS DRAWING IS UNPUBLISHED. RELEASED FOR PUBLICATION
 © COPYRIGHT BY TYCO ELECTRONICS CORPORATION. ALL RIGHTS RESERVED.

LOC	DIST	REVISIONS					
		P	LTR	DESCRIPTION	DATE	DWN	APVD
AJ	16		H	REV PER OS14-0336-04	09-28-04	JDP	JL



- 1 TIN-LEAD PL PER ASTM-B-545
- 2 GOLD PL PER MIL-G-45204
- 3 SILVER PL PER QQ-S-365
- 4 TIN PL PER ASTM-B-545 WITH SUPPLEMENTAL ANTI-FRETTING LUBRICANT.
- 5. BRASS PER ASTM B-16

OBSOLETE

4	0.38 [.015]	9-221607-4
4	0.61 [.024]	9-221607-3
4	0.79 [.031]	9-221607-2
4	0.79 [.031]	9-221607-1
4	0.99 [.039]	9-221607-0
2	1.19 [.047]	2-221607-8
3	0.38 [.015]	2-221607-6
2	0.38 [.015]	2-221607-5
1	0.38 [.015]	2-221607-4
2	0.61 [.024]	2-221607-2
3	0.61 [.024]	2-221607-1
1	0.61 [.024]	2-221607-0
3	1.12 [.044]	1-221607-8
1	1.12 [.044]	1-221607-7
2	1.12 [.044]	1-221607-6
2	0.79 [.031]	1-221607-4
3	0.79 [.031]	221607-8
3	0.99 [.039]	221607-7
2	0.79 [.031]	221607-6
2	0.99 [.039]	221607-5
1	0.79 [.031]	221607-4
1	0.99 [.039]	221607-2

FINISH ØA PART #

THIS DRAWING IS A CONTROLLED DOCUMENT.		DWN M. SNEED 5-10-90	Tyco Electronics Corporation Harrisburg, Pa 17105-3608	
DIMENSIONS: INCHES		CHK D. LAMAN 7-6-90	NAME	
TOLERANCES UNLESS OTHERWISE SPECIFIED:		APVD	CONTACT, MALE BNC	
0 PLC ± - 1 PLC ± - 2 PLC ± - 3 PLC ± .002 4 PLC ± - ANGLES ± -		PRODUCT SPEC	SIZE CAGE CODE DRAWING NO	
MATERIAL		APPLICATION SPEC	RESTRICTED TO	
FINISH SEE TABLE		WEIGHT	A2 00779 C=221607	
		CUSTOMER DRAWING	SCALE 10:1	SHEET 1 OF 1 REV H

X-ON Electronics

Largest Supplier of Electrical and Electronic Components

Click to view similar products for [Barrier Terminal Blocks](#) category:

Click to view products by [TE Connectivity](#) manufacturer:

Other Similar products are found below :

[CR151D20104](#) [670A-RZ-15-KT20](#) [6C1N03](#) [6PCR-02](#) [6PCR-02-008](#) [6PCR-05-008](#) [6PCR-08-008](#) [6PCR-09-008](#) [6PCR-13-006](#) [6PCR-15-006](#) [6PCR-21-006](#) [6PCV-06-008](#) [6PCV-06-716](#) [6PCV-09-001](#) [6PCV-10-009](#) [6PCV-15-008](#) [6PCV-17-1206](#) [6PCV-20-323](#) [6PCV-20-720](#) [6PCV-30-006](#) [6STR-06-006](#) [6STR-08-006](#) [6STR-12-008](#) [6STR-13-006](#) [6STR-14-008](#) [6STR-16-008](#) [6STR-17-008](#) [6STR-21-008](#) [6STR-25-008](#) [6STR-27-008](#) [6STV-03-006](#) [6STV-03-008](#) [6STV-04-006](#) [6STV-09-006](#) [6STV-10-006](#) [6WWR-03-693](#) [6WWV-12-008](#) [72212603](#) [72504-C-50](#) [72506-C](#) [72507-C-50](#) [73203](#) [75505-C](#) [75505-C-50](#) [75510-C](#) [77010-50](#) [7C1N08](#) [812-GP-3/4ST-09](#) [8-1437402-5](#) [8PCR-06-006](#)