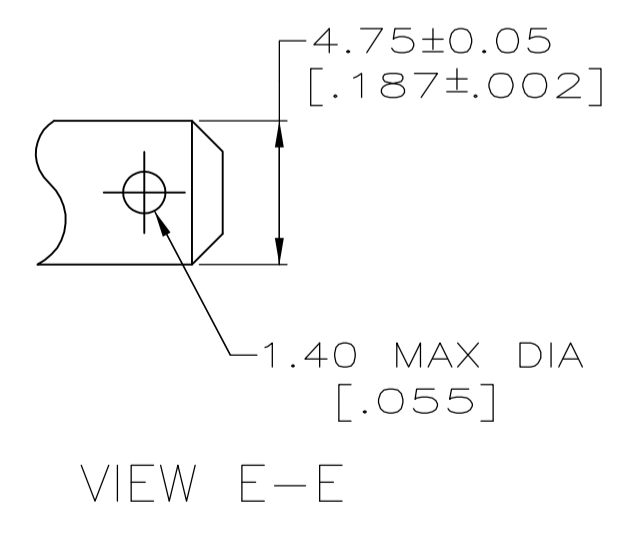
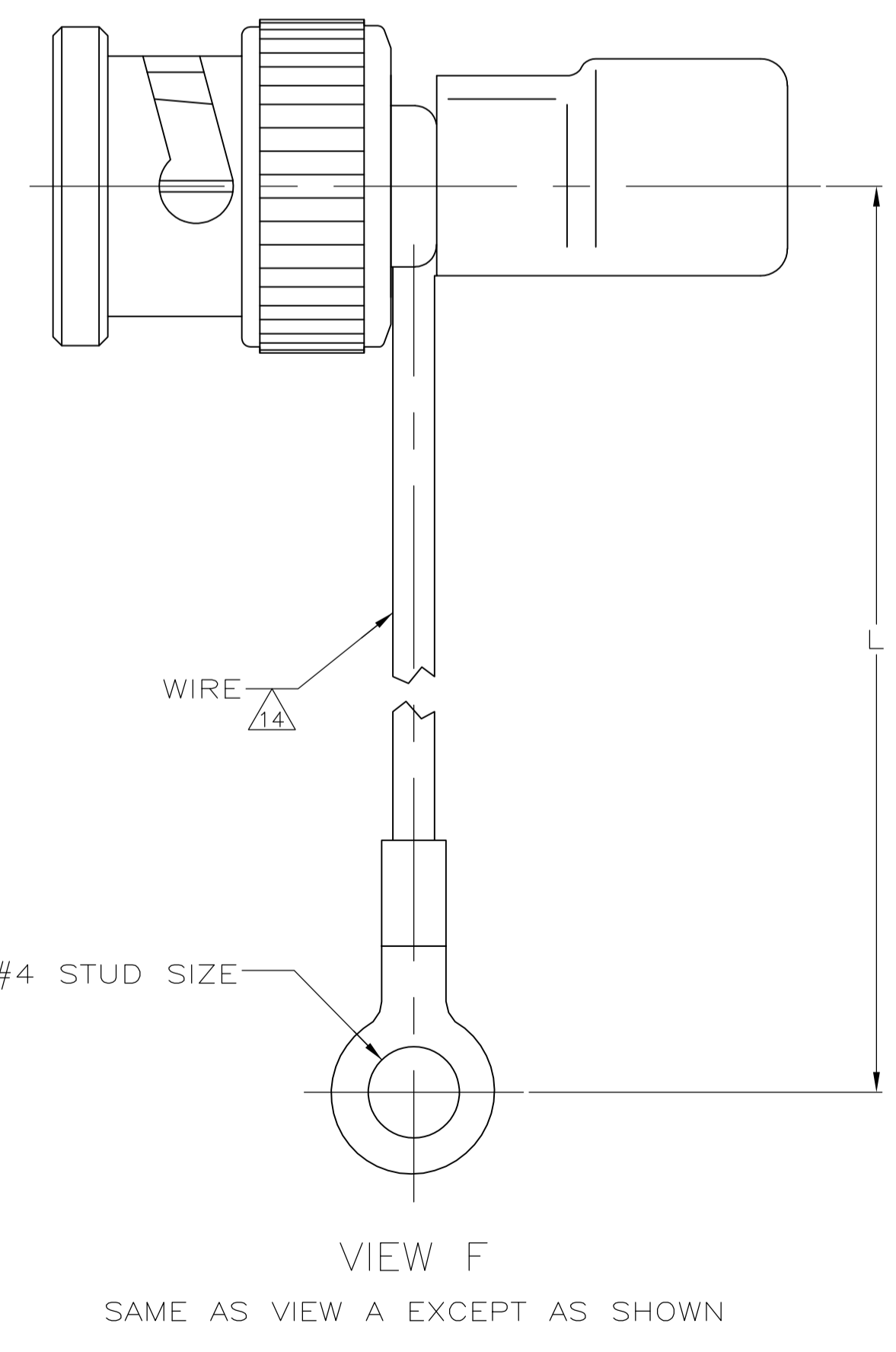
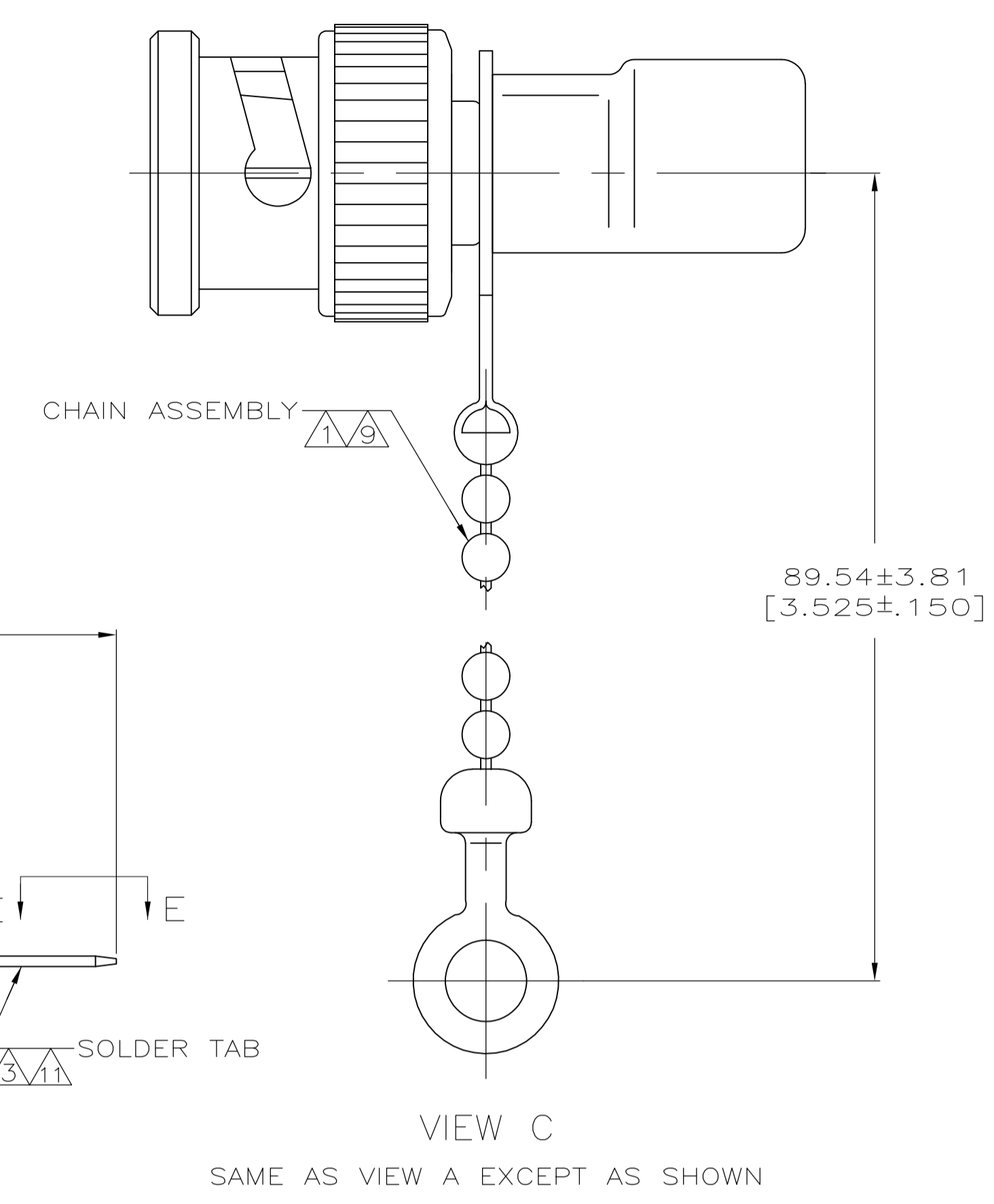
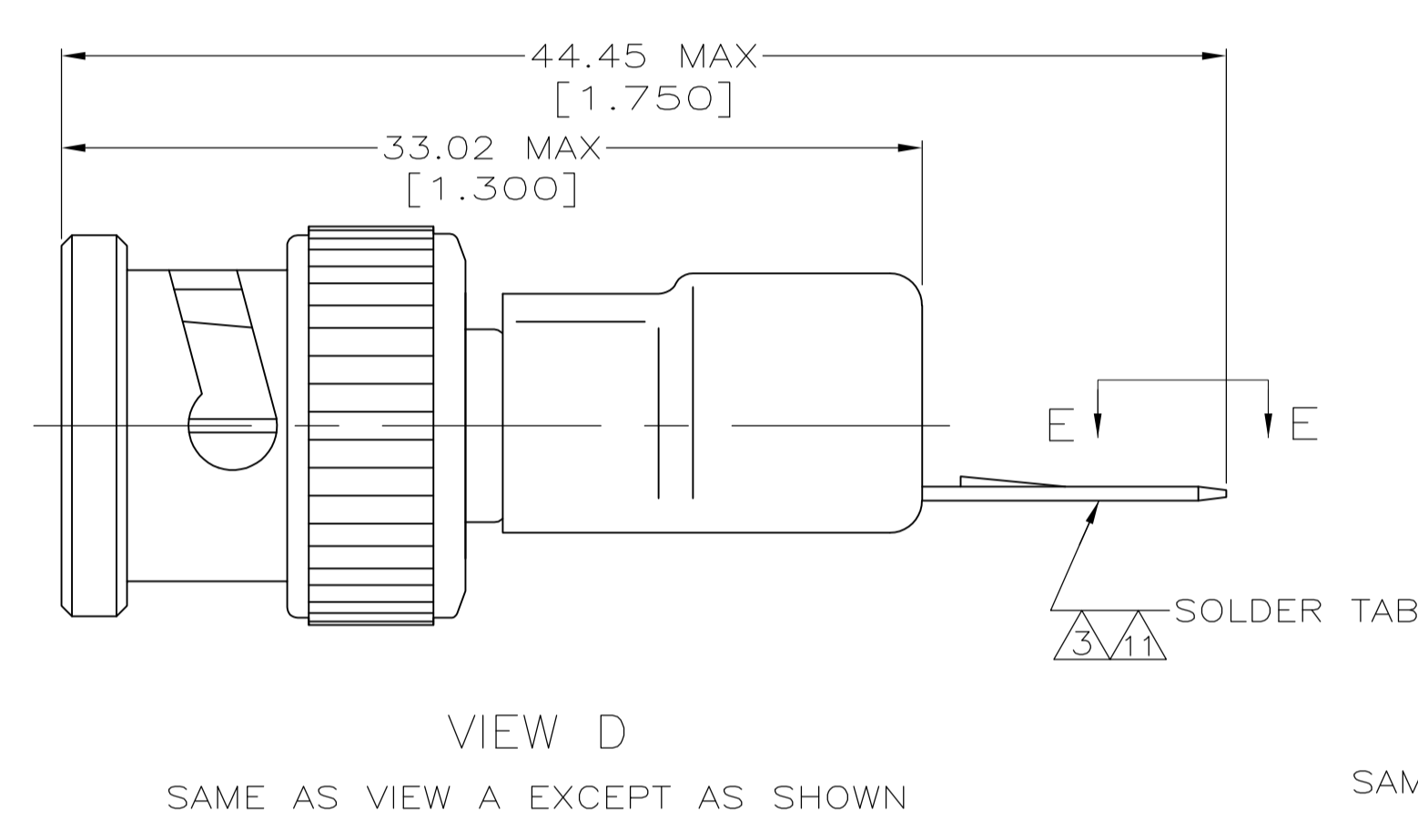
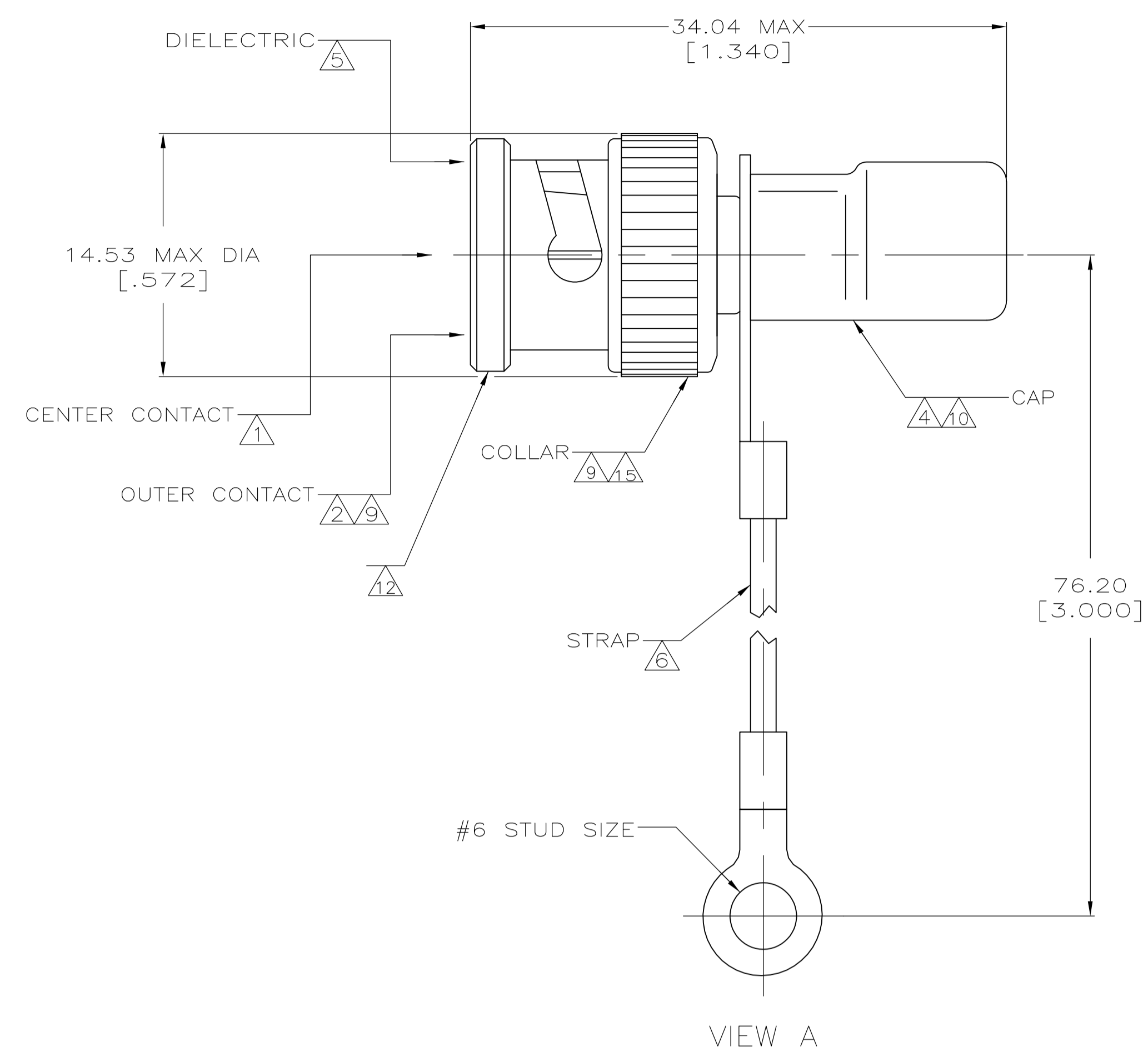


REVISONS		DATE	BY	APP'D
AE2	REVISED PER ECO-11-005030	11MAR11	RK	HMR



- 1 BRASS PER QQ-B-626.
- 2 BRASS PER MIL-C-21768.
- 3 BRASS PER MIL-C-50.
- 4 COPPER PER QQ-C-576.
- 5 POLYETHYLENE PER LP-390.
- 6 POLYESTER PER MIL-T-43435, COLOR NATURAL.
- 7 GOLD PLATE PER MIL-G-45204, 0.76 μm [.000030] MINIMUM THICK.
- 8 SILVER PLATE PER QQ-S-365, 2.54 μm [.000100] MINIMUM THICK.
- 9 NICKEL PLATE PER QQ-N-290, 1.27 μm [.000050] MINIMUM THICK.
- 10 TIN PLATE PER ASTM B 545, 2.54 μm [.000100] MIN THICK.
- 11 TIN PLATE PER ASTM B 545, 3.81 μm [.000150] MINIMUM THICK.
- 12 VALUE MARKED ON CONNECTOR BODY AS SHOWN. (SEE TABLE)
- 13 SEE SEPARATE RESTRICTED CUSTOMER DRAWING WITH THIS PART NUMBER.
- 14 16 GAUGE INSULATED GROUND WIRE.
- 15 ZINC PER QQ-Z-363

RESISTOR SPECIFICATIONS	WATT	TOLERANCE	OHM	MARKING	L	CENTER CONTACT PLATING	VIEW	PART NUMBER
OBSOLETE	1	1%	50	50Ω 1W	-	△	B	9-221629-1
OBSOLETE	1	1%	50	50Ω 1W	-	△	A	9-221629-0
OBSOLETE	-	1%	50	50Ω 1W	2999.99±25.40 [118.11±1.00]	△	F	2-221629-2
OBSOLETE	1	-	-	-	-	-	-	2-221629-1
OBSOLETE	1	-	-	-	-	-	-	2-221629-0
OBSOLETE	1	-	-	-	-	-	-	1-221629-9
OBSOLETE	1	1%	50	50Ω 1W	-	△	B	1-221629-8
OBSOLETE	1	1%	50	50Ω 1W	85.85±2.03 [3.380±.080]	△	F	1-221629-6
OBSOLETE	1	1%	50	-	-	△	D	1-221629-2
OBSOLETE	.5	1%	75	75Ω .5W	-	△	C	1-221629-1
OBSOLETE	1	1%	50	50Ω 1W	-	△	B	221629-9
OBSOLETE	1	1%	50	50Ω 1W	-	△	B	221629-8
OBSOLETE	.5	5%	100	100Ω .5W	-	△	B	221629-7
OBSOLETE	1	1%	93	93Ω 1W	-	△	B	221629-6
OBSOLETE	1	1%	75	75Ω 1W	-	△	B	221629-5
OBSOLETE	1	1%	50	50Ω 1W	-	△	B	221629-4
OBSOLETE	1	1%	93	93Ω 1W	-	△	A	221629-3
OBSOLETE	1	1%	75	75Ω 1W	-	△	A	221629-2
OBSOLETE	1	1%	50	50Ω 1W	-	△	A	221629-1

THIS DRAWING IS A CONTROLLED DOCUMENT.

DIMENSIONS: mm [INCHES]	TOLERANCES UNLESS OTHERWISE SPECIFIED:	DIN 9-22-90	J. LIPPERT
0 PLC ± -	1 PLC ± -	9-28-90	R. E. RUTH
2 PLC ± 3.18 [125]	3 PLC ± -	10-1-90	M. PHILLIPS
4 PLC ± -	ANGLES ± -		

MATERIAL: - FINISH: -

WEIGHT: -

CUSTOMER DRAWING

SCALE: 4:1 SHEET 1 OF 1 REV AE2

STE TE Connectivity

TERMINATOR, PLUG, COMMERCIAL BNC

SIZE: A1 CAGE CODE: 00779 DRAWING NO: 221629

X-ON Electronics

Largest Supplier of Electrical and Electronic Components

Click to view similar products for [TE Connectivity](#) manufacturer:

Other Similar products are found below :

[D38999/24FJ4AN](#) [570416-000](#) [CLTEQ-M81CE-SSRELAY-4-20V](#) [4-1195131-0](#) [650069-000](#) [SMD100-2](#) [358838-000](#) [CB-1022B-78](#)
[RM707012](#) [RP410012](#) [MMS42](#) [1-640426-8](#) [2EDL4CM](#) [DTS20W19-11PD-3028-LC](#) [RM202615](#) [NC6-P104-06](#) [MSPS103B](#) [DTS26F21-](#)
[41HE-LC](#) [DTS26F21-41AE](#) [DTS26F21-41PE-LC](#) [DTS26F21-11SE-3028-LC](#) [30DCB6](#) [1932144-1](#) [293545-4](#) [LVR125S](#) [MS27466T25F4PB](#)
[CKB-38-78010](#) [TR04AI-TINELLOCKRING](#) [1206SFF150F/63-2](#) [D38999/20JB35HA](#) [TE1500A2R2J](#) [D38999/20WC8BB](#) [DTS24F19-11SC-](#)
[3028-LC](#) [D38999/24WG11HA](#) [D38999/24WG11HN](#) [MS27467T21F11H](#) [DJT16E21-11HA](#) [MS27467T21F35J](#) [MS27467T21F11J](#)
[MS27467T21F16H-LC](#) [MS27467T21F35H](#) [MS27467T21F41H-LC](#) [1206SFH150F/24-2](#) [RP330024](#) [DJT16E21-11PA-LC](#) [DJT16E21-11HA-](#)
[LC](#) [DJT16E21-11AA](#) [MS27467T21B11JA](#) [DJT16E21-11JA](#) [MS27467T21B11JA-LC](#)