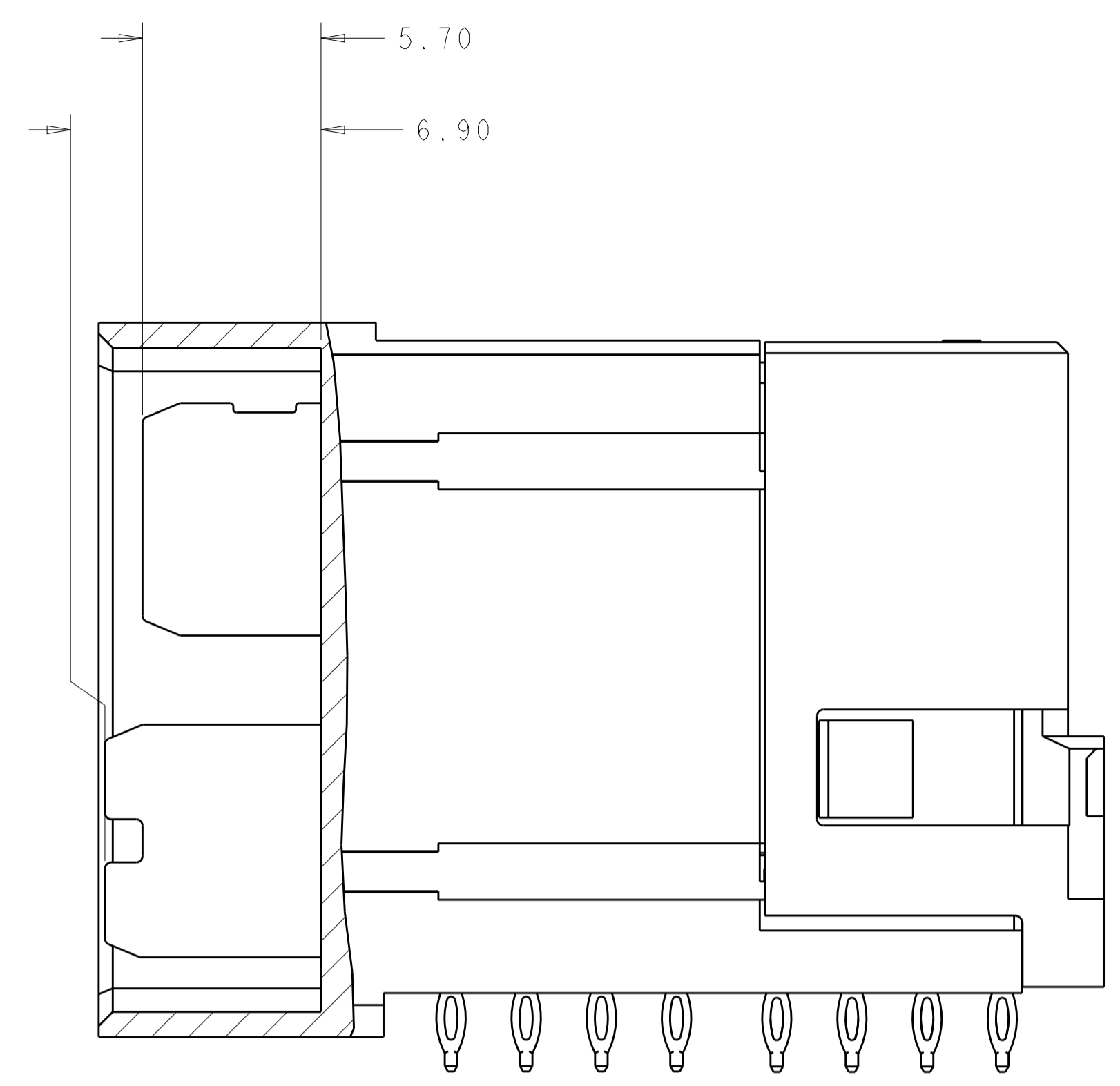
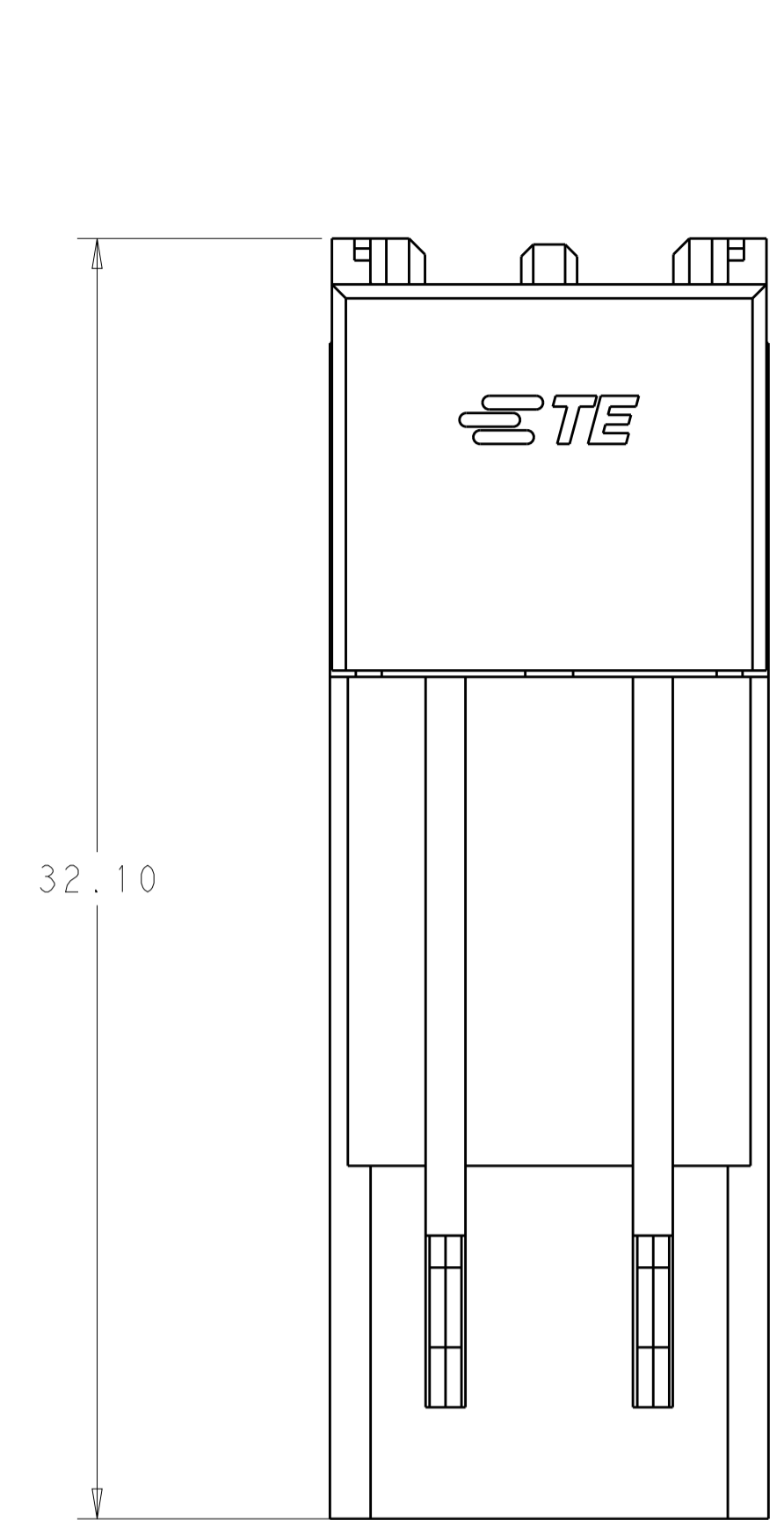
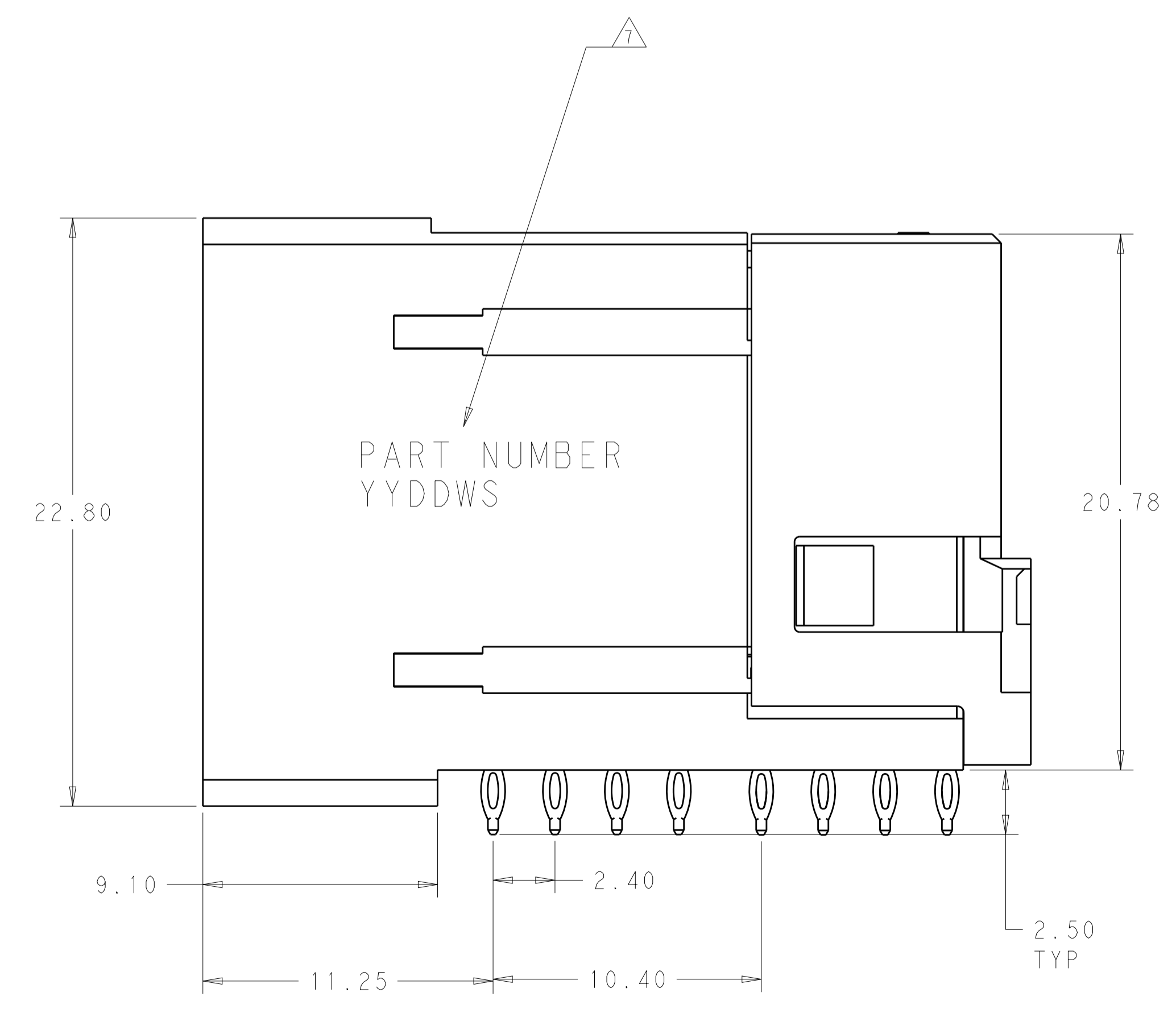
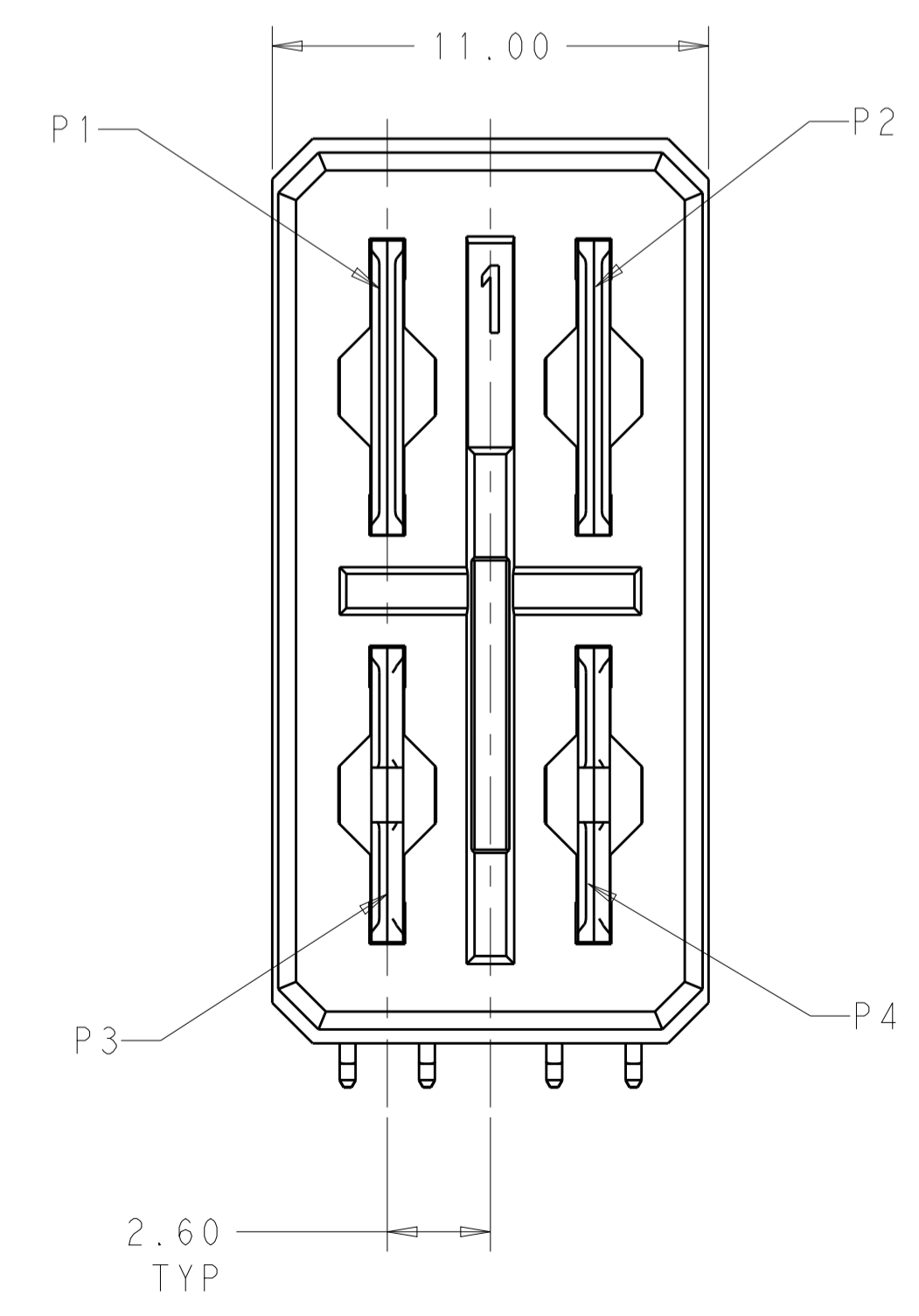


LOC	DIST	REVISIONS			
P	LTN	DESCRIPTION	DATE	DMN	APVD
A		INITIAL RELEASE	12JUN2012	LW	AC
B		PER ECR-15-015254	04NOV2015	DS	FY



DETAIL FOR CONTACT BLADE

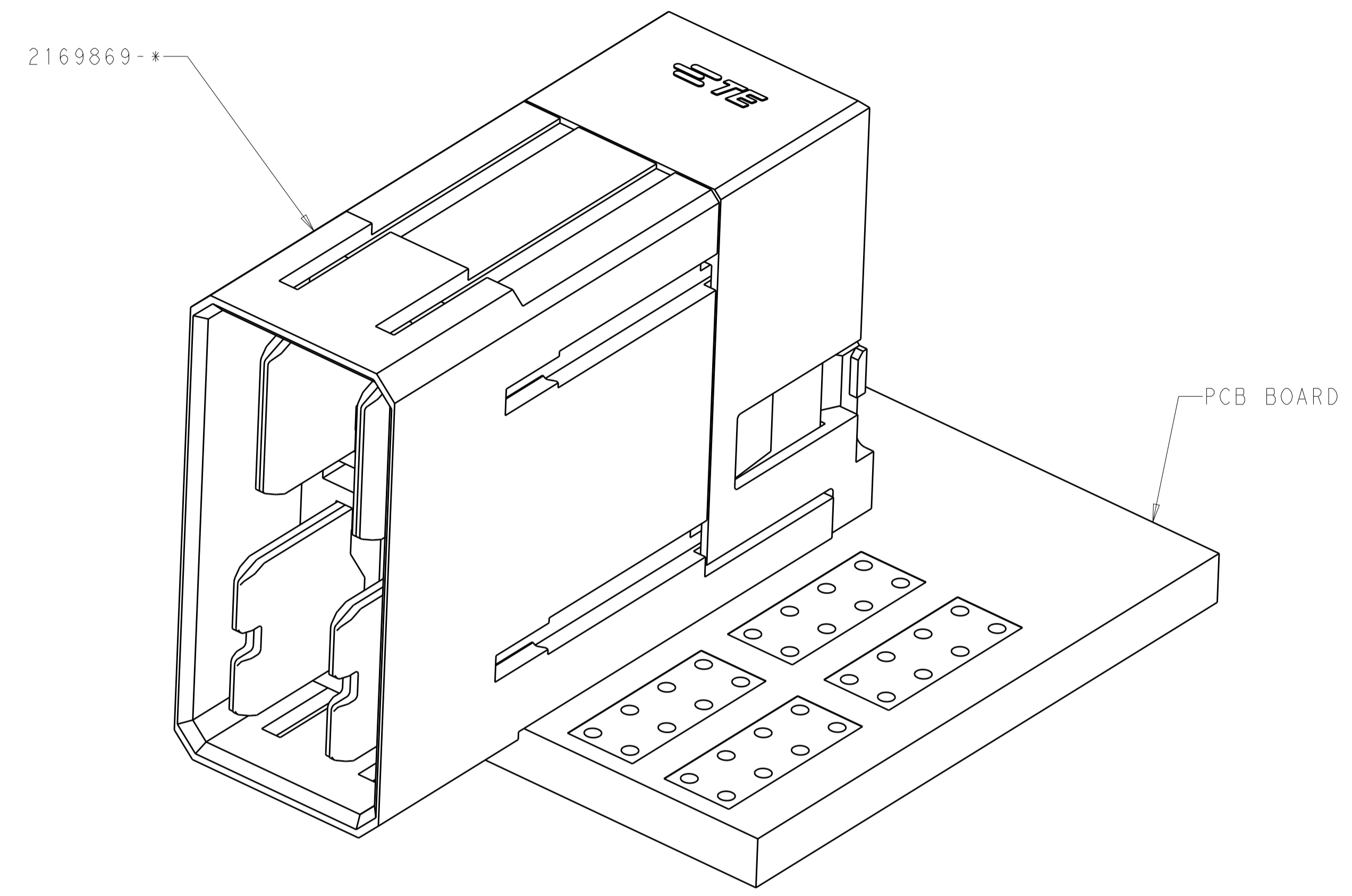
- NOTES:
- MATERIALS:
 HOUSING: HIGH TEMP. THERMOPLASTIC GLASS/MINERAL FILLED UL94V-0
 TERMINAL: COPPER ALLOY
 FINISH:
 △ TIN OPTION-0.76um MIN GOLD AT CONTACT AREA AND
 1.27um MIN NICKEL UNDERPLATED OVER ALL
 2.54um TIN AT SOLDER TAIL AREA
 TIN-LEAD OPTION-0.76um MIN GOLD AT CONTACT AREA AND
 1.27um MIN NICKEL UNDERPLATED OVER ALL
 2.54um TIN-LEAD AT SOLDER TAIL AREA
 - PCB NOTE FOR DIAMETER 0.725MM PLATED HOLE.
 -DRILLED HOLE SIZE IS 0.838MM
 -PLATED WITH 0.007MM MIN. TIN OVER
 0.03 TO 0.08MM COPPER UNDERPLATE TO ACHIEVE
 0.725±0.075MM HOLE.
 - CONNECTOR WERE PACKED BY TRAY
 - REFER TO TE'S PRODUCT SPECIFICATION: 108-2473
 FOR TORQUE FORCE AND RETENTION FORCE
 - MATED WITH 2169859-*
 - PART NUMBER AND DATE CODE AT ASSEMBLY AREA AS APPROXIMATE SHOWN.
 - COMPONENT PLACEMENT ZONE



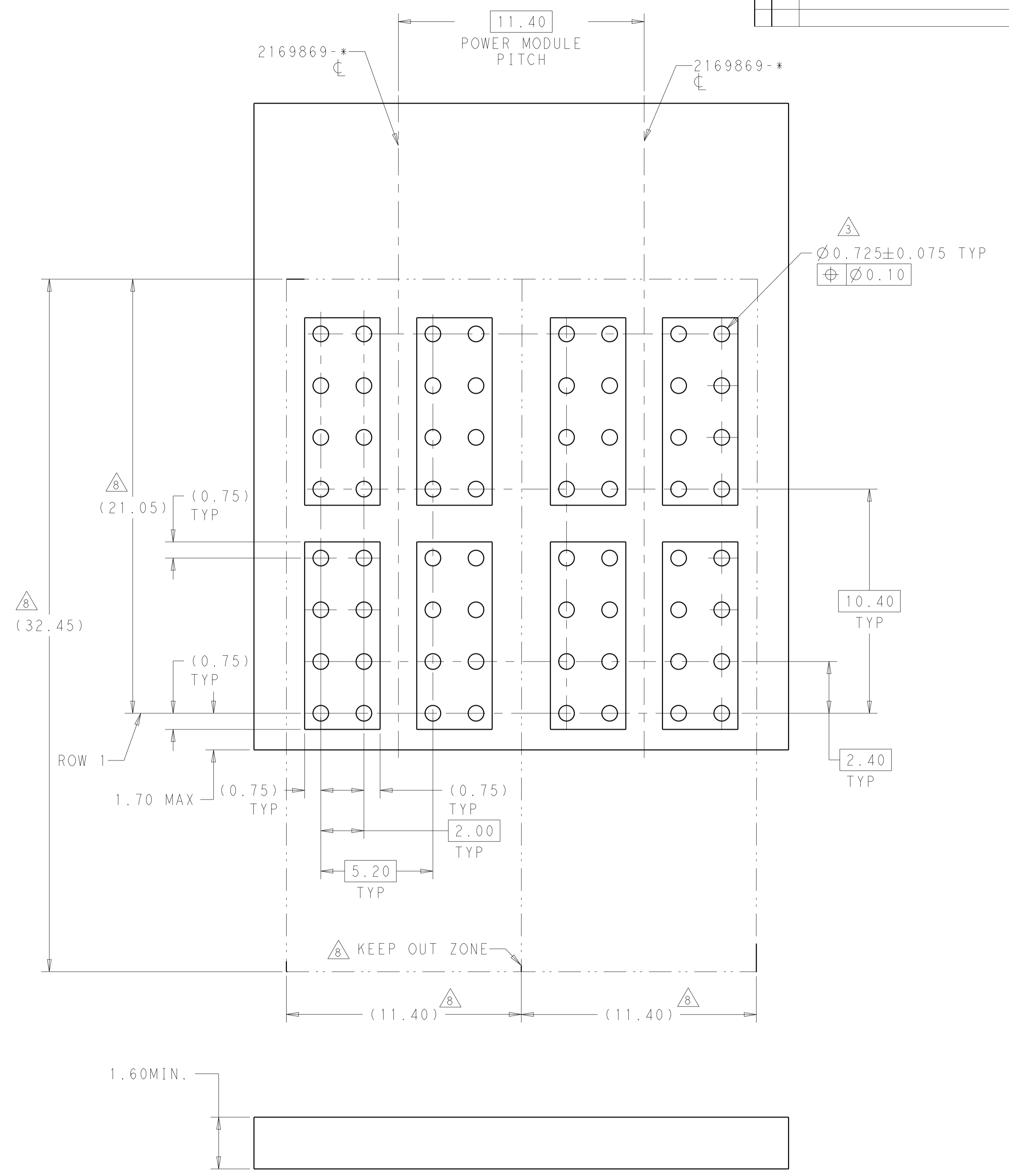
TRAY	TIN PLATING	5.70	5.70	5.70	6.90	2-2169869-2
		6.90	6.90	6.90	6.90	2169869-1
OBSOLETE	TIN-LEAD PLATING	5.70	5.70	5.70	5.70	2169869-2
		6.90	6.90	5.70	5.70	2169869-3
		5.70	5.70	6.90	6.90	2169869-4
		6.90	6.90	6.90	6.90	5-2169869-1
PACKAGING	PLATING OPTION	P1	P2	P3	P4	PART NUMBER
		PIN LENGTH				
		OBSOLETE				

DIMENSIONS: mm 0 PLC ±.1 1 PLC ±.15 2 PLC ±.25 3 PLC ±.3 4 PLC ±.4 ANGLES ±.5° FINISH △		TOLERANCES UNLESS OTHERWISE SPECIFIED: ±.1 ±.15 ±.25 ±.3 ±.4 ±.5°		DWN LERRY_WANG 05MAY2011 CHK SUNY_ZHAO 05MAY2011 APVD SUNY_ZHAO 05MAY2011 NAME SUNY_ZHAO 05MAY2011		PRODUCT SPEC 108-2473 APPLICATION SPEC 114-32028 WEIGHT CUSTOMER DRAWING		NAME ASSEMBLY IMPACT POWER 5PAIR R/A HEADER PRESS-FIT SIZE CAGE CODE DRAWING NO. 00779 ©=2169869 RESTRICTED TO	
SCALE 6:1		SHEET 1 OF 2		REV B		STE			

LOC	DIST	REVISIONS			
P	LTN	DESCRIPTION	DATE	DMN	APVD
-	-	SEE SHEET 1	-	-	-



CONNECTOR MATED WITH PCB



PCB LAYOUT FOR 5PAIR R/A HEADER POWER MODULE
 (COMPONENT SIDE SHOWN)

<small>THIS DRAWING IS UNPUBLISHED. RELEASED FOR PUBLICATION. IT IS THE PROPERTY OF TYCO ELECTRONICS CORPORATION. IT IS TO BE USED ONLY FOR THE PURPOSES AND IN THE QUANTITIES SPECIFIED IN THE ORDER. IT IS TO BE RETURNED TO TYCO ELECTRONICS CORPORATION UPON COMPLETION OF THE PROJECT.</small>		DWN: LERRY_WANG 05MAY2011 CHK: SUNY_ZHAO 05MAY2011 APVD: SUNY_ZHAO 05MAY2011	
DIMENSIONS: mm TOLERANCES UNLESS OTHERWISE SPECIFIED: 0 PLC ±.2 1 PLC ±.25 2 PLC ±.3 3 PLC ±.4 4 PLC ±.5 ANGLES ±.1° MATERIAL: - FINISH: -		NAME: ASSEMBLY PRODUCT SPEC: IMPACT POWER 5PAIR R/A HEADER APPLICATION SPEC: PRESS-FIT SIZE: A1 CAGE CODE: 00779 DRAWING NO: 2169869 CUSTOMER DRAWING	
SCALE: 6:1 SHEET: 2 OF 2 REV: B			

X-ON Electronics

Largest Supplier of Electrical and Electronic Components

Click to view similar products for [High Speed/Modular Connectors](#) category:

Click to view products by [TE Connectivity](#) manufacturer:

Other Similar products are found below :

[2332816-1](#) [89006-1137LF](#) [650827-1](#) [65762-001LF](#) [73474-201LF](#) [74040-1346](#) [74075-0267](#) [88911-201LF](#) [9514M0C20D](#) [1410191-1](#)
[1410337-1](#) [1410368-3](#) [1410964-2](#) [1410326-3](#) [1410367-3](#) [1410971-4](#) [1467833-1](#) [2000877-1](#) [2000878-1](#) [2041314-1](#) [2065387-1](#) [2187307-1](#)
[2187462-1](#) [2226278-6](#) [KA81-07](#) [91290-101LF](#) [1934290-1](#) [2000875-1](#) [2065917-1](#) [2102736-2](#) [FSR-40](#) [2169868-2](#) [2226279-2](#) [22354-8](#) [437-](#)
[5040-000](#) [5-1393565-0](#) [532449-3](#) [532803-2](#) [34745-0001](#) [0740618502](#) [0760151403](#) [0760551105](#) [0760551608](#) [0761451128](#) [0761651124](#)
[0761655108](#) [0761659807](#) [0769853208](#) [0736440217](#) [0758324203](#)