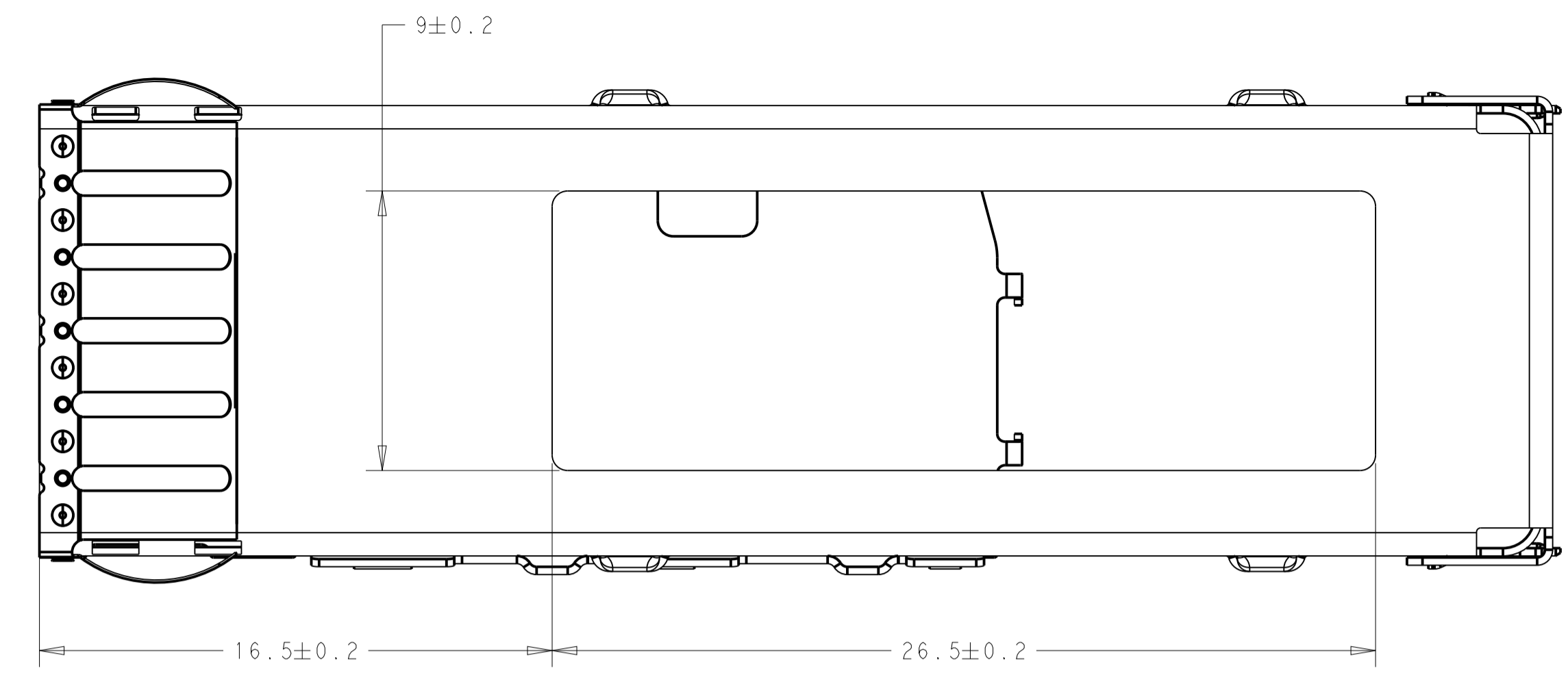
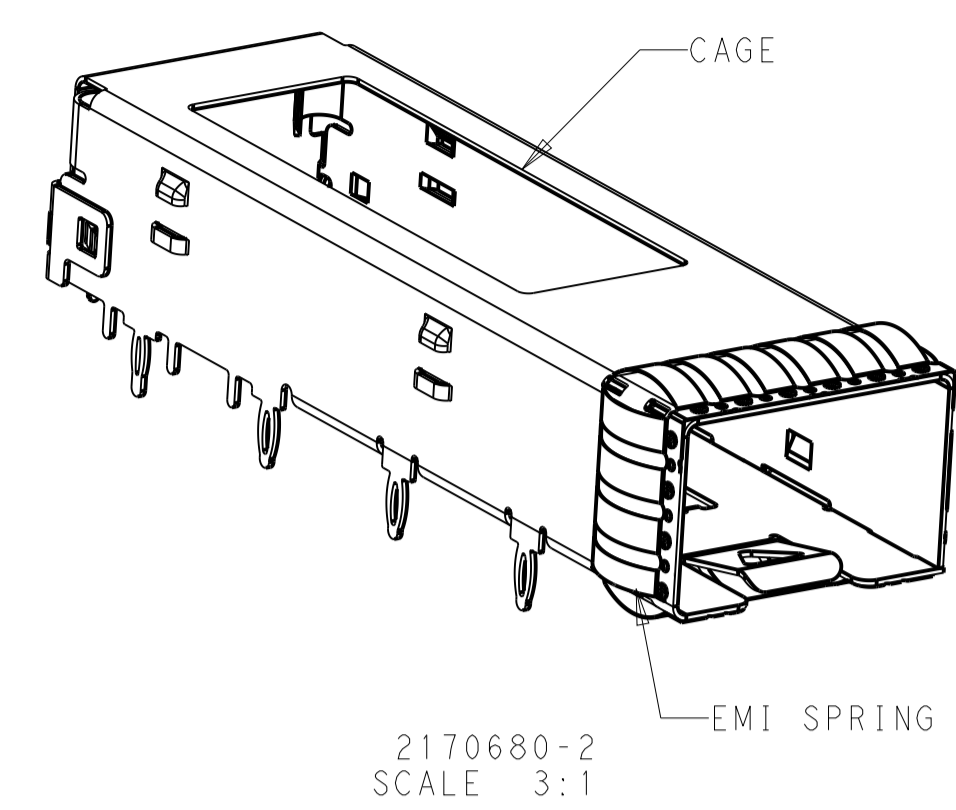
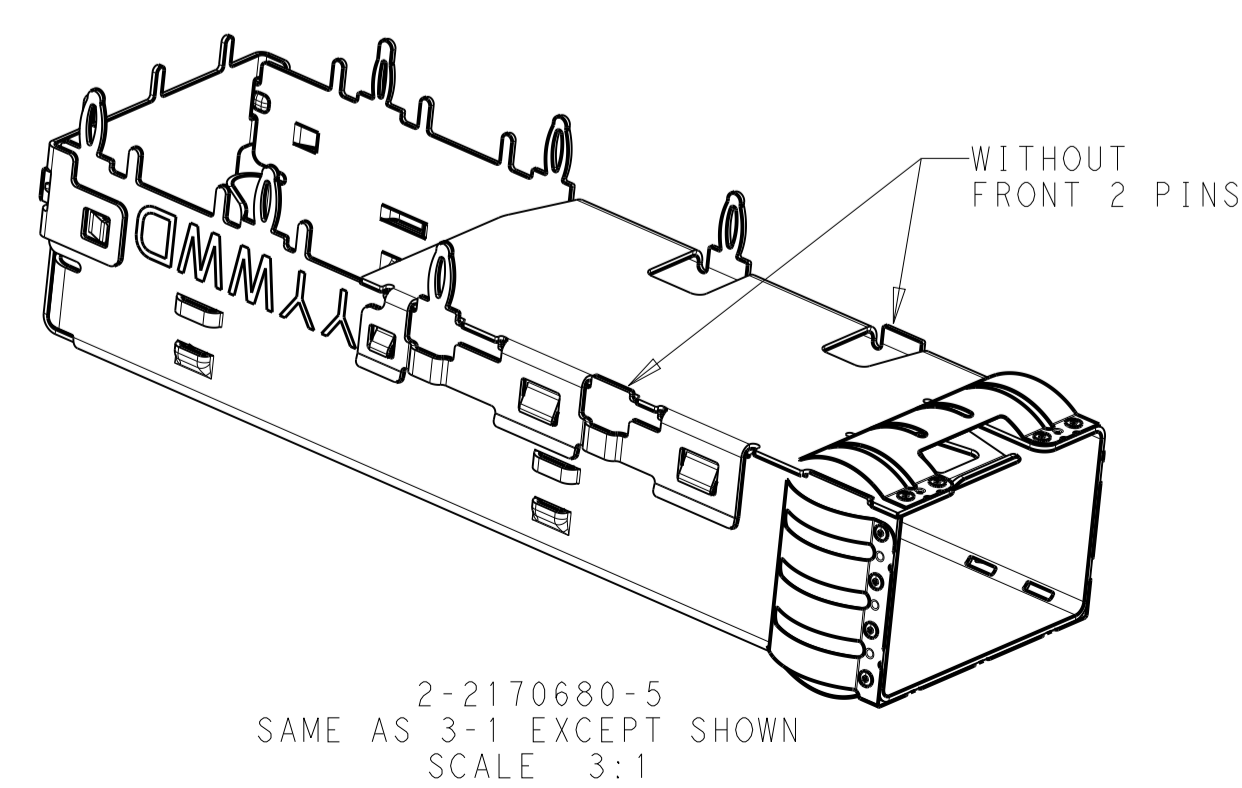
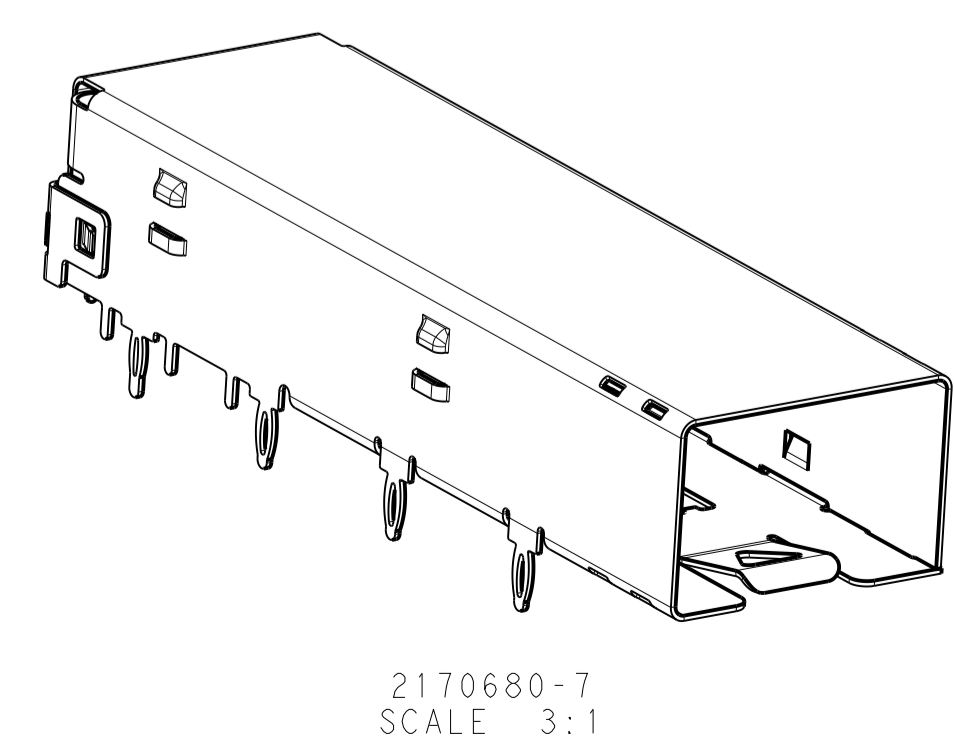
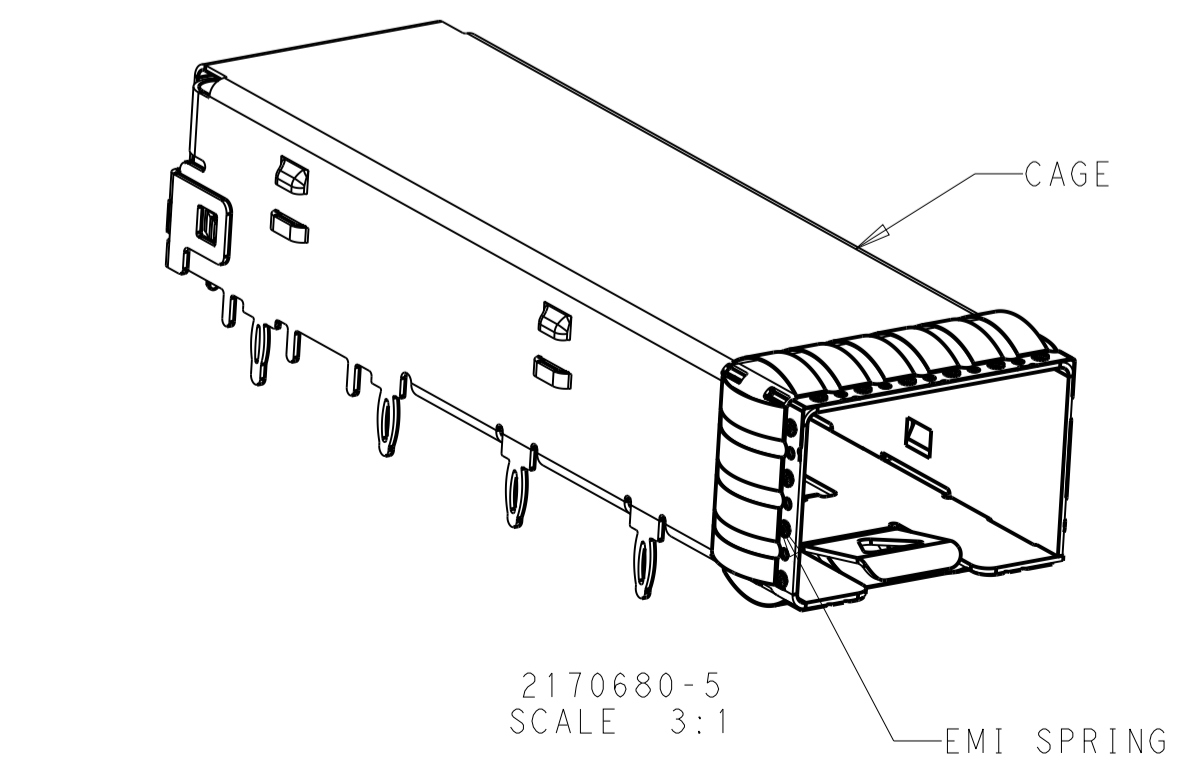
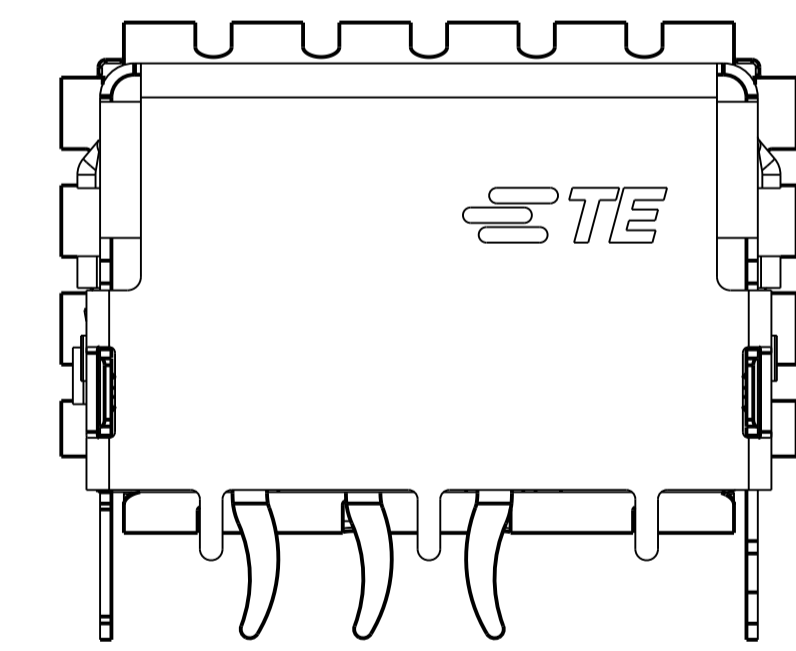
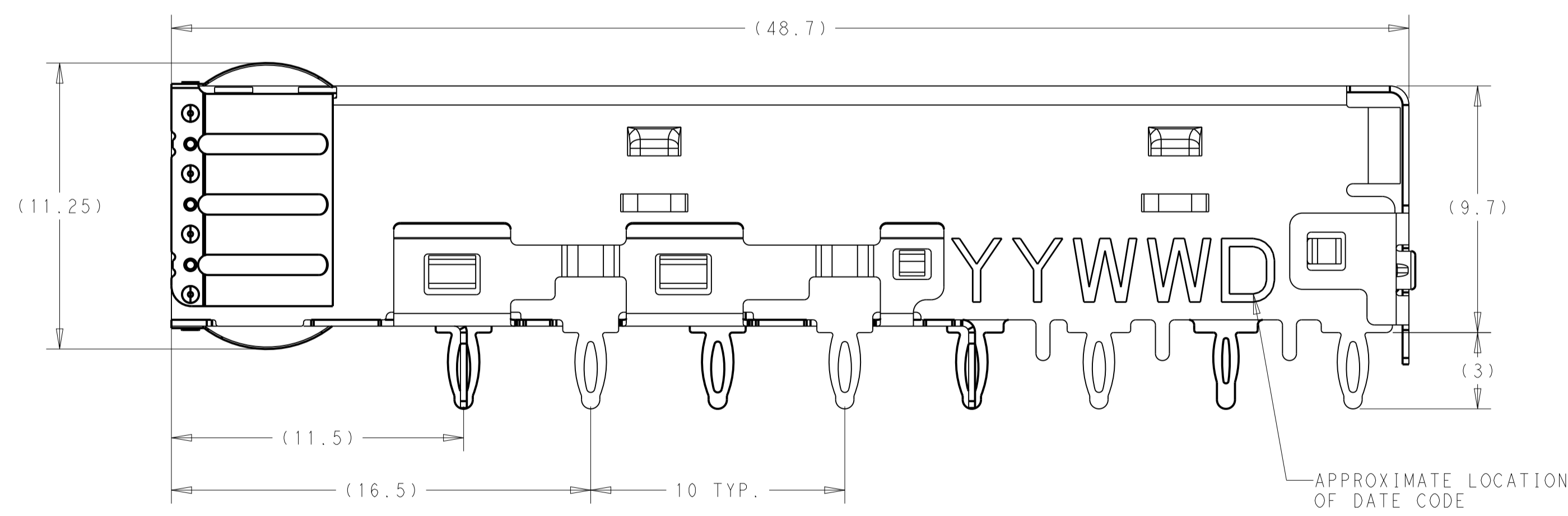
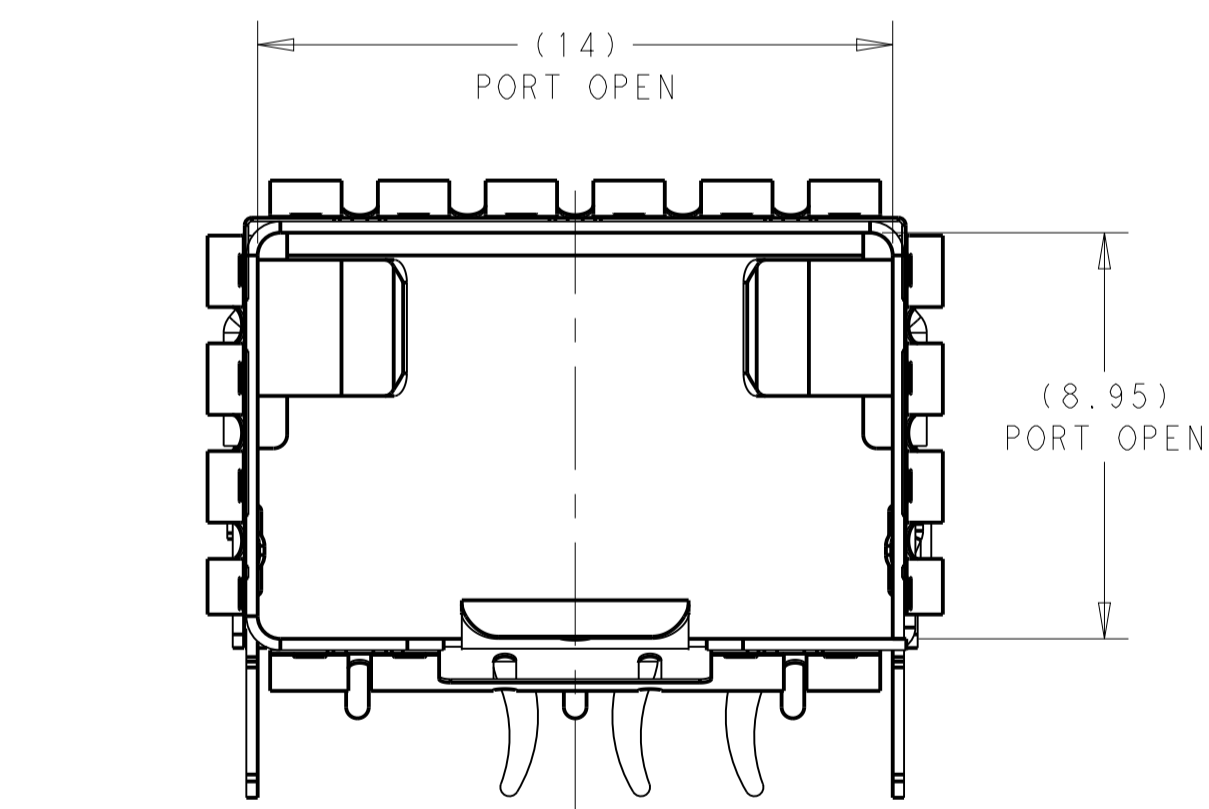
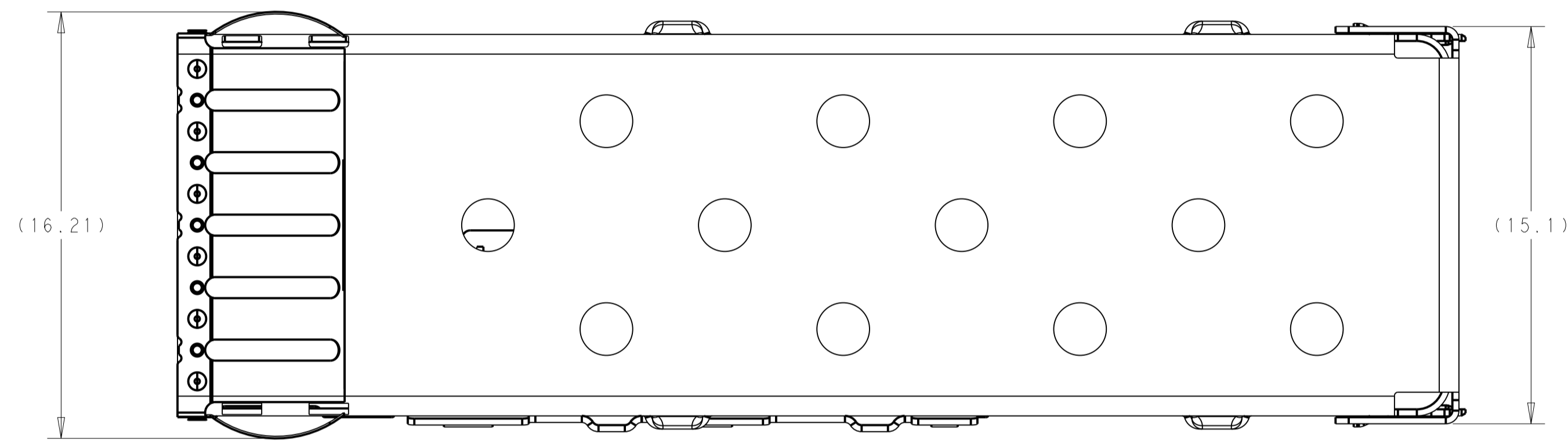
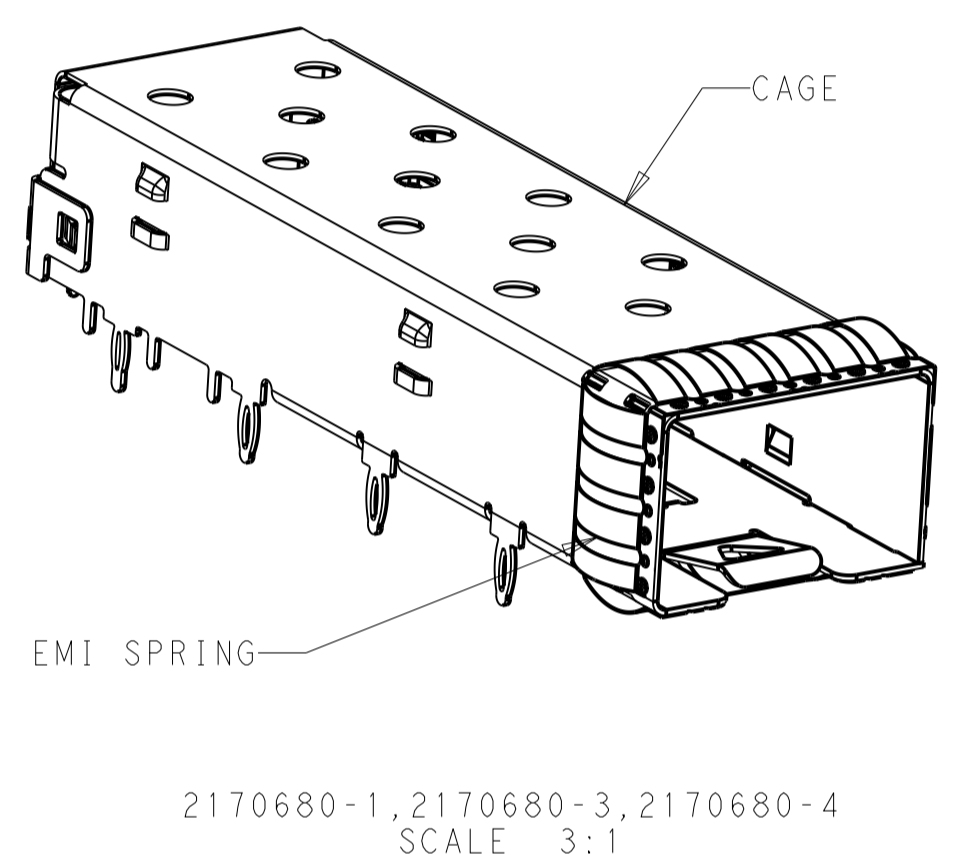


LOC	DIST	REVISIONS			
GP	00	REV	DATE	BY	CHK
		B	19JAN2021	JY	SZ



2170680-2
SAME AS 2170680-1 EXCEPT AS SHOWN
TOP VIEW



- 1 MATERIAL:
CAGE ASSEMBLY - 0.25mm THICK NICKEL SILVER ALLOY.
EMI SPRINGS - COPPER ALLOY.
- 2 FINISH
EMI SPRINGS - 0.8um MIN NICKEL, NON-PLATED EDGES PERMISSIBLE.
- 3. MATES WITH SFP MSA COMPLIANT TRANSCEIVERS.
- 4 PADS AND VIAS CHASSIS GROUND.
- 5 DATUM AND BASIC DIMENSION ESTABLISHED BY CUSTOMER.
- 6. MINIMUM PC BOARD THICKNESS:
SINGLE SIDED = 1.50 mm
DOUBLE SIDED = 3.00 mm
- 7 REFERENCE APPLICATION SPEC. 114-13120, HOLE A, FOR
RECOMMENDED DRILL HOLE DIAMETER AND PLATING THICKNESS.
- 8 REFERENCE APPLICATION SPEC. 114-13120, HOLE C, FOR
RECOMMENDED DRILL HOLE DIAMETER AND PLATING THICKNESS.
- 9 PRELIMINARY PART
- 10 PACKAGE TYPE IS TAPE AND REEL. THE PITCH IS 28MM, REEL DIAMETER IS 380MM
TAPE WIDTHE IS 72MM, PER REEL QTY IS 180PCS, 360PCS/BOX.
- 11 PACKAGE TYPE IS TAPE AND REEL. THE PITCH IS 24MM, REEL DIAMETER IS 380MM
TAPE WIDTHE IS 72MM, PER REEL QTY IS 180PCS, 360PCS/BOX.
THE COLOR OF POCKET TAPE IS BLACK.

W/O INSULATING TAPE	DESCRIPTION	PART NUMBER
W/O INSULATING TAPE	WITHOUT LOCATE PINS	3-2170680-1
W/O INSULATING TAPE	WITHOUT FRONT 2 PINS WITHOUT LOCATE PINS	2-2170680-5
W/O INSULATING TAPE	WITHOUT KICK-OUT SPRING, EMI HOLES	2-2170680-1
W/O INSULATING TAPE	NO HOLES/NO SPRING	2170680-7
W/O INSULATING TAPE	NO HOLES	2170680-5
W/O INSULATING TAPE	EMI HOLES	2170680-4
W/ INSULATING TAPE	EMI HOLES	2170680-3
W/O INSULATING TAPE	HEATSINK OPENING	2170680-2
W/O INSULATING TAPE	EMI HOLES	2170680-1

THIS DRAWING IS A CONTROLLED DOCUMENT. OWN: CHARLES WAN 24DEC2014
 CHK: SEAN HAN 24DEC2014
 APVD: SEAN HAN 24DEC2014

DIMENSIONS: IN

0 PLC	±0.1
1 PLC	±.1
2 PLC	±.1
3 PLC	±.1
4 PLC	±.05
5 PLC	±.05

TOLERANCES UNLESS OTHERWISE SPECIFIED:

FINISH

MATERIAL

APPROXIMATE LOCATION OF DATE CODE

WITHOUT FRONT 2 PINS

STE TE Connectivity

NAME: SFP+ 1X1 CAGE ASSEMBLY, PRESS-FIT
PRESS-FIT, EMI SPRINGS

PRODUCT SPEC: 108-2364

APPLICATION SPEC: 114-13120

SIZE: A1

CAGE CODE: 100779

DRAWING NO: 2170680

RESTRICTED TO

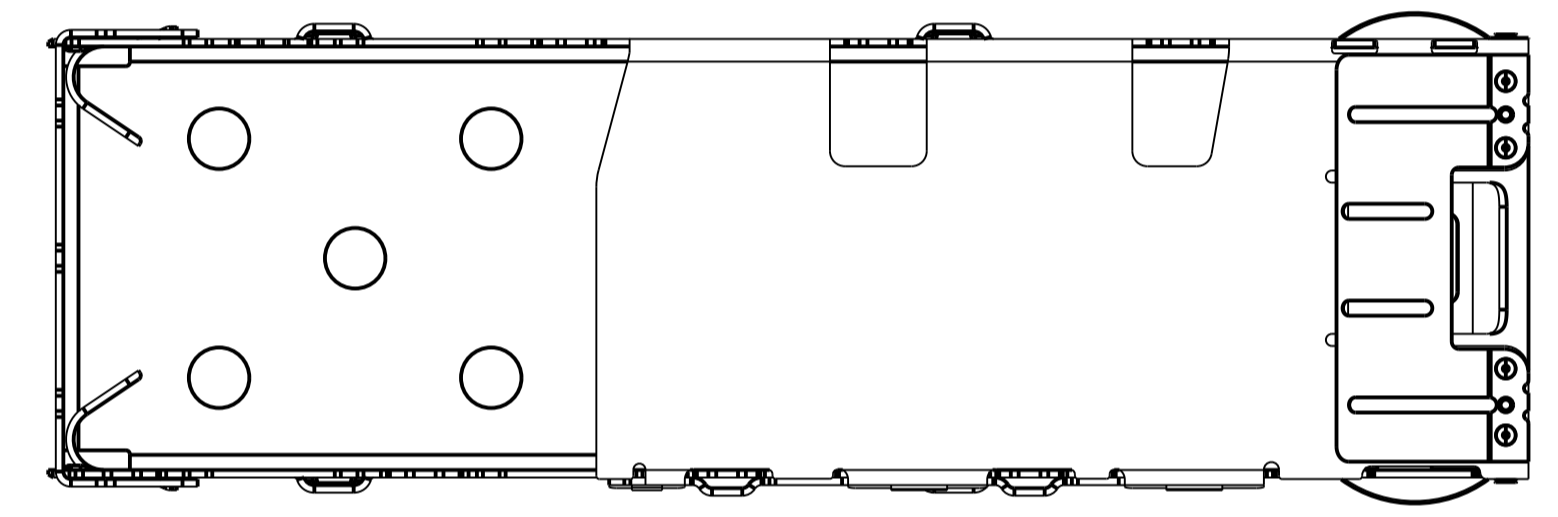
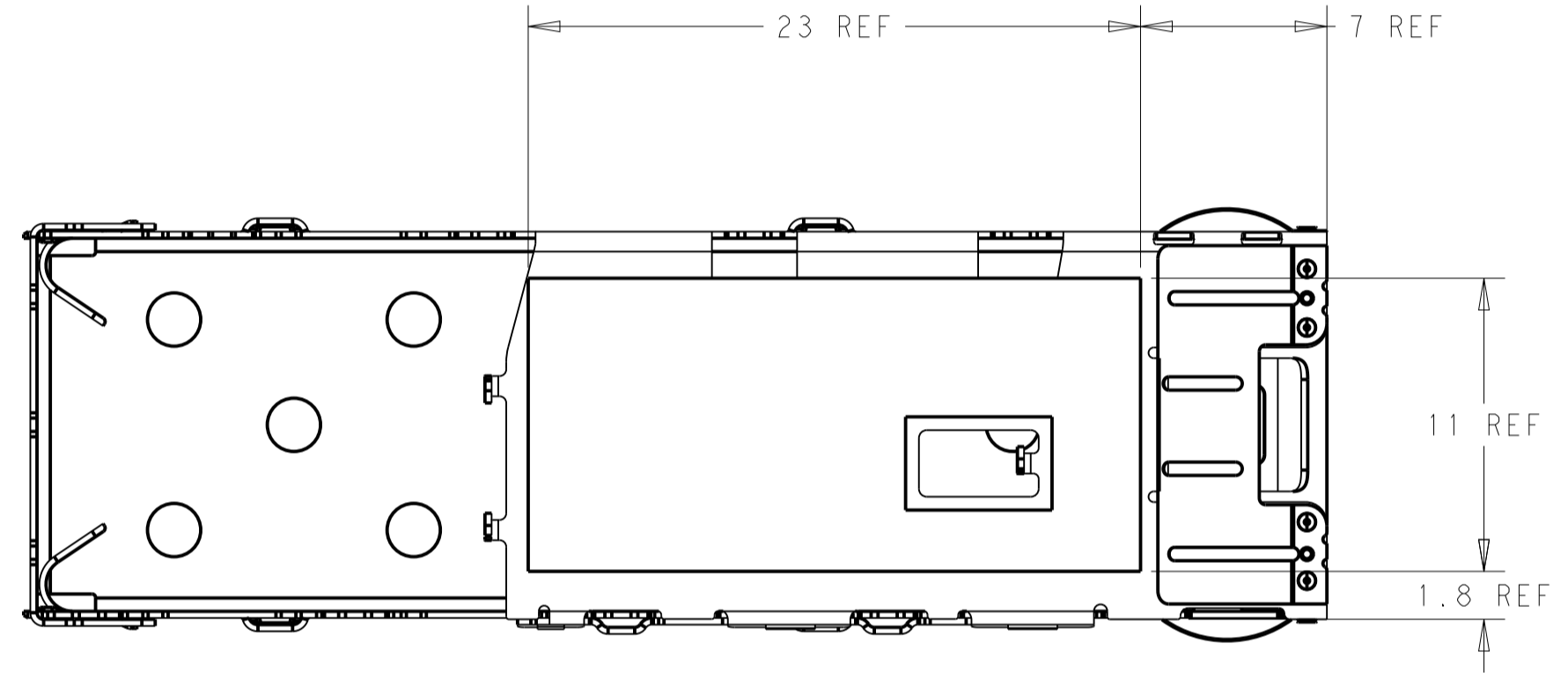
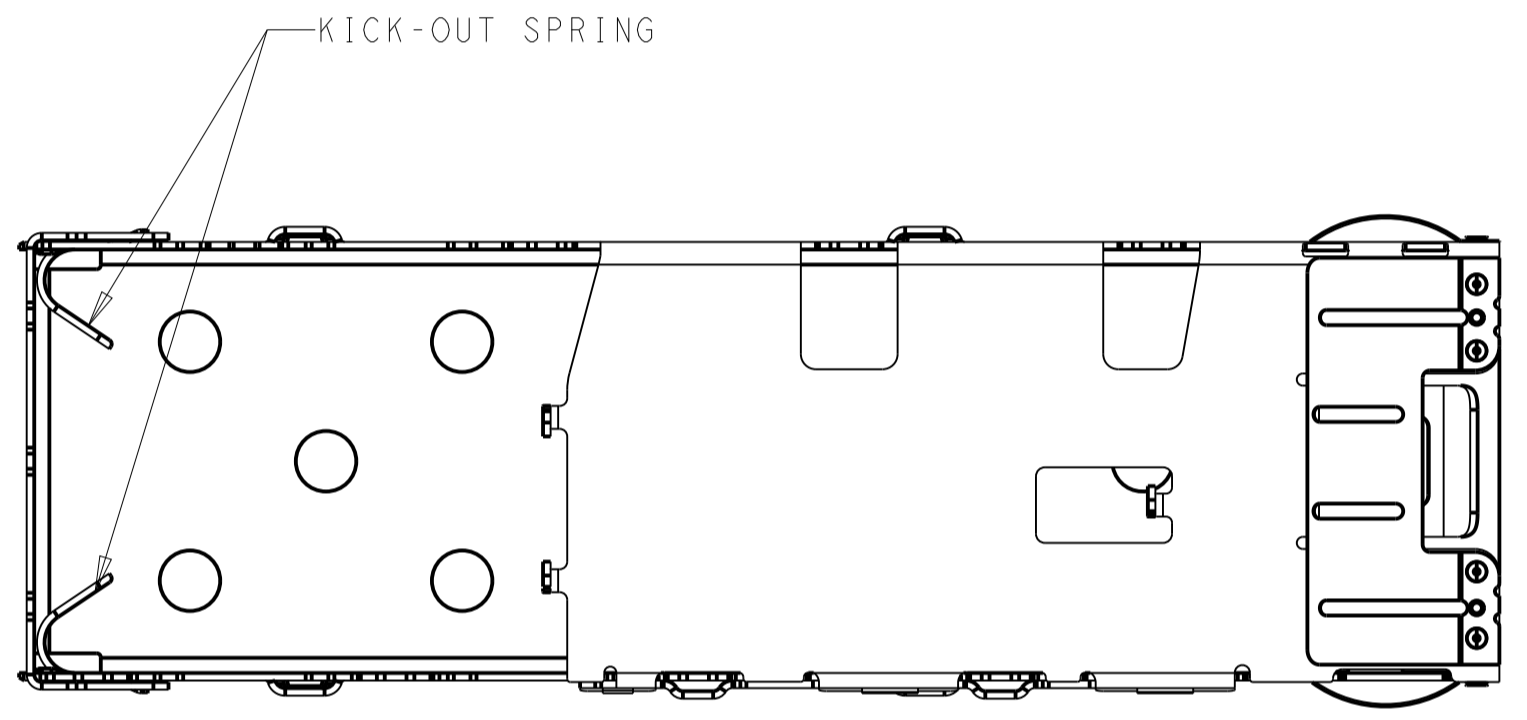
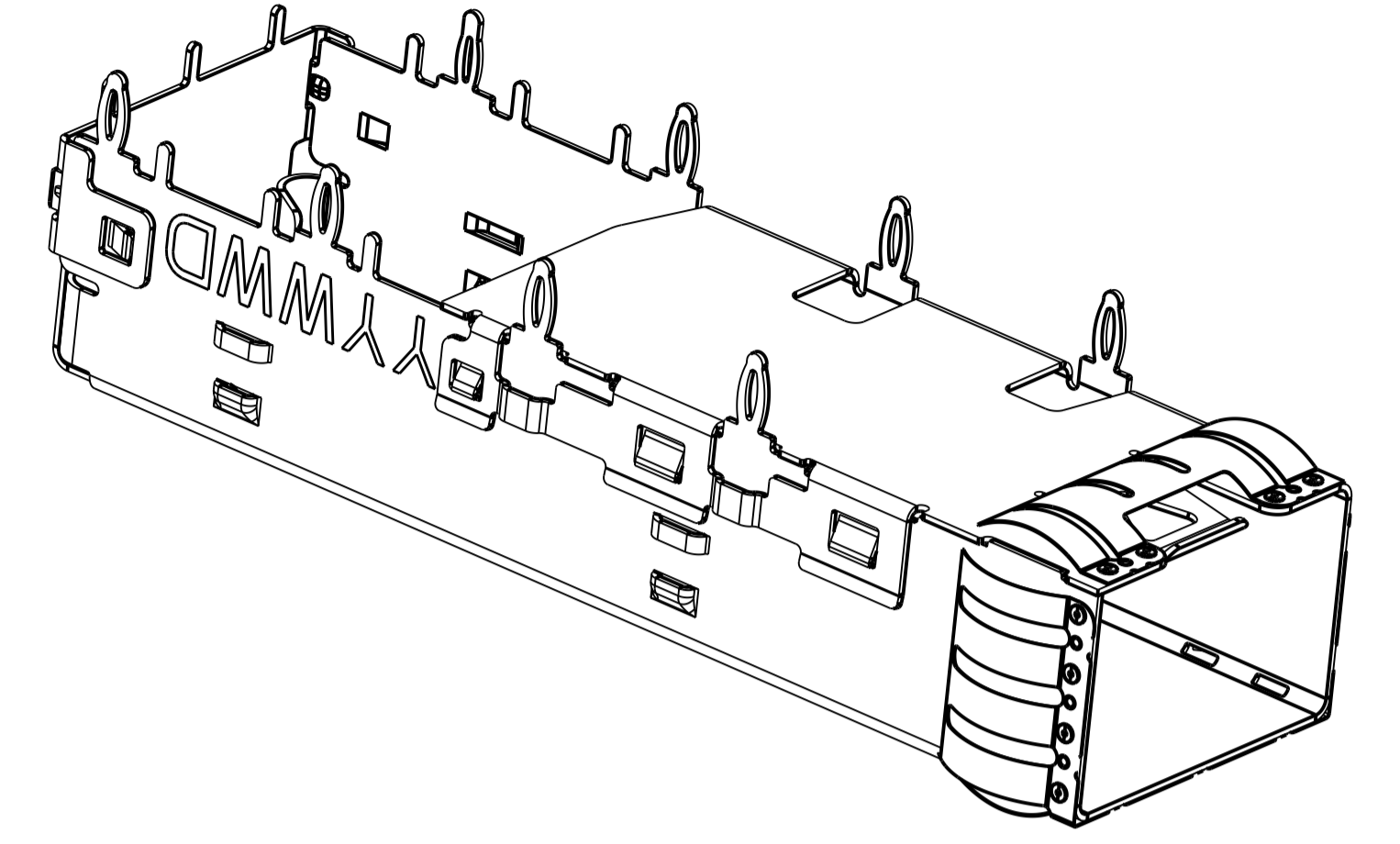
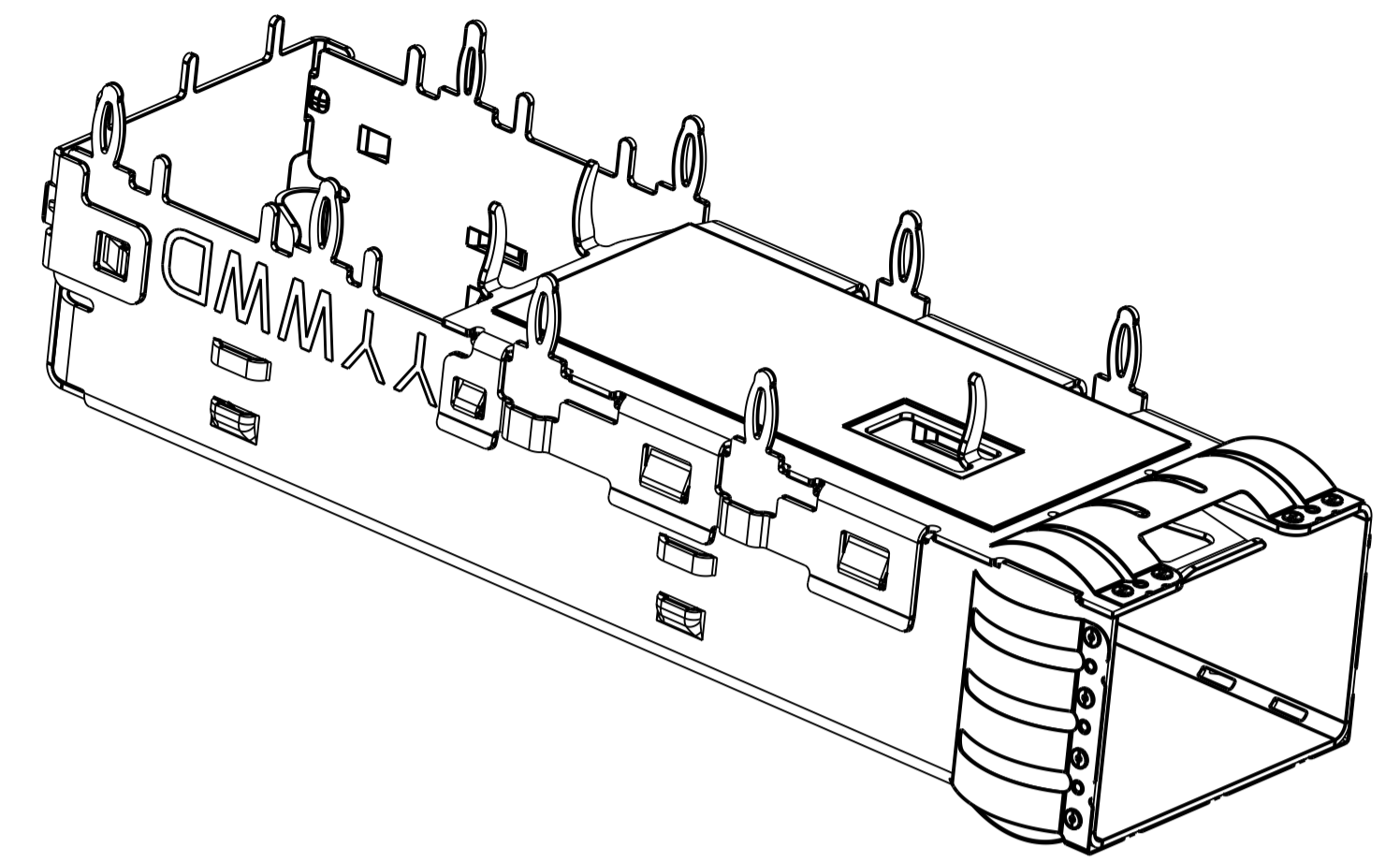
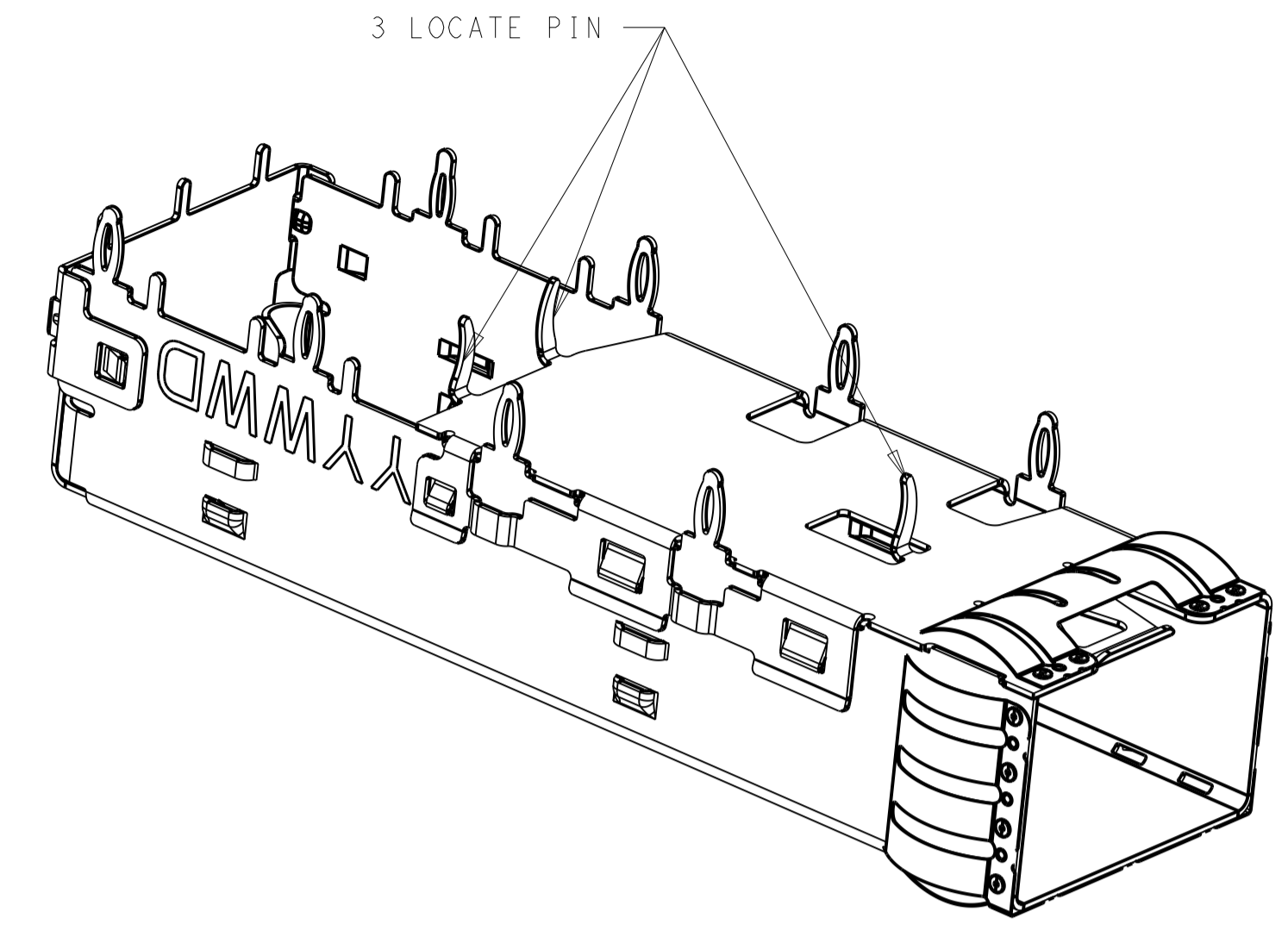
CUSTOMER DRAWING

SCALE: 6:1

SHEET: 1 OF 5

REV: B

LOC		DIST		REVISIONS			
P.	LTN	DESCRIPTION	DATE	DMN	APVD		
-	-	SEE SHEET 1	-	-	-		

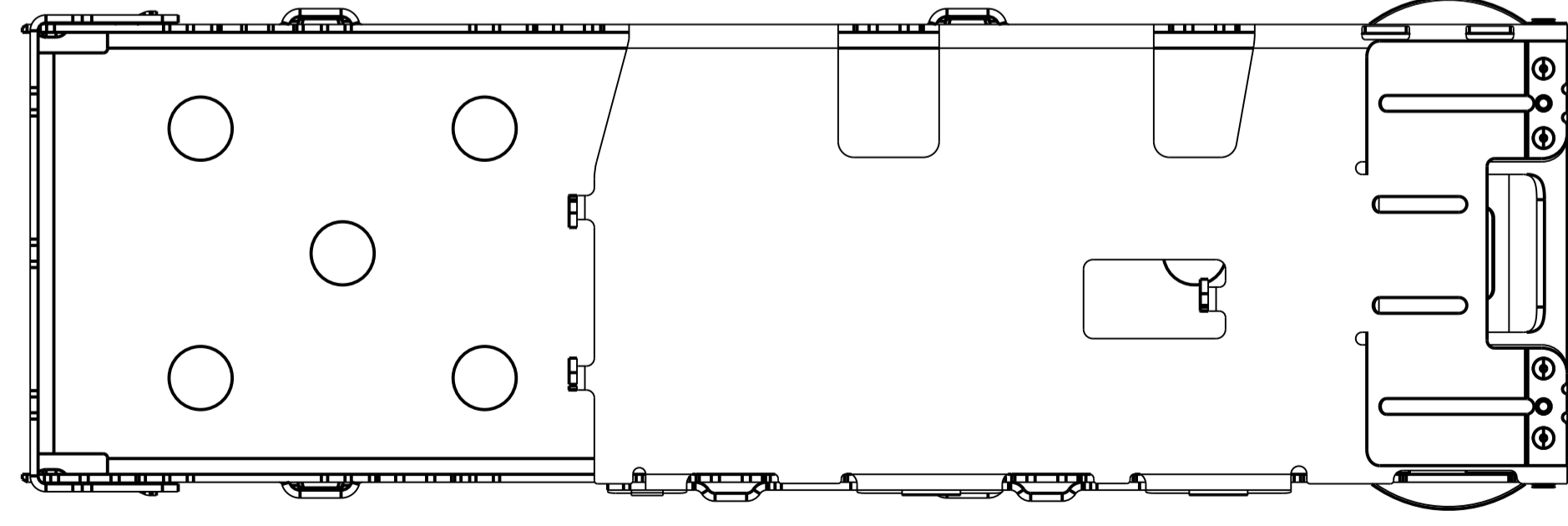
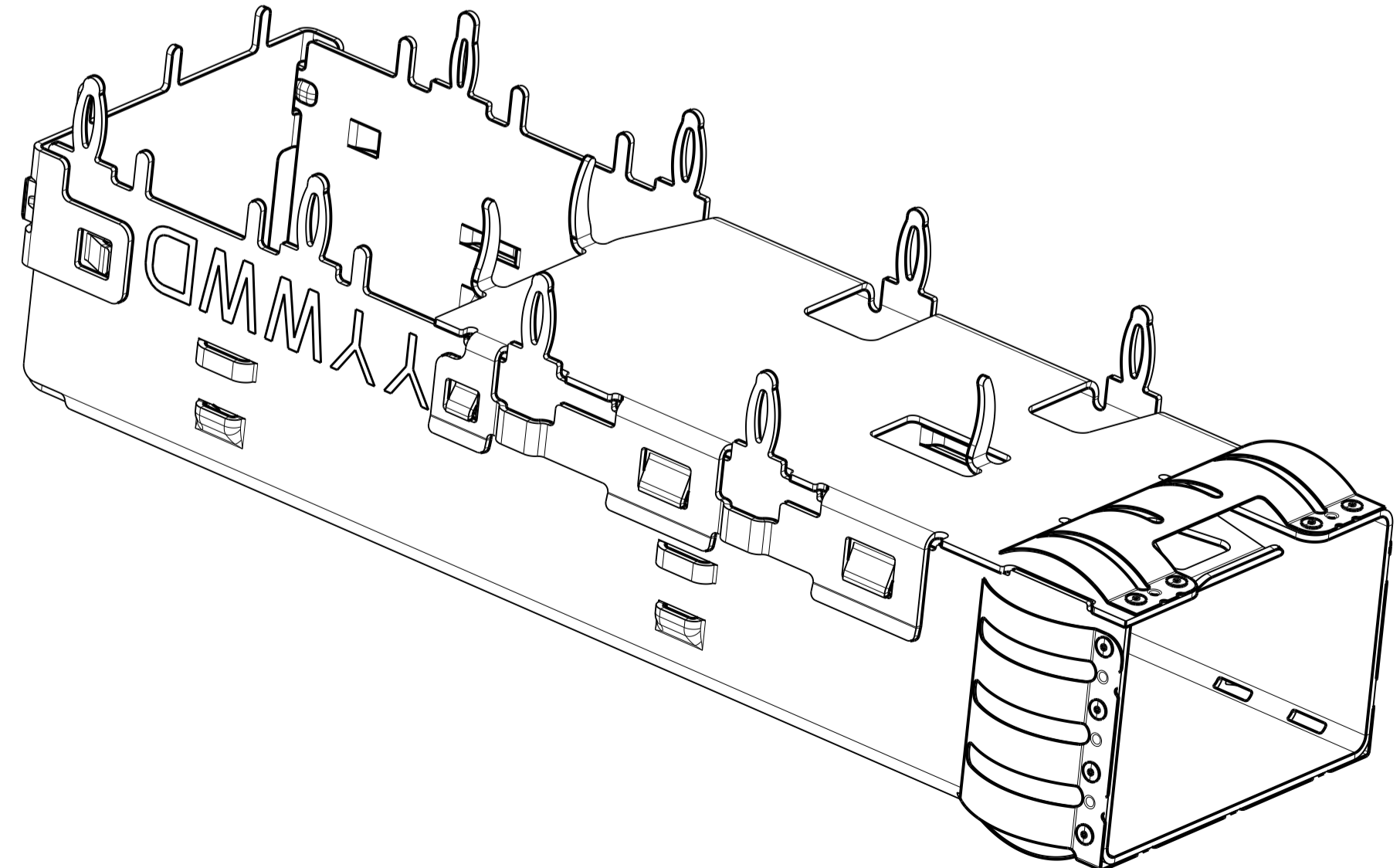


2170680-1, 2170680-4
 SCALE 4:1

2170680-3
 SCALE 4:1

3-2170680-1
 SAME TO 2170680-1
 WITHOUT 3 LOCATE PIN
 SCALE 4:1

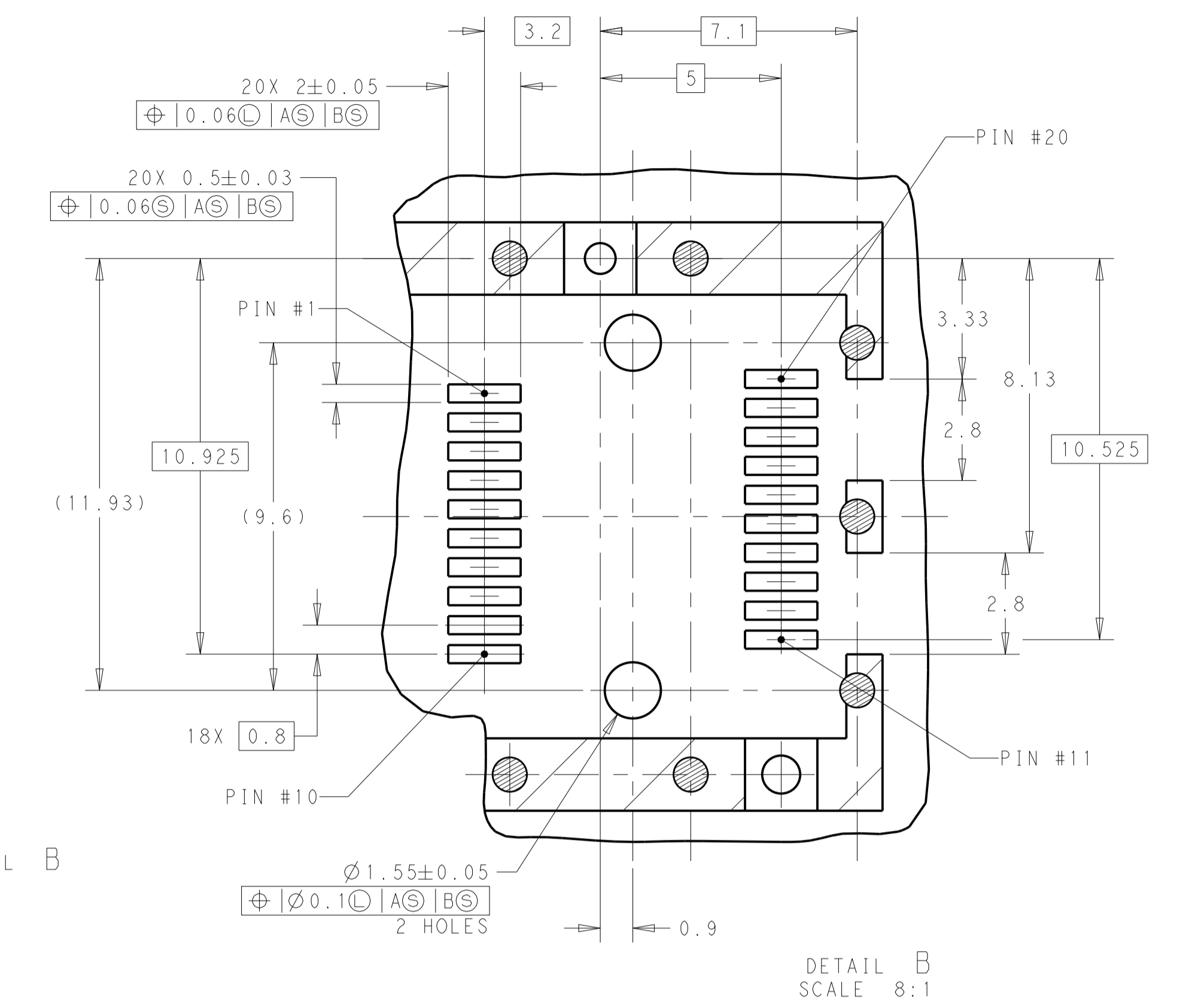
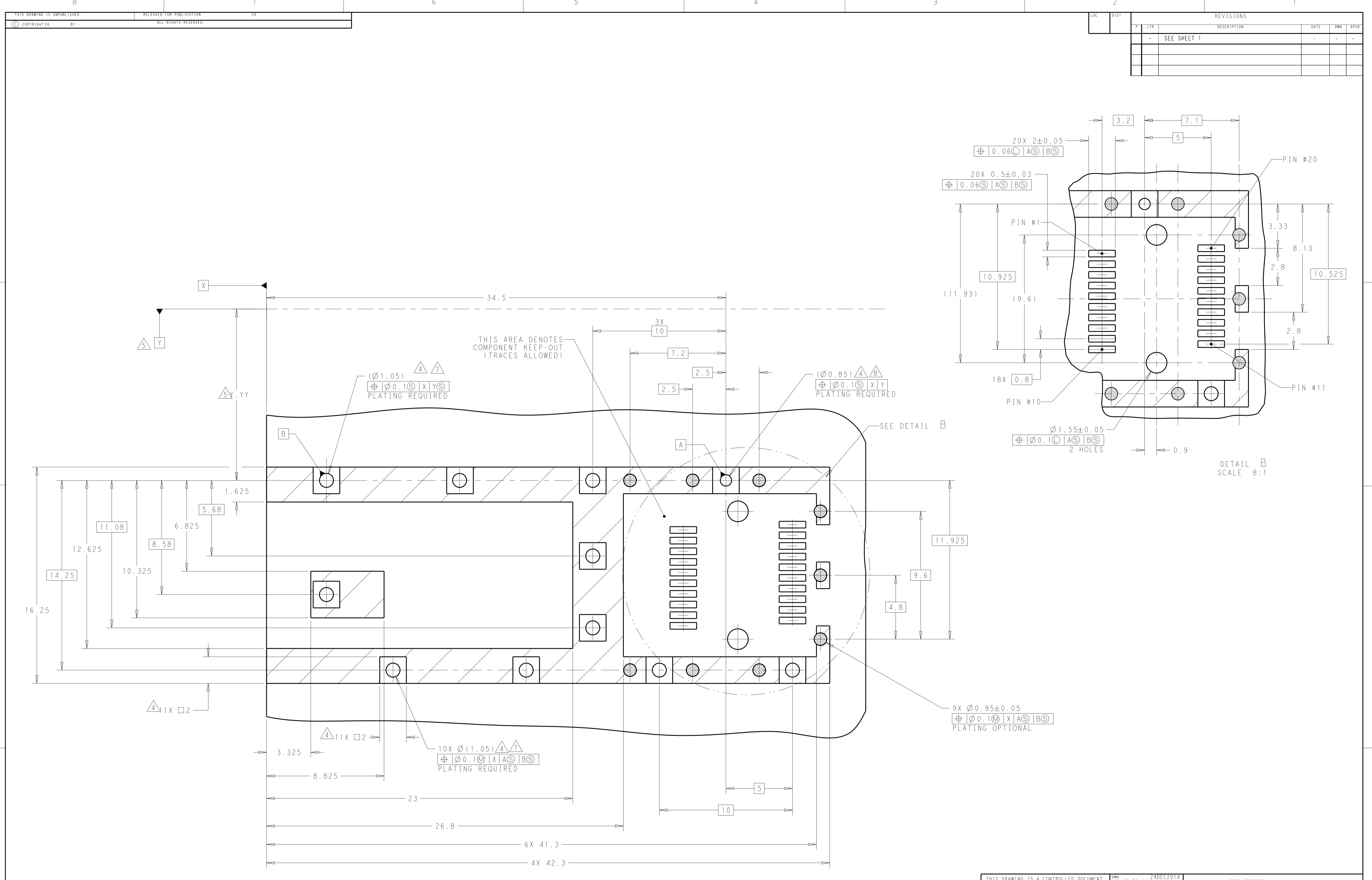
2-2170680-1
 SAME TO 2170680-1 EXCEPT WO KICK-OUT SPRING



THIS DRAWING IS A CONTROLLED DOCUMENT.		DMN: CHARLES WAN 24DEC2014	TE Connectivity
DIMENSIONS: 1 IN		CHK: SEAN HAN 24DEC2014	
TOLERANCES UNLESS OTHERWISE SPECIFIED:		APVD: SEAN HAN 24DEC2014	NAME: SFP+ 1X1 CAGE ASSEMBLY, PRESS-FIT PRESS-FIT, EMI SPRINGS
0 PLC ±0.1		PRODUCT SPEC: 108-2364	
1 PLC ±.1		APPLICATION SPEC: 114-13120	SIZE: A100779C=2170680 WEIGHT: -
2 PLC ±.1		RESTRICTED TO: -	
3 PLC ±.05		CUSTOMER DRAWING	SCALE: 6:1
4 PLC ±.05			SHEET 2 OF 5
ANGLES ±.05			REV B
FINISH			

LOC	DIST	REV	DATE	BY	APPV
		1			

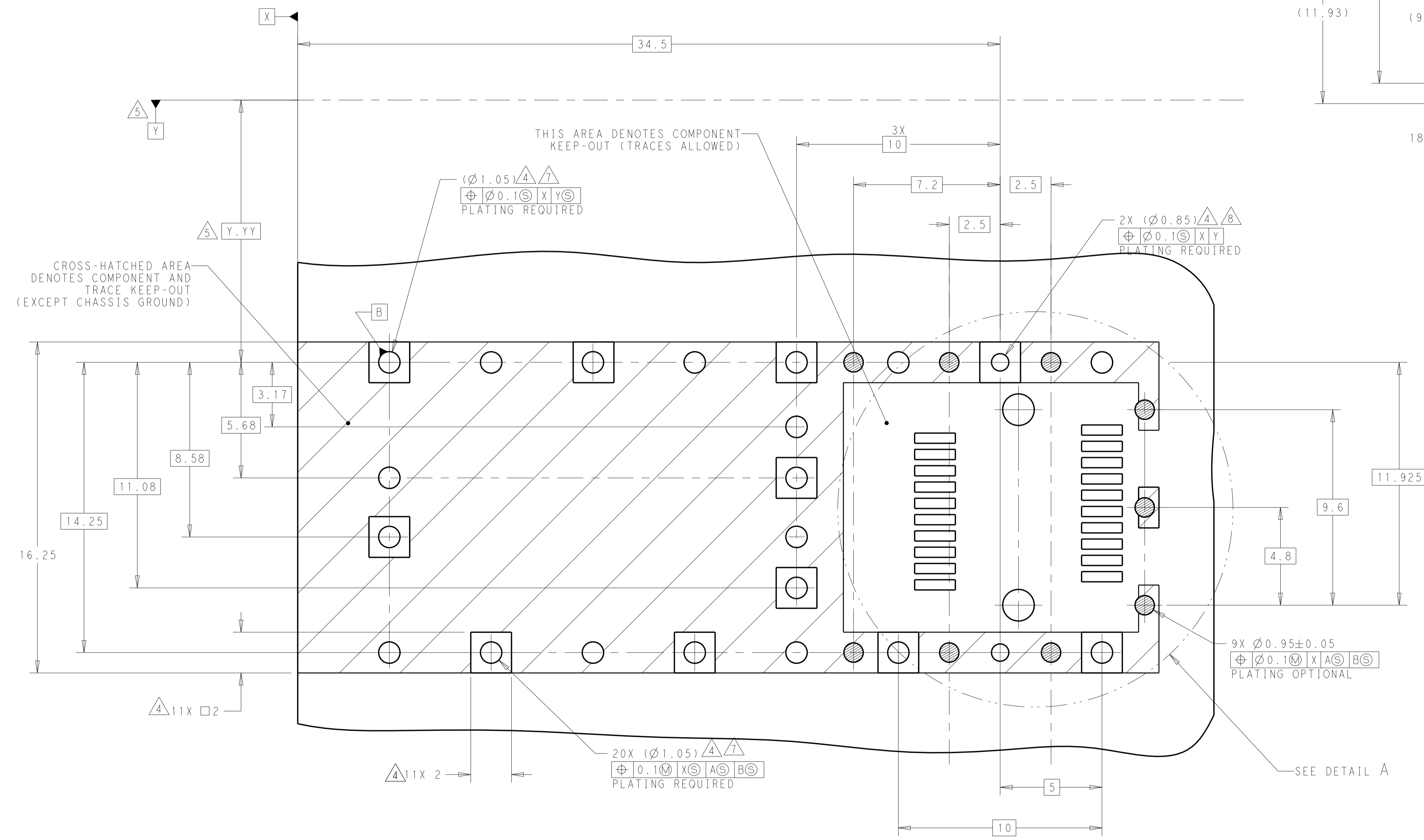
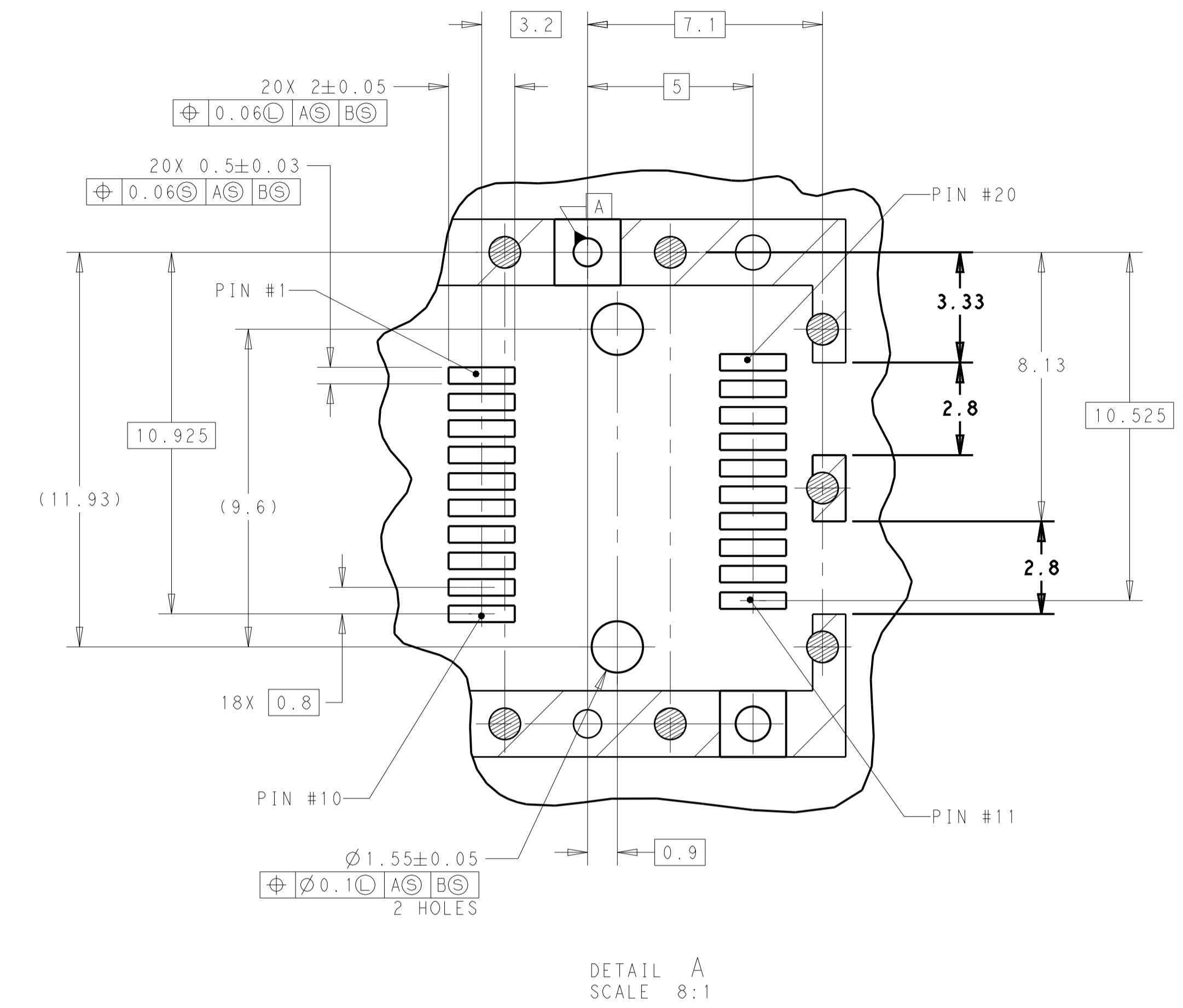
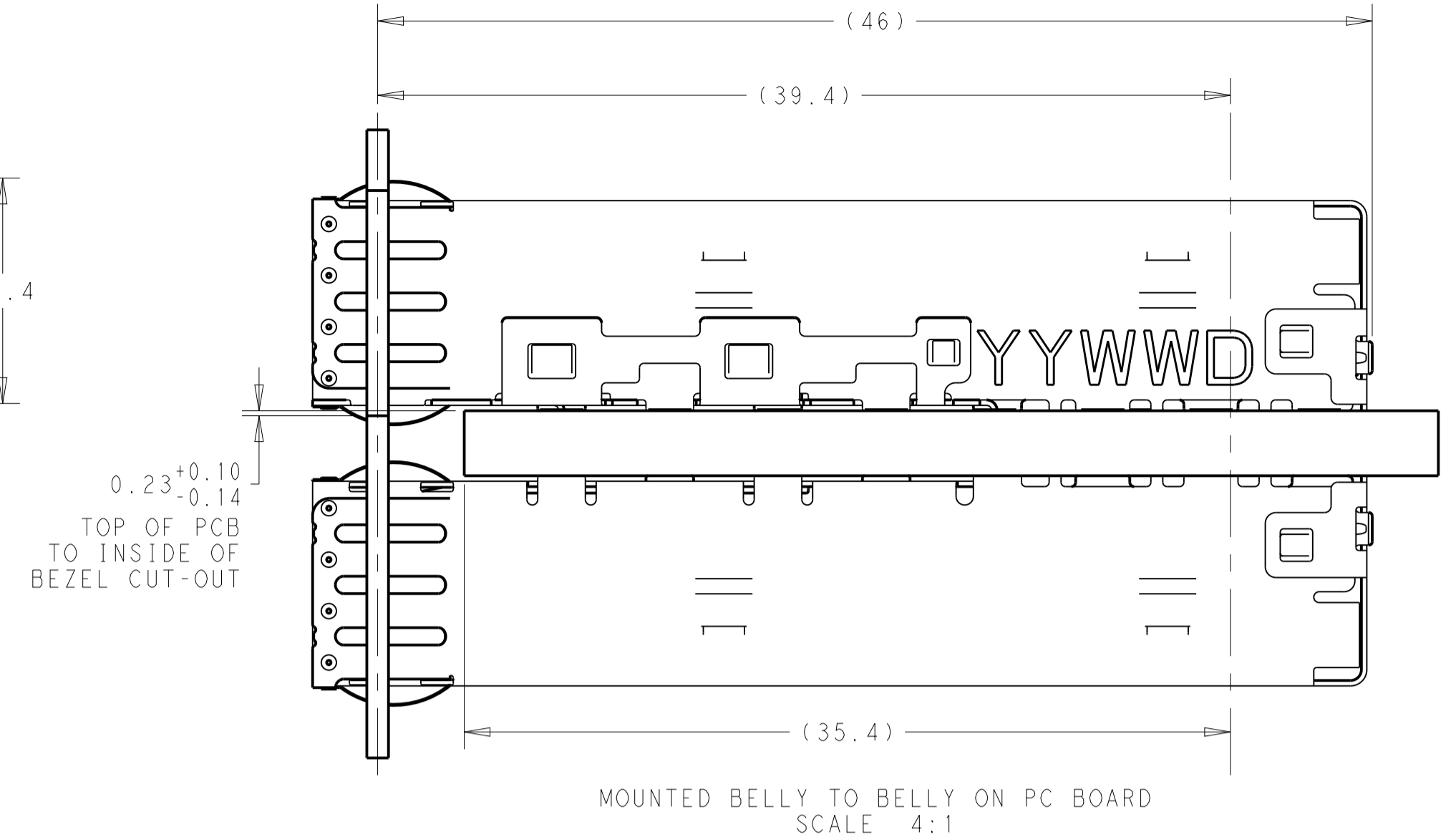
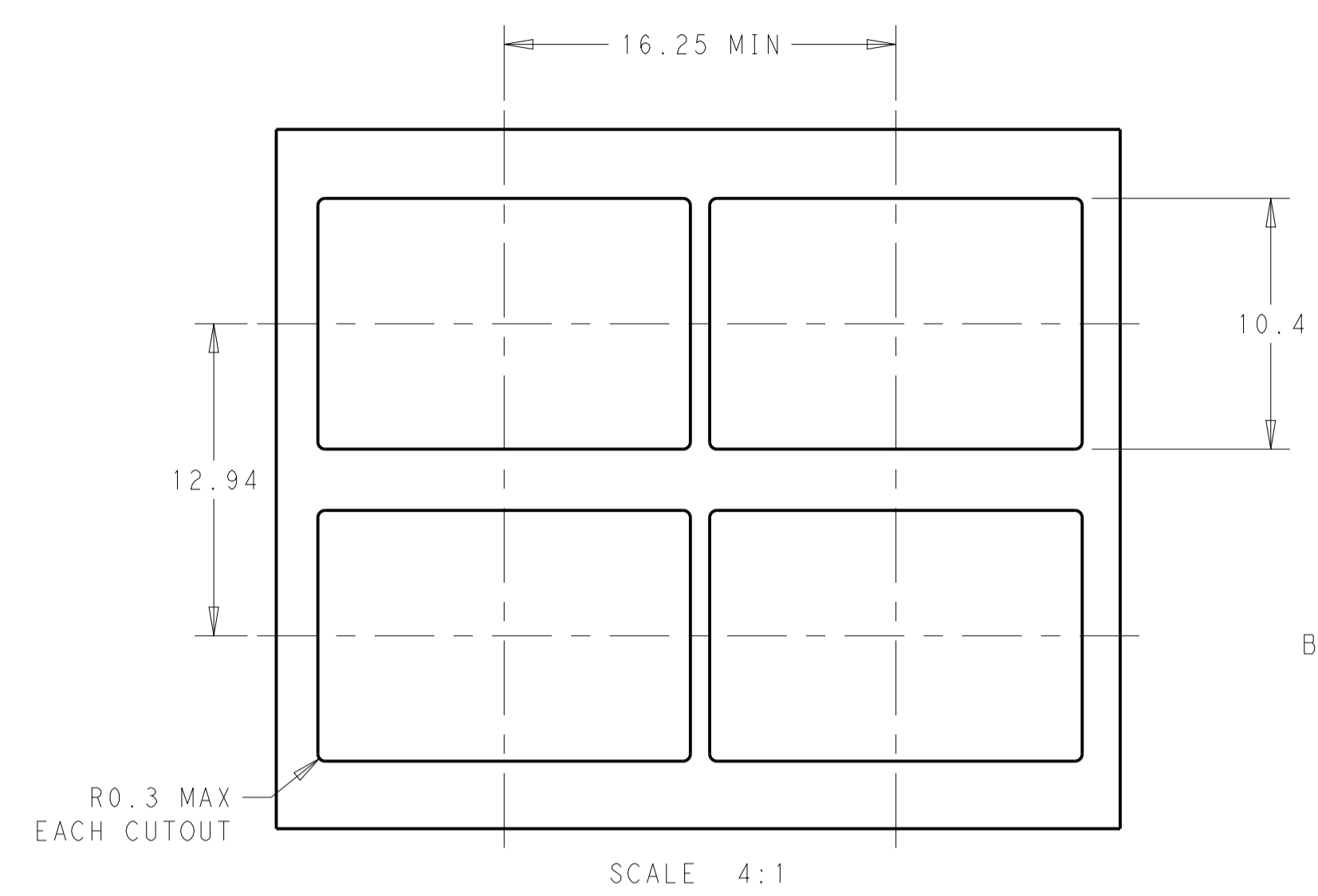
REVISIONS		DATE	BY	APPV
1	SEE SHEET 1			



RECOMMENDED PCB LAYOUT FOR WITH INSULATING TAPE PART
 SCALE 8:1

THIS DRAWING IS A CONTROLLED DOCUMENT.		OWN: CHARLES WAN 24DEC2014	TE Connectivity
DIMENSIONS: IN		CHK: SEAN HAN 24DEC2014	
TOLERANCES UNLESS OTHERWISE SPECIFIED:		APPV: SEAN HAN 24DEC2014	NAME: SFP+ 1X1 CAGE ASSEMBLY, PRESS-FIT PRESS-FIT, EMI SPRINGS
0 PLC ± 0.1	1 PLC ± 0.1	PRODUCT SPEC: 108-2364	SIZE: A1
2 PLC ± 0.1	3 PLC ± 0.05	APPLICATION SPEC: 114-13120	CAGE CODE: C=2170680
4 PLC ± 0.05	ANGLES ± 0.5	WEIGHT: -	RESTRICTED TO: -
MATERIAL: FINISH:		CUSTOMER DRAWING	SCALE: 2:1 SHEET 4 OF 5 REV B

LOC		DIST		REVISIONS			
P	LTN	DESCRIPTION	DATE	OWN	APVD		
-	-	SEE SHEET 1	-	-	-		



THIS DRAWING IS A CONTROLLED DOCUMENT.		OWN: CHARLES WAN 24DEC2014	TE Connectivity
DIMENSIONS: 1 IN		CHK: SEAN HAN 24DEC2014	
TOLERANCES UNLESS OTHERWISE SPECIFIED:		APVD: SEAN HAN 24DEC2014	NAME: SFP+ 1X1 CAGE ASSEMBLY, PRESS-FIT PRESS-FIT, EMI SPRINGS
0 PLC ±0.1	1 PLC ±.1	PRODUCT SPEC: 108-2364	SIZE: A100779C=2170680
2 PLC ±.1	3 PLC ±.05	APPLICATION SPEC: 114-13120	RESTRICTED TO: -
4 PLC ±.05	ANGLES ±.05	WEIGHT: -	SCALE: 1:1
MATERIAL: -	FINISH: -	CUSTOMER DRAWING	SHEET 5 OF 5 REV B

X-ON Electronics

Largest Supplier of Electrical and Electronic Components

Click to view similar products for [Rectangular MIL Spec Connectors](#) category:

Click to view products by [TE Connectivity](#) manufacturer:

Other Similar products are found below :

[891-011-15SA2-BSST](#) [CTS-S16/16](#) [65002-062](#) [CY4602-000](#) [732-8020-01](#) [77058-22-55PN](#) [81542-20](#) [86.030.0053.0](#) [1241346-1](#) [RM252-020-311-2900](#) [DMC-M 08-16 SA](#) [1589051-4](#) [MSO34MPK1E1](#) [BACC65CAMA](#) [BACC65CP1PN](#) [BACI10BC0816PNBA](#) [HSB-D4S03DM222X](#) [2217548-1](#) [891-006-9PS-BST1T](#) [891-009-15SA2-BRT1T](#) [27963-20T12](#) [SIM2N40NC3](#) [SIM2S100A](#) [1604996-2](#) [SMD25PN90L-4055](#) [1900ND08S1B00A](#) [22628-10-6P-791](#) [33526M11-08PD](#) [RE04-212S](#) [M32139/03-G05SN](#) [CTD160E01F-6148](#) [CTJ112E03B](#) [CTJ122E02D-8000](#) [CTJ-3D-12](#) [CTJ920E06N-513](#) [CTJ920E12N-513](#) [CTL-16-090](#) [RM300-000-581-0000](#) [CY4600-000](#) [CY4601-000](#) [38111-14-15SN](#) [38112-14-15PN](#) [MMA23-0111R1](#) [MMD25-0071P1](#) [33516062020](#) [33526M11-08PE](#) [DMC-M99-01AN](#) [Y59113WE20PNV00300](#) [ZPF000000000106310](#) [105979-31](#)