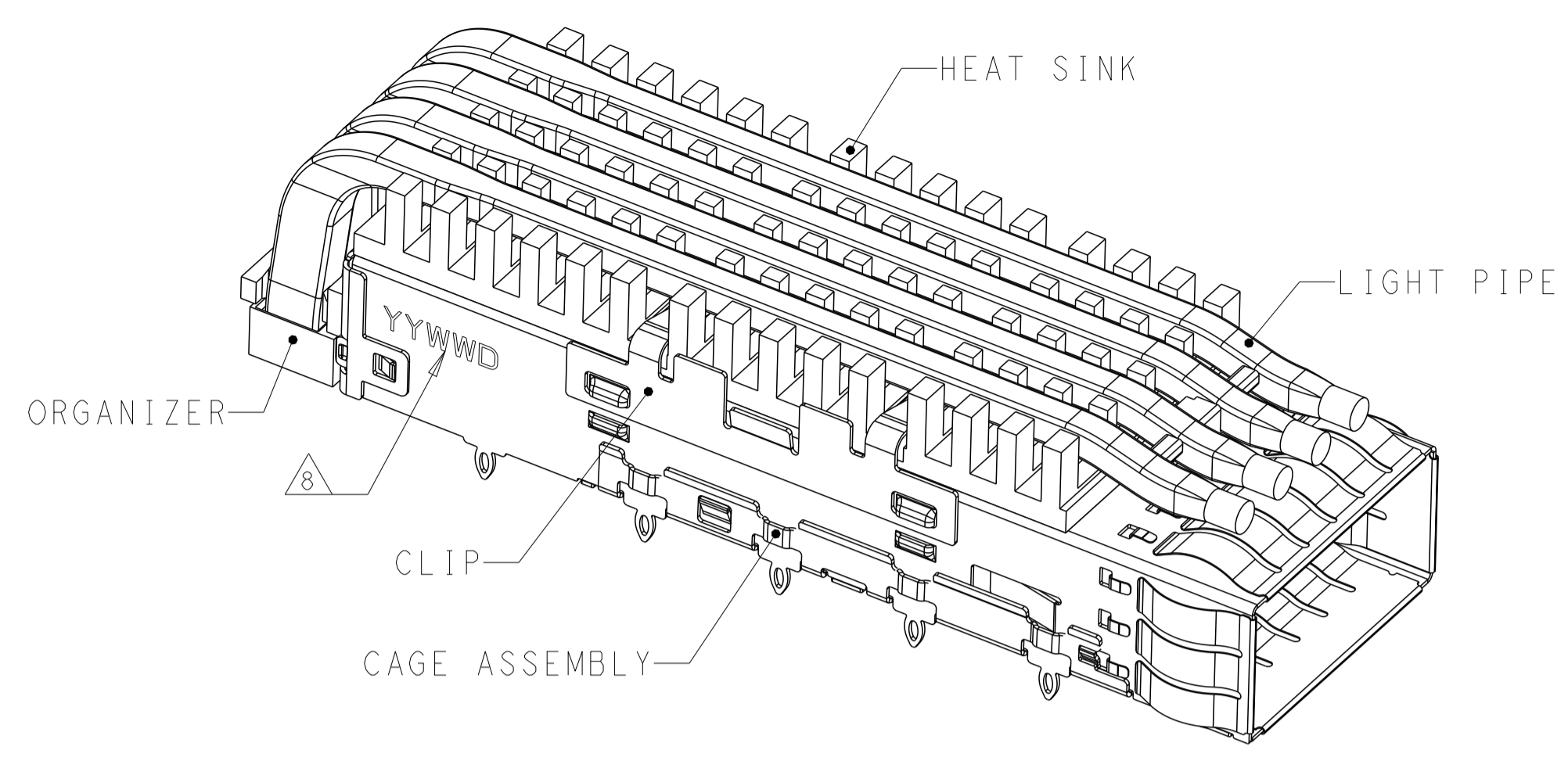
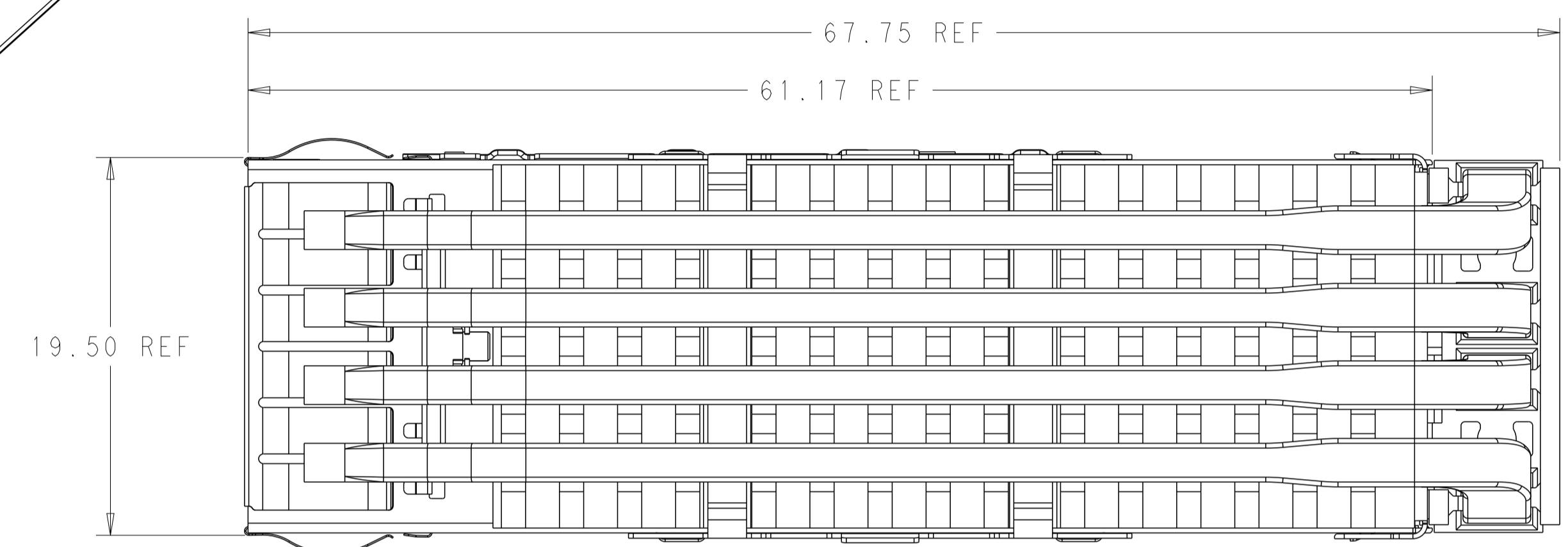


LOC		DIST		REVISIONS			
P	LTN	DESCRIPTION	DATE	DWN	APVD		
B		REVISED PER ECO-17-011899	15AUG2017	RG	SH		
C		ADD SOME DIMENSIONS	10JAN2018	JY	SH		
D		REVISED PER ECO-19-013580	04SEP2019	SH	SH		
D1		REVISED PER ECN-22-135969	08JAN2022	TP	SZ		

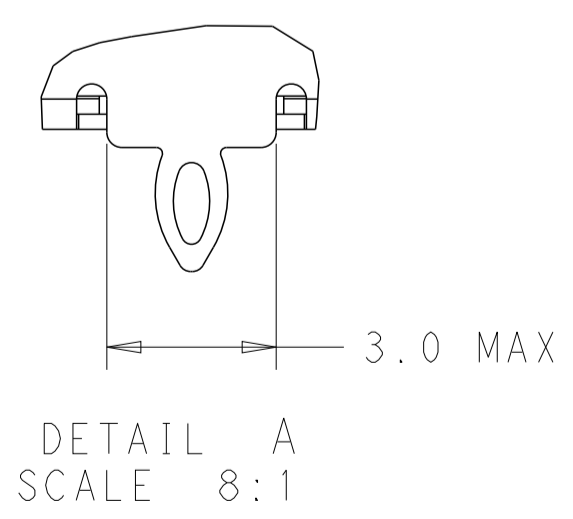
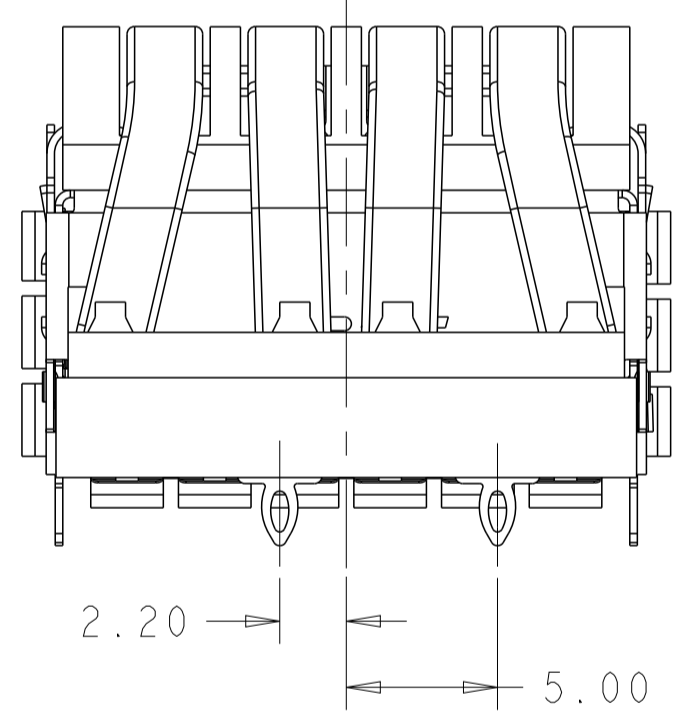
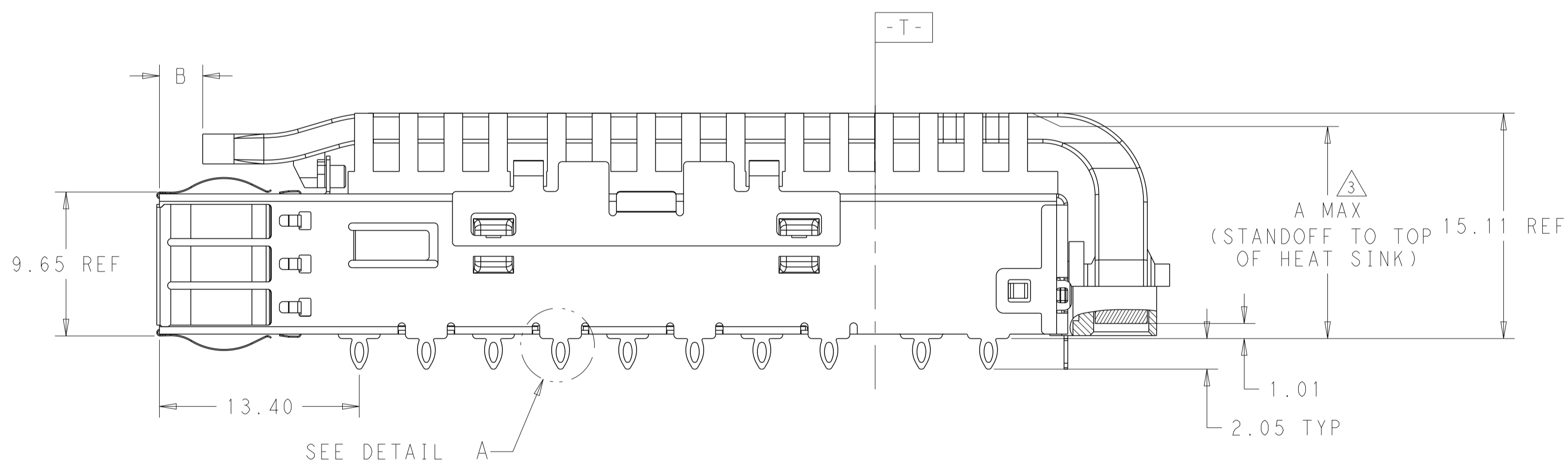
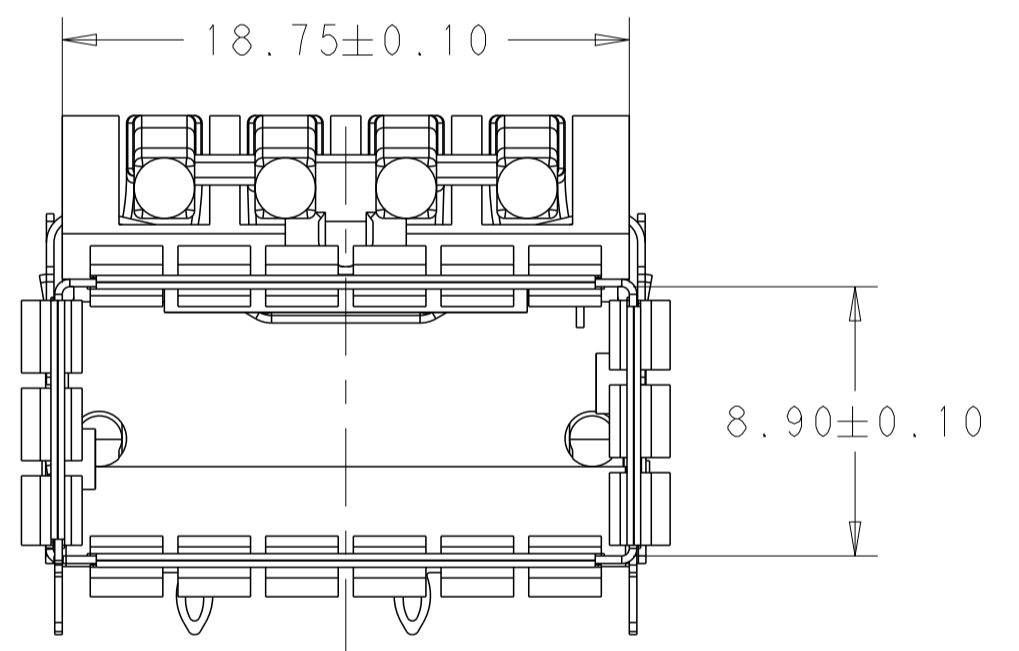


4-2170705-2 SHOWN
SCALE 3:1

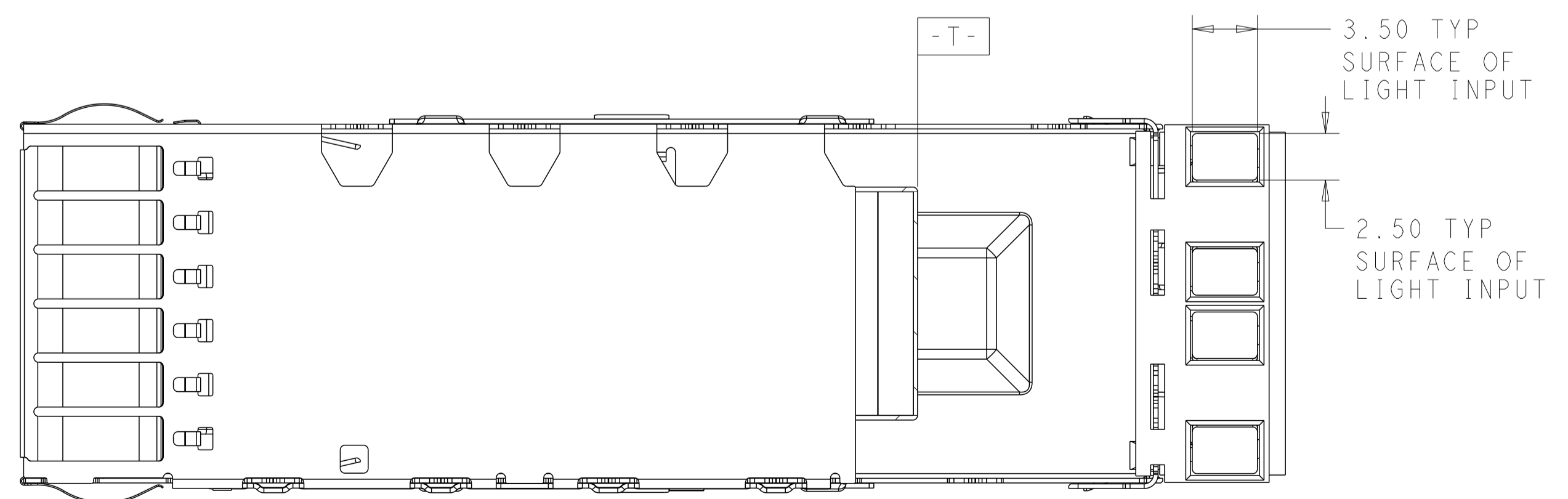


- MATERIAL: CAGE MATERIAL : 0.25 THICK NICKEL SILVER.
 SPRING MATERIAL: COPPER ALLOY
 HEAT SINK MATERIAL: ALUMINUM
 CLIP MATERIAL: STAINLESS STEEL
 LIGHT PIPE MATERIAL: POLYCARBONATE
 ORGANIZER MATERIAL: POLYESTER
- FINISH: SPRING: NICKEL PLATING
 HEAT SINK: BLACK ANODIZE

- ⚠ DIMENSION APPLIES WITH MODULE INSTALLED IN THE CAGE TO TOP OF HEAT SINK.
- ⚠ REFERENCE APPLICATION SPEC 114-32023 FOR RECOMMENDED DRILL HOLE DIAMETER AND PLATING THICKNESS.
- ⚠ DATUM AND BASIC DIMENSIONS ESTABLISHED BY CUSTOMERS.
- 6. MINIMUM PC BOARD THICKNESS : SINGLES SIDED: 1.57 MIN
 DOUBLE SIDED: 2.20 MIN
- ⚠ DATUM [-A-] IS TOP SURFACE OF THE HOST BOARD.
- ⚠ DATE CODE (YYWW) MARKED APPROXIMATELY AS SHOWN
- ⚠ THESE HOLES ARE OPTIONAL WHEN THE REAR PINS ARE REMOVED.
- 10. MATES WITH QSFP28 MSA COMPATIBLE TRANSCEIVER.
- ⚠ PRELIMINARY PART - NOT RELEASE TO PRODUCTION.



DETAIL A
SCALE 8:1

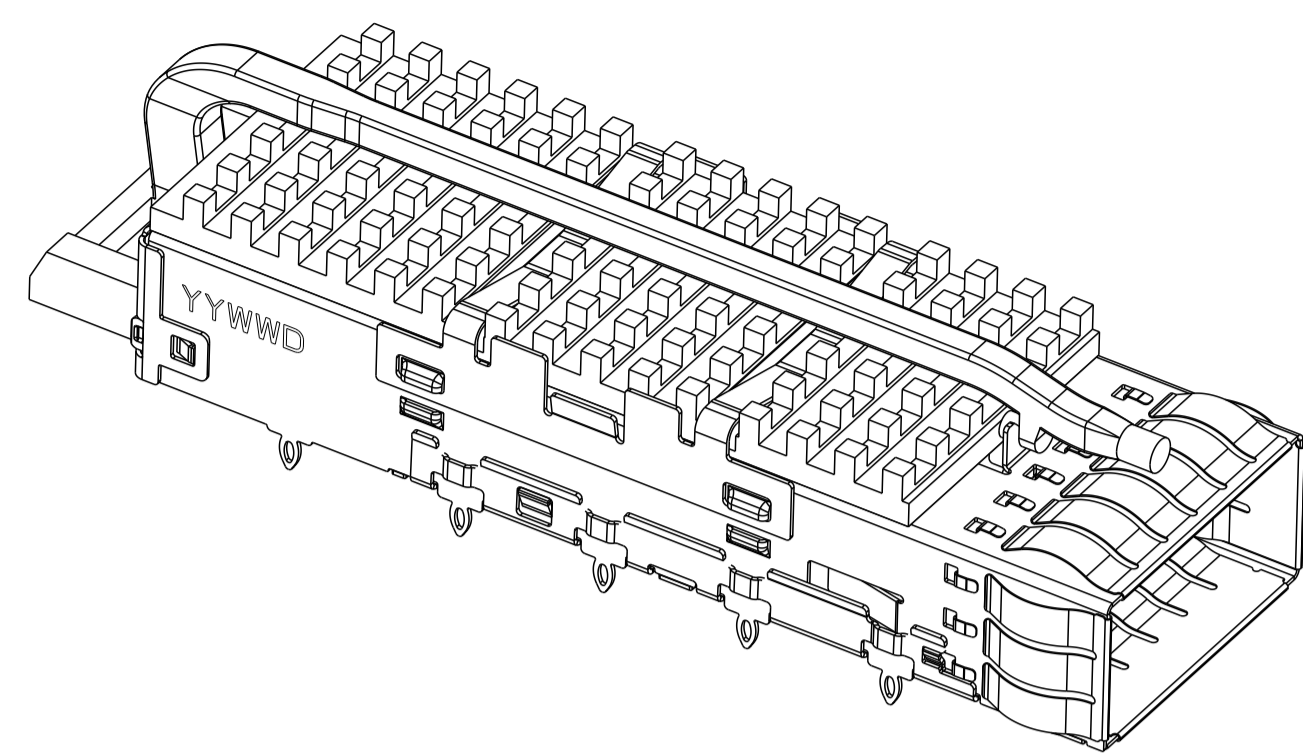


4-2170705-2 AS SHOWN

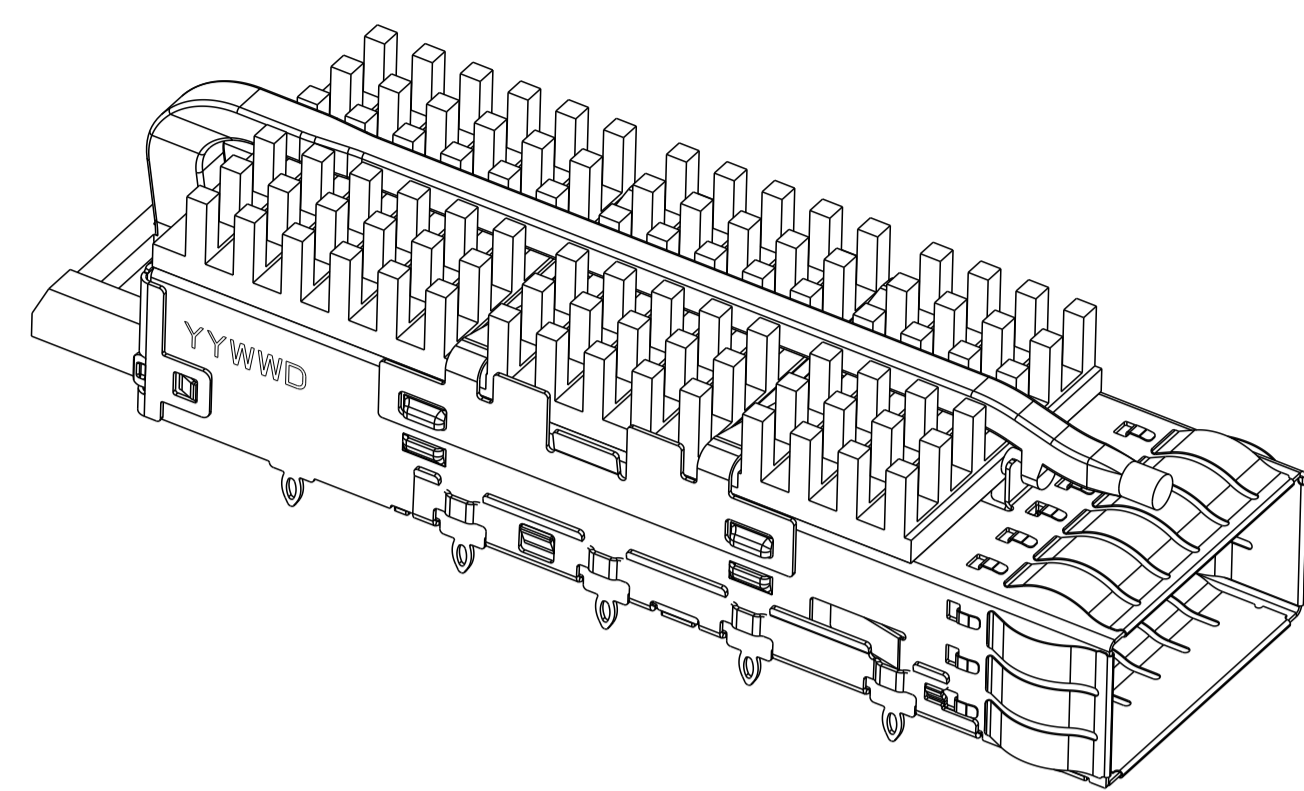
THIS DRAWING IS A CONTROLLED DOCUMENT.		DWN: JASON YANG 07MAR2014	TE Connectivity	
		CHK: SEAN HAN 26JAN2016		
DIMENSIONS:		TOLERANCES UNLESS OTHERWISE SPECIFIED:		NAME: CAGE ASSEMBLY, QSFP28, THRU BEZEL WITH EMI SPRING FINGER HEAT SINK, LIGHT PIPE
mm		0 PLC ±0.25		PRODUCT SPEC: 108-19428
		1 PLC ±0.25		APPLICATION SPEC: 114-32023
		2 PLC ±0.25		SIZE: CAGE CODE DRAWING NO: A100779C=2170705
		3 PLC ±0.25		RESTRICTED TO: -
		4 PLC ±0.100		WEIGHT: -
		ANGLES ±°		CUSTOMER DRAWING
		FINISH: -		SCALE: 2:1 SHEET 1 OF 9 REV: D1

LOC		DIST		REVISIONS			
P	LYR	DESCRIPTION	DATE	OWN	APVD		
-	-	SEE SHEET 1	-	-	-		

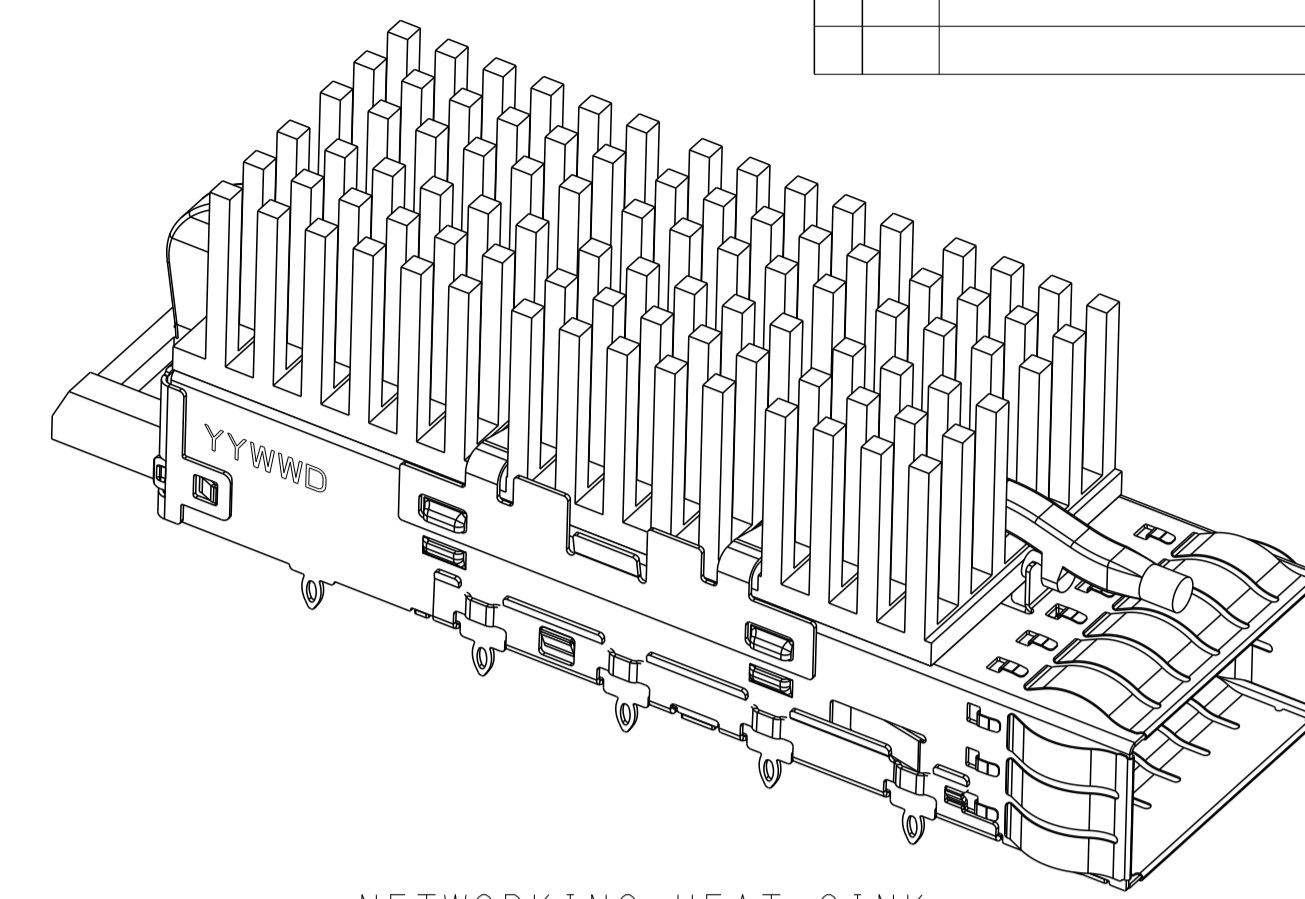
HEAT SINK OPTIONS



PCI HEAT SINK
SCALE 5:2

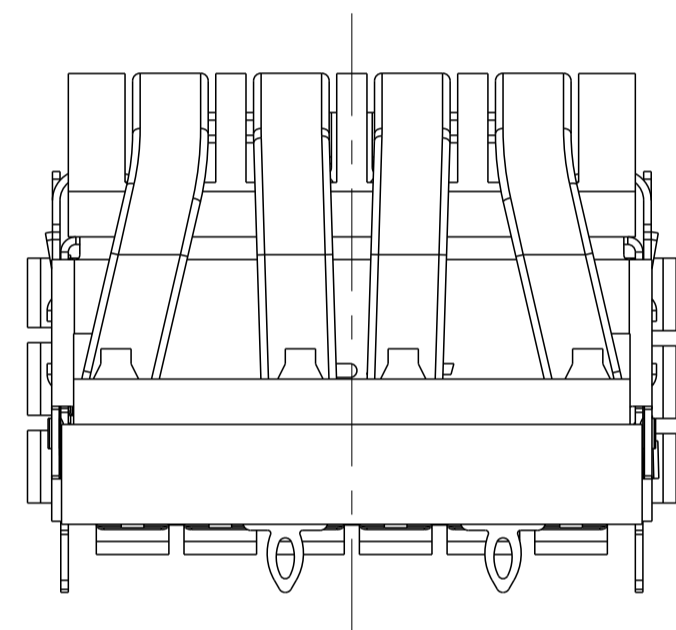


SAN HEAT SINK
SCALE 5:2

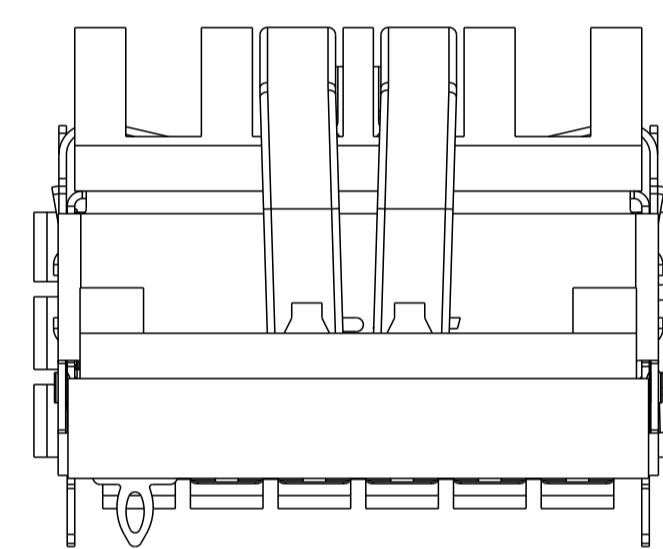


NETWORKING HEAT SINK
SCALE 5:2

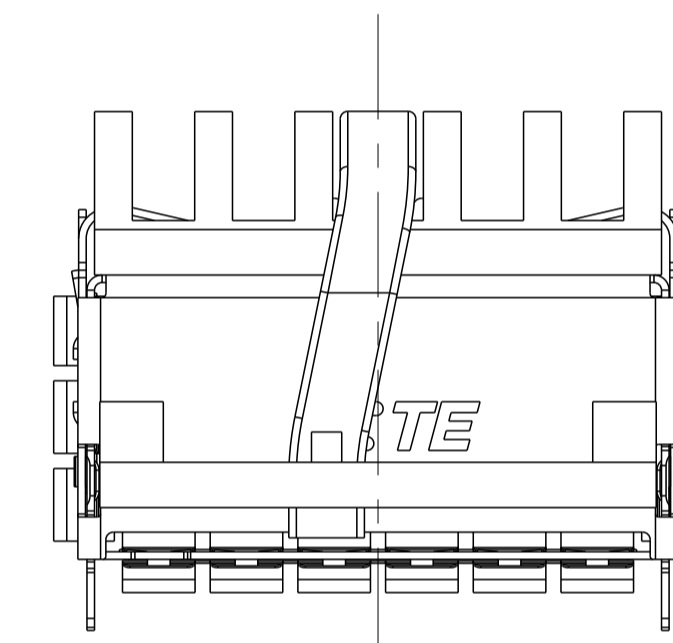
OF REAR LEGS OPTIONS



2 REAR LEGS
SCALE 4:1

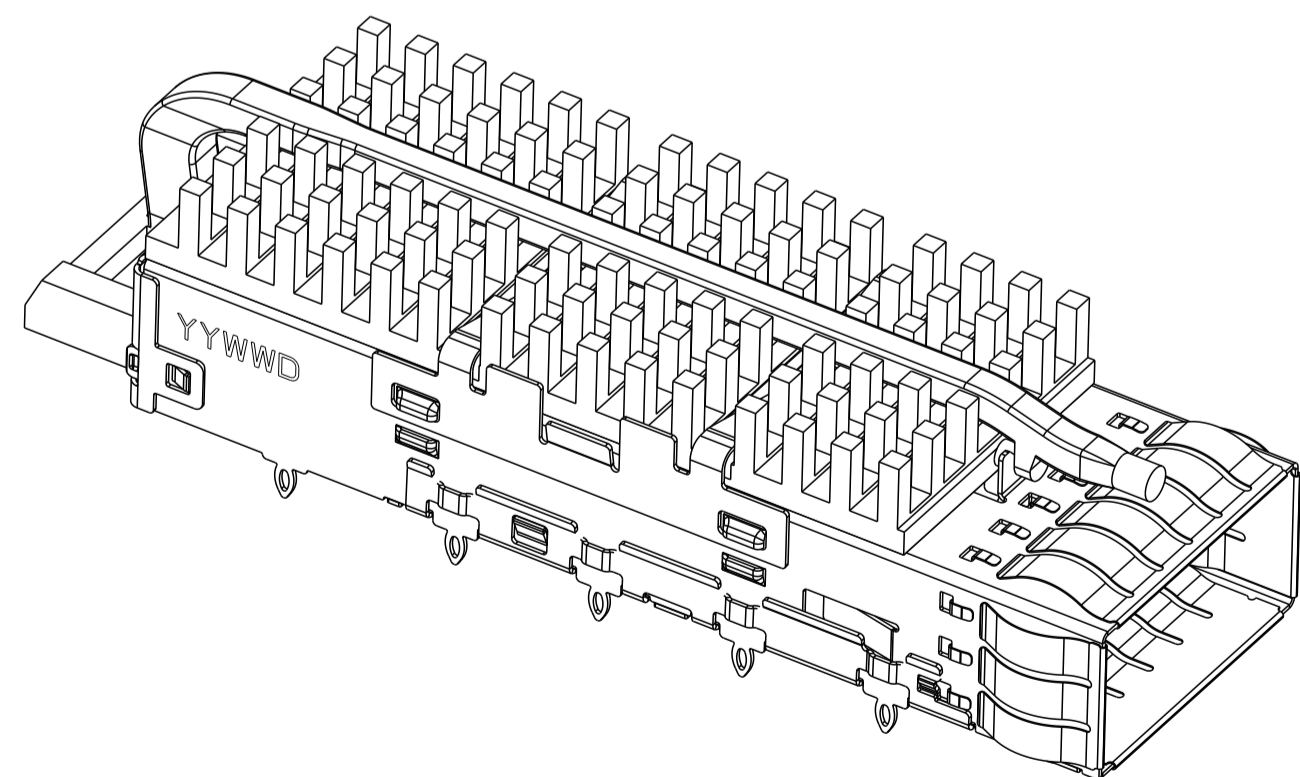


1 REAR LEG
SCALE 4:1

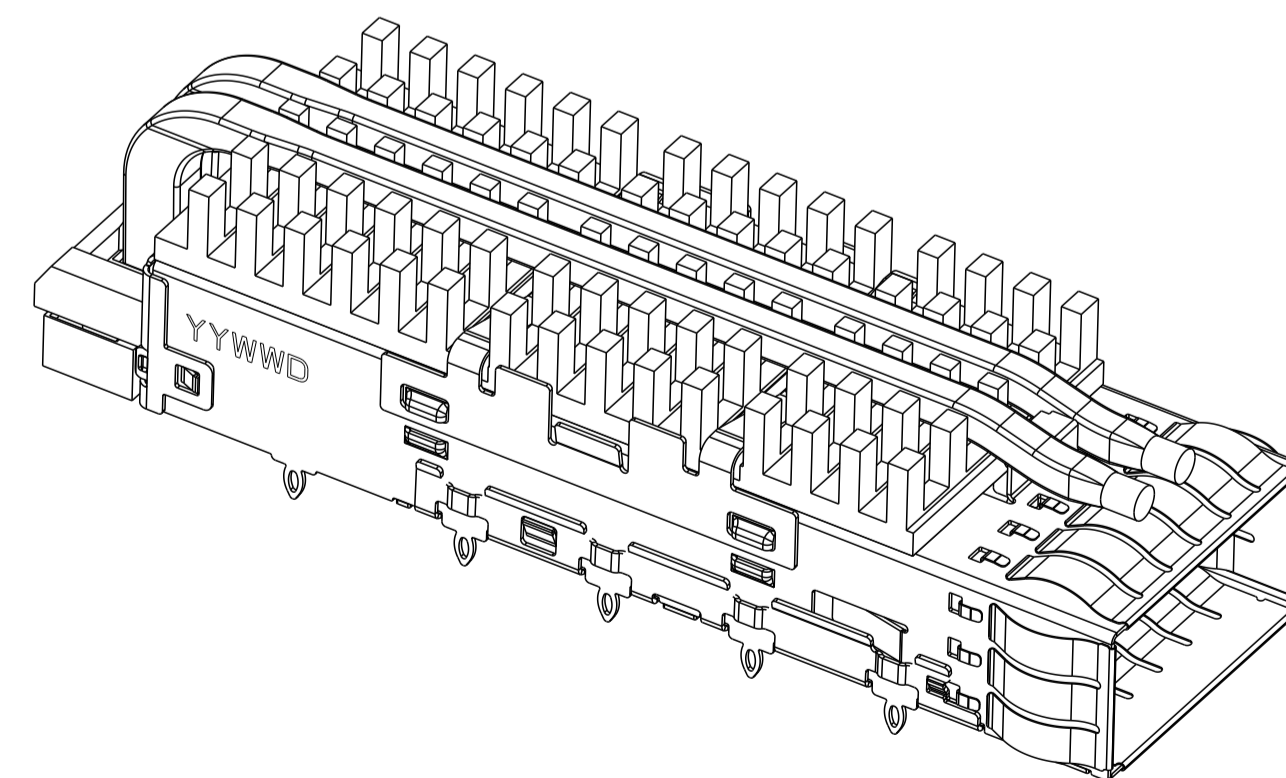


0 REAR LEG
SCALE 4:1

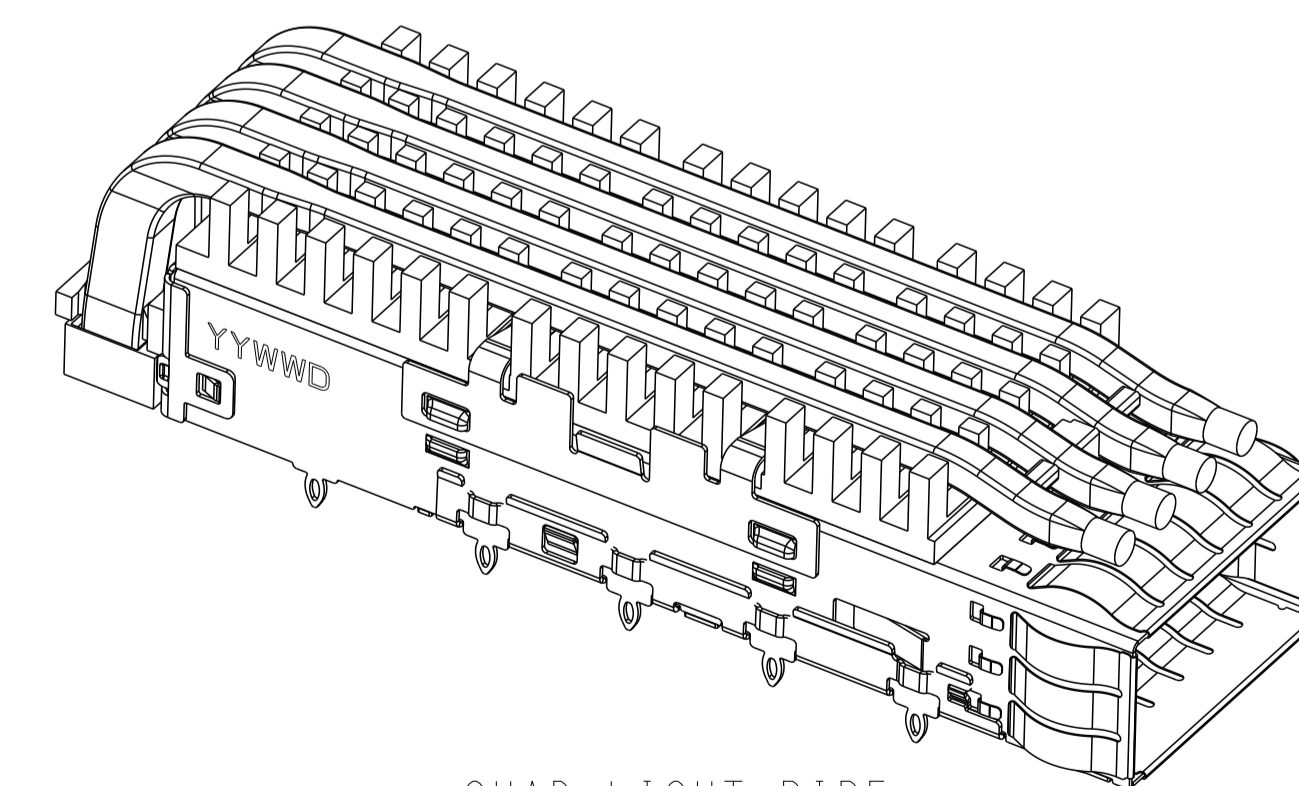
LIGHT PIPE OPTIONS



SINGLE LIGHT PIPE
WITHOUT ORGANIZER
SCALE 5:2



DUAL LIGHT PIPE
SCALE 5:2

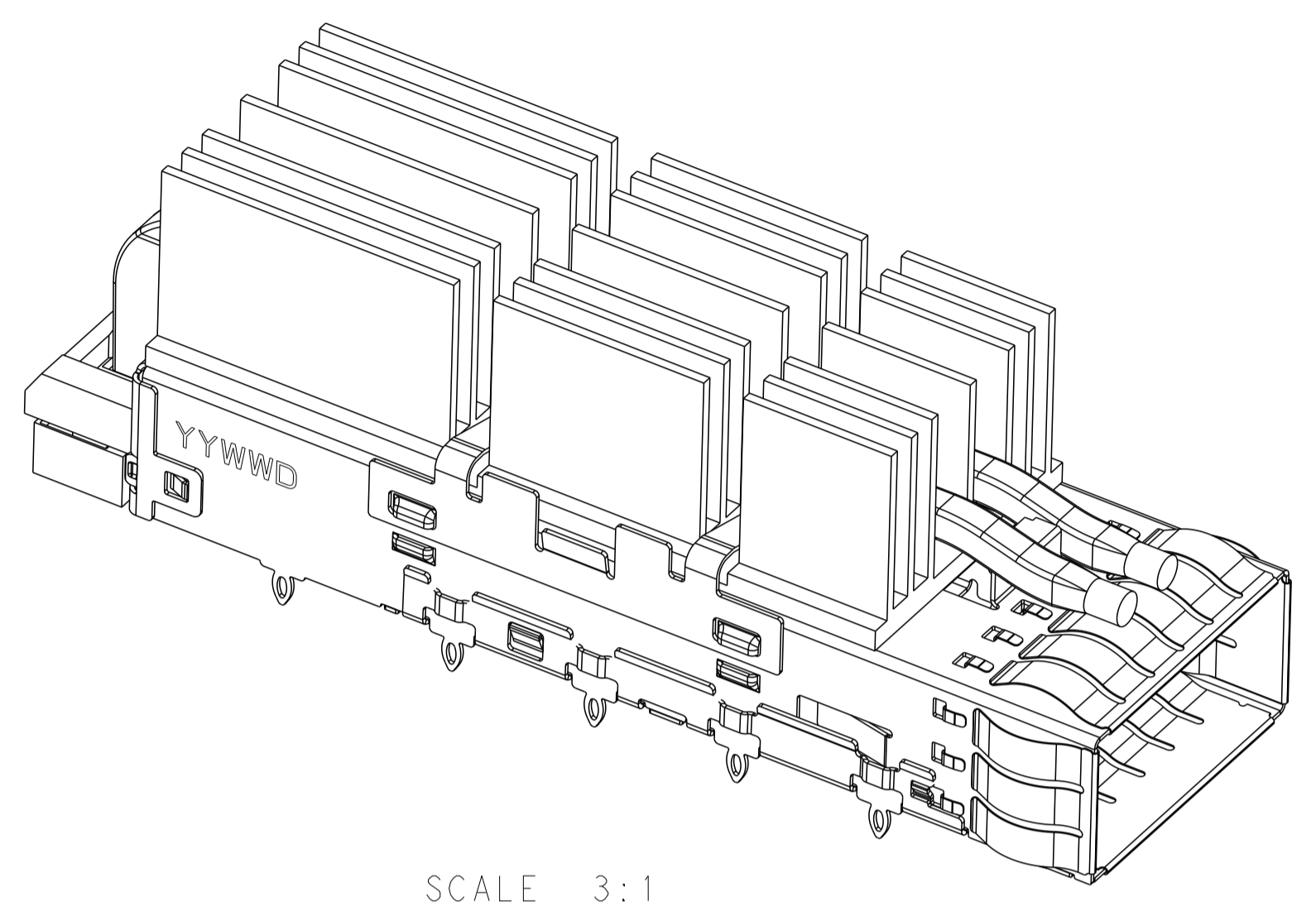


QUAD LIGHT PIPE
SCALE 5:2

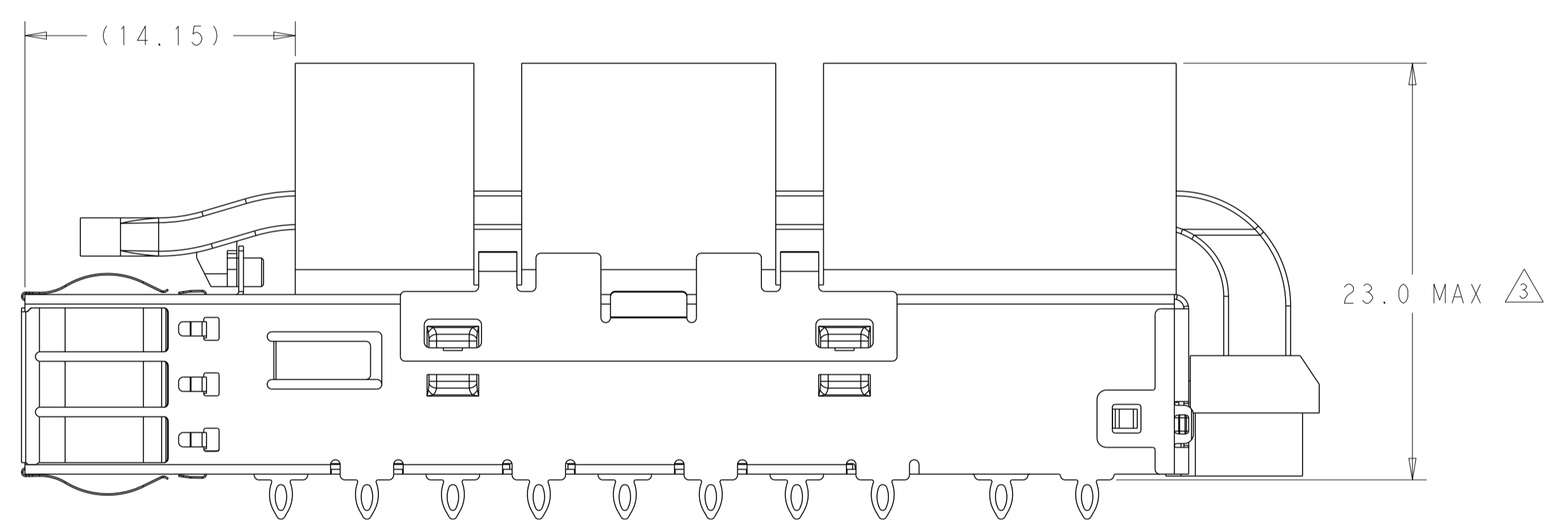
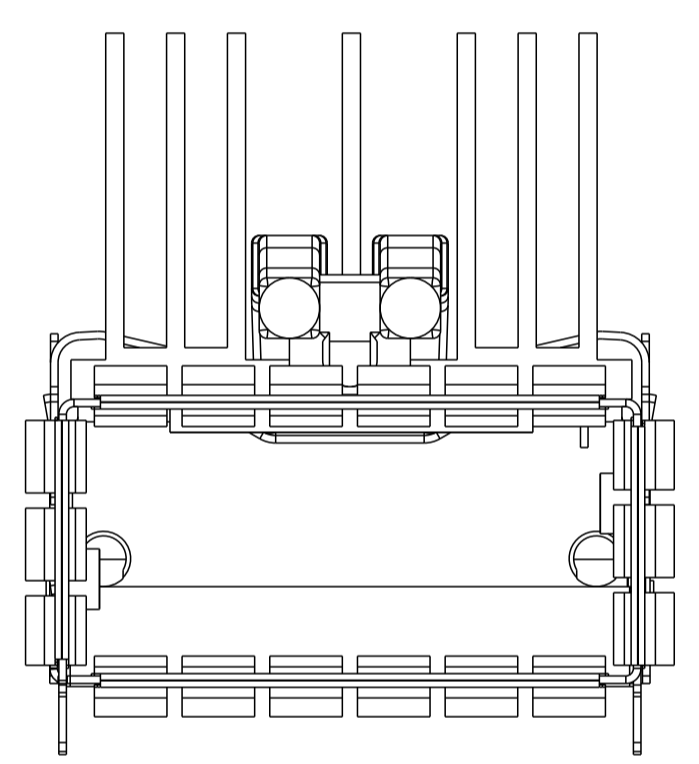
THIS DRAWING IS A CONTROLLED DOCUMENT.		OWN: JASON YANG 07MAR2014	
		CHK: SEAN HAN 26JAN2016	
DIMENSIONS:	TOLERANCES UNLESS OTHERWISE SPECIFIED:	APVD:	NAME:
mm	0 PLC ±0.25	PRODUCT SPEC	CAGE ASSEMBLY, QSFP28, THRU BEZEL
	1 PLC ±0.25	APPLICATION SPEC	WITH EMI SPRING FINGER
	2 PLC ±0.25	RESTRICTED TO:	HEAT SINK, LIGHT PIPE
	3 PLC ±0.25	SIZE: CAGE CODE DRAWING NO	A100779C=2170705
	4 PLC ±0.100	WEIGHT:	SCALE 2:1 SHEET 2 OF 9 REV D1
	ANGLES ±°	CUSTOMER DRAWING	
MATERIAL:	FINISH:		

LOC		DIST		REVISIONS			
P	LTN	DESCRIPTION	DATE	DMN	APVD		
-	-	SEE SHEET 1	-	-	-		

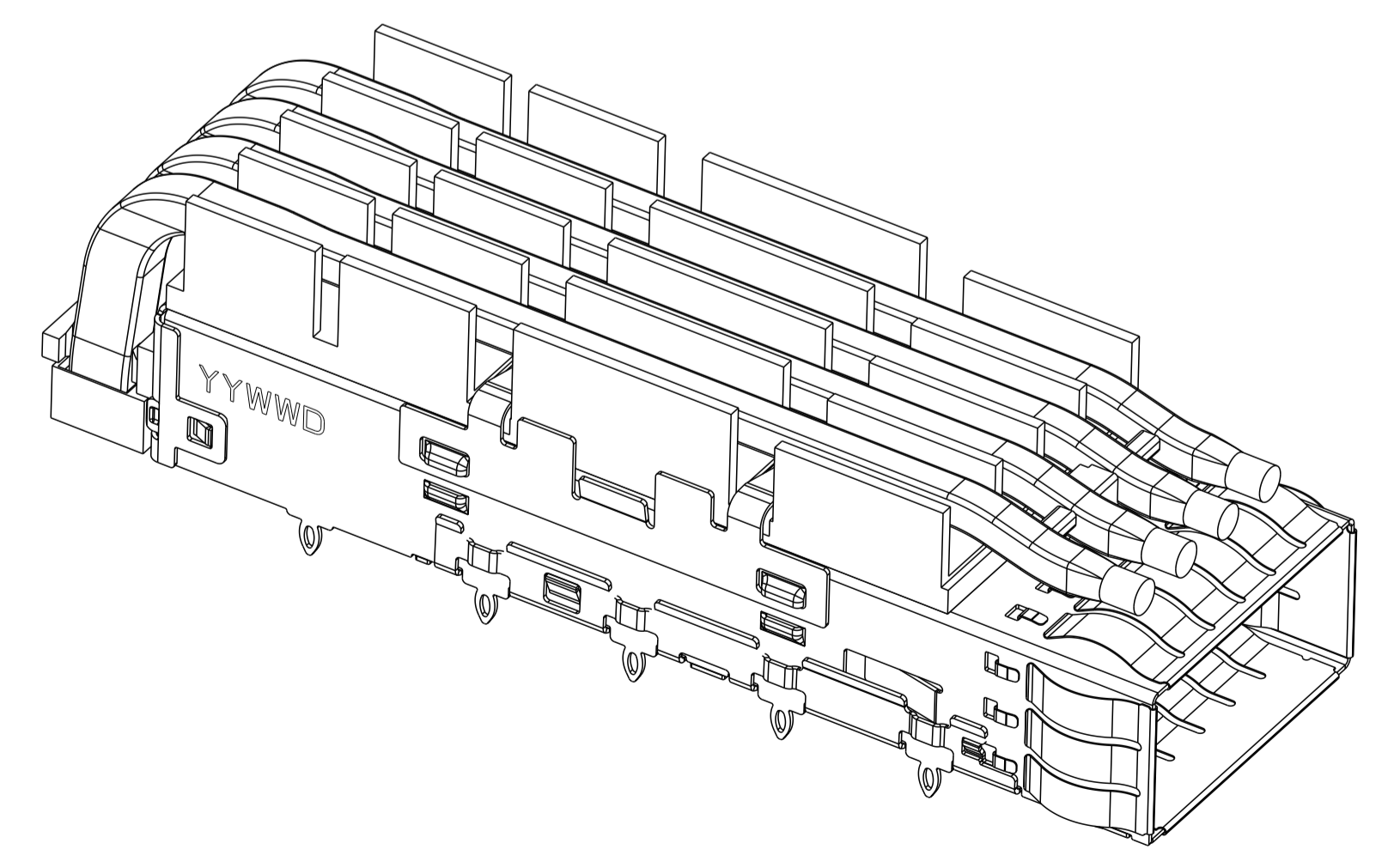
3-2170705-0
 UNMARKED DIMENSIONS SAME AS 2-2170705-6



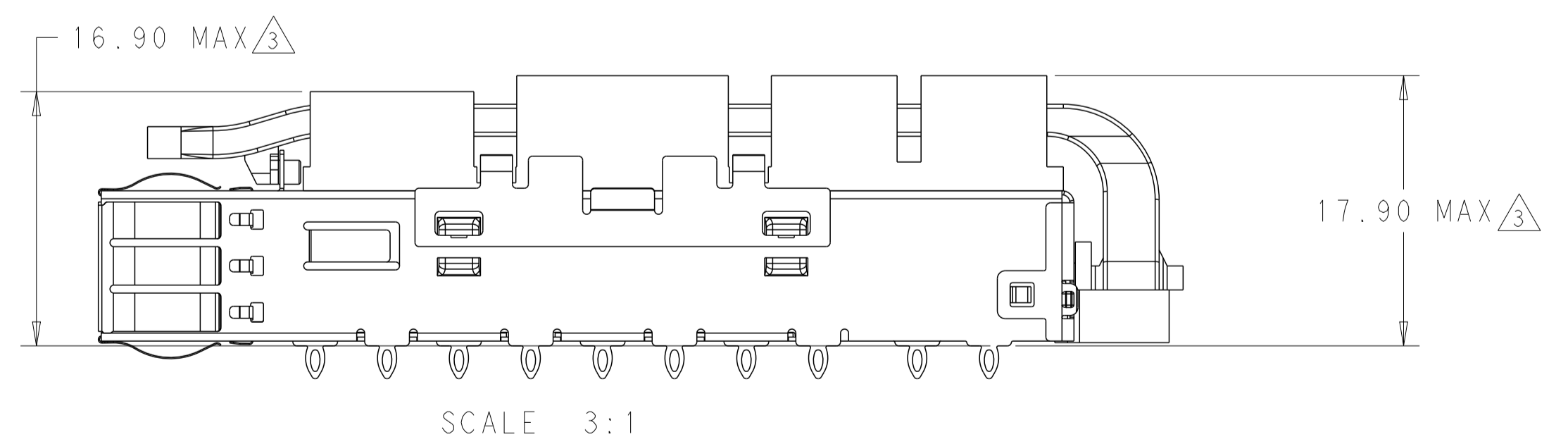
SCALE 3:1



1-2170705-2
 3D VIEW AS SHOWN



SCALE 3:1



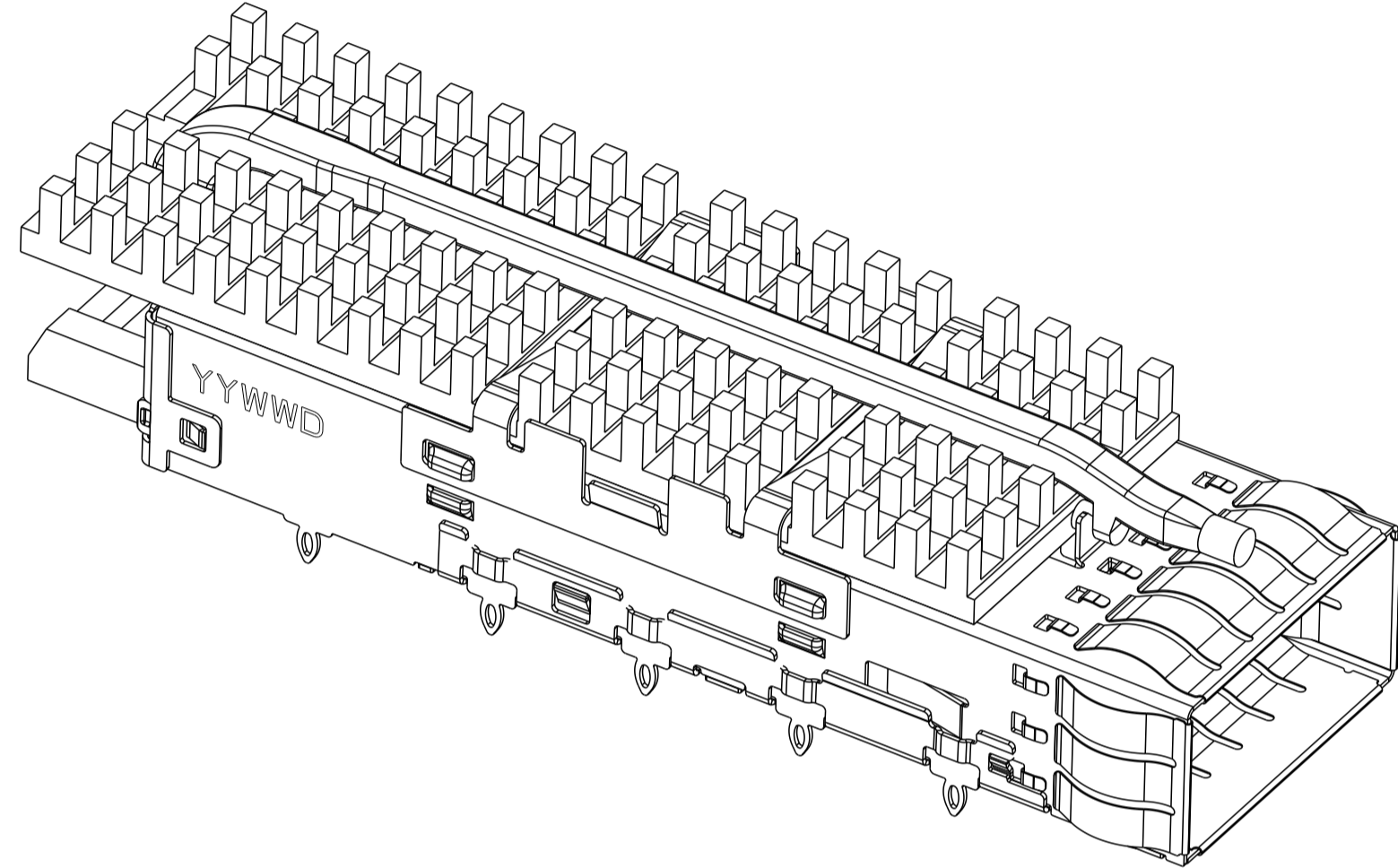
SCALE 3:1

THIS DRAWING IS A CONTROLLED DOCUMENT.		DMN JASON YANG CHK SEAN HAN	07MAR2014 26JAN2016	TE Connectivity
DIMENSIONS:		APVD		
mm	0 PLC ±0.25 1 PLC ±0.25 2 PLC ±0.25 3 PLC ±0.100 4 PLC ± ANGLES ±°	PRODUCT SPEC 108-19428 APPLICATION SPEC 114-32023		NAME CAGE ASSEMBLY, QSFP28, THRU BEZEL WITH EMI SPRING FINGER HEAT SINK, LIGHT PIPE
MATERIAL		WEIGHT		
		FINISH		SIZE A100779C=2170705
		CUSTOMER DRAWING		SCALE 2:1 SHEET 3 OF 9 REV D1

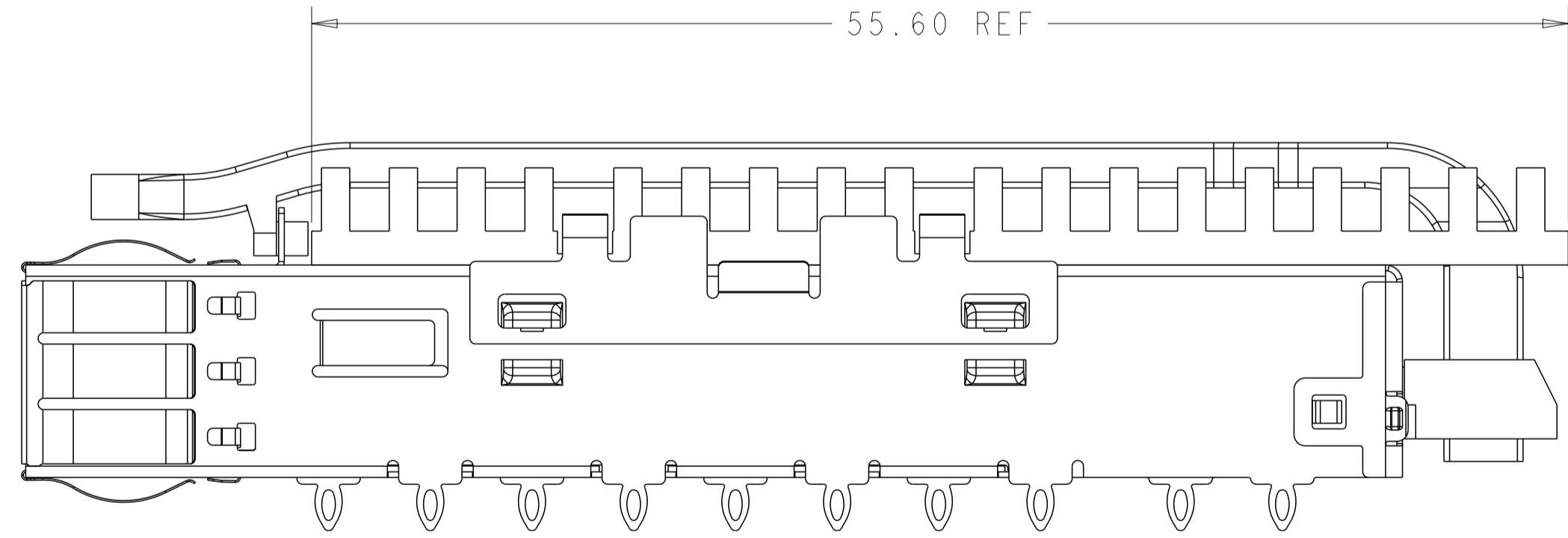
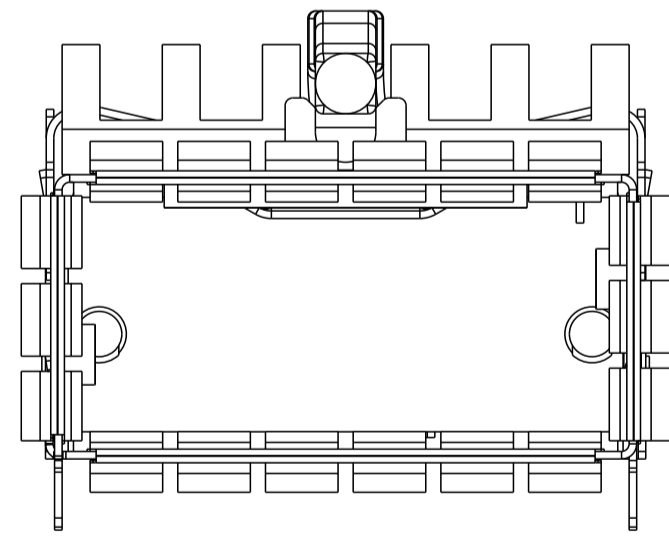
THIS DRAWING IS UNPUBLISHED. RELEASED FOR PUBLICATION
COPYRIGHT copyright dbt ALL RIGHTS RESERVED.

LOC		DIST		REVISIONS			
P	LTN	DESCRIPTION	DATE	DMN	APVD		

1-2170705-1
UNMARKED DIMENSIONS SAME AS 2170705-4



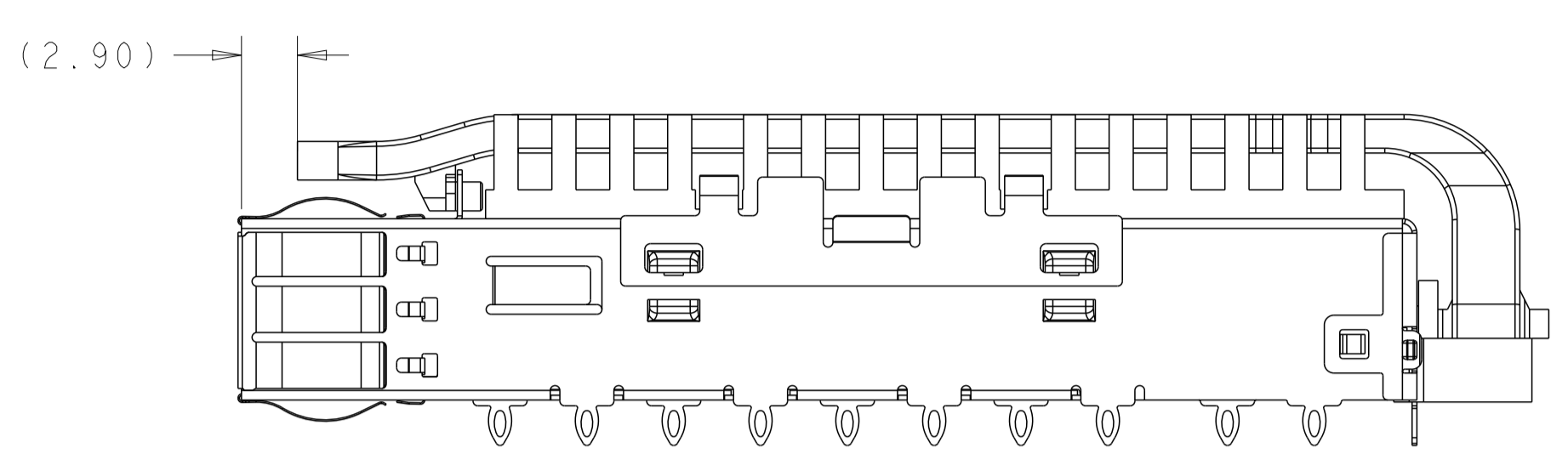
SCALE 3:1



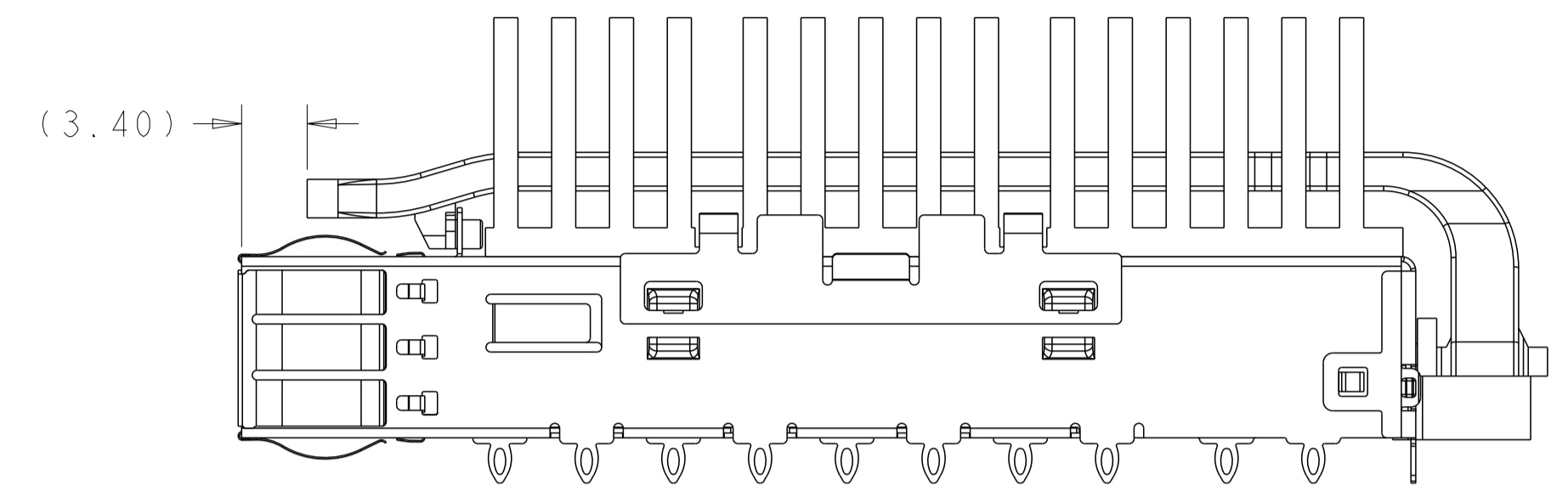
THIS DRAWING IS A CONTROLLED DOCUMENT.		DMN JASON YANG 07MAR2014	
		CHK SEAN HAN 26JAN2016	
DIMENSIONS:		NAME	
mm	0 PLC ±0.25 1 PLC ±0.25 2 PLC ±0.25 3 PLC ±0.100 4 PLC ± ANGLES ±°	CAGE ASSEMBLY, QSFP28, THRU BEZEL WITH EMI SPRING FINGER HEAT SINK, LIGHT PIPE	
TOLERANCES UNLESS OTHERWISE SPECIFIED:		PRODUCT SPEC	RESTRICTED TO
MATERIAL		108-19428	
		APPLICATION SPEC	
		114-32023	
		WEIGHT	
		FINISH	
		CUSTOMER DRAWING	
		SCALE 2:1	SHEET 4 OF 9
			REV D1

LOC		DIST		REVISIONS			
P	LTN	DESCRIPTION	DATE	DMN	APVD		
-	-	SEE SHEET 1	-	-	-		

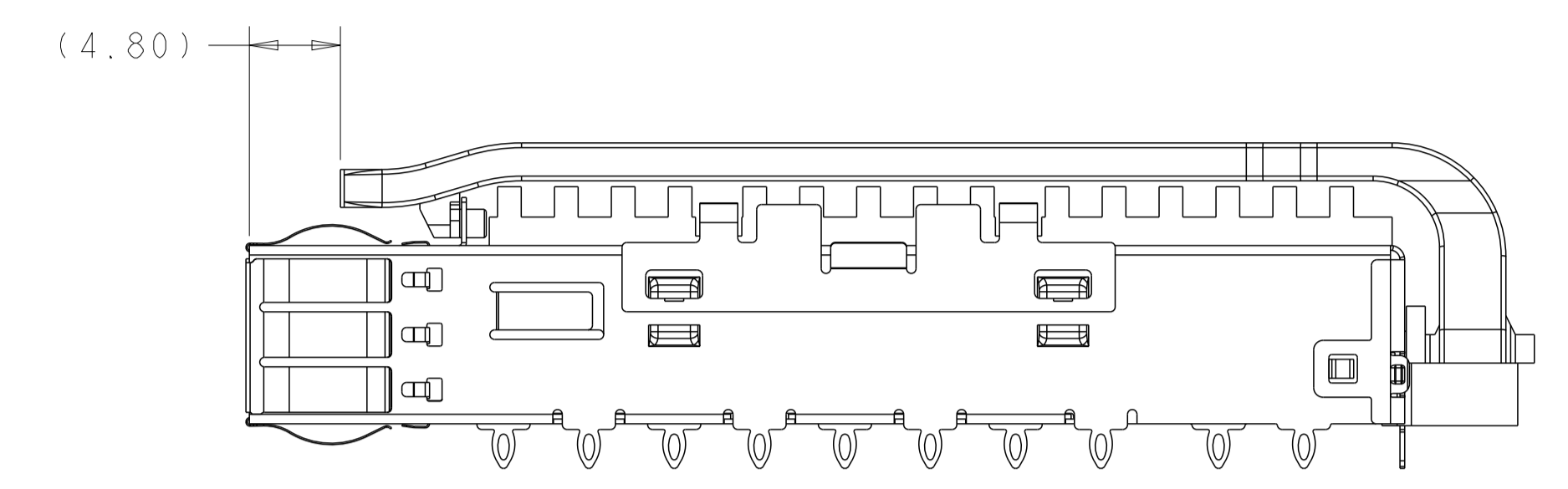
LIGHT PIPE LENGTH OPTIONS



WITH LIGHT PIPE LENGTH B=2.9
SCALE 3:1



WITH LIGHT PIPE LENGTH B=3.4
SCALE 3:1



WITH LIGHT PIPE LENGTH B=4.8
SCALE 3:1

BOM

4.8	0	16.00	PIN	SAN	DUAL LP	6-2170705-3
5.2	1	16.00	PIN	SAN	DUAL LP	6-2170705-2
4.8	2	13.7	PIN	PCI	QUAD LP	6-2170705-1
3.4	1	23.0	PIN	NETWORKING	QUAD LP	5-2170705-9
2.9	1	16.0	PIN	SAN	COATED QUAD LP	5-2170705-8
	1	13.7	PIN	PCI	COATED QUAD LP	5-2170705-7
	0	31.6	PIN	CUSTOMIZED	QUAD LP	5-2170705-1
	1	23.0	PIN	NETWORKING	QUAD LP	4-2170705-9
	1	16.0	PIN	SAN	QUAD LP	4-2170705-8
	1	13.7	PIN	PCI	QUAD LP	4-2170705-7
	0	23.0	PIN	NETWORKING	QUAD LP	4-2170705-6
	0	16.0	PIN	SAN	QUAD LP	4-2170705-5
	0	13.7	PIN	PCI	QUAD LP	4-2170705-4
	2	23.0	PIN	NETWORKING	QUAD LP	4-2170705-3
	2	16.0	PIN	SAN	QUAD LP	4-2170705-2
	2	13.7	PIN	PCI	QUAD LP	4-2170705-1
	0	17.9	FIN	NETWORKING	QUAD LP	1-2170705-2
	0	23.0	FIN	NETWORKING	DUAL LP	3-2170705-0
	1	23.0	PIN	NETWORKING	DUAL LP	2-2170705-9
	1	16.0	PIN	SAN	DUAL LP	2-2170705-8
	1	13.7	PIN	PCI	DUAL LP	2-2170705-7
	0	23.0	PIN	NETWORKING	DUAL LP	2-2170705-6
	0	16.0	PIN	SAN	DUAL LP	2-2170705-5
	0	13.7	PIN	PCI	DUAL LP	2-2170705-4
	2	23.0	PIN	NETWORKING	DUAL LP	2-2170705-3
	2	16.0	PIN	SAN	DUAL LP	2-2170705-2
	2	13.7	PIN	PCI	DUAL LP	2-2170705-1
	0	13.7	PIN	PCI	SINGLE LP	1-2170705-1
	1	23.0	PIN	NETWORKING	SINGLE LP(COATED)	1-2170705-0
	1	23.0	PIN	NETWORKING	SINGLE LP	2170705-9
	1	16.0	PIN	SAN	SINGLE LP	2170705-8
	1	13.7	PIN	PCI	SINGLE LP	2170705-7
0	23.0	PIN	NETWORKING	SINGLE LP	2170705-6	
0	16.0	PIN	SAN	SINGLE LP	2170705-5	
0	13.7	PIN	PCI	SINGLE LP	2170705-4	
2	23.0	PIN	NETWORKING	SINGLE LP	2170705-3	
2	16.0	PIN	SAN	SINGLE LP	2170705-2	
2	13.7	PIN	PCI	SINGLE LP	2170705-1	
DIM B	# REAR PINS	DIM A	HEAT SINK TYPE	APPLICATION (HEAT SINK OPTION)	LIGHT PIPE OPTION	PART NUMBER

THIS DRAWING IS A CONTROLLED DOCUMENT.

DMN: JASON YANG 07MAR2014
 CHK: SEAN HAN 26JAN2016

APVD: SEAN HAN

PRODUCT SPEC: 108-19428
 APPLICATION SPEC: 114-32023

NAME: CAGE ASSEMBLY, QSP28, THRU BEZEL WITH EMI SPRING FINGER HEAT SINK, LIGHT PIPE

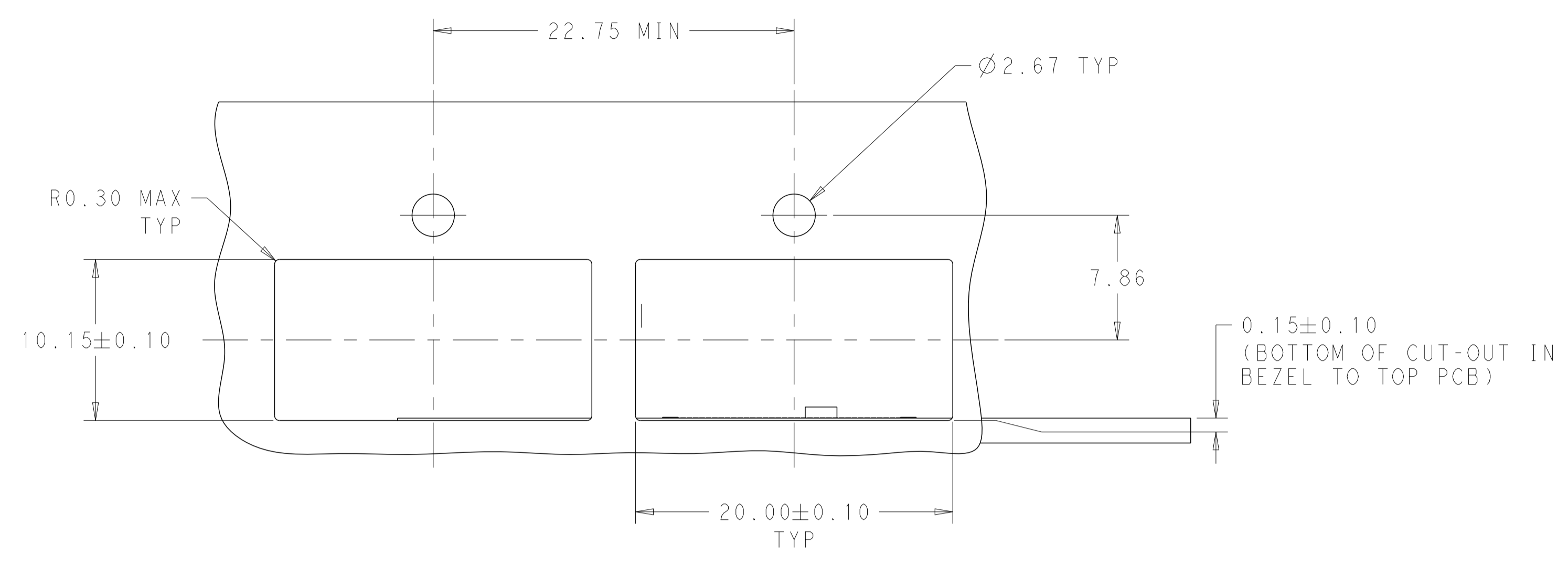
SIZE: A1 CAGE CODE: 100779 DRAWING NO: C=2170705

RESTRICTED TO: -

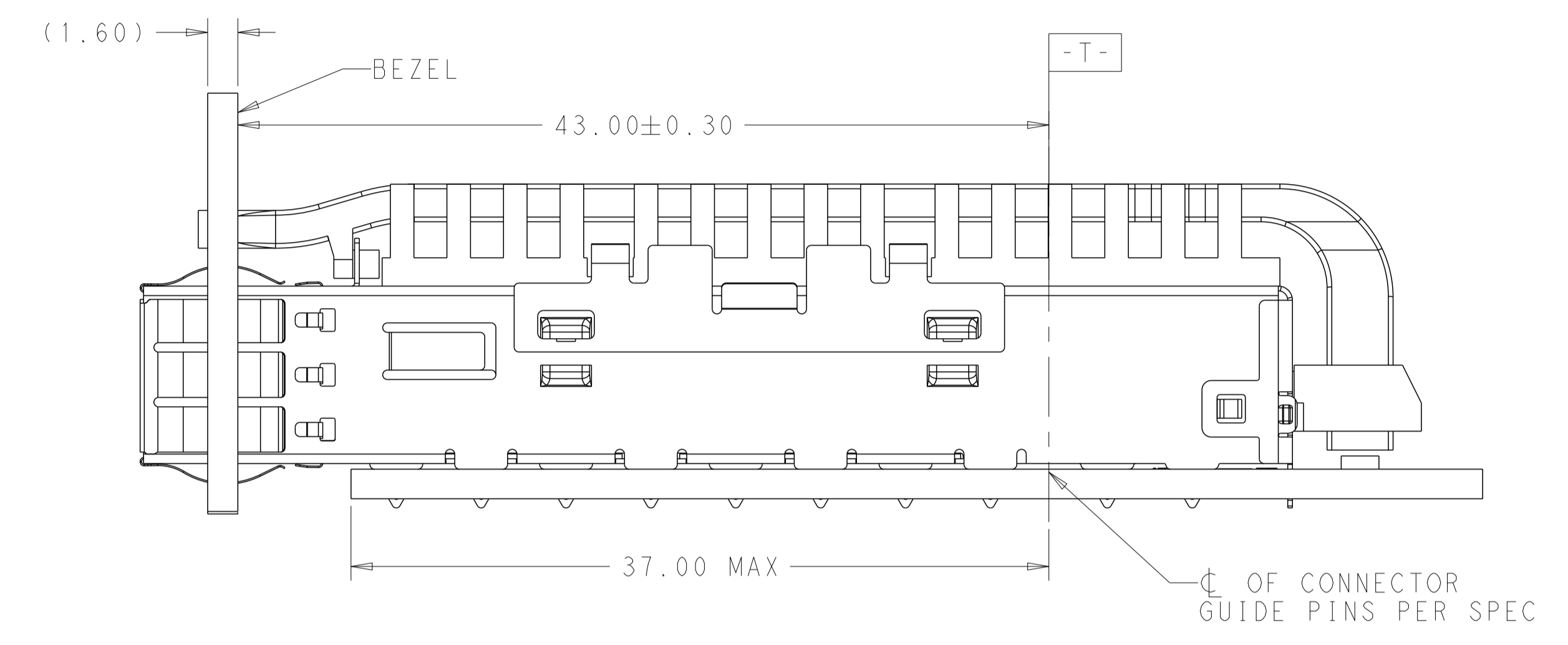
MATERIAL: - FINISH: - WEIGHT: -

CUSTOMER DRAWING SCALE: 2:1 SHEET: 5 OF 9 REV: D1

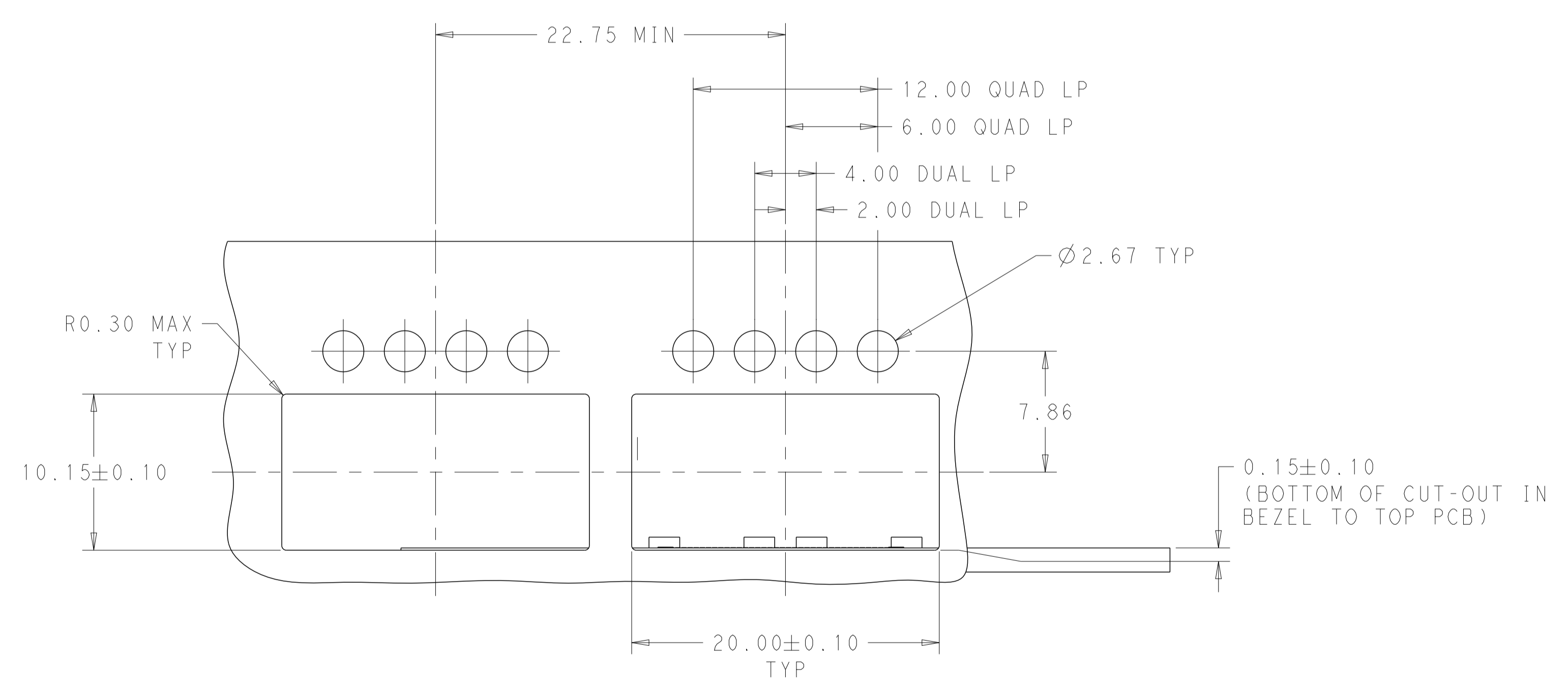
LOC	DIST	REV	DATE	BY	CHK	APPV
-	-	1	SEE SHEET 1	-	-	-



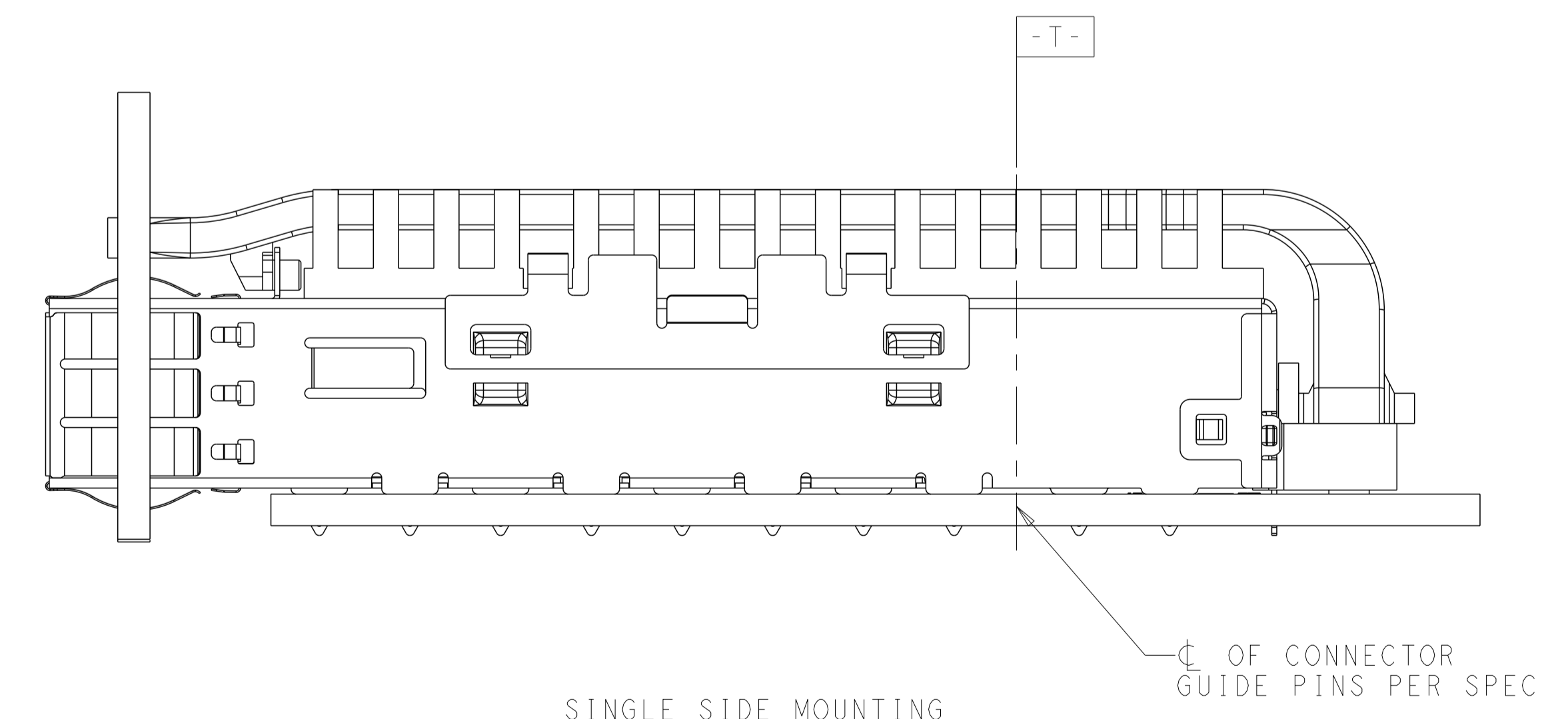
SINGLE LIGHT PIPE TYPE



SINGLE SIDE MOUNTING SCALE 4:1



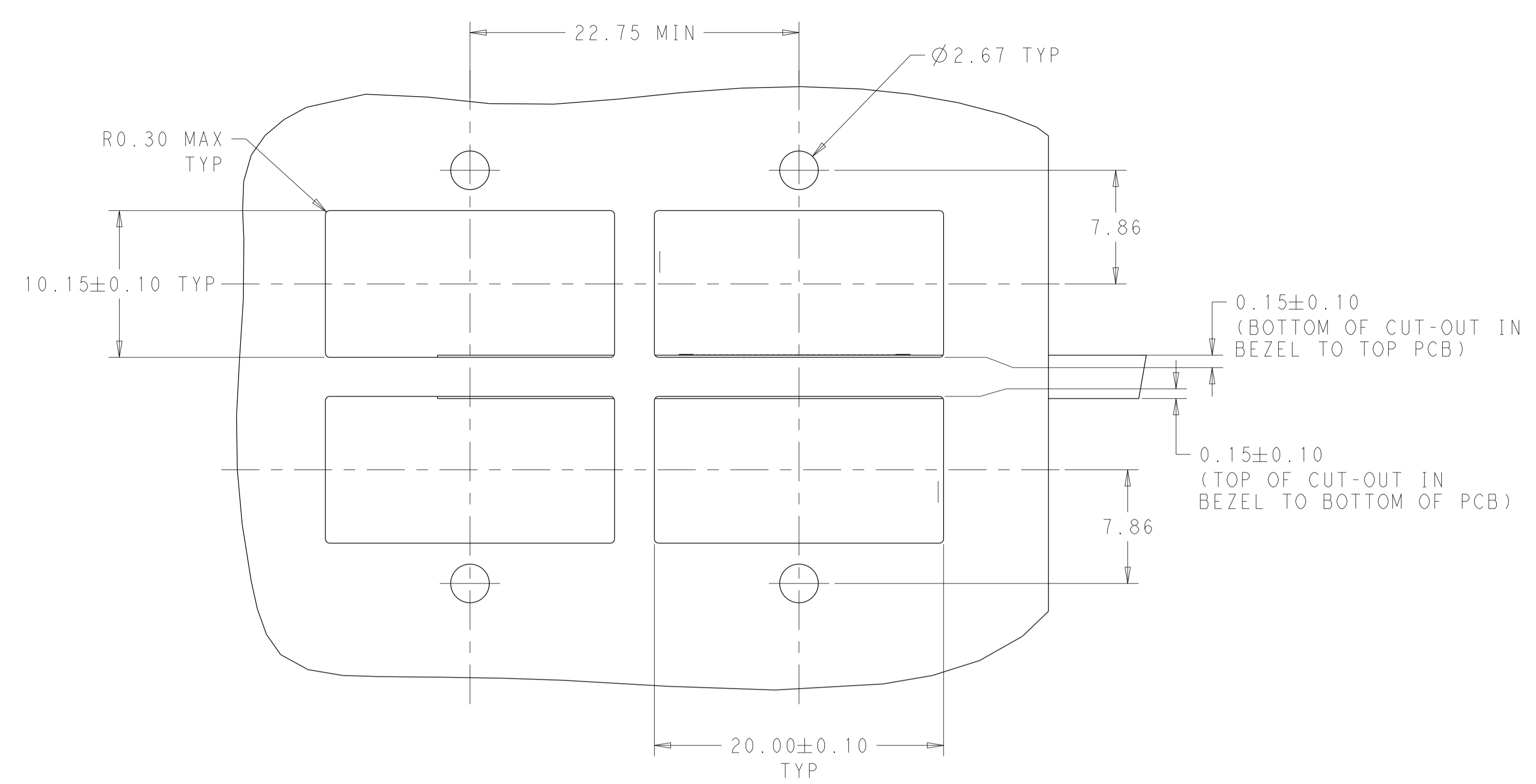
DUAL/QUAD LIGHT PIPE TYPE



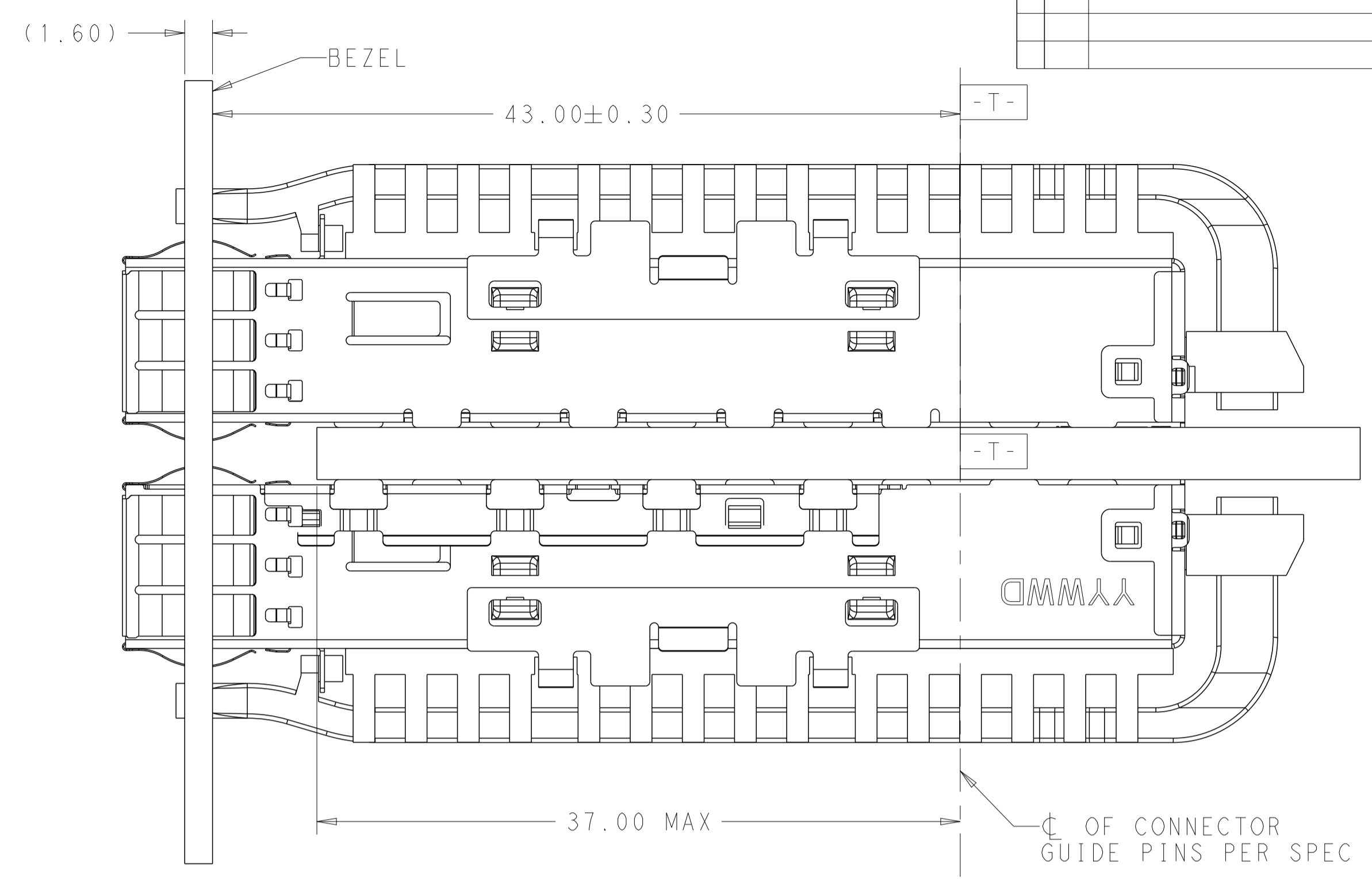
SINGLE SIDE MOUNTING SCALE 4:1

THIS DRAWING IS A CONTROLLED DOCUMENT.		OWN: JASON YANG 07MAR2014	TE Connectivity
DIMENSIONS: mm		CHK: SEAN HAN 26JAN2016	
TOLERANCES UNLESS OTHERWISE SPECIFIED:		APVD:	NAME: CAGE ASSEMBLY, QSFP28, THRU BEZEL WITH EMI SPRING FINGER HEAT SINK, LIGHT PIPE
0 PLC ±0.25		PRODUCT SPEC: 108-19428	SIZE: A1
1 PLC ±0.25		APPLICATION SPEC: 114-32023	CAGE CODE: 00779
2 PLC ±0.20		WEIGHT: -	DRAWING NO: C=2170705
3 PLC ±0.100		CUSTOMER DRAWING	SCALE: 2:1
4 PLC ±		RESTRICTED TO: -	SHEET: 6 OF 9
ANGLES FINISH: -		REV: D1	

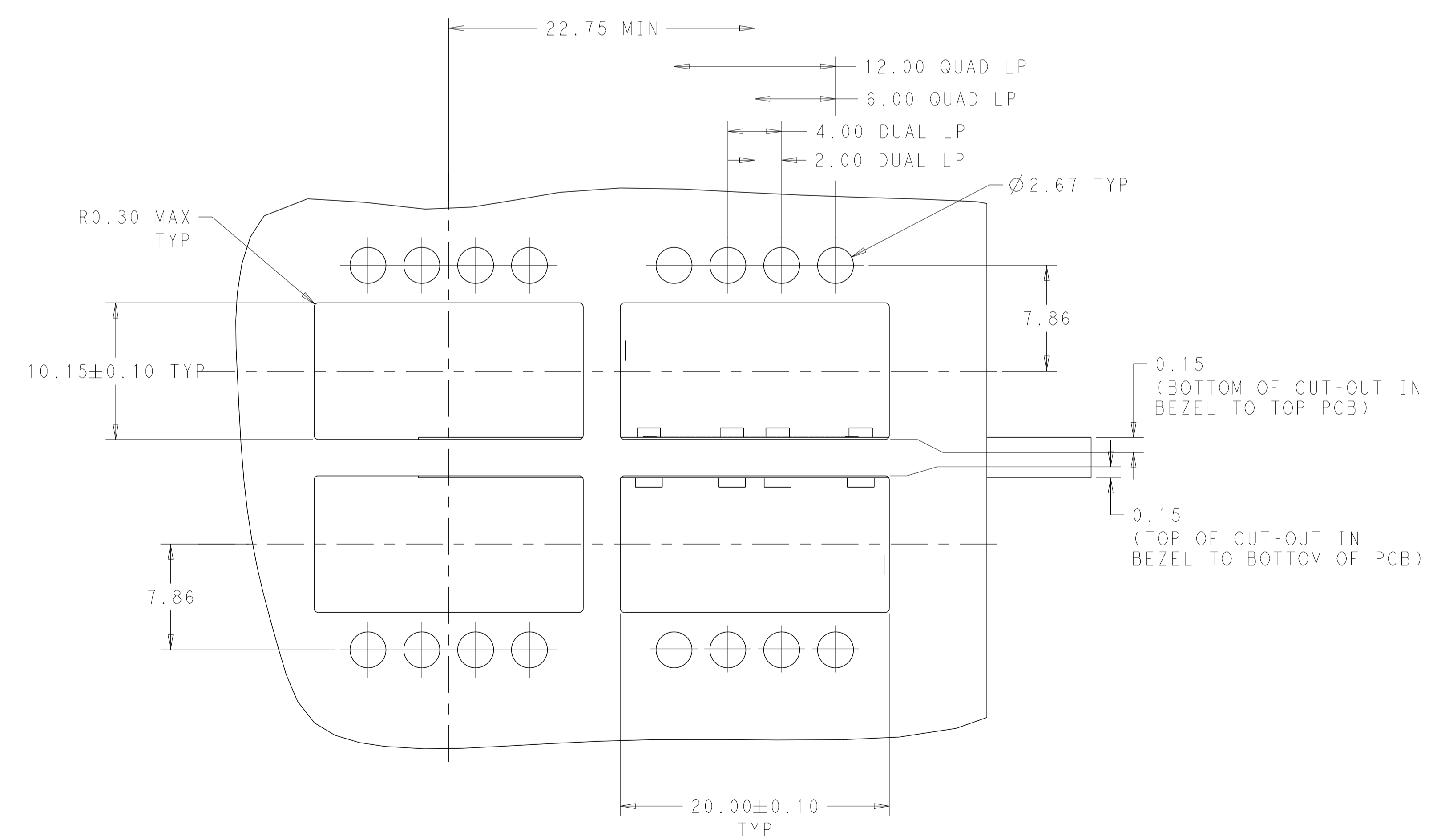
LOC		DIST		REVISIONS		
P	LTN	DESCRIPTION	DATE	DMN	APVD	
-	-	SEE SHEET 1	-	-	-	-



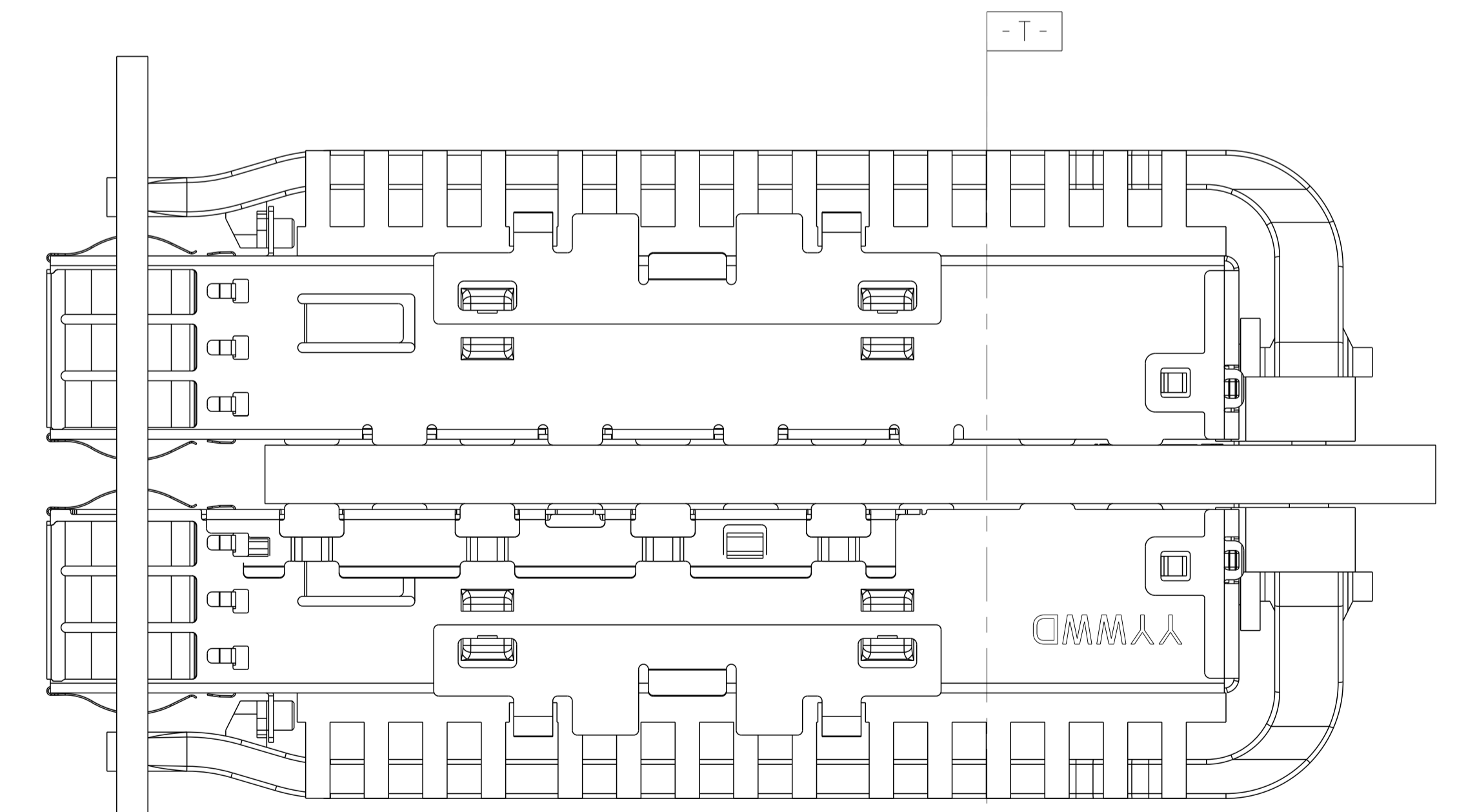
SINGLE LIGHT PIPE TYPE



BELLY TO BELLY MOUNTING SCALE 4:1



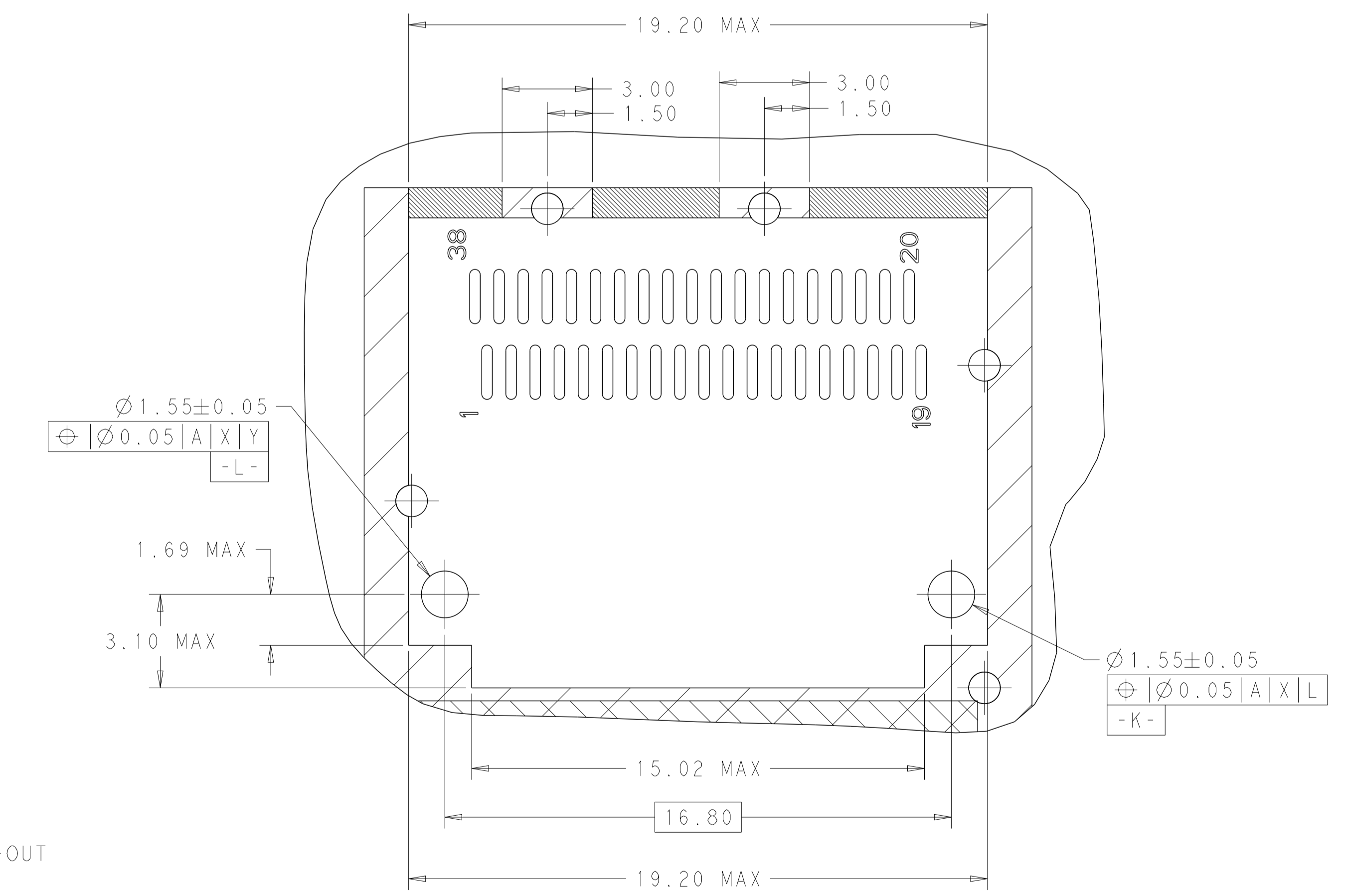
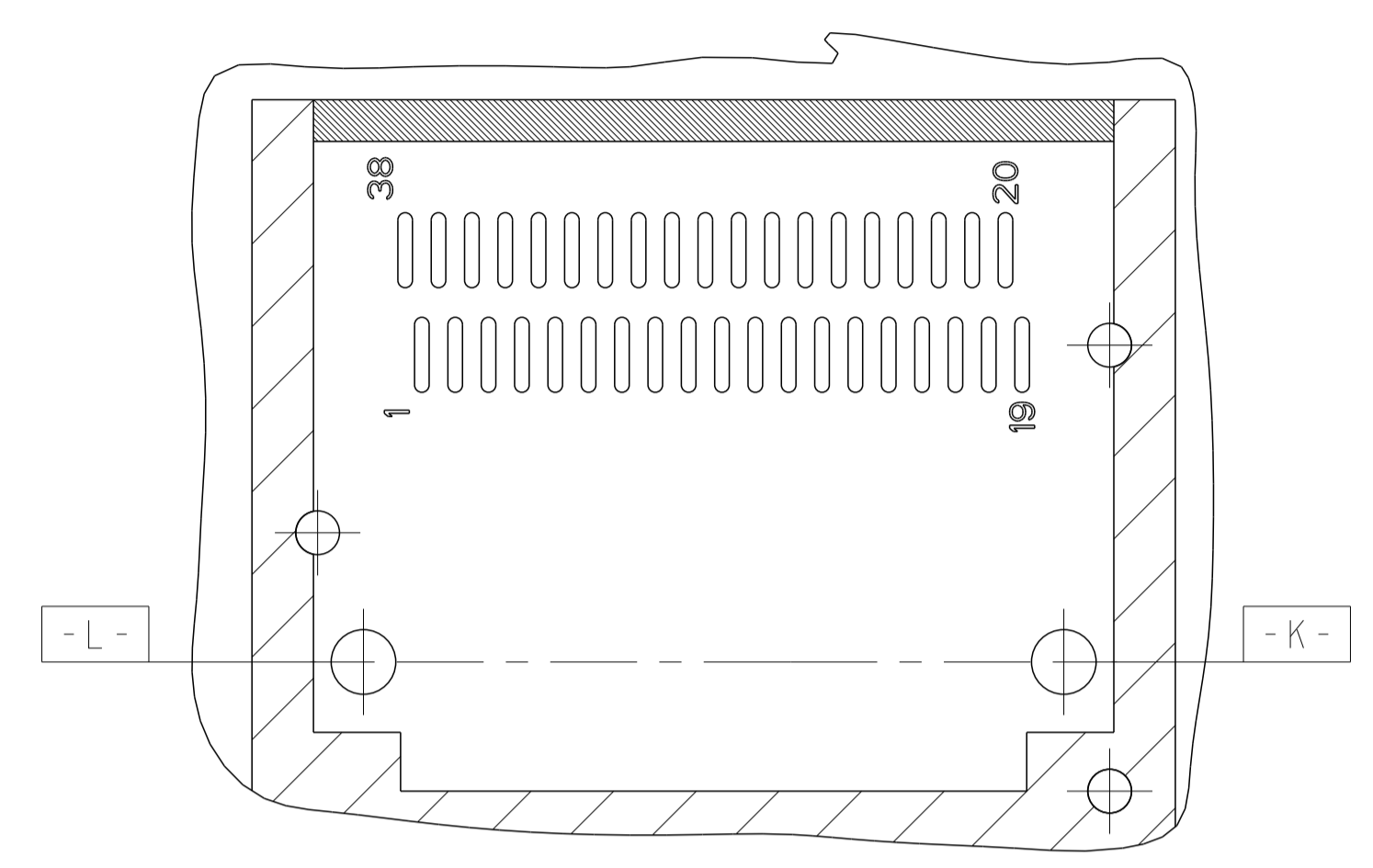
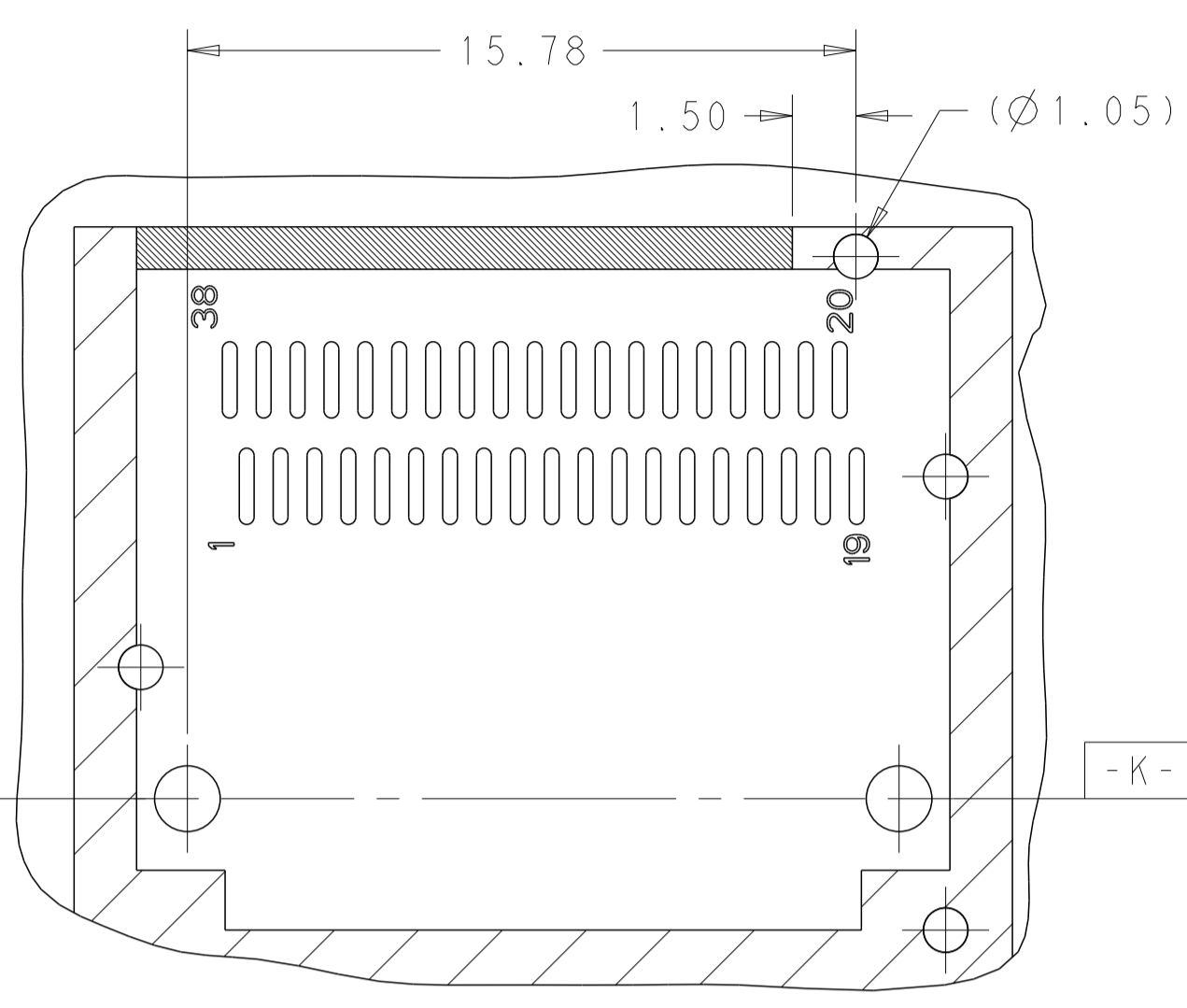
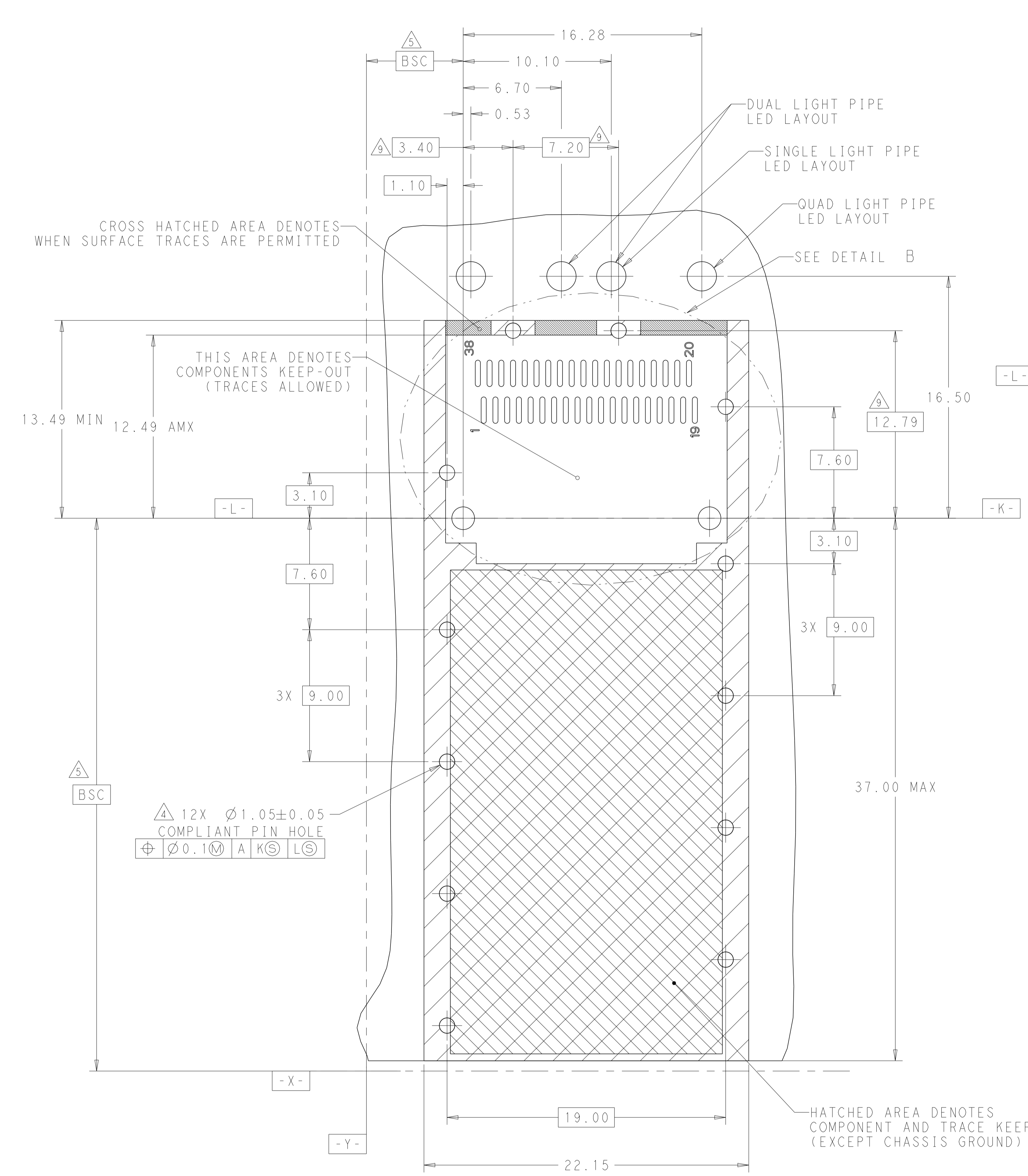
DUAL/QUAD LIGHT PIPE TYPE



BELLY TO BELLY MOUNTING SCALE 4:1

THIS DRAWING IS A CONTROLLED DOCUMENT.		DMN: JASON YANG 07MAR2014	TE Connectivity
DIMENSIONS: mm		CHK: SEAN HAN 26JAN2016	
TOLERANCES UNLESS OTHERWISE SPECIFIED:		APVD:	NAME: CAGE ASSEMBLY, QSPF28, THRU BEZEL WITH EMI SPRING FINGER HEAT SINK, LIGHT PIPE
0 PLC	±0.25	PRODUCT SPEC	108-19428
1 PLC	±0.25	APPLICATION SPEC	114-32023
2 PLC	±0.25	SIZE	A100779
3 PLC	±0.25	CAGE CODE	C=2170705
4 PLC	±0.100	WEIGHT	
ANGLES	±°	CUSTOMER DRAWING	SCALE 2:1 SHEET 7 OF 9 REV D1
MATERIAL	FINISH		

LOC	DIST	REV	DATE	BY	APPD
-	-	1	26 JAN 2016	SEAN HAN	

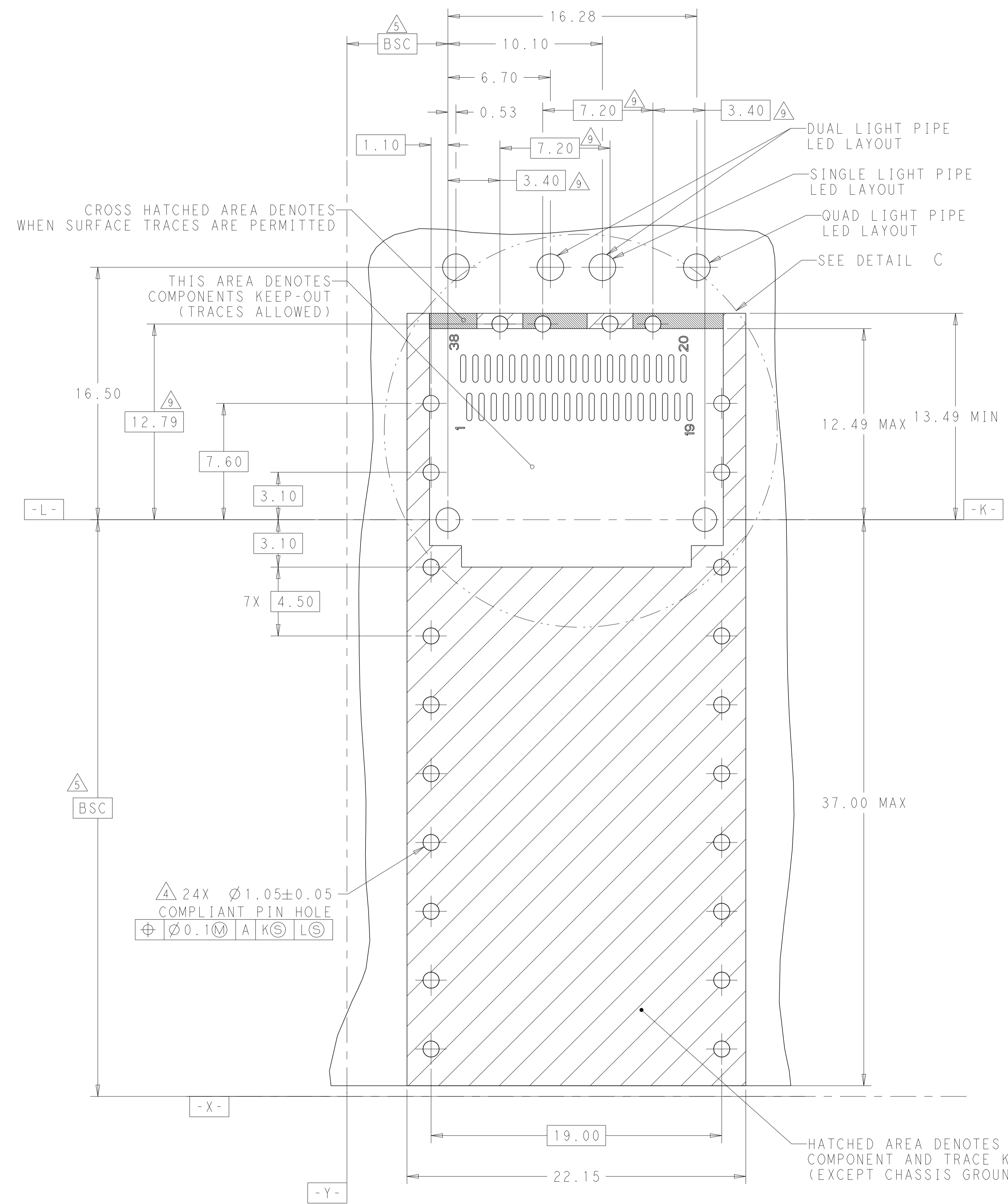


RECOMMENDED PCB LAYOUT
SINGLE TYPE OF 2 REAR HOLES OF LEGS
PCB TOLERANCE: ±0.05
SCALE 6:1

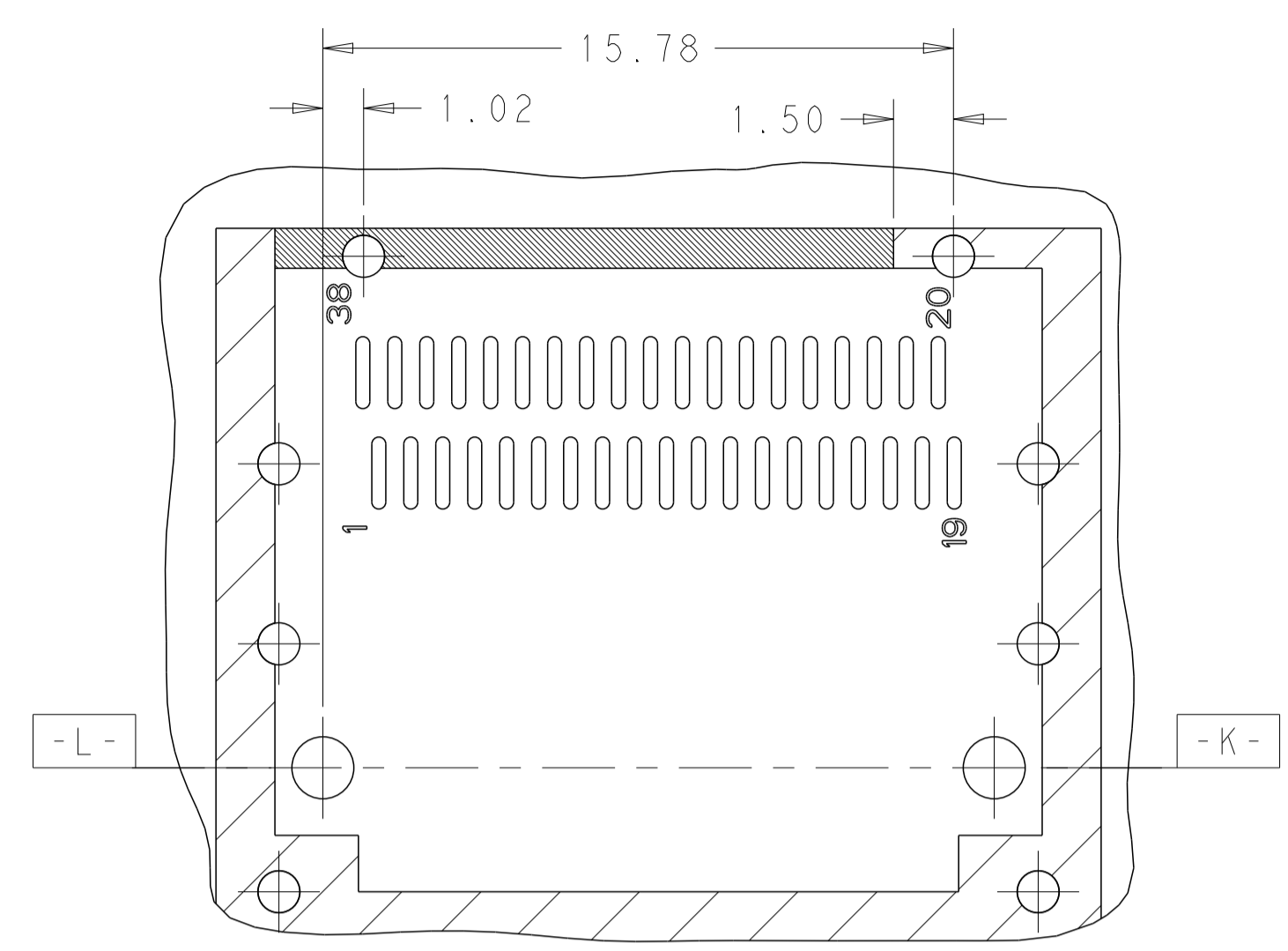
12X Ø1.05±0.05
COMPLIANT PIN HOLE
Ø0.1 | M | A | K | S | L | S

THIS DRAWING IS A CONTROLLED DOCUMENT.		OWN: JASON YANG 07MAR2014	TE Connectivity
DIMENSIONS: mm		CHK: SEAN HAN 26JAN2016	
TOLERANCES UNLESS OTHERWISE SPECIFIED:		APVD:	NAME:
0 PLC	±0.25	PRODUCT SPEC:	CAGE ASSEMBLY, QSFP28, THRU BEZEL
1 PLC	±0.25	APPLICATION SPEC:	WITH EMI SPRING FINGER
2 PLC	±0.20	SIZE:	HEAT SINK, LIGHT PIPE
3 PLC	±0.100	114-32023	RESTRICTED TO:
4 PLC	±	WEIGHT:	A100779C=2170705
ANGLES:	±	CUSTOMER DRAWING	SCALE 2:1 SHEET 8 OF 9 REV D1

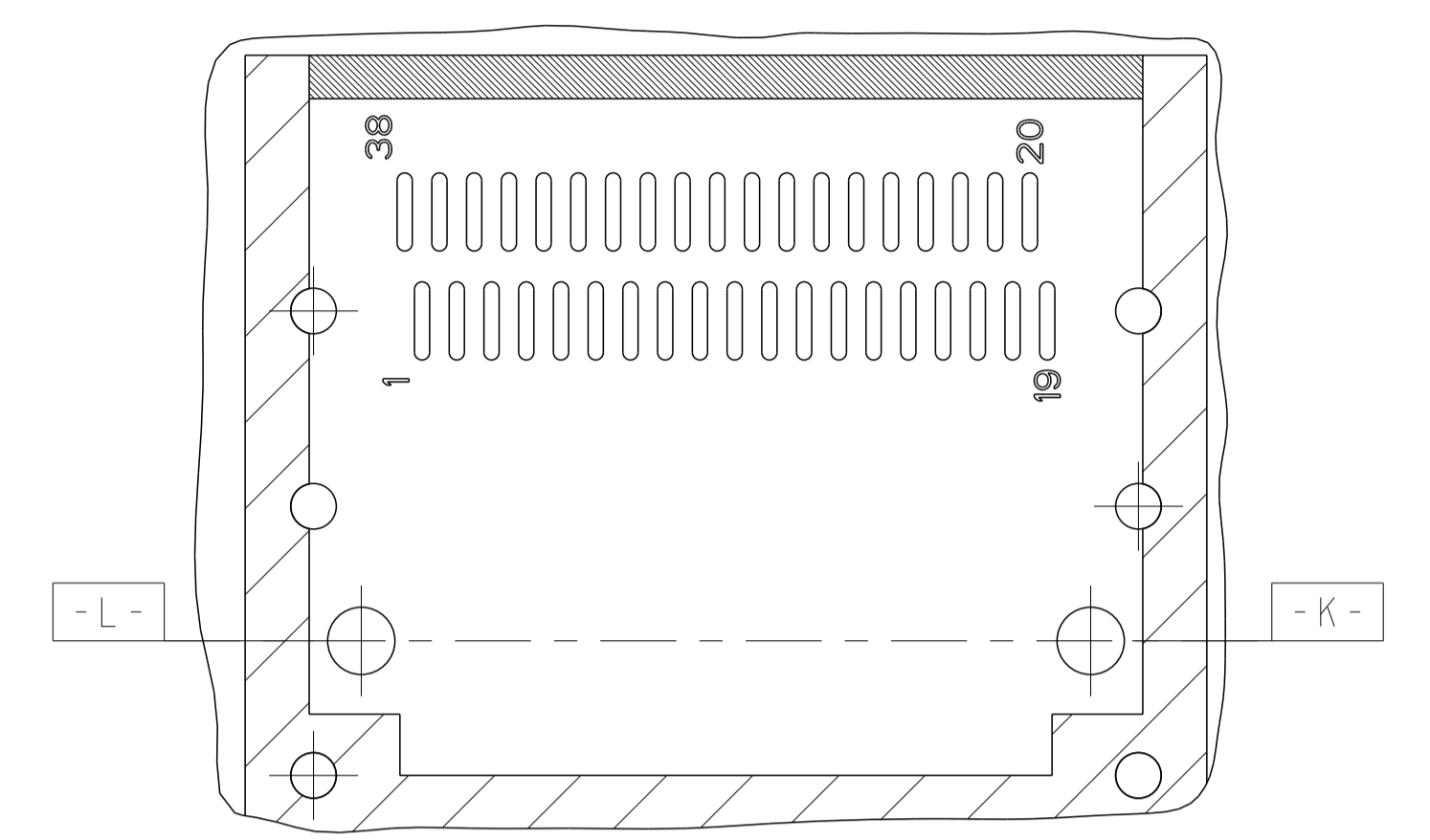
LOC	DIST	REV	DATE	BY	APPV
-	-	1	SEE SHEET 1	-	-



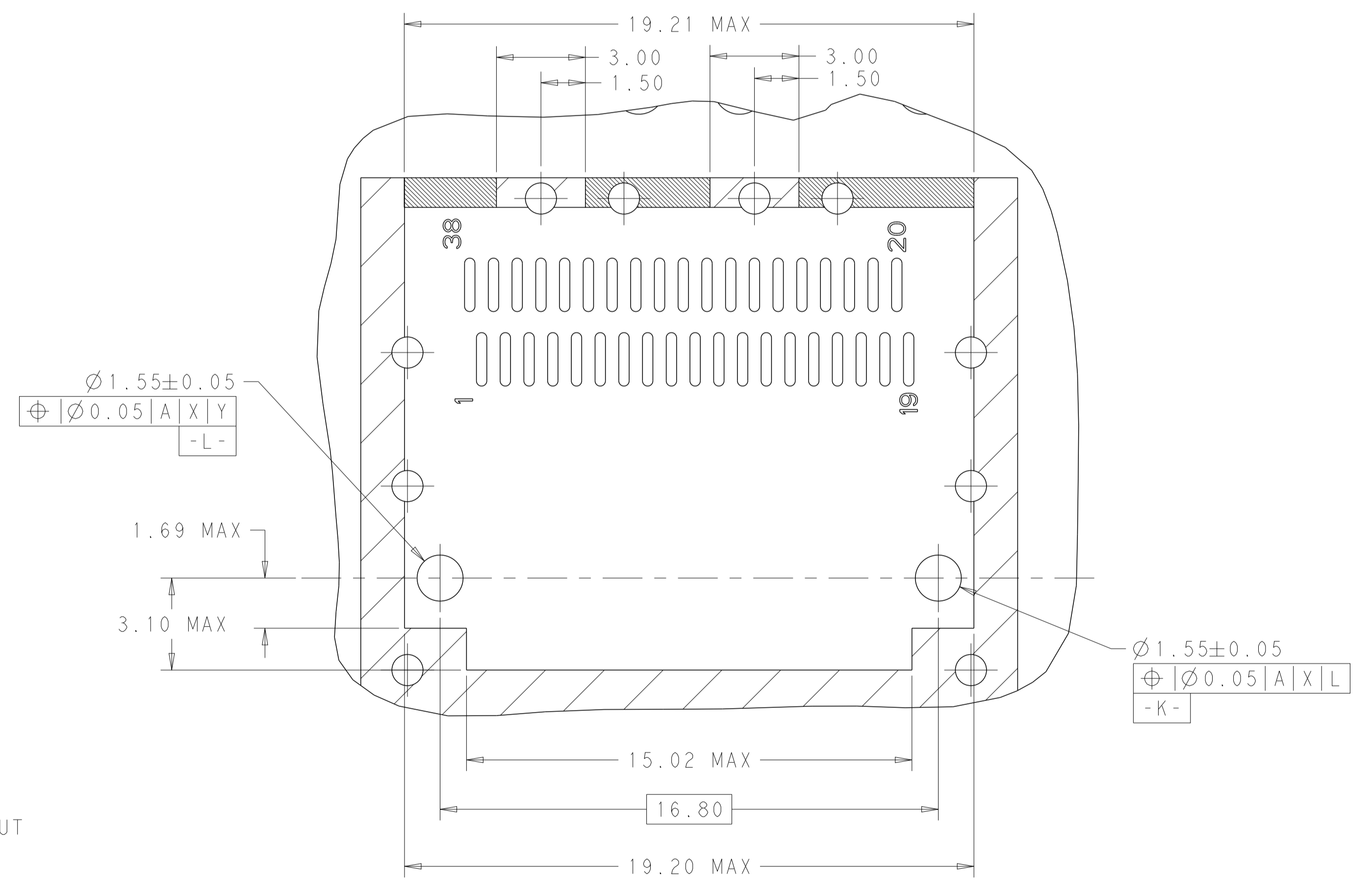
RECOMMENDED PCB LAYOUT
 BELLY TO BELLY TYPE OF 2 REAR HOLES OF LEGS
 PCB TOLERANCE: ±0.05
 SCALE 6:1



RECOMMENDED PCB LAYOUT
 BELLY TO BELLY TYPE OF 1 REAR HOLES OF LEGS
 PCB TOLERANCE: ±0.05
 SCALE 6:1



RECOMMENDED PCB LAYOUT
 BELLY TO BELLY TYPE OF 0 REAR HOLES OF LEGS
 PCB TOLERANCE: ±0.05
 SCALE 6:1



DETAIL C
 SCALE 8:1

THIS DRAWING IS A CONTROLLED DOCUMENT.		OWN: JASON YANG 07MAR2014	TE Connectivity
DIMENSIONS: mm		CHK: SEAN HAN 26JAN2016	
TOLERANCES UNLESS OTHERWISE SPECIFIED:		APVD:	NAME: CAGE ASSEMBLY, QSFP28, THRU BEZEL WITH EMI SPRING FINGER HEAT SINK, LIGHT PIPE
0 PLC	±0.25	PRODUCT SPEC	108-19428
1 PLC	±0.25	APPLICATION SPEC	114-32023
2 PLC	±0.20	SIZE	A100779
3 PLC	±0.20	CAGE CODE	C=2170705
4 PLC	±0.100	RESTRICTED TO	
ANGLES	±°	WEIGHT	
FINISH	±"	CUSTOMER DRAWING	
MATERIAL:		SCALE	2:1
		SHEET	9 of 9
		REV	D1

X-ON Electronics

Largest Supplier of Electrical and Electronic Components

Click to view similar products for [I/O Connectors](#) category:

Click to view products by [TE Connectivity](#) manufacturer:

Other Similar products are found below :

[571763P](#) [D20419-211](#) [72.250.1628.2](#) [72.250.2428.2](#) [74720-0505](#) [76.350.0729.0](#) [76871-1403](#) [FCN-244F080-G/1](#) [FCN-260A9920](#) [MP-5T180MUNNA-005](#) [PCR-E36PM](#) [PCS-XE26MA+](#) [G38A71314B](#) [1571250010](#) [157-22500-3](#) [MS3471L14-19P L/C](#) [172501-4002](#) [172501-6002](#) [FCN-260C008-A/L0](#) [FCN-260C024-AL0](#) [FCN-261Z008](#) [2000314-1](#) [200331-1](#) [PCR-E36FC+](#) [PCS-E28FS+](#) [PCS-XE26SLFD+](#) [PCS-XE26SLFDT+](#) [G730VID08BDC24](#) [HDMR-29-01-S-SM-TR](#) [U90B2054081210](#) [UE86K842720321](#) [38113800006](#) [DP3AR020WQ1R200](#) [Z4.102.0680.0](#) [500-1040](#) [500-1052](#) [500-1054](#) [ZP-4008-66L](#) [0709821002](#) [5554841-1](#) [U90B3054061110](#) [U65-E04-4020](#) [ZPF00000000097891](#) [557-262M2-06C](#) [747360449](#) [10099439-003C-TRLF](#) [10137239-0021LF](#) [E9320-001-01](#) [10137239-0011LF](#) [70289-001LF](#)