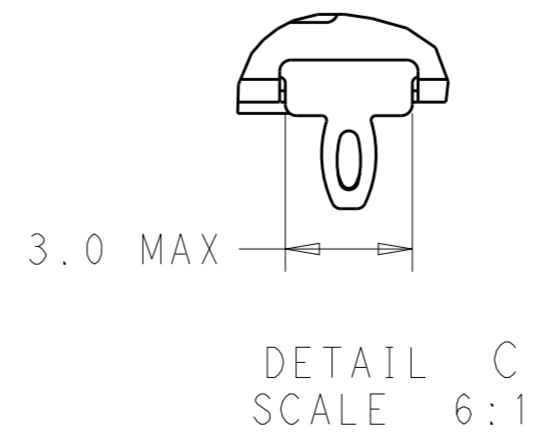
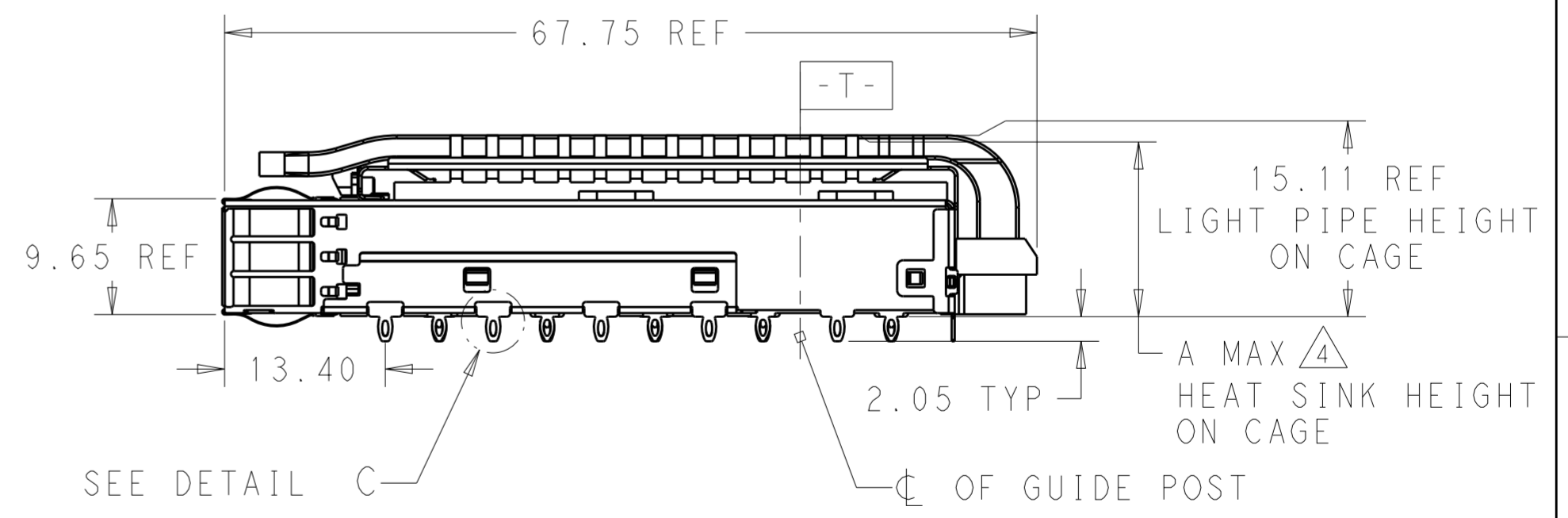
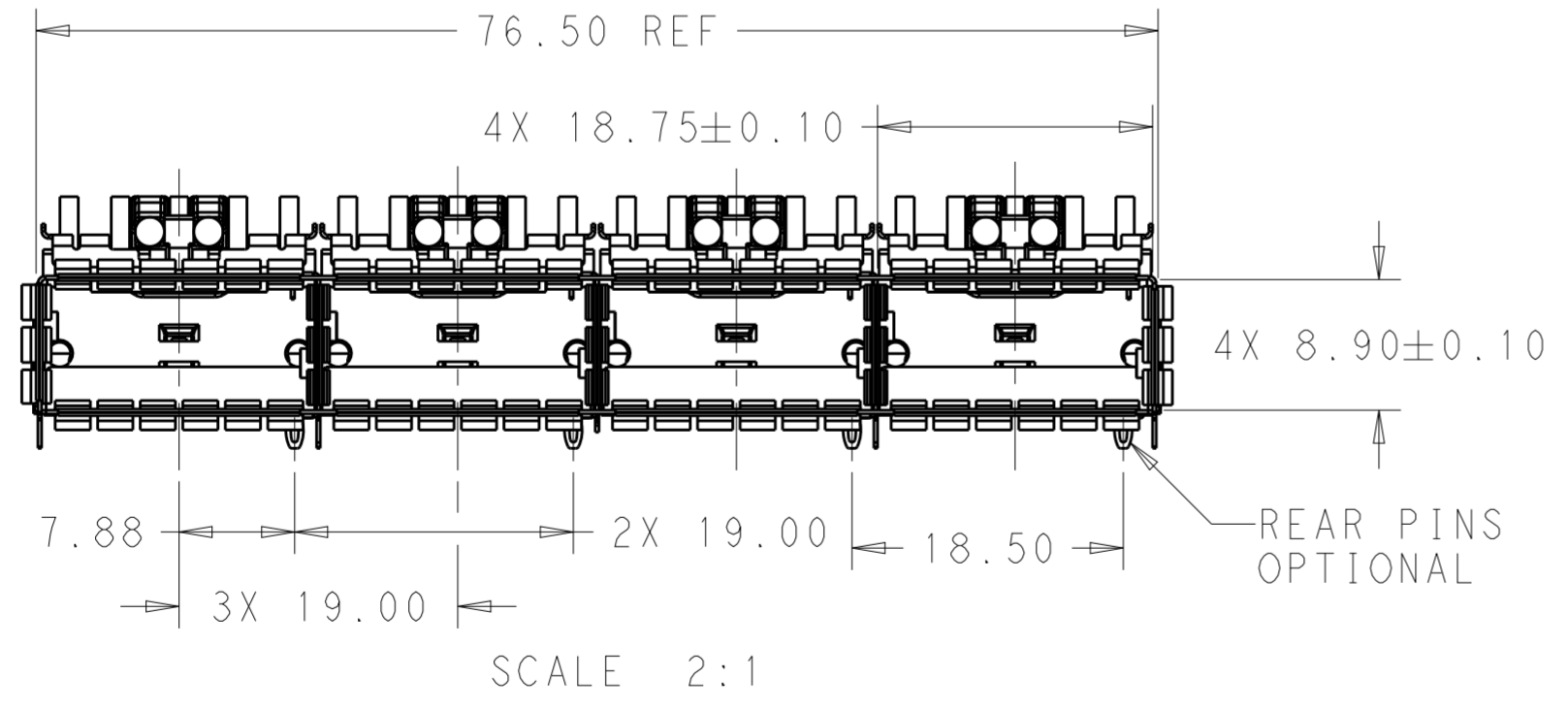
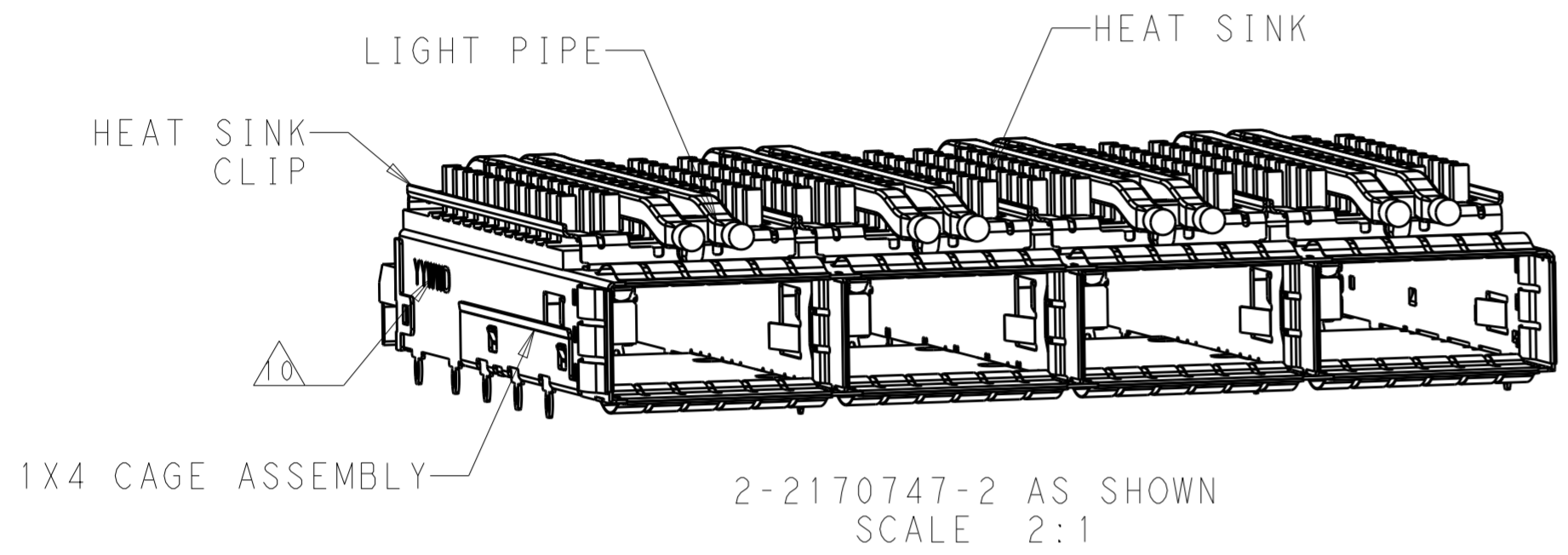


THIS DRAWING IS UNPUBLISHED. RELEASED FOR PUBLICATION 20
 © COPYRIGHT 20 BY - ALL RIGHTS RESERVED.

REVISIONS					
P	LTR	DESCRIPTION	DATE	DWN	APVD
A		RELEASE	31OCT2016	JY	SH
B		REVISED PER ECO-17-009888	07JUL2017	JY	SH
C		REVISED PER ECO-18-012273	10JUL2018	JY	SH

2-2170747-2 AS SHOWN

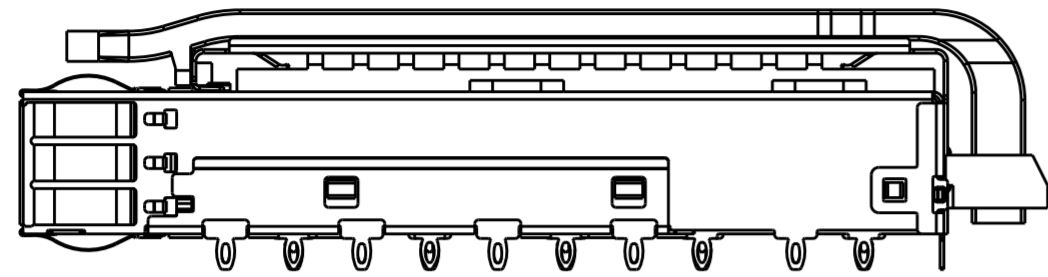
1. COMPONENTS
 CAGE ASSEMBLY: NICKEL-SILVER ALLOY
 HEAT SINK: ALUMINUM/BLACK ANODIZE
 HEAT SINK CLIP: STAINLESS STEEL
 EMI SPRING: COPPER ALLOY/NICKEL PLATE
 LIGHT PIPE: CLEAR POLYCARBONATE
 ORGANIZER: POLYESTER WITH UL 94 V-0
2. REFERENCE APPLICATION SPECIFICATION 114-23023 FOR RECOMMENDED DRILL HOLE DIAMETER AND PLATING THICKNESS
3. DATUM AND BASIC DIMENSION ESTABLISHED BY CUSTOMER
4. DIMENSION OF HEAT SINK APPLIES WITH MODULE INSERTED IN CAGE.
5. HEAT SINKS, HEAT SINK CLIPS AND LIGHT PIPES ARE SHIPPED ASSEMBLED ON CAGE
6. MINIMUM PC BOARD THICKNESS: SINGLE SIDED: 1.57 MIN
 DOUBLE SIDED: 2.20 MIN
7. DATUM **-A-** IS TOP SURFACE OF THE HOST BOARD.
8. THESE HOLES ARE OPTIONAL WHEN THE REAR PINS ARE REMOVED.
9. MATES WITH QSFP28 MSA COMPATIBLE TRANSCEIVER.
10. DATE CODE (YYWWD) MARKED APPROXIMATELY AS SHOWN.
11. NOTED DIMENSIONS ONLY APPLY TO CAGE ASSEMBLY WITH LIGHT PIPE.
12. THE CUSTOMIZED HEAT SINK HAVE NO SURFACE FINISH ONLY FOR 2170747-7/-8/-9.
13. CAGE ASSEMBLY WITH HS AND LIGHT PIPE ARE UNASSEMBLED, AND PACKAGED INDIVIDUALLY IN TRAYS. ONLY APPLICABLE TO 2170747-7.



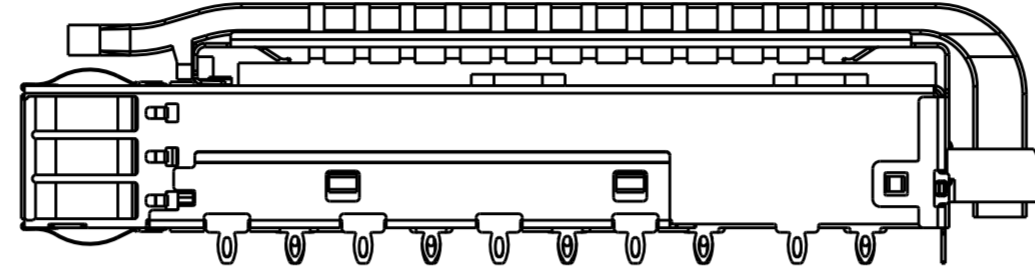
THIS DRAWING IS A CONTROLLED DOCUMENT.		DWN JASON YANG 04JUN2014	TE Connectivity	
		CHK SEAN HAN 07JUN2014		
DIMENSIONS: mm	TOLERANCES UNLESS OTHERWISE SPECIFIED:	APVD -	NAME RECEPTACLE CAGE ASSEMBLY WITH HEAT SINKS AND LIGHT PIPES, THRU BEZEL, 1X4, QSFP28, SPRING	RESTRICTED TO
0 PLC ±	1 PLC ±0.25	PRODUCT SPEC 108-19428	SIZE A200779	OF 13
2 PLC ±0.2	3 PLC ±	APPLICATION SPEC 114-32023	DRAWING NO C-2170747	REV C
4 PLC ±	ANGLES ±	WEIGHT -	SCALE 1:1	
MATERIAL SEE NOTES	FINISH SEE NOTES	CUSTOMER DRAWING	SHEET 1 OF 13	

REVISIONS				
P	LTR	DESCRIPTION	DATE	APVD
-		SEE SHEET 1	-	-

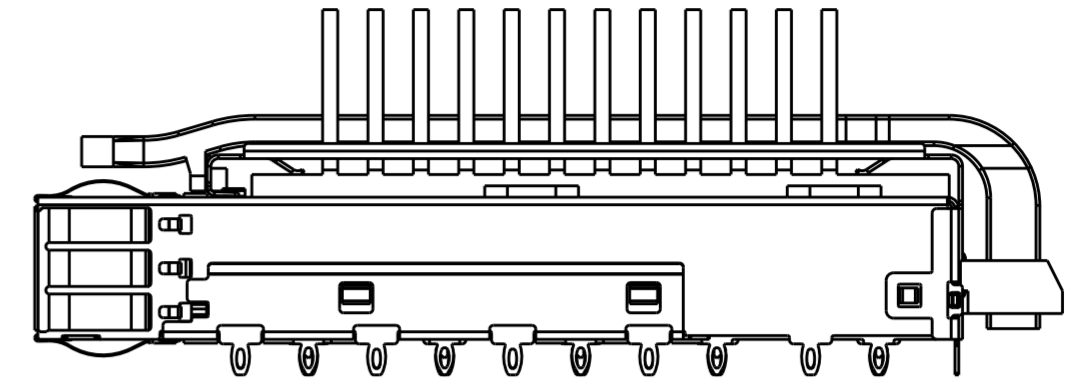
HEAT SINK OPTION



PCI HEAT SINK
SCALE 2:1

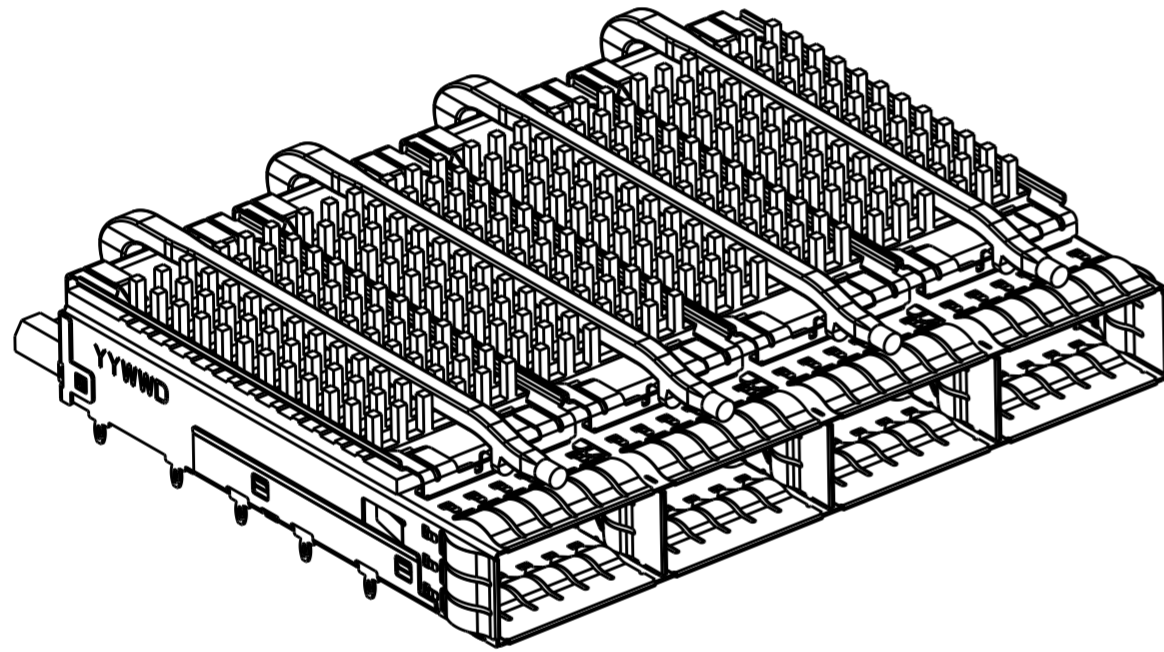


SAN HEAT SINK
SCALE 2:1

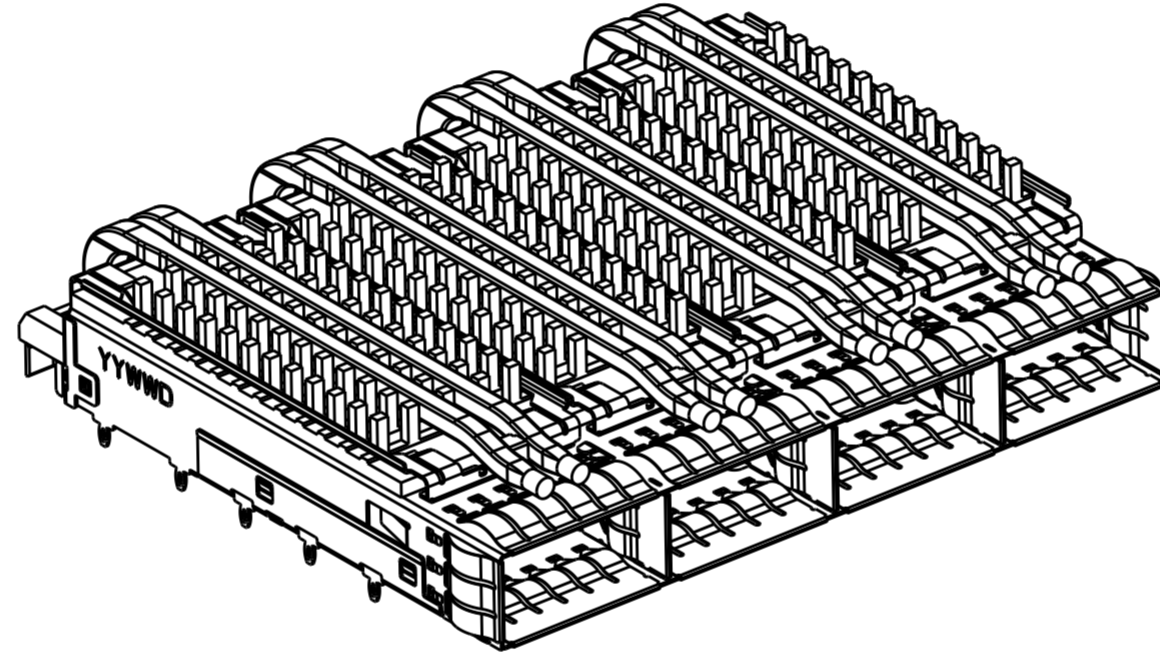


NETWORKING HEAT SINK
SCALE 2:1

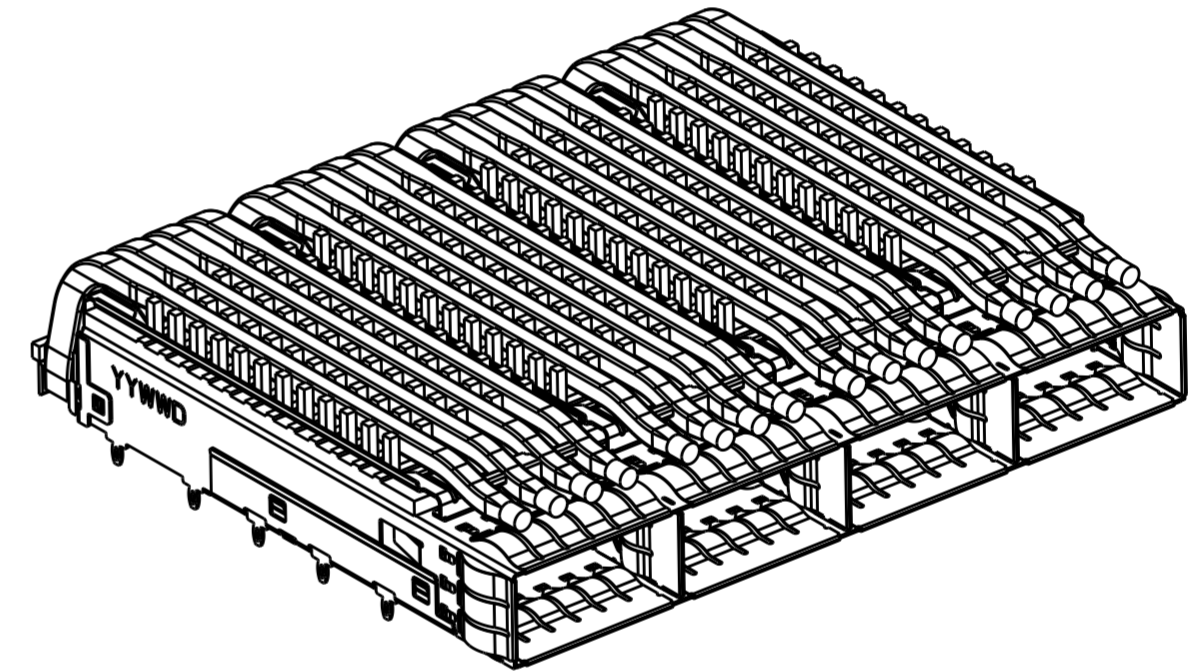
LIGHT PIPE OPTION



SINGLE LIGHT PIPE
SCALE 3:2

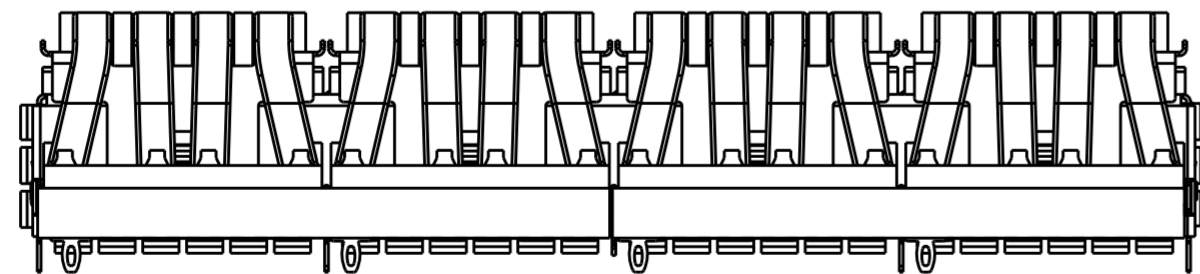


DUAL LIGHT PIPE
SCALE 3:2

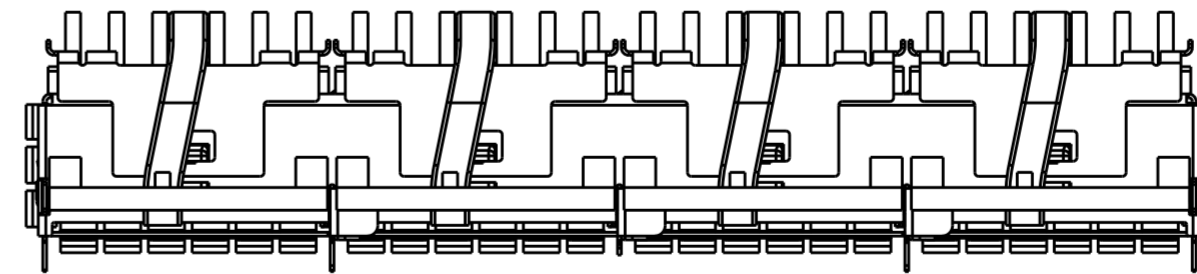


QUAD LIGHT PIPE
SCALE 3:2


OF REAR PIN OPTION



1 REAR PIN
SCALE 2:1

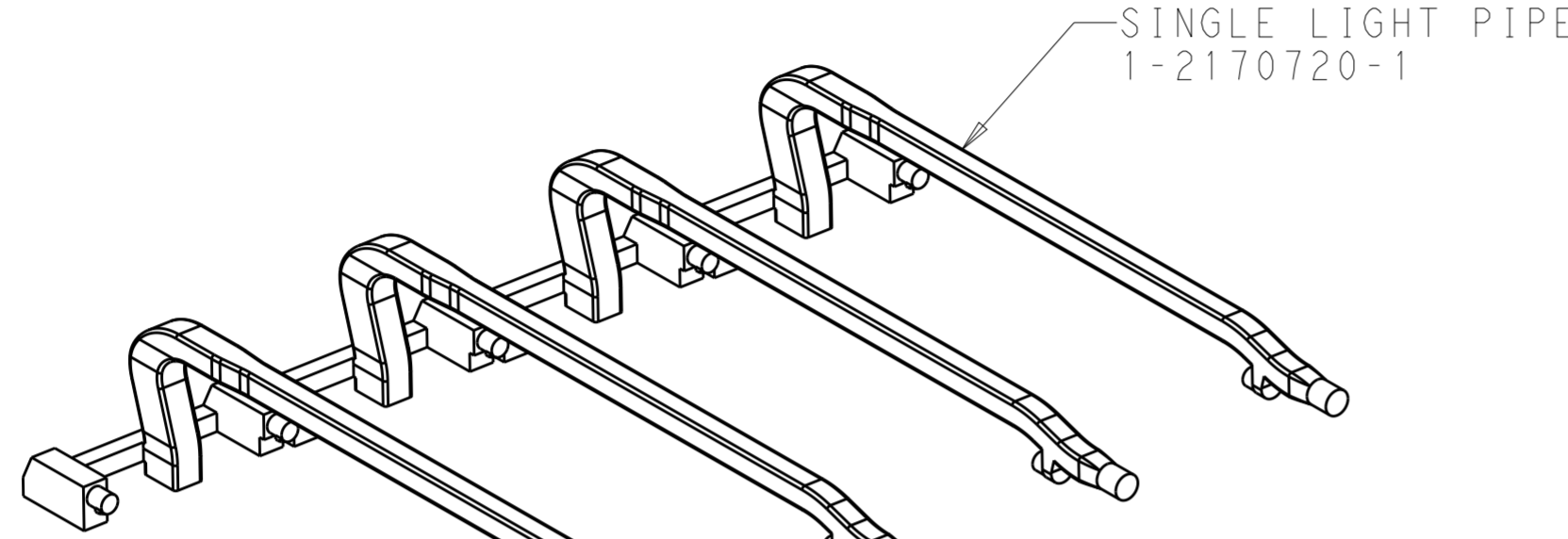


0 REAR PIN
SCALE 2:1

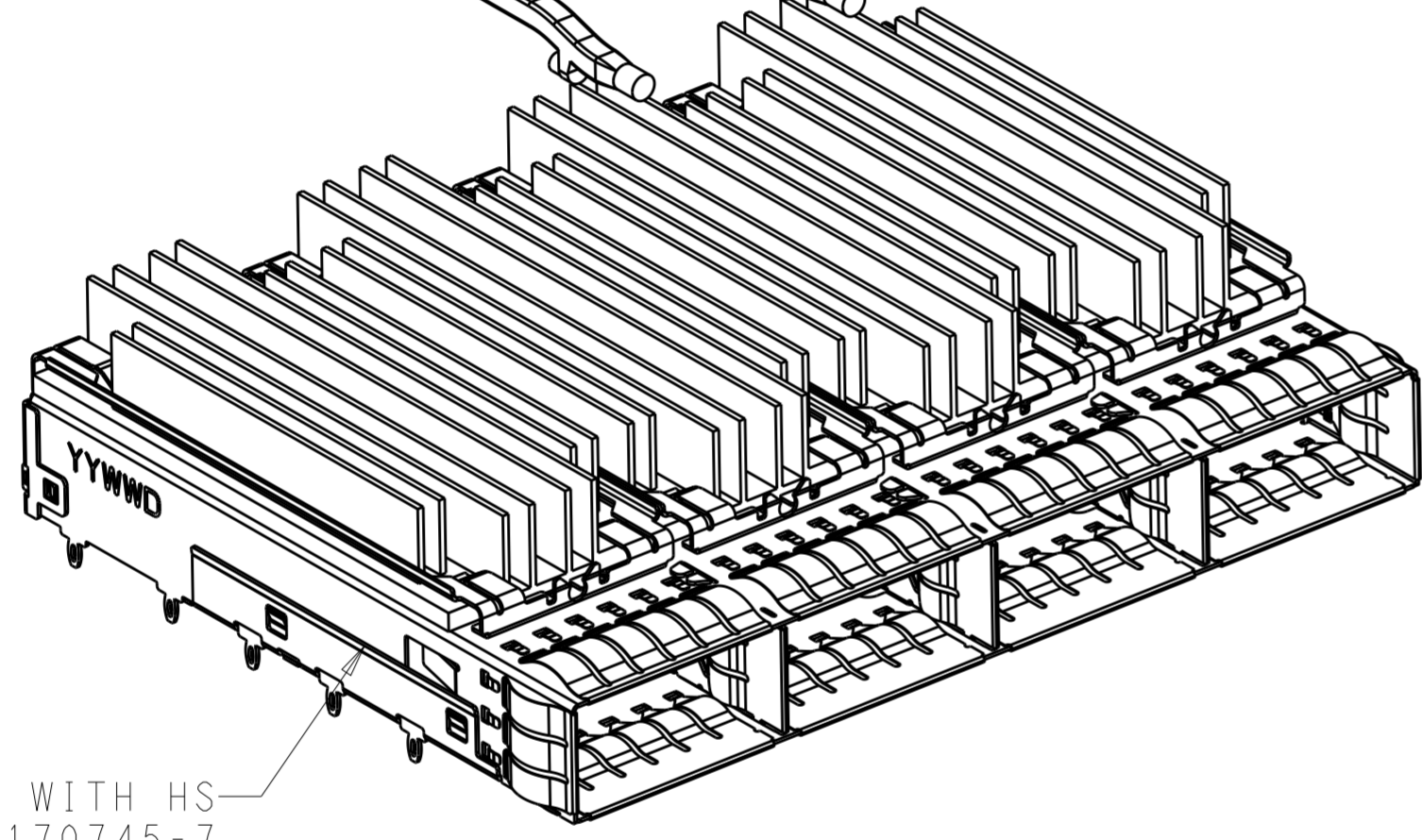
THIS DRAWING IS A CONTROLLED DOCUMENT.		DWN JASON YANG 04JUN2014	 TE Connectivity	
		CHK SEAN HAN 07JUN2014		
DIMENSIONS: mm		APVD -	NAME RECEPTACLE CAGE ASSEMBLY WITH HEAT SINKS AND LIGHT PIPES, THRU BEZEL, 1X4, QSFP28, SPRING	
TOLERANCES UNLESS OTHERWISE SPECIFIED: 0 PLC ± 1 PLC ±0.25 2 PLC ±0.2 3 PLC ± 4 PLC ± ANGLES ± FINISH		PRODUCT SPEC 108-19428	RESTRICTED TO	
MATERIAL SEE NOTES		APPLICATION SPEC 114-32023	SIZE A2	CAGE CODE 00779
		WEIGHT -	DRAWING NO C-2170747	SCALE 1:1
		CUSTOMER DRAWING	SHEET 2	OF 13
			REV C	

THIS DRAWING IS UNPUBLISHED. RELEASED FOR PUBLICATION 20
 © COPYRIGHT 20 BY - ALL RIGHTS RESERVED.

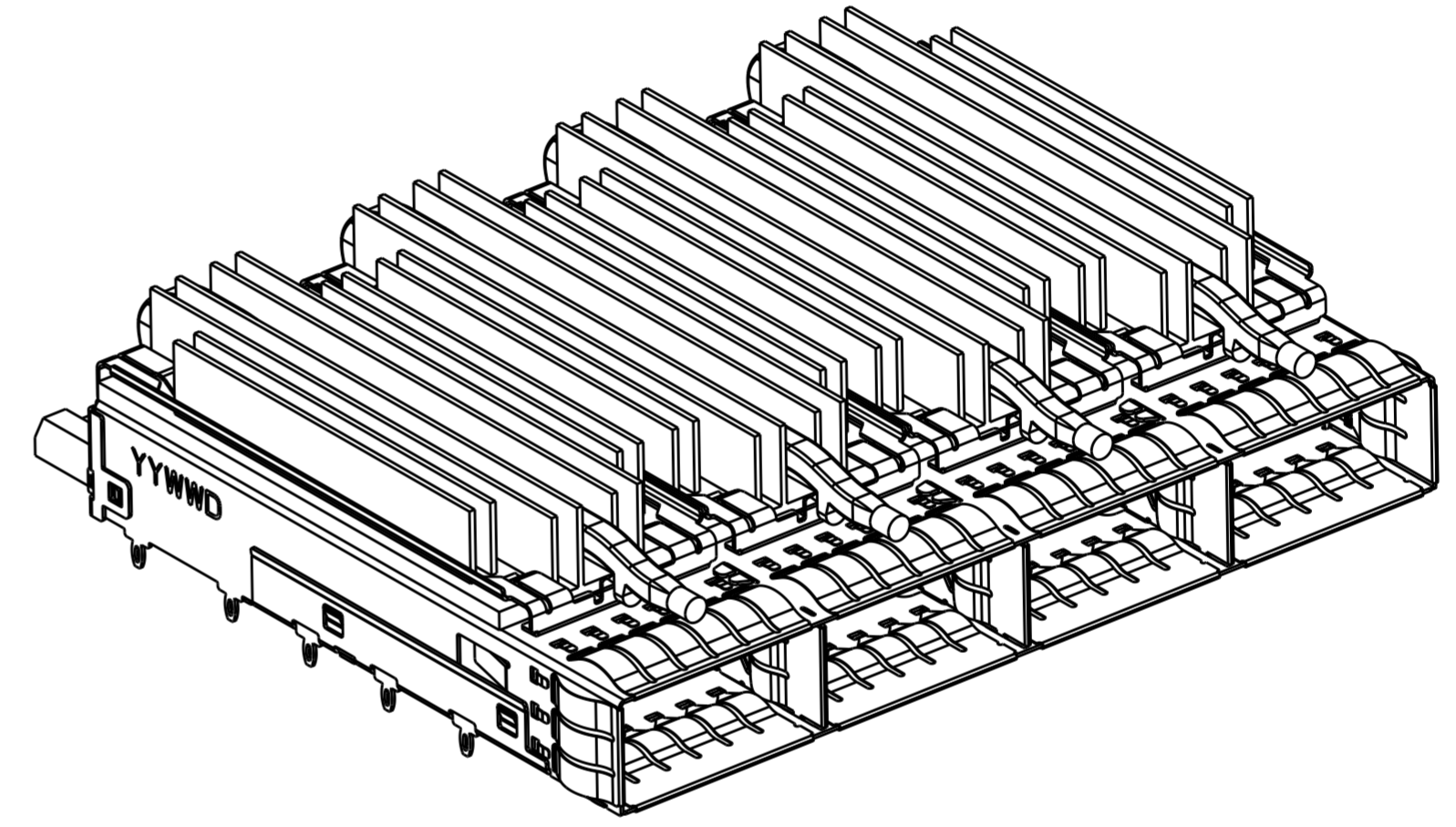
REVISIONS				
P	LTR	DESCRIPTION	DATE	APVD
-	-	SEE SHEET 1	-	-




CAGE ASSEMBLY WITH HS
2170745-7



2170747-7 UNASSEMBLED
 CAGE ASSY WITH HS AND LIGHT PIPE ARE UNASSEMBLED,
 AND PACKAGED INDIVIDUALLY.
 CUSTOMIZED HEAT SINK
 SCALE 2:1

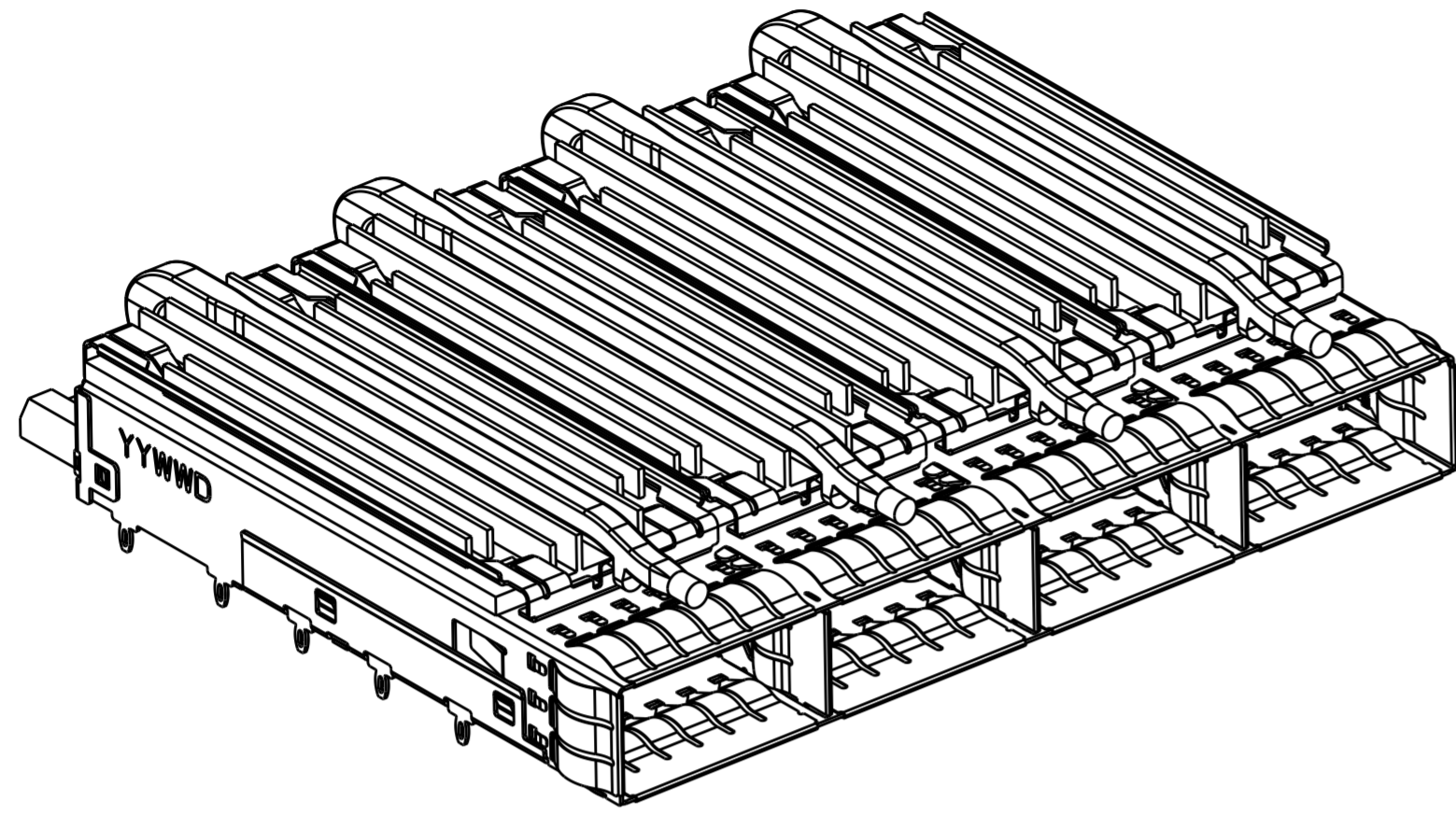


2170747-8 ASSEMBLED
 ASSEMBLED AND PACKAGED TOGETHER, CUSTOMIZED HEAT SINK
 SCALE 2:1

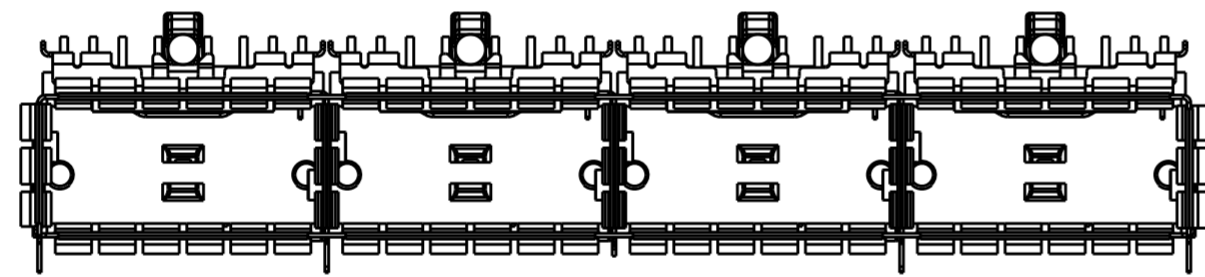
THIS DRAWING IS A CONTROLLED DOCUMENT.		DWN JASON YANG 04 JUN 2014	 TE Connectivity	
		CHK SEAN HAN 07 JUN 2014		
DIMENSIONS:	TOLERANCES UNLESS OTHERWISE SPECIFIED:	APVD	NAME	RECEPTACLE CAGE ASSEMBLY WITH HEAT SINKS AND LIGHT PIPES, THRU BEZEL, 1X4, QSFP28, SPRING
mm	0 PLC ± 1 PLC ±0.25 2 PLC ±0.2 3 PLC ± 4 PLC ± ANGLES ± FINISH	PRODUCT SPEC 108-19428	SIZE	
MATERIAL	SEE NOTES	APPLICATION SPEC 114-32023	CAGE CODE	DRAWING NO
		WEIGHT	A200779	C-2170747
		CUSTOMER DRAWING	SCALE	SHEET
			1:1	3 OF 13
				REV C

THIS DRAWING IS UNPUBLISHED. RELEASED FOR PUBLICATION 20
 © COPYRIGHT 20 BY - ALL RIGHTS RESERVED.

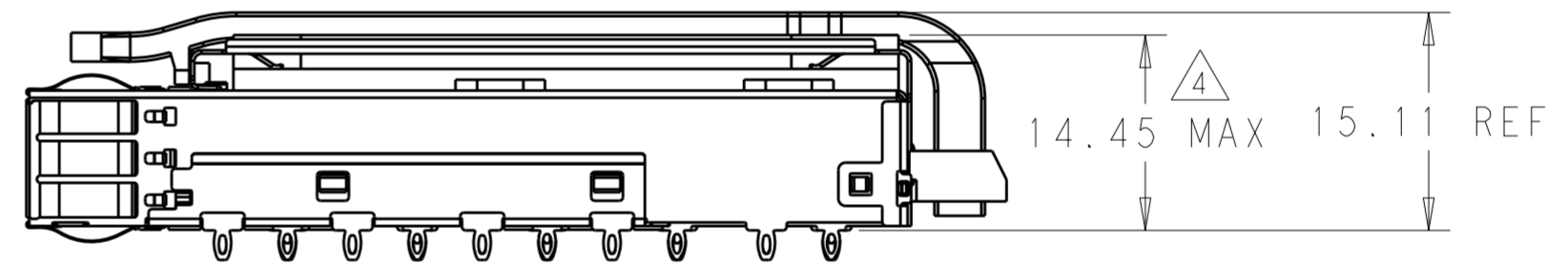
REVISIONS				
P	LTR	DESCRIPTION	DATE	APVD
-		SEE SHEET 1	-	-




2170747-9 AS SHOWN
 WITH CUSTOMIZED HEAT SINK
 SCALE 2:1



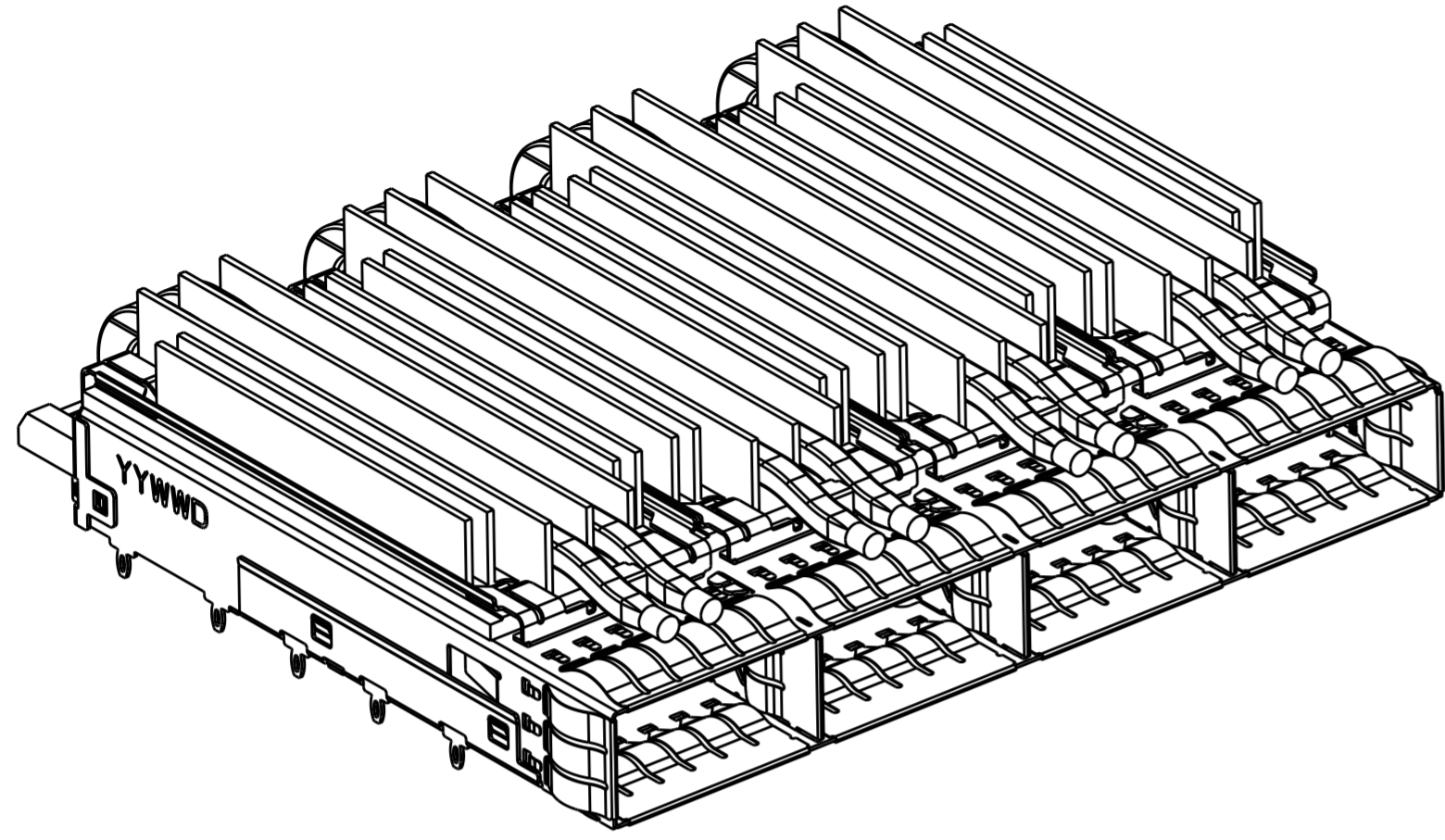
SCALE 2:1



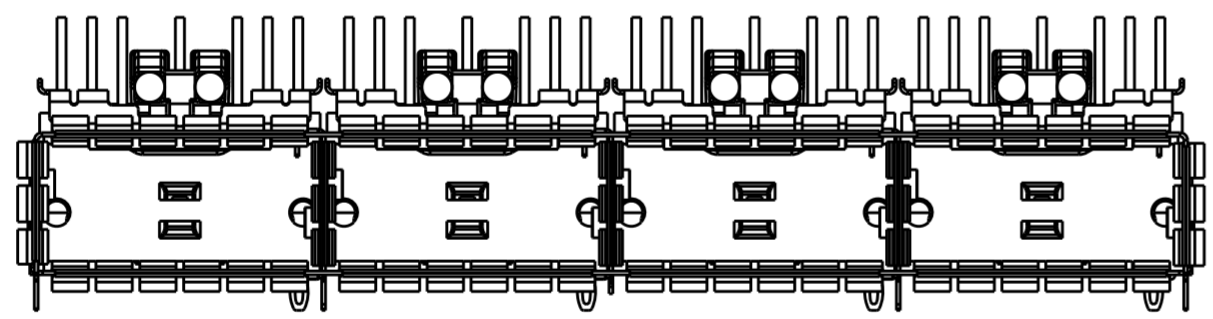
THIS DRAWING IS A CONTROLLED DOCUMENT.		DWN JASON YANG 04JUN2014	 TE Connectivity	
		CHK SEAN HAN 07JUN2014		
DIMENSIONS:	TOLERANCES UNLESS OTHERWISE SPECIFIED:	APVD	NAME	RECEPTACLE CAGE ASSEMBLY WITH HEAT SINKS AND LIGHT PIPES, THRU BEZEL, 1X4, QSFP28, SPRING
mm	0 PLC ± 1 PLC ±0.25 2 PLC ±0.2 3 PLC ± 4 PLC ± ANGLES ± FINISH	PRODUCT SPEC 108-19428	SIZE	
MATERIAL	SEE NOTES	APPLICATION SPEC 114-32023	CAGE CODE	DRAWING NO
		WEIGHT	A200779	C-2170747
		CUSTOMER DRAWING	SCALE 1:1	SHEET 4 OF 13

THIS DRAWING IS UNPUBLISHED. RELEASED FOR PUBLICATION 20
 © COPYRIGHT 20 BY - ALL RIGHTS RESERVED.

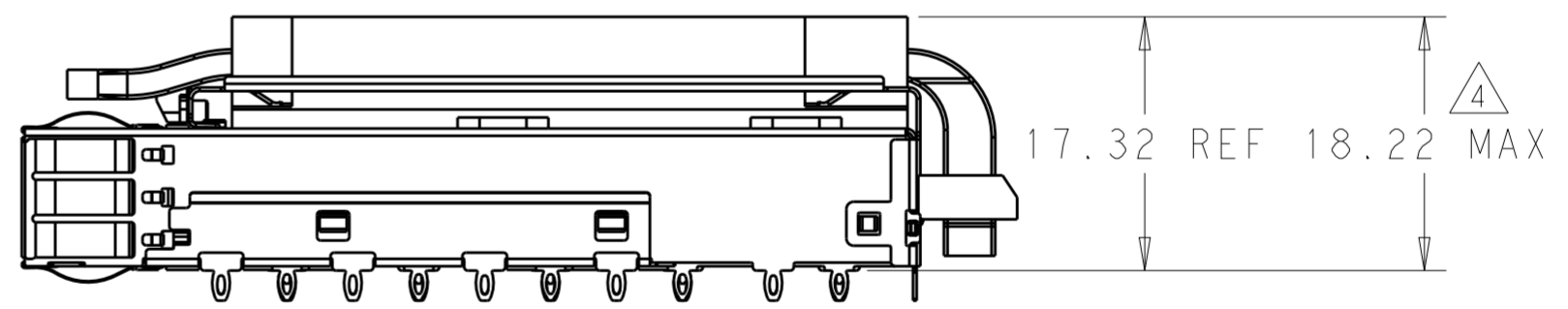
REVISIONS				
P	LTR	DESCRIPTION	DATE	APVD
-	-	SEE SHEET 1	-	-


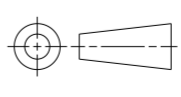


2-2170747-7 AS SHOWN
 WITH CUSTOMIZED HEAT SINK
 SCALE 2:1



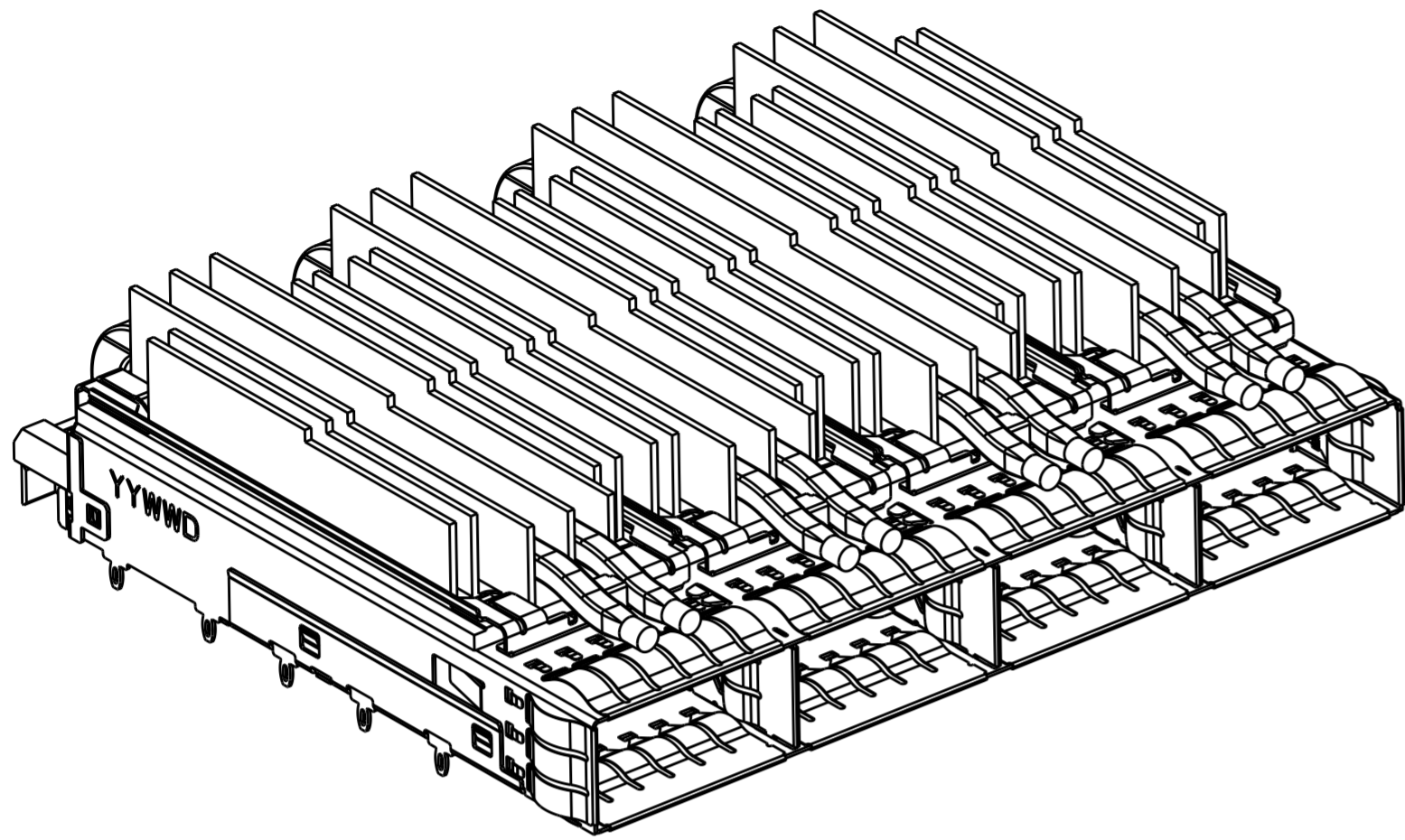
SCALE 2:1



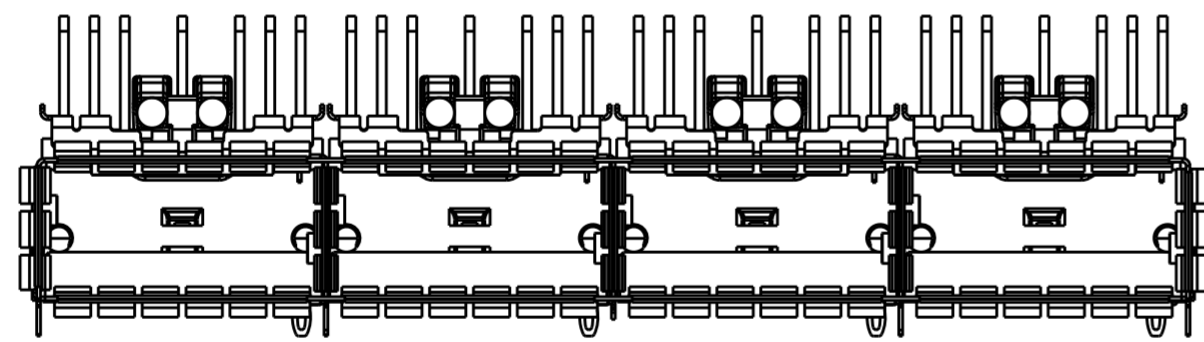
THIS DRAWING IS A CONTROLLED DOCUMENT.		DWN JASON YANG 04JUN2014	 TE Connectivity	
		CHK SEAN HAN 07JUN2014		
DIMENSIONS: mm		TOLERANCES UNLESS OTHERWISE SPECIFIED:		NAME RECEPTACLE CAGE ASSEMBLY WITH HEAT SINKS AND LIGHT PIPES, THRU BEZEL, 1X4, QSFP28, SPRING
		0 PLC ± 1 PLC ±0.25 2 PLC ±0.2 3 PLC ± 4 PLC ± ANGLES ± FINISH ±		PRODUCT SPEC 108-19428
MATERIAL SEE NOTES		APVD -		APPLICATION SPEC 114-32023
		WEIGHT -		SIZE A2
		CUSTOMER DRAWING		CAGE CODE 00779
		DRAWING NO C-2170747		RESTRICTED TO -
		SCALE 1:1		SHEET 5 OF 13
		REV C		

THIS DRAWING IS UNPUBLISHED. RELEASED FOR PUBLICATION 20
 © COPYRIGHT 20 BY - ALL RIGHTS RESERVED.

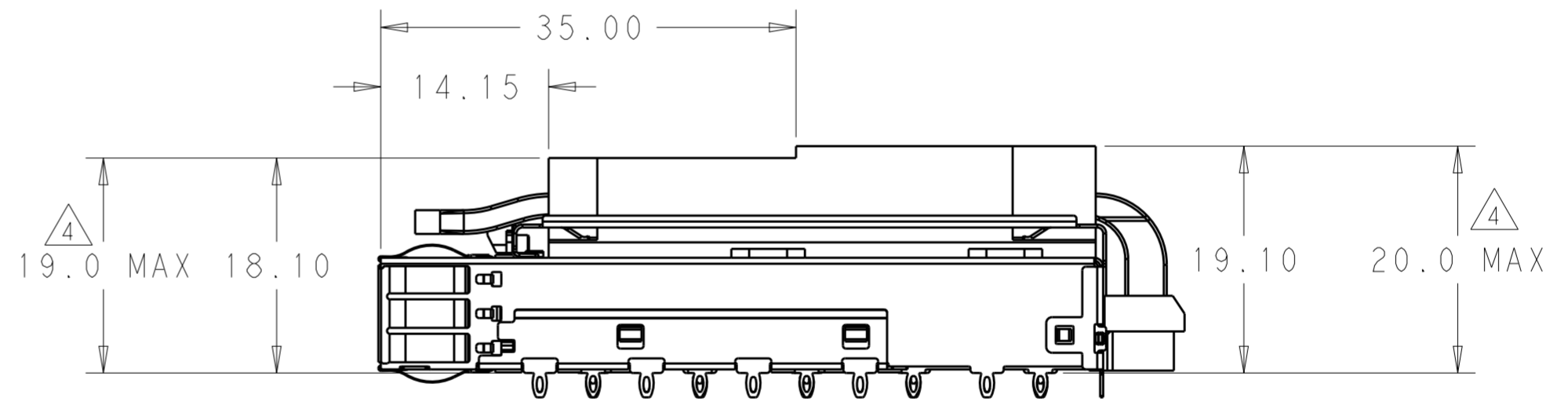
REVISIONS				
P	LTR	DESCRIPTION	DATE	APVD
-		SEE SHEET 1	-	-


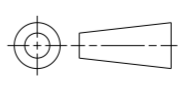


2-2170747-8 AS SHOWN
 WITH CUSTOMIZED HEAT SINK
 SCALE 2:1



SCALE 2:1

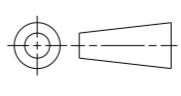
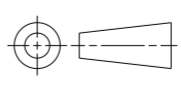


THIS DRAWING IS A CONTROLLED DOCUMENT.		DWN JASON YANG 04 JUN 2014	 TE Connectivity	
		CHK SEAN HAN 07 JUN 2014		
DIMENSIONS: mm		TOLERANCES UNLESS OTHERWISE SPECIFIED:		NAME RECEPTACLE CAGE ASSEMBLY WITH HEAT SINKS AND LIGHT PIPES, THRU BEZEL, 1X4, QSFP28, SPRING
		0 PLC ± 1 PLC ±0.25 2 PLC ±0.2 3 PLC ± 4 PLC ± ANGLES ± FINISH ±		PRODUCT SPEC 108-19428 APPLICATION SPEC 114-32023 WEIGHT -
MATERIAL SEE NOTES		FINISH SEE NOTES		SIZE CAGE CODE DRAWING NO RESTRICTED TO A200779 C-2170747 -
		CUSTOMER DRAWING		SCALE 1:1 SHEET 6 OF 13 REV C

THIS DRAWING IS UNPUBLISHED. RELEASED FOR PUBLICATION 20
 © COPYRIGHT 20 BY - ALL RIGHTS RESERVED.

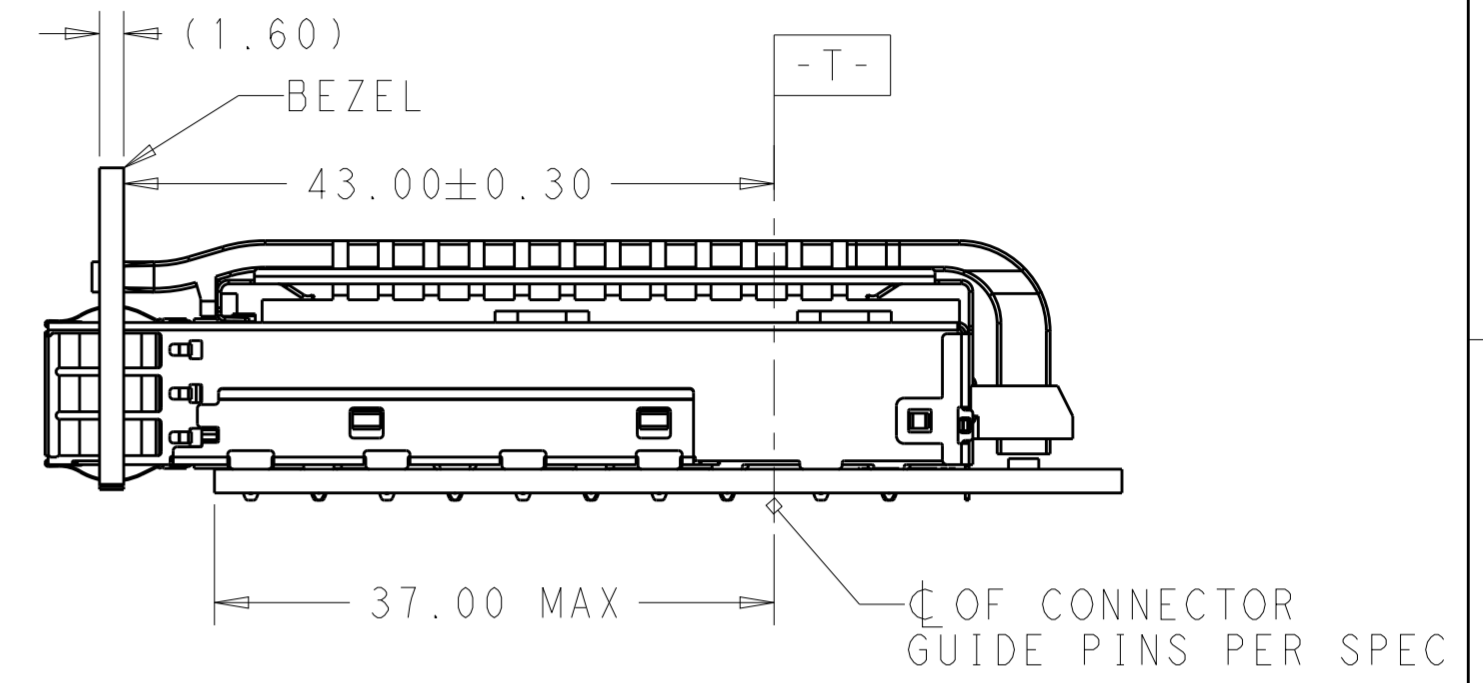
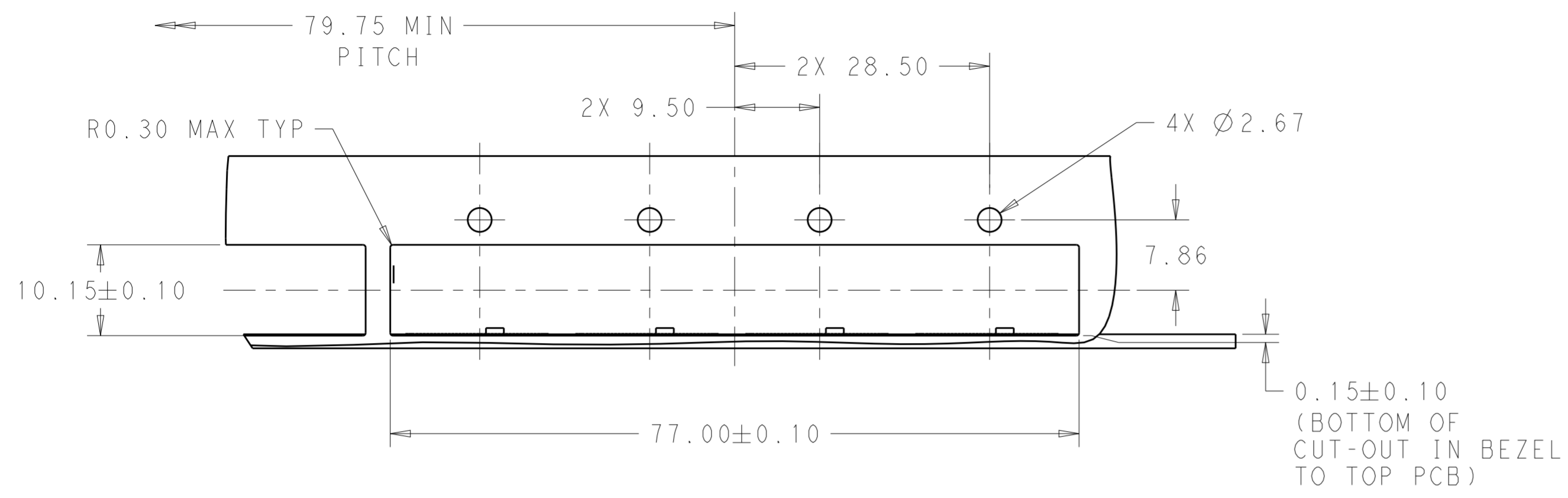
REVISIONS				
P	LTR	DESCRIPTION	DATE	APVD
-		SEE SHEET 1	-	-

1	16.0	SAN	COATED QUAD LP	5-2170747-2
0	23.0	NETWORKING	QUAD LP	4-2170747-6
0	16.0	SAN	QUAD LP	4-2170747-5
0	13.7	PCI	QUAD LP	4-2170747-4
1	23.0	NETWORKING	QUAD LP	4-2170747-3
1	16.0	SAN	QUAD LP	4-2170747-2
1	13.7	PCI	QUAD LP	4-2170747-1
1	20.3	CUSTOMIZED	DUAL LP	2-2170747-8
1	18.22	CUSTOMIZED	DUAL LP	2-2170747-7
0	23.0	NETWORKING	DUAL LP	2-2170747-6
0	16.0	SAN	DUAL LP	2-2170747-5
0	13.7	PCI	DUAL LP	2-2170747-4
1	23.0	NETWORKING	DUAL LP	2-2170747-3
1	16.0	SAN	DUAL LP	2-2170747-2
1	13.7	PCI	DUAL LP	2-2170747-1
0	14.45	CUSTOMIZED	SINGLE LP	2170747-9
0	18.05	CUSTOMIZED	SINGLE LP	2170747-8
0	18.05	CUSTOMIZED	SINGLE LP	2170747-7 ¹³
0	23.0	NETWORKING	SINGLE LP	2170747-6
0	16.0	SAN	SINGLE LP	2170747-5
0	13.7	PCI	SINGLE LP	2170747-4
1	23.0	NETWORKING	SINGLE LP	2170747-3
1	16.0	SAN	SINGLE LP	2170747-2
1	13.7	PCI	SINGLE LP	2170747-1
# OF REAR PIN	DIM A	APPLICATION	LIGHT PIPE OPTION	PART NUMBER

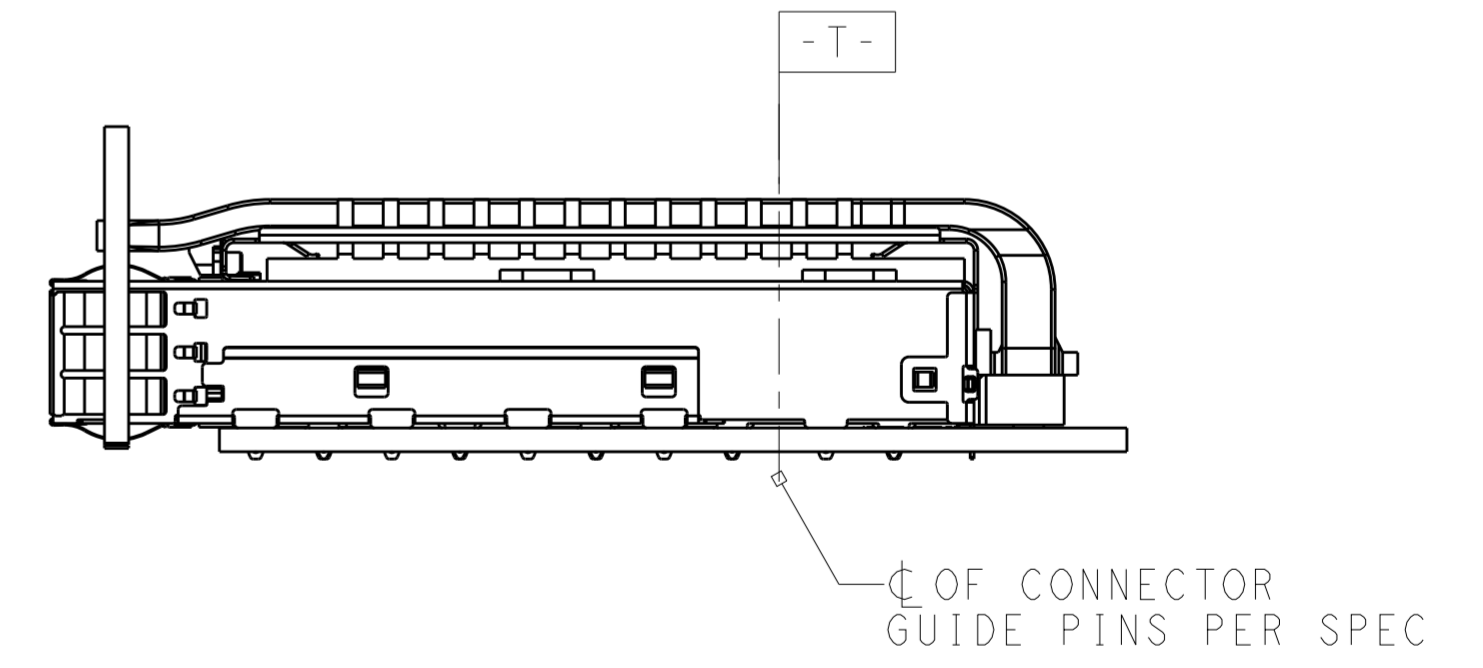
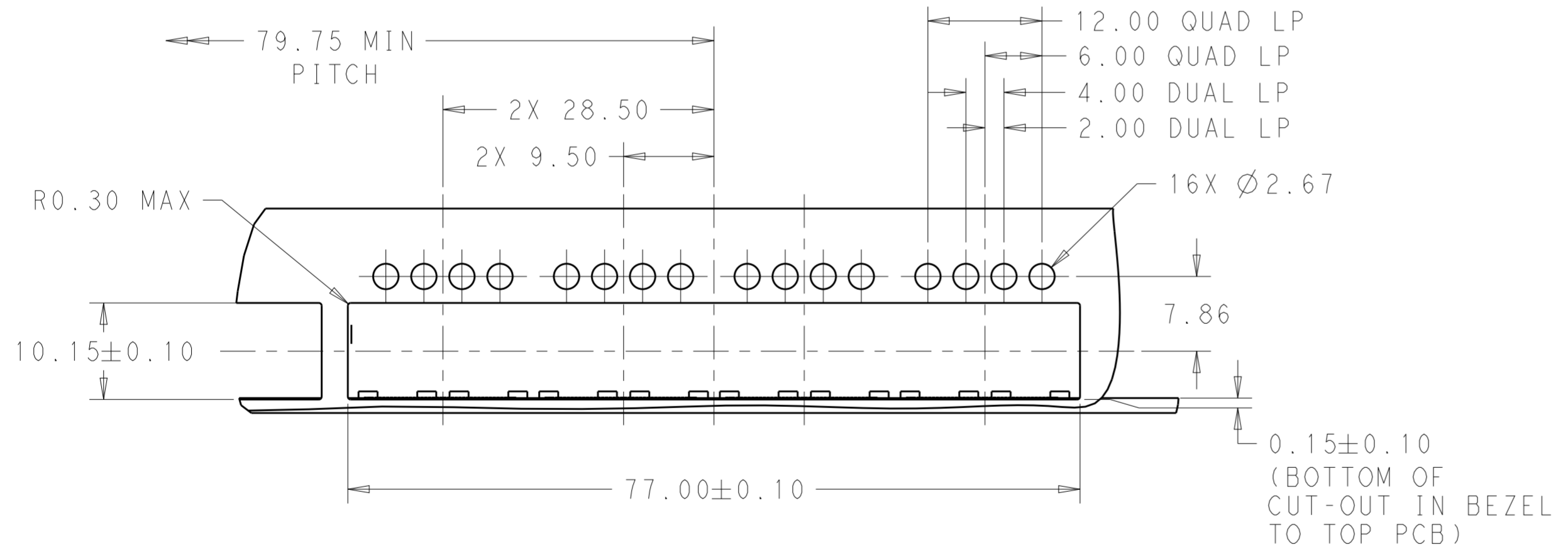
THIS DRAWING IS A CONTROLLED DOCUMENT.		DWN JASON YANG 04 JUN 2014	 TE Connectivity	
		CHK SEAN HAN 07 JUN 2014		
DIMENSIONS: mm		TOLERANCES UNLESS OTHERWISE SPECIFIED:		NAME RECEPTACLE CAGE ASSEMBLY WITH HEAT SINKS AND LIGHT PIPES, THRU BEZEL, 1X4, QSFP28, SPRING
		0 PLC ± 1 PLC ±0.25 2 PLC ±0.2 3 PLC ± 4 PLC ± ANGLES ±		PRODUCT SPEC 108-19428
MATERIAL SEE NOTES		FINISH SEE NOTES		APPLICATION SPEC 114-32023
		WEIGHT -		SIZE A200779
		CUSTOMER DRAWING		DRAWING NO C-2170747
		SCALE 1:1		RESTRICTED TO -
		SHEET 7 OF 13		REV C

THIS DRAWING IS UNPUBLISHED. RELEASED FOR PUBLICATION 20
 © COPYRIGHT 20 BY - ALL RIGHTS RESERVED.


REVISIONS				
P	LTR	DESCRIPTION	DATE	APVD
-	-	SEE SHEET 1	-	-



SINGLE SIDE MOUNTING
SCALE 2:1

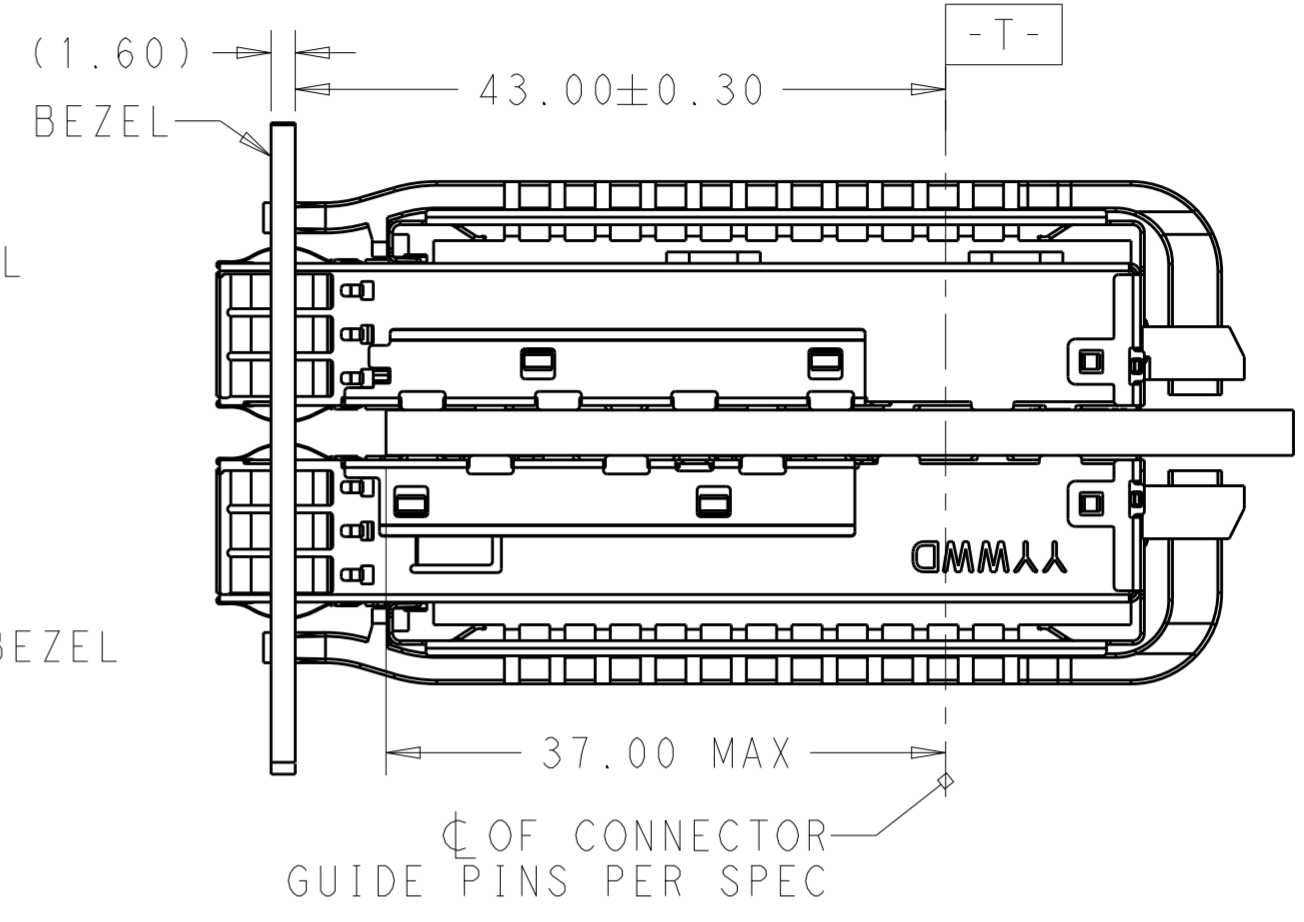
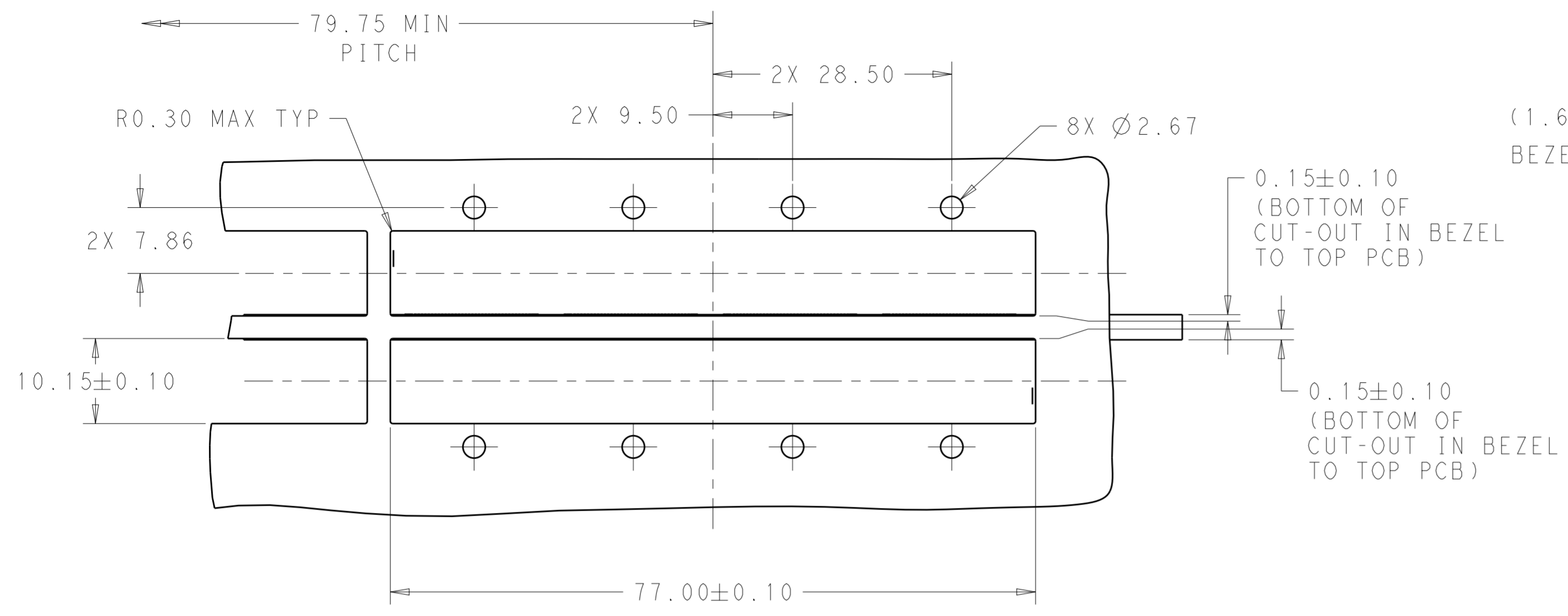


SINGLE SIDE MOUNTING
SCALE 2:1

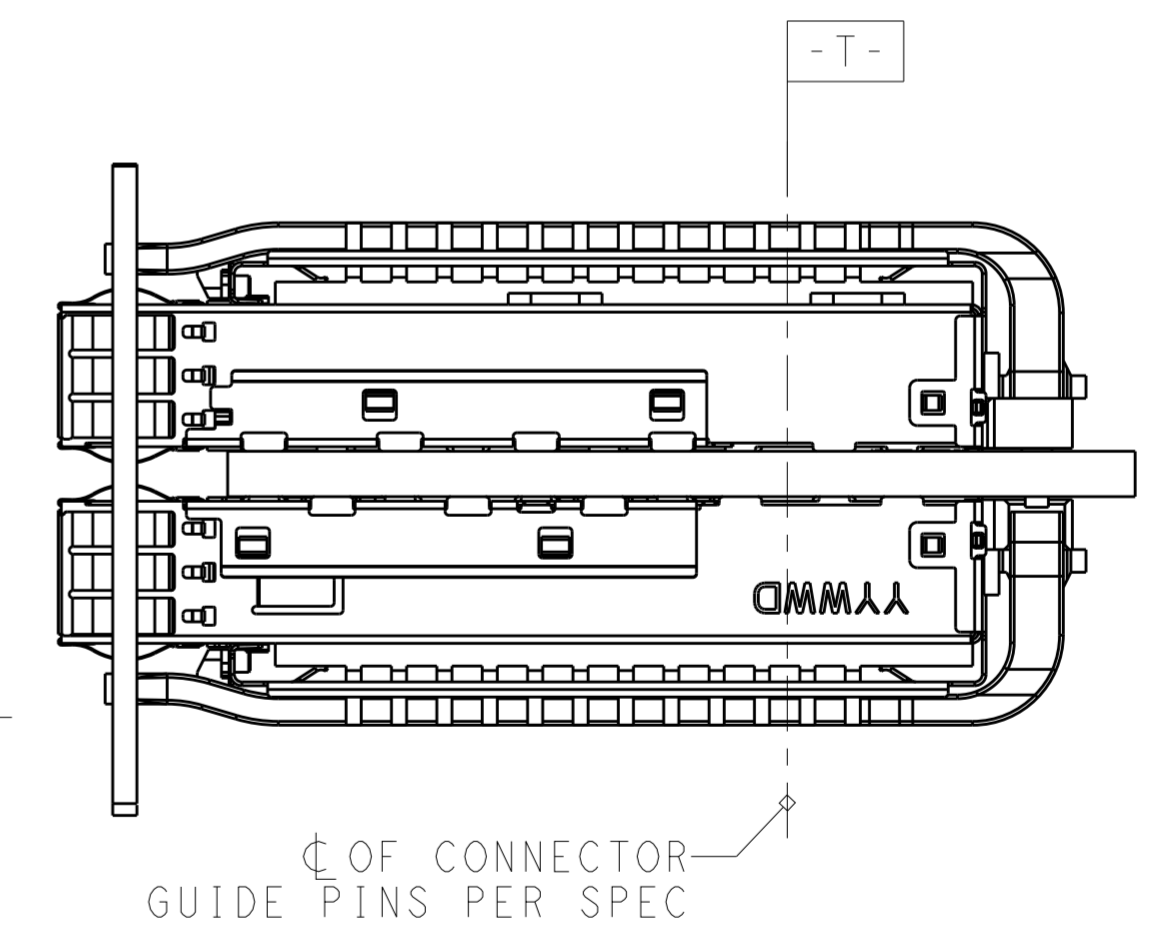
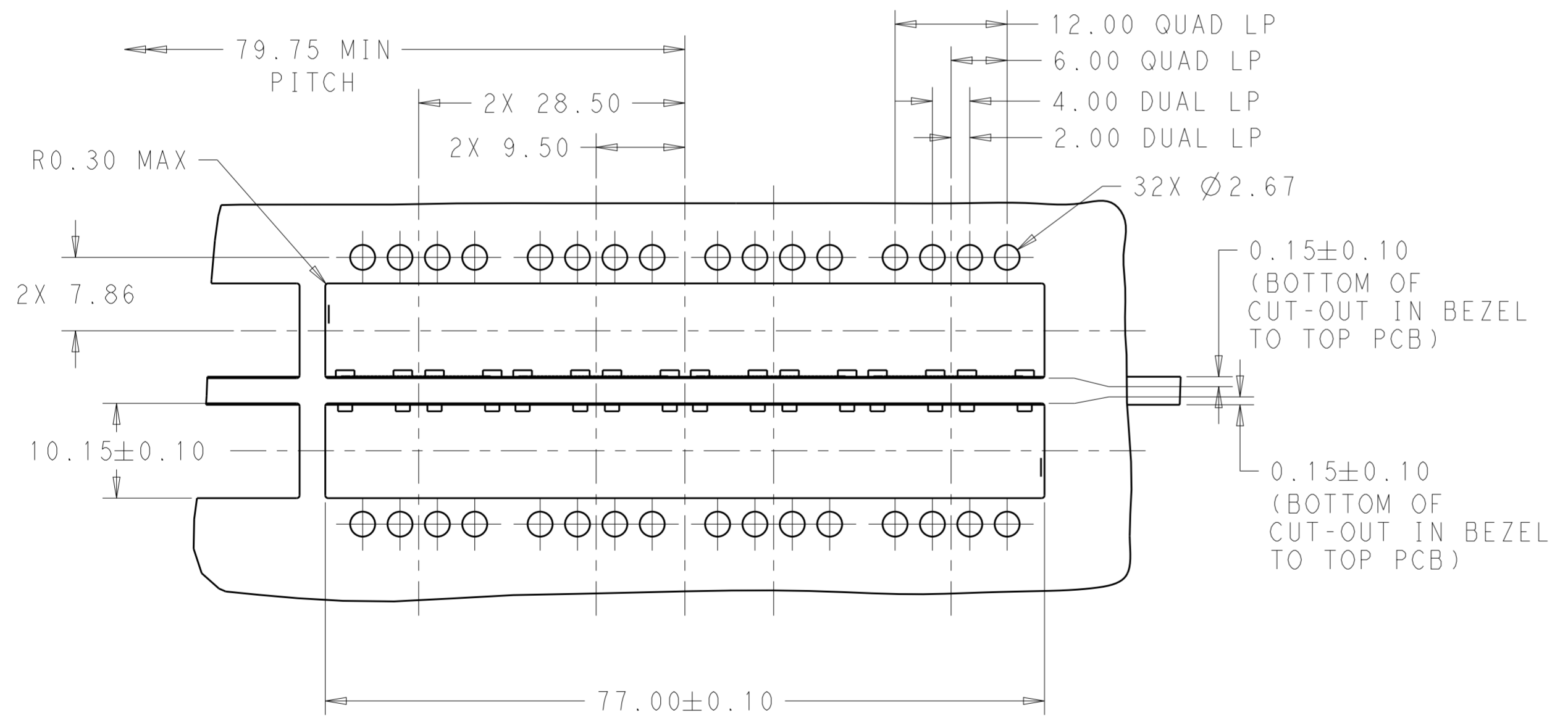
THIS DRAWING IS A CONTROLLED DOCUMENT.		DWN JASON YANG 04 JUN 2014	 TE Connectivity	
		CHK SEAN HAN 07 JUN 2014		
DIMENSIONS: mm		APVD -		NAME RECEPTACLE CAGE ASSEMBLY WITH HEAT SINKS AND LIGHT PIPES, THRU BEZEL, 1X4, QSFP28, SPRING
TOLERANCES UNLESS OTHERWISE SPECIFIED: 0 PLC ± 1 PLC ±0.25 2 PLC ±0.2 3 PLC ± 4 PLC ± ANGLES ± FINISH		PRODUCT SPEC 108-19428		SIZE 114-32023
MATERIAL SEE NOTES		APPLICATION SPEC 114-32023		RESTRICTED TO -
		WEIGHT -		SCALE 1:1
		CUSTOMER DRAWING		SHEET 8 OF 13
				REV C

THIS DRAWING IS UNPUBLISHED. RELEASED FOR PUBLICATION 20
 © COPYRIGHT 20 BY - ALL RIGHTS RESERVED.

REVISIONS				
P	LTR	DESCRIPTION	DATE	APVD
-	-	SEE SHEET 1	-	-



BELLY TO BELLY MOUNTING
SCALE 2:1

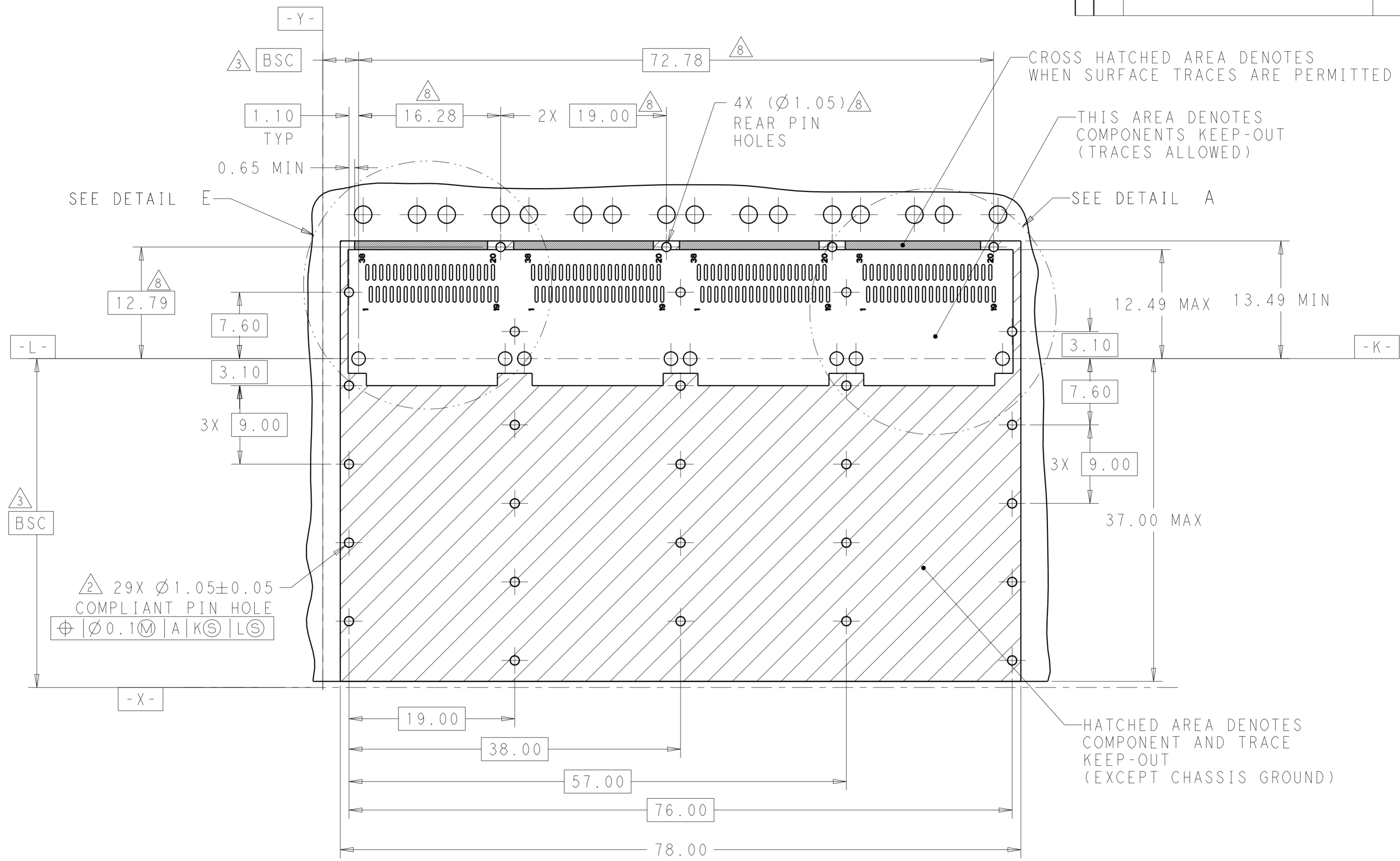


BELLY TO BELLY MOUNTING
SCALE 2:1

THIS DRAWING IS A CONTROLLED DOCUMENT.		DWN JASON YANG 04 JUN 2014	TE Connectivity	
		CHK SEAN HAN 07 JUN 2014		
DIMENSIONS:	TOLERANCES UNLESS OTHERWISE SPECIFIED:	APVD	NAME	
mm	0 PLC ± 1 PLC ±0.25 2 PLC ±0.2 3 PLC ± 4 PLC ± ANGLES ± FINISH	PRODUCT SPEC	RECEPTACLE CAGE ASSEMBLY WITH HEAT SINKS AND LIGHT PIPES, THRU BEZEL, 1X4, QSFP28, SPRING	
MATERIAL	SEE NOTES	APPLICATION SPEC	SIZE	CAGE CODE
		114-32023	A2	00779
		WEIGHT	DRAWING NO	RESTRICTED TO
		CUSTOMER DRAWING	C-2170747	-
		SCALE	SHEET	REV
		1:1	9 OF 13	C

THIS DRAWING IS UNPUBLISHED. RELEASED FOR PUBLICATION 20
 © COPYRIGHT 20 BY - ALL RIGHTS RESERVED.

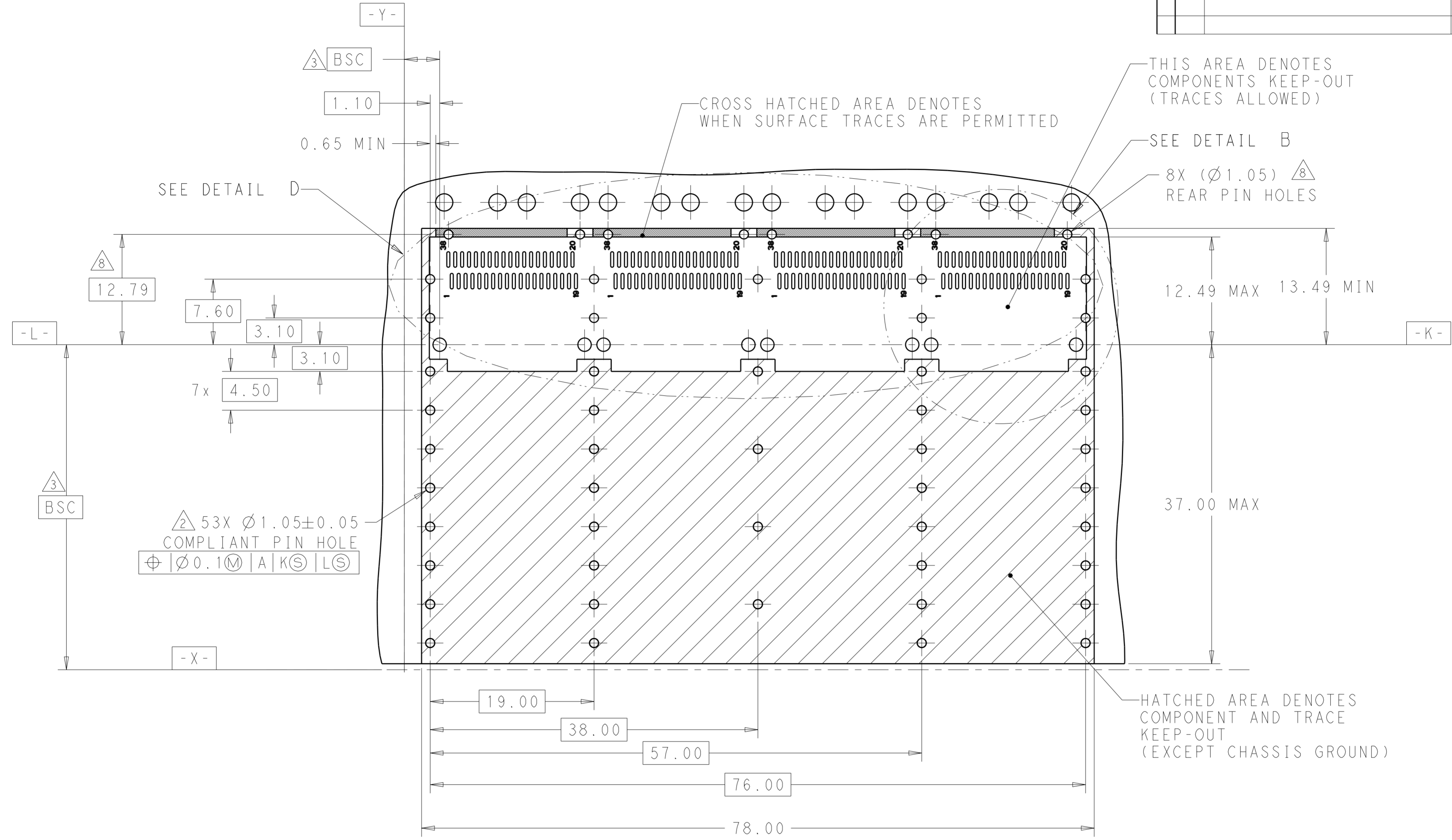
REVISIONS				
P	LTR	DESCRIPTION	DATE	APVD
-	-	SEE SHEET 1	-	-




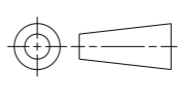
RECOMMENDED PCB LAYOUT
 SINGLE TYPE
 PCB TOLERANCE: ±0.05
 SCALE 3:1

THIS DRAWING IS A CONTROLLED DOCUMENT.		DWN JASON YANG 04 JUN 2014	TE Connectivity	
		CHK SEAN HAN 07 JUN 2014		
DIMENSIONS: mm		APVD -	NAME RECEPTACLE CAGE ASSEMBLY WITH HEAT SINKS AND LIGHT PIPES, THRU BEZEL, 1X4, QSFP28, SPRING	
TOLERANCES UNLESS OTHERWISE SPECIFIED: 0 PLC ± 1 PLC ±0.25 2 PLC ±0.2 3 PLC ± 4 PLC ± ANGLES ± FINISH		PRODUCT SPEC 108-19428	RESTRICTED TO	
MATERIAL SEE NOTES		APPLICATION SPEC 114-32023	SIZE A200779	DRAWING NO C-2170747
		WEIGHT -	SCALE 1:1 SHEET 10 OF 13 REV C	
		CUSTOMER DRAWING		

REVISIONS				
P	LTR	DESCRIPTION	DATE	APVD
-	-	SEE SHEET 1	-	-

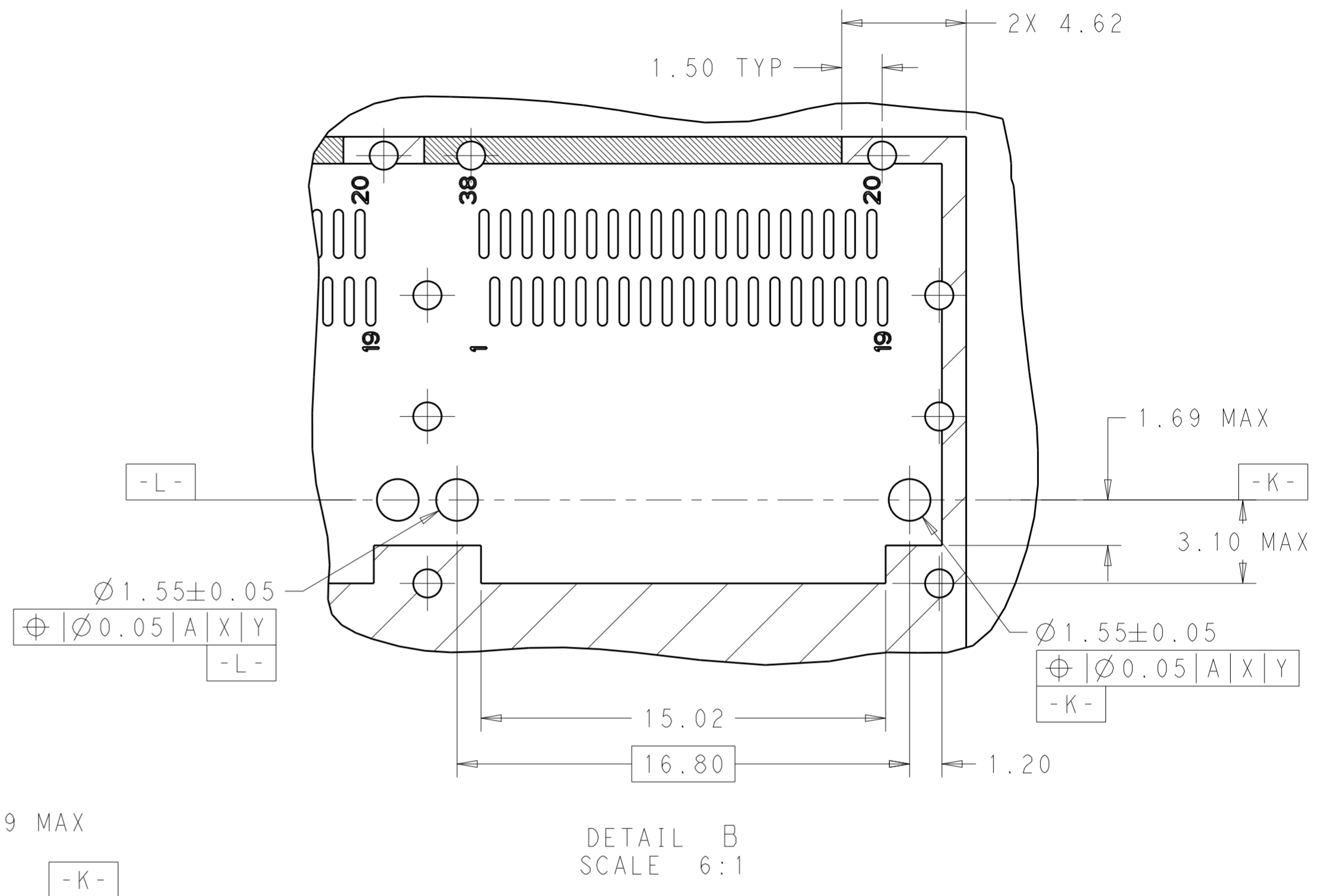
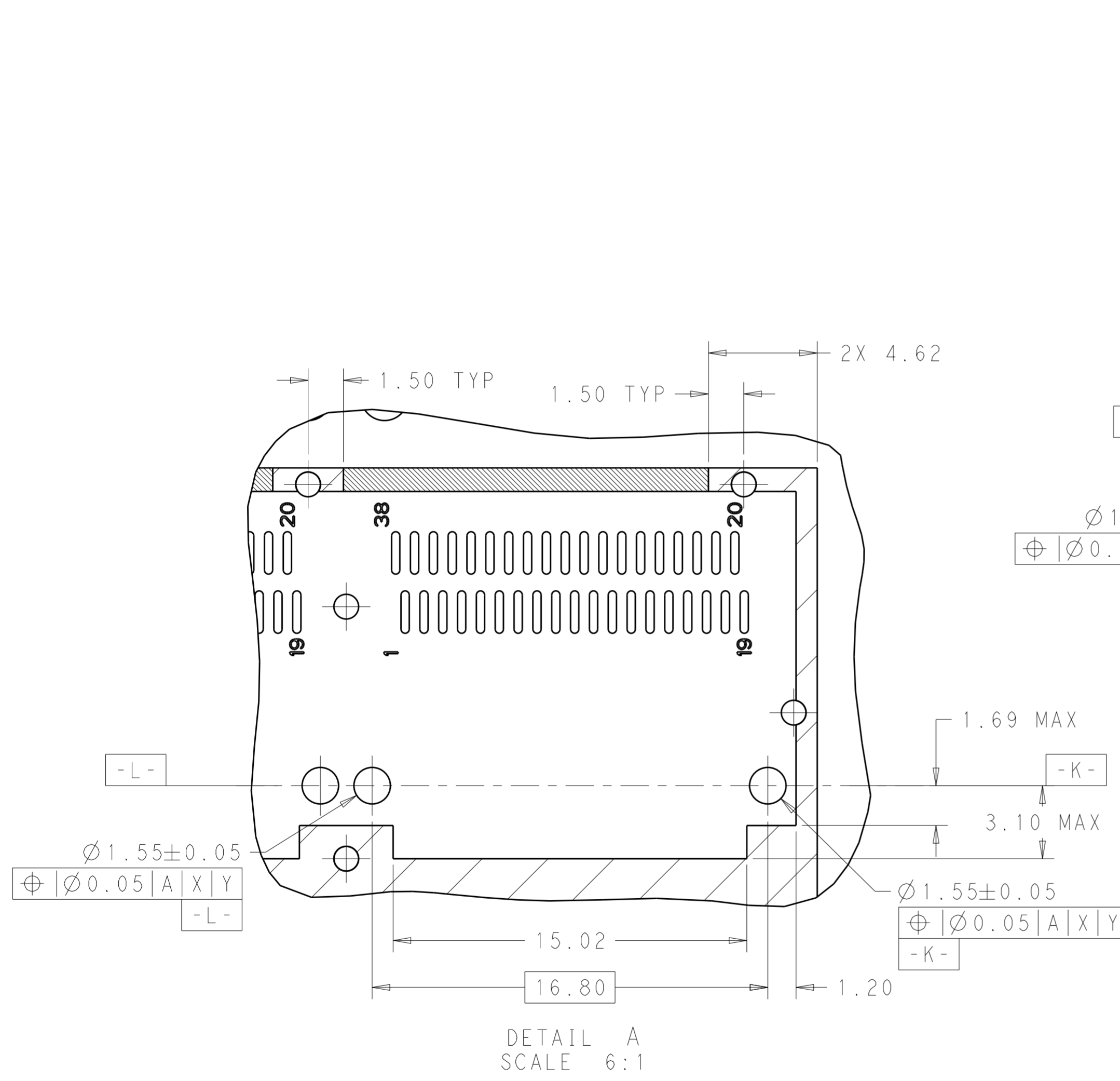



RECOMMENDED PCB LAYOUT
 BELLY TO BELLY TYPE
 PCB TOLERANCE: ±0.05
 SCALE 3:1

THIS DRAWING IS A CONTROLLED DOCUMENT.		DWN JASON YANG 04 JUN 2014	 TE Connectivity
		CHK SEAN HAN 07 JUN 2014	
DIMENSIONS: mm	TOLERANCES UNLESS OTHERWISE SPECIFIED:	APVD -	NAME RECEPTACLE CAGE ASSEMBLY WITH HEAT SINKS AND LIGHT PIPES, THRU BEZEL, 1X4, QSFP28, SPRING
	0 PLC ± 1 PLC ±0.25 2 PLC ±0.2 3 PLC ± 4 PLC ± ANGLES ± FINISH	PRODUCT SPEC 108-19428	SIZE A200779
MATERIAL SEE NOTES	SEE NOTES	APPLICATION SPEC 114-32023	DRAWING NO C-2170747
		WEIGHT -	RESTRICTED TO -
		CUSTOMER DRAWING	SCALE 1:1 SHEET 11 OF 13 REV C

THIS DRAWING IS UNPUBLISHED. RELEASED FOR PUBLICATION 20
 © COPYRIGHT 20 BY - ALL RIGHTS RESERVED.

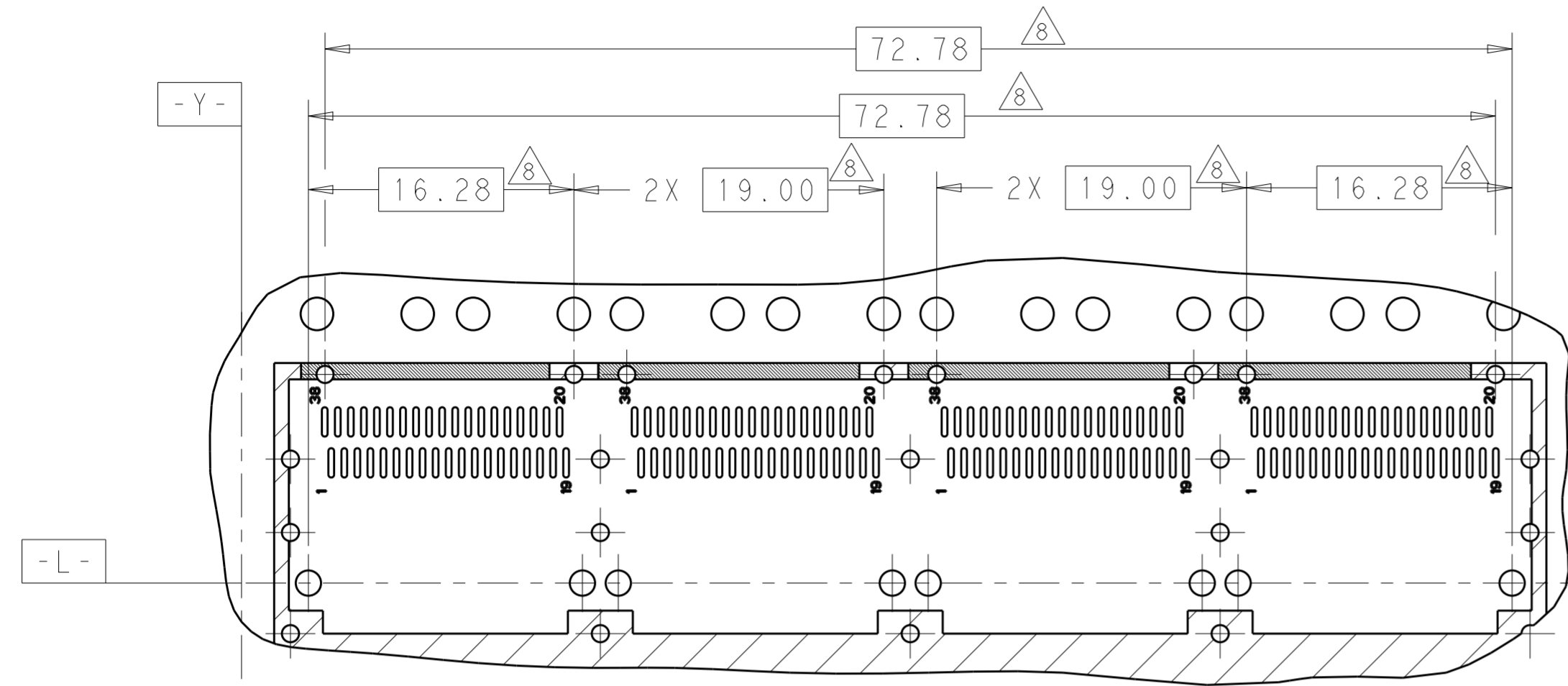
REVISIONS				
P	LTR	DESCRIPTION	DATE	APVD
-	-	SEE SHEET 1	-	-



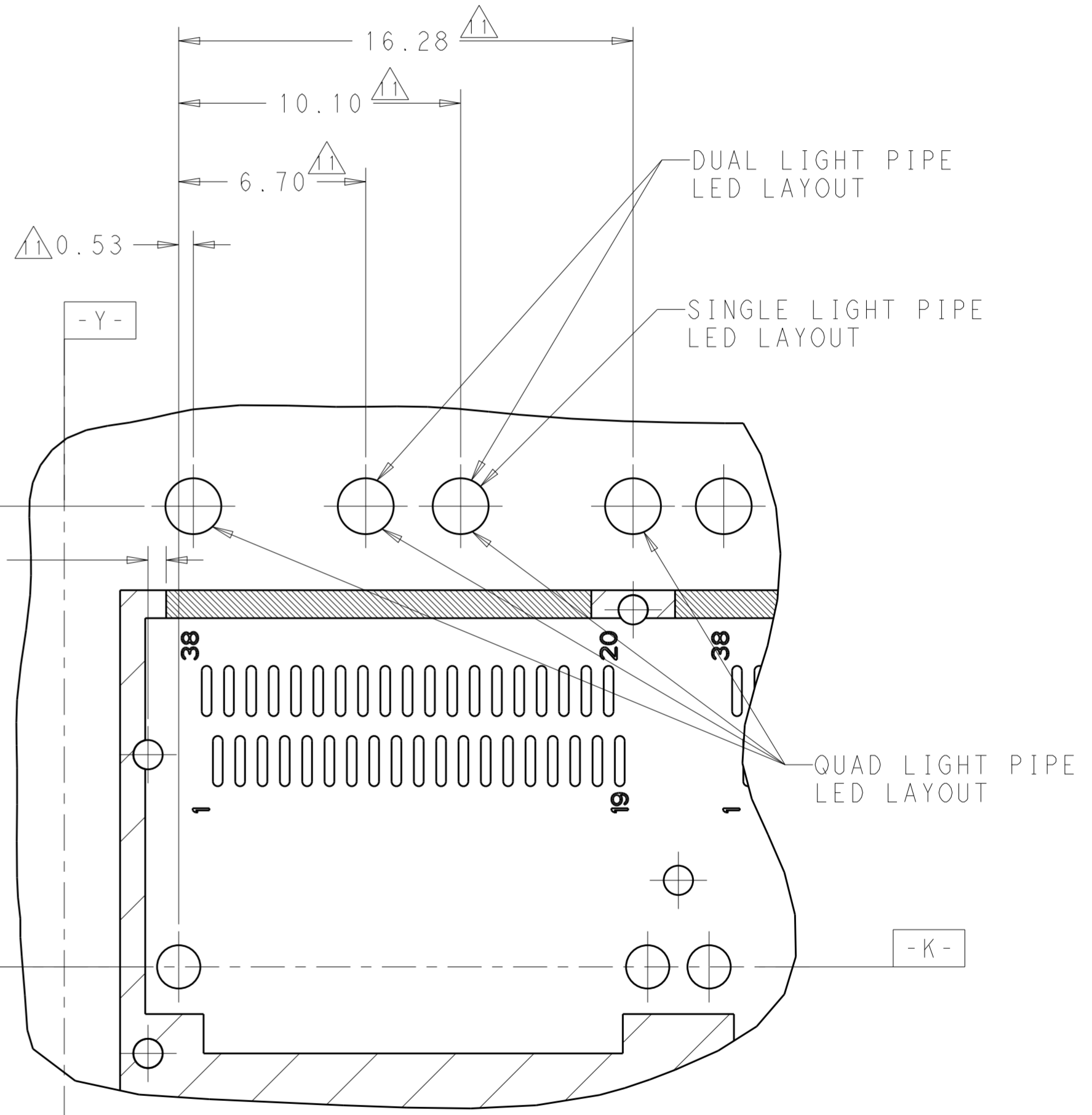
THIS DRAWING IS A CONTROLLED DOCUMENT.		DWN JASON YANG 04 JUN 2014	 TE Connectivity
		CHK SEAN HAN 07 JUN 2014	
DIMENSIONS:	TOLERANCES UNLESS OTHERWISE SPECIFIED:	APVD	NAME
mm	0 PLC ± 1 PLC ±0.25 2 PLC ±0.2 3 PLC ± 4 PLC ±	PRODUCT SPEC	RECEPTACLE CAGE ASSEMBLY WITH HEAT SINKS AND LIGHT PIPES, THRU BEZEL, 1X4, QSFP28, SPRING
	ANGLES ±	APPLICATION SPEC	SIZE CAGE CODE DRAWING NO
MATERIAL	FINISH	WEIGHT	A200779 C-2170747
SEE NOTES	SEE NOTES	CUSTOMER DRAWING	RESTRICTED TO
		SCALE 1:1	SHEET 12 OF 13 REV C

THIS DRAWING IS UNPUBLISHED. RELEASED FOR PUBLICATION 20
 © COPYRIGHT 20 BY - ALL RIGHTS RESERVED.

REVISIONS				
P	LTR	DESCRIPTION	DATE	APVD
-	-	SEE SHEET 1	-	-



DETAIL D
SCALE 3:1



DETAIL E
SCALE 6:1

THIS DRAWING IS A CONTROLLED DOCUMENT.		DWN JASON YANG 04 JUN 2014	STE TE Connectivity
		CHK SEAN HAN 07 JUN 2014	
DIMENSIONS: mm	TOLERANCES UNLESS OTHERWISE SPECIFIED:	APVD -	NAME RECEPTACLE CAGE ASSEMBLY WITH HEAT SINKS AND LIGHT PIPES, THRU BEZEL, 1X4, QSFP28, SPRING
0 PLC ±	1 PLC ±0.25	PRODUCT SPEC 108-19428	SIZE A200779
2 PLC ±0.2	3 PLC ±	APPLICATION SPEC 114-32023	CAGE CODE C-2170747
4 PLC ±	ANGLES ±	WEIGHT -	DRAWING NO -
MATERIAL SEE NOTES	FINISH SEE NOTES	CUSTOMER DRAWING	RESTRICTED TO -
		SCALE 1:1	SHEET 13 OF 13
		REV C	

X-ON Electronics

Largest Supplier of Electrical and Electronic Components

Click to view similar products for [I/O Connectors](#) category:

Click to view products by [TE Connectivity](#) manufacturer:

Other Similar products are found below :

[571763P](#) [D20419-211](#) [72.250.1628.2](#) [72.250.2428.2](#) [74720-0505](#) [76.350.0729.0](#) [76871-1403](#) [FCN-244F080-G/1](#) [FCN-260A9920](#) [MP-5T180MUNNA-005](#) [PCR-E36PM](#) [PCS-XE26MA+](#) [G38A71314B](#) [1571250010](#) [157-22500-3](#) [MS3471L14-19P L/C](#) [172501-4002](#) [172501-6002](#) [FCN-260C008-A/L0](#) [FCN-260C024-AL0](#) [FCN-261Z008](#) [2000314-1](#) [200331-1](#) [PCR-E36FC+](#) [PCS-E28FS+](#) [PCS-XE26SLFD+](#) [PCS-XE26SLFDT+](#) [G730VID08BDC24](#) [HDMR-29-01-S-SM-TR](#) [U90B2054081210](#) [UE86K842720321](#) [38113800006](#) [DP3AR020WQ1R200](#) [Z4.102.0680.0](#) [500-1040](#) [500-1052](#) [500-1054](#) [ZP-4008-66L](#) [0709821002](#) [5554841-1](#) [U90B3054061110](#) [U65-E04-4020](#) [ZPF00000000097891](#) [557-262M2-06C](#) [747360449](#) [10099439-003C-TRLF](#) [10137239-0021LF](#) [E9320-001-01](#) [10137239-0011LF](#) [70289-001LF](#)