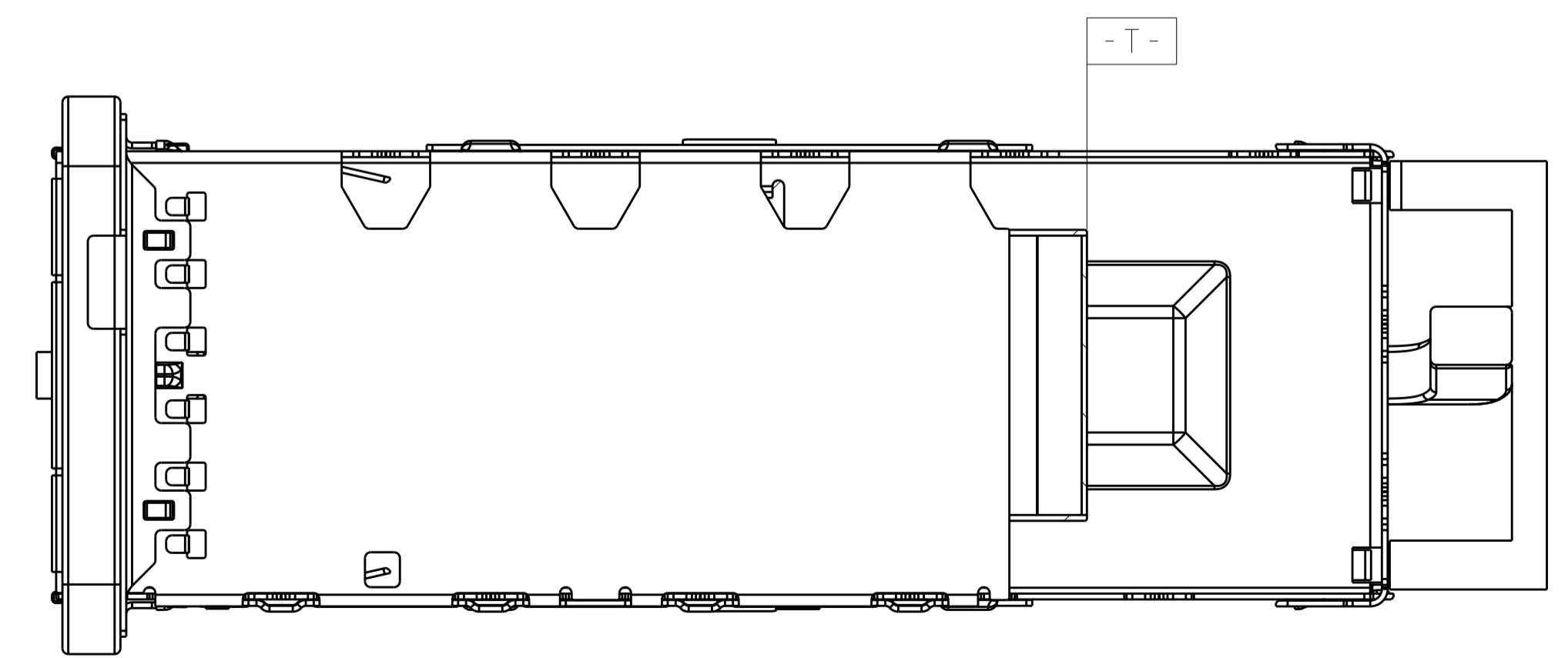
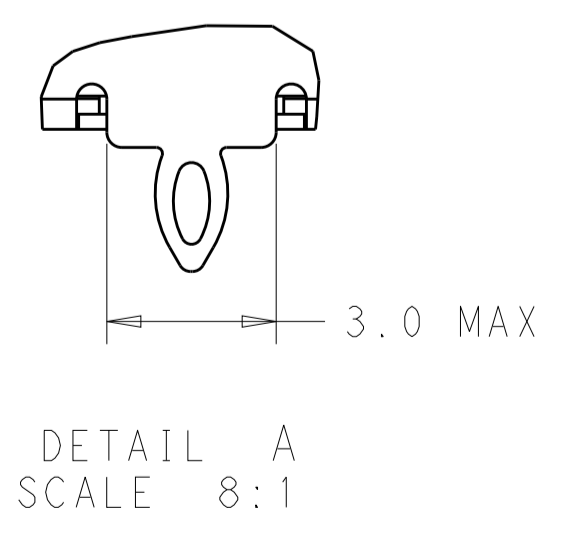
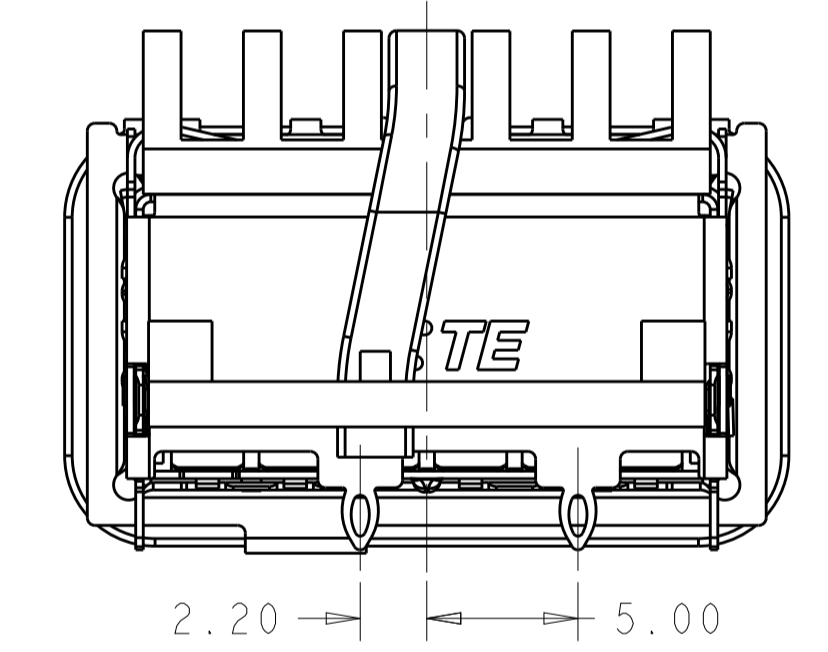
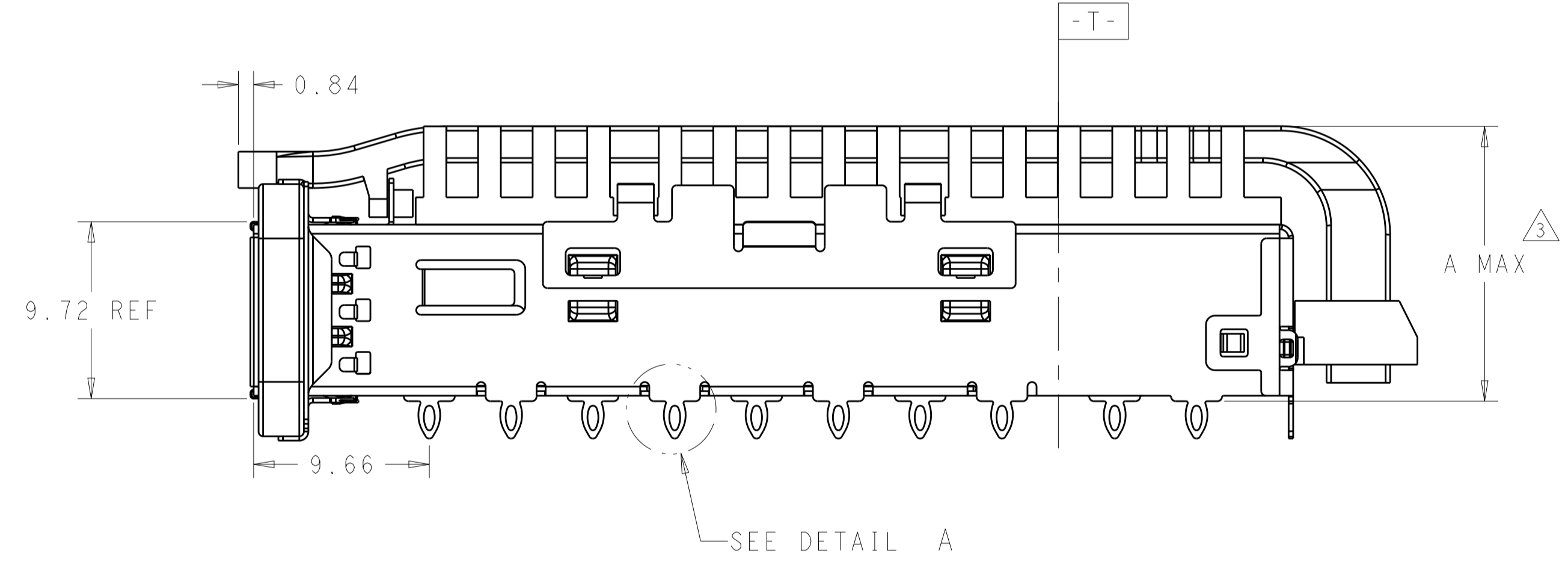
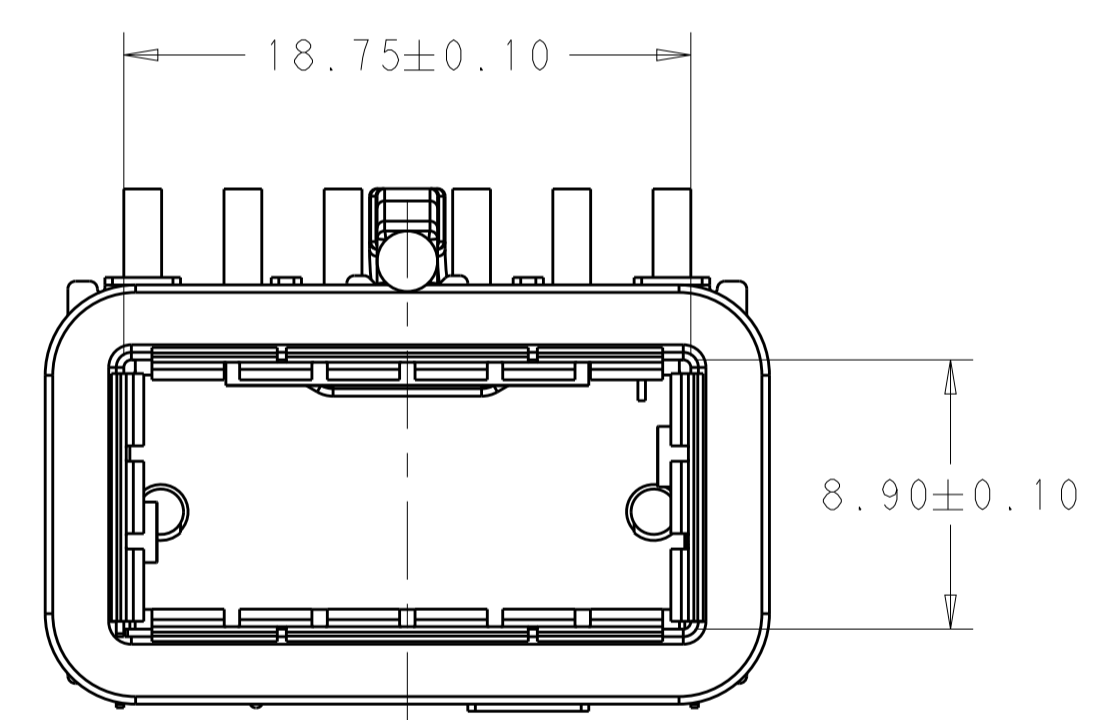
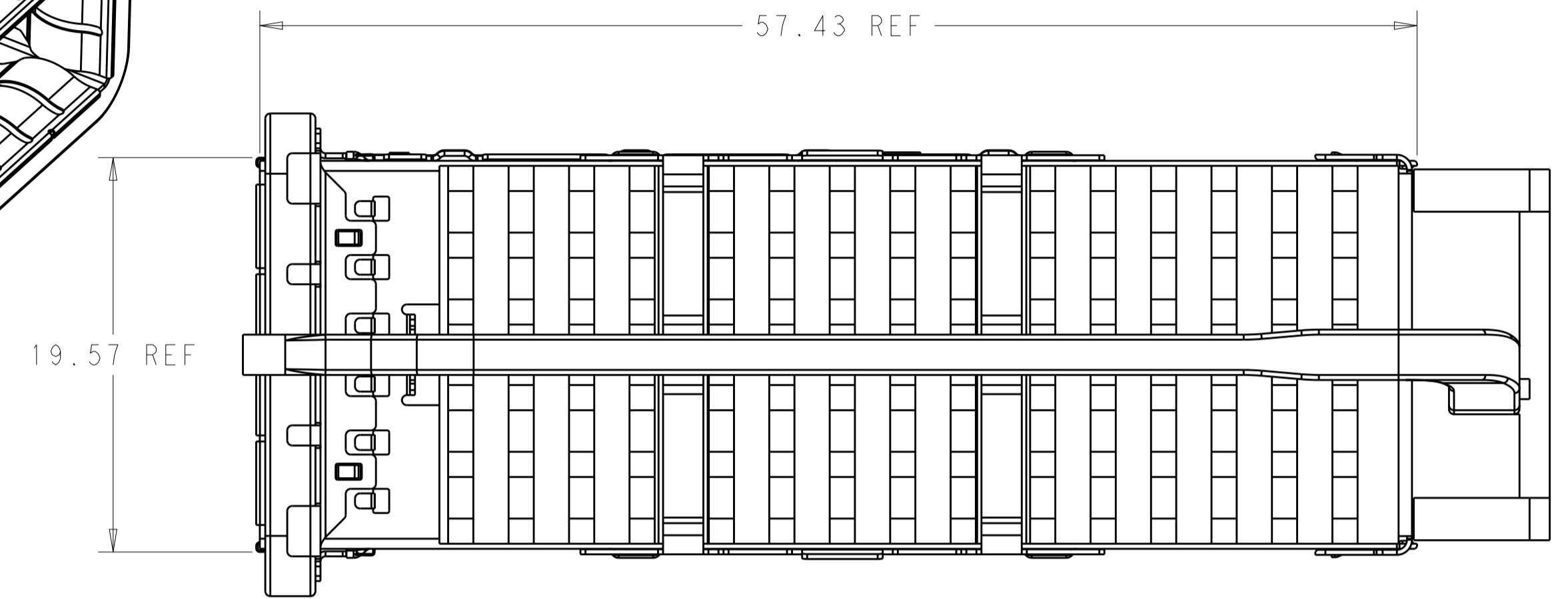
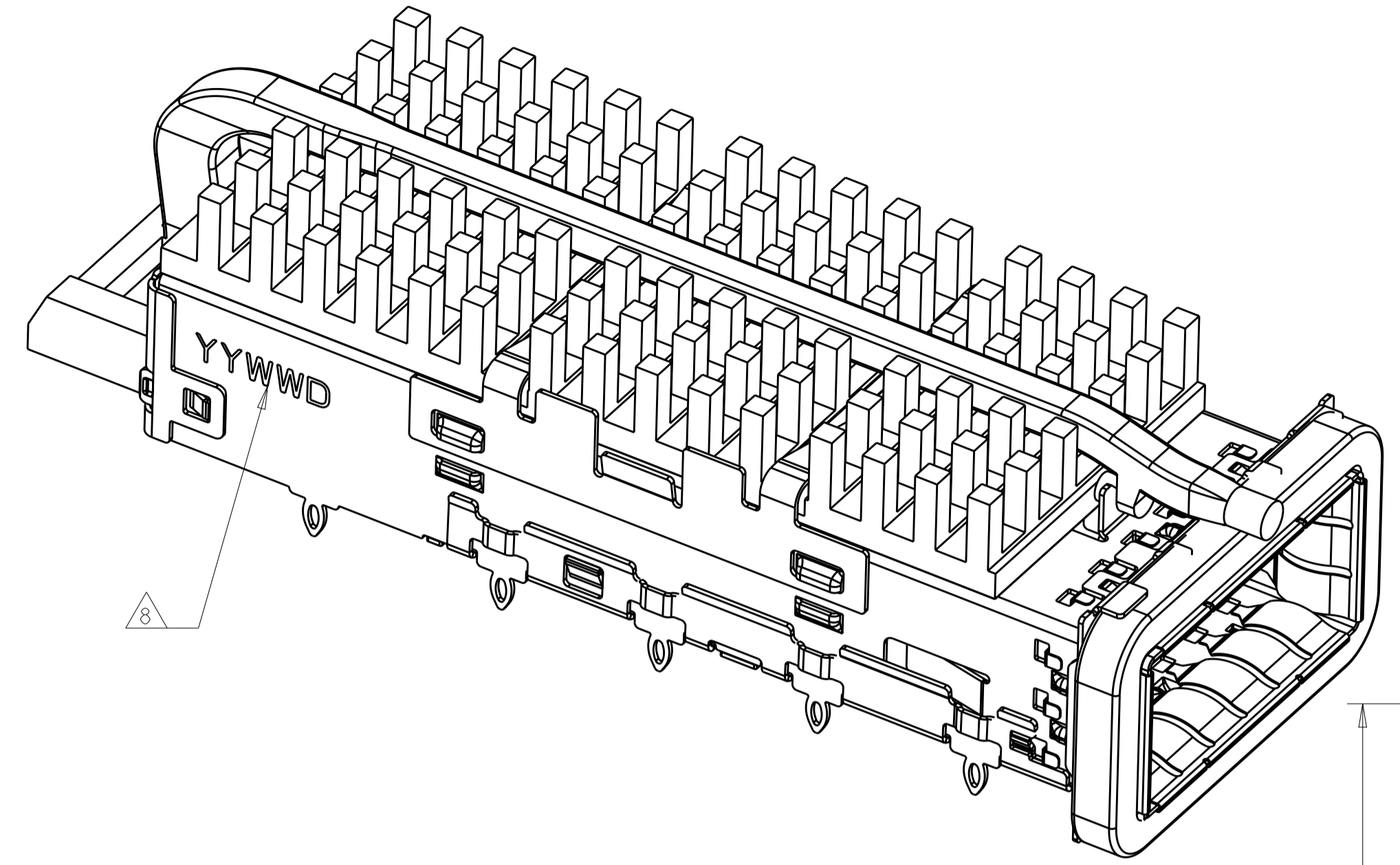


| LOC | DIST | REVISIONS |     |                           |           |     |      |
|-----|------|-----------|-----|---------------------------|-----------|-----|------|
|     |      | P         | LTN | DESCRIPTION               | DATE      | DWN | APVD |
|     |      | A         |     | RELEASE                   | 30DEC2015 | JY  | SH   |
|     |      | B         |     | REVISED PER ECO-19-016043 | 21OCT2019 | SH  | SH   |



1. MATERIAL:  
 CAGE MATERIAL : 0.25 THICK NICKEL SILVER.  
 SPRING MATERIAL : COPPER ALLOY  
 HEAT SINK MATERIAL : ALUMINUM  
 CLIP MATERIAL : STAINLESS STEEL  
 LIGHT PIPE : POLYCARBONATE WITH 94 V-0  
 EMI GASKET : PLATED FILLED SILICONE  
 ORGANIZER MATERIAL : POLYESTER WITH 94 V-0

2. FINISH:  
 SPRING : NICKEL PLATING  
 HEAT SINK : BLACK ANODIZE

3. DIMENSION APPLIES WITH MODULE INSTALLED IN THE CAGE TO TOP OF HEAT SINK.

4. REFERENCE APPLICATION SPEC 114-32023 FOR RECOMMENDED DRILL HOLE DIAMETER AND PLATING THICKNESS.

5. DATUM AND BASIC DIMENSIONS ESTABLISHED BY CUSTOMERS.

6. MINIMUM PC BOARD THICKNESS :  
 SINGLES SIDED : 1.57 MIN  
 DOUBLE SIDED : 3.00 MIN

7. DATUM -A- IS TOP SURFACE OF THE HOST BOARD.

8. DATE CODE (YYWWD) MARKED APPROXIMATELY AS SHOWN

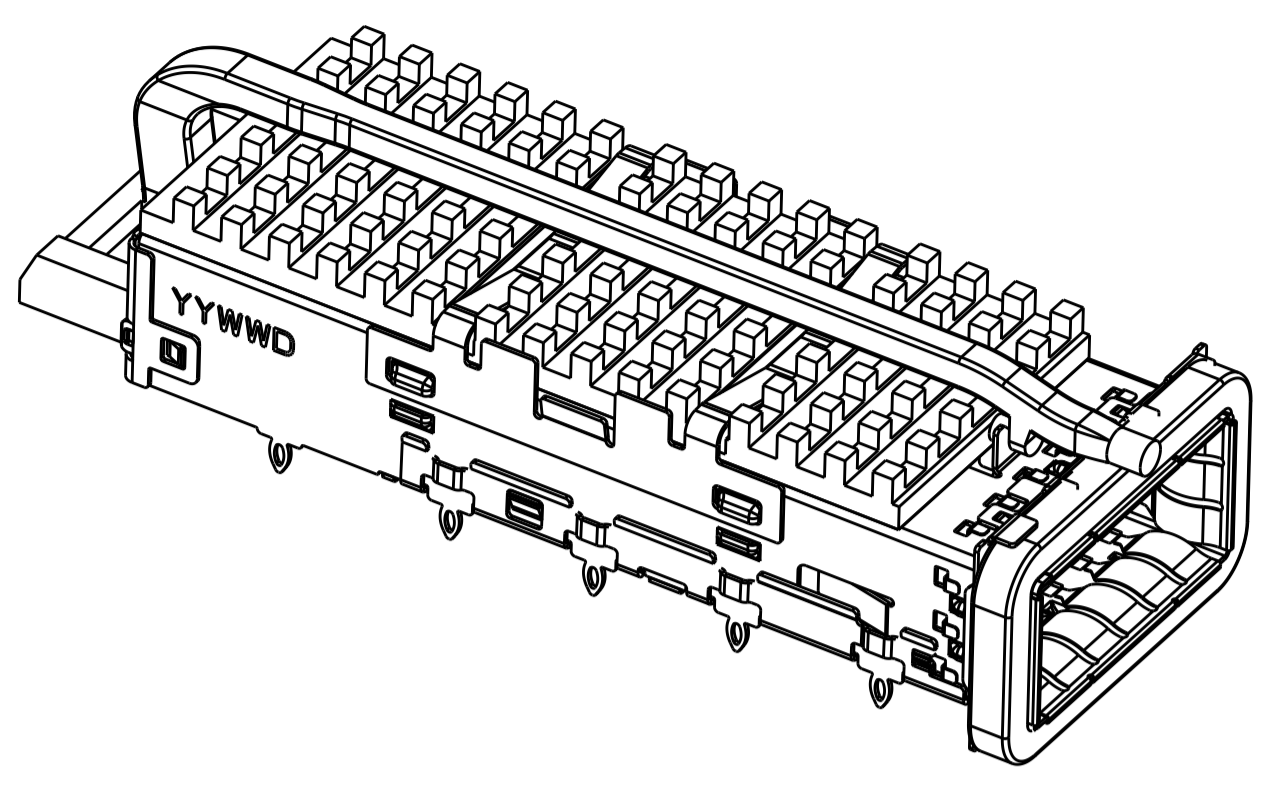
9. MATES WITH QSFP28 MSA COMPATIBLE TRANSCEIVER.

2170754-2 AS SHOWN

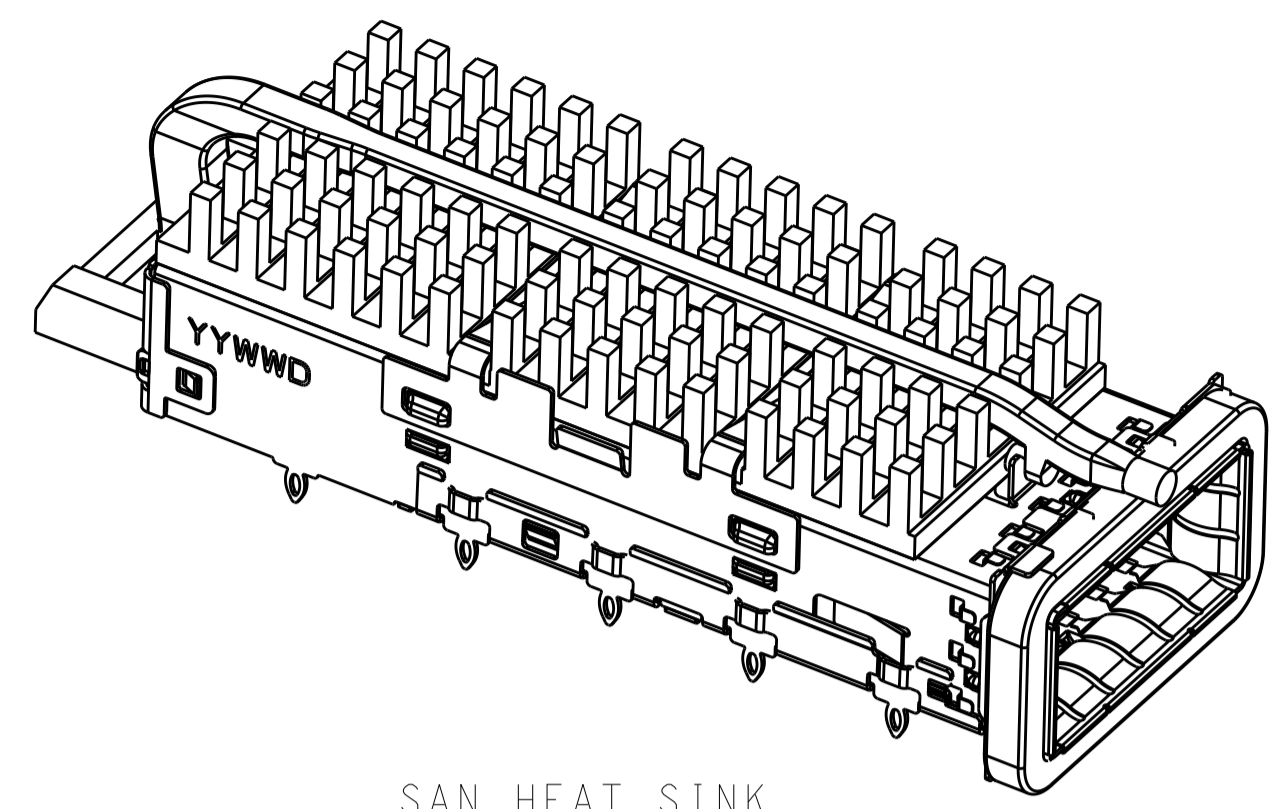
|  |              |  |                  |   |
|--|--------------|--|------------------|---|
| THIS DRAWING IS A CONTROLLED DOCUMENT. |              | DWN: JASON YANG 01APR2014              |                  |   |
|  |              | CHK: SEAN HAN 30DEC2015                |                  |   |
| DIMENSIONS:                            |              | TOLERANCES UNLESS OTHERWISE SPECIFIED: |                  | NAME  |
| mm                                     | 0 PLC ±0.25  | 108-19428                              |                  | CAGE ASSEMBLY, QSFP28 1X1, THRU BEZEL, WITH EMI GASKET, HEAT SINK, LIGHT PIPE |
|  | 1 PLC ±0.25  | 114-32023                              |                  | SIZE  |
|  | 2 PLC ±0.25  |  |                  | A100779C=2170754  |
|  | 3 PLC ±0.25  |  |                  | RESTRICTED TO   |
|  | 4 PLC ±0.100 |  |                  |   |
|  | 5 PLC ±0.100 |  |                  |   |
|  | ANGLES ±°    |  |                  |   |
| MATERIAL                               | FINISH       | WEIGHT                                 | CUSTOMER DRAWING | SCALE 2:1 SHEET 1 OF 7 REV B  |

| LOC |     | DIST        |      | REVISIONS |      |  |  |
|-----|-----|-------------|------|-----------|------|--|--|
| P   | LYR | DESCRIPTION | DATE | OWN       | APVD |  |  |
| -   | -   | SEE SHEET 1 | -    | -         | -    |  |  |

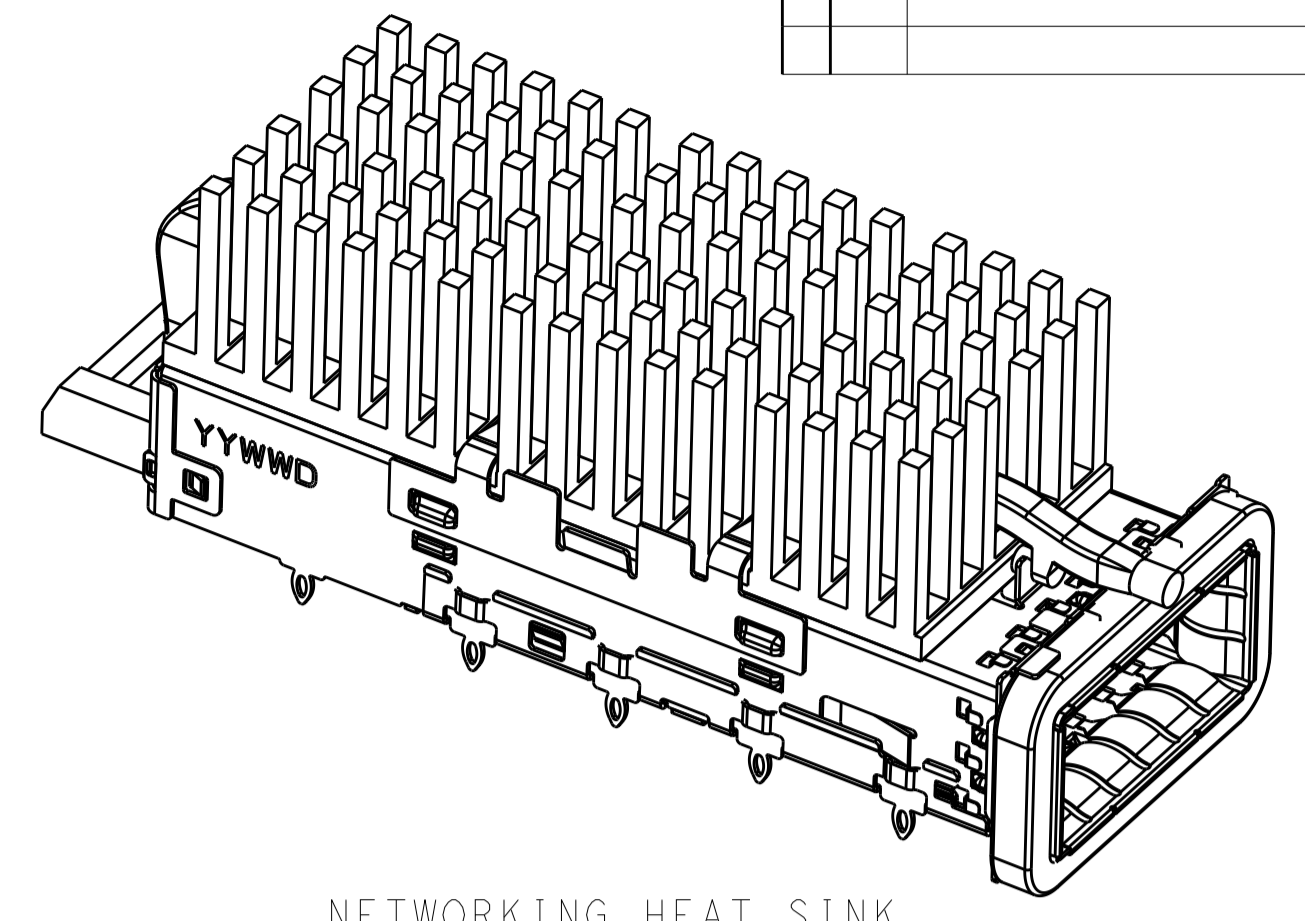
# HEAT SINK OPTIONS



PCI HEAT SINK  
SCALE 5:2

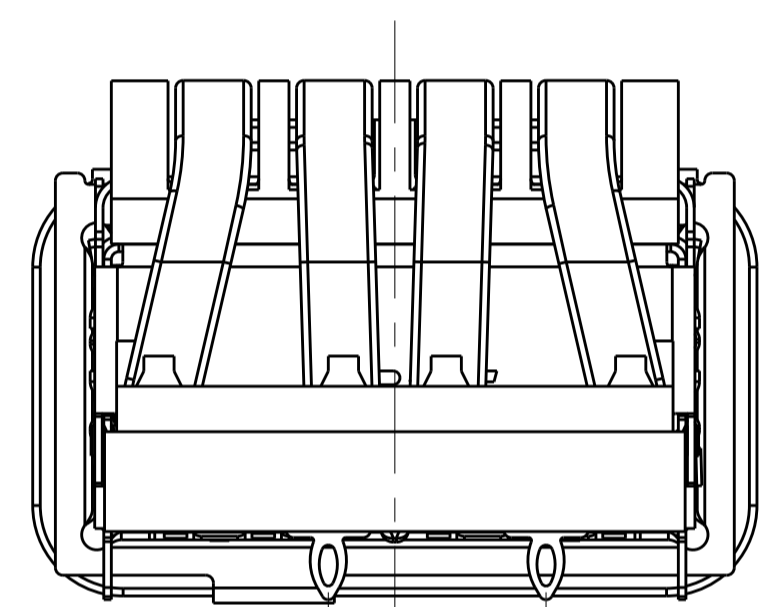


SAN HEAT SINK  
SCALE 5:2



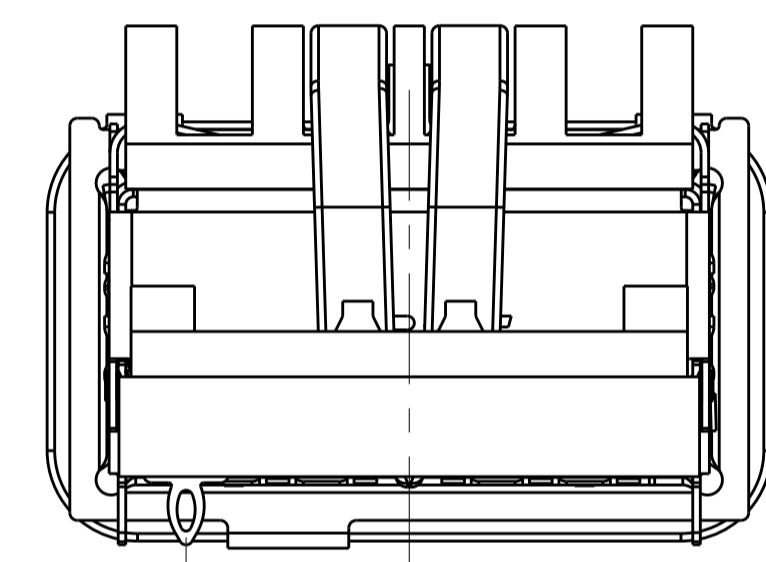
NETWORKING HEAT SINK  
SCALE 5:2

# # OF REAR LEGS OPTIONS



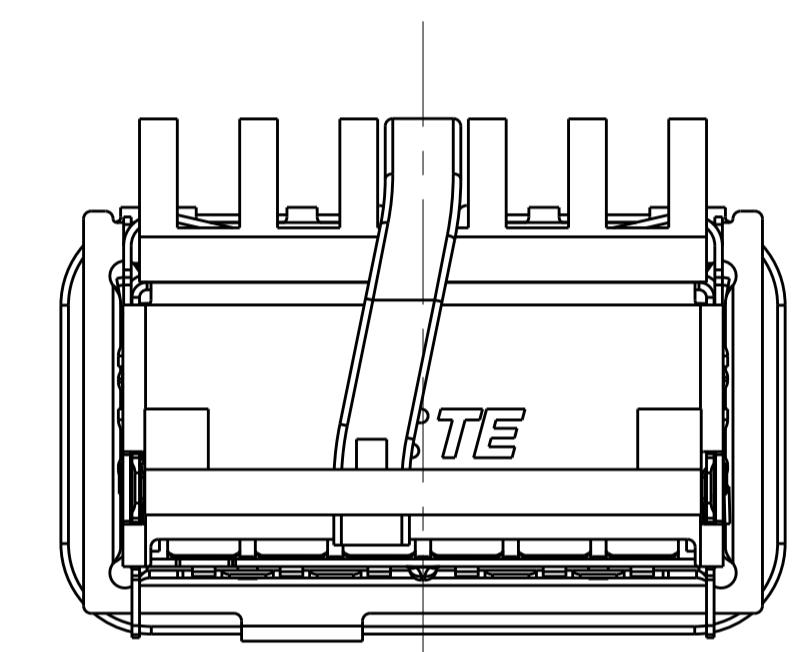
(2.20) (5.00)

2 REAR LEGS  
SCALE 4:1



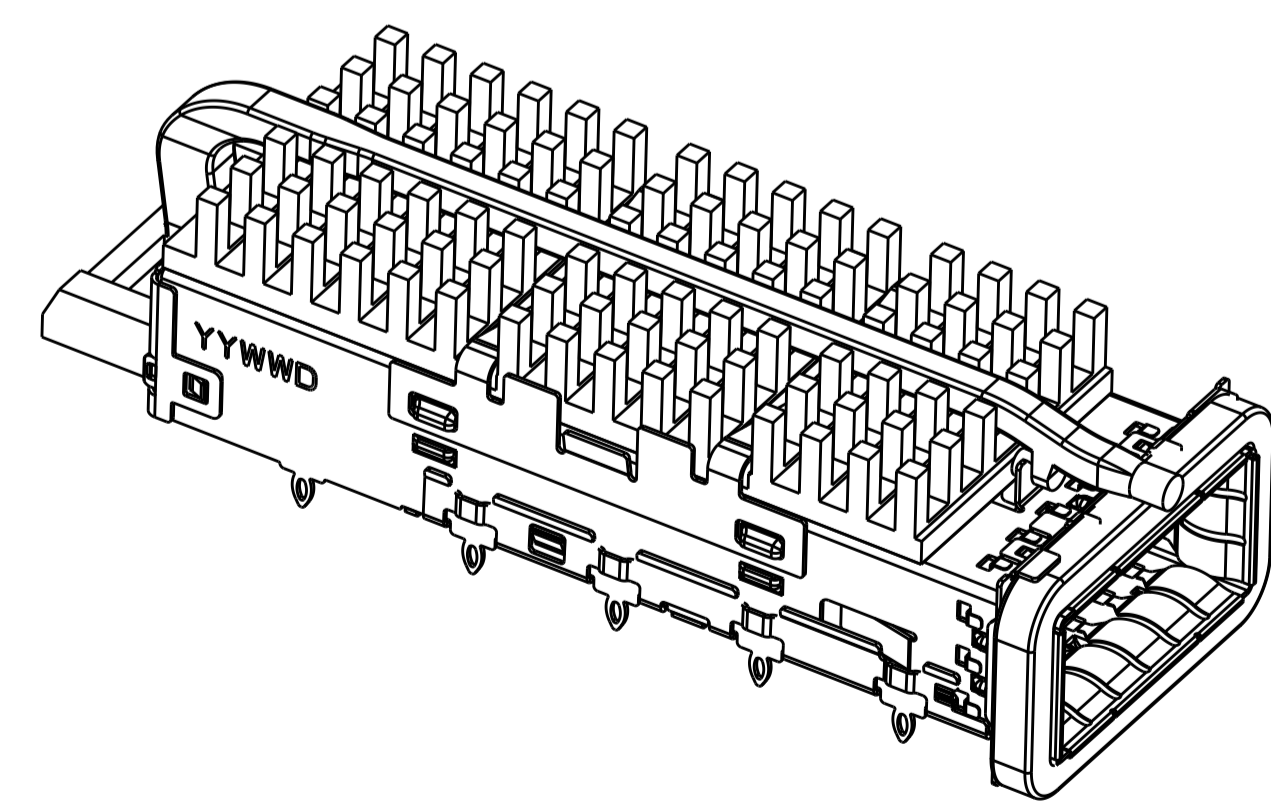
7.38

1 REAR LEG  
SCALE 4:1

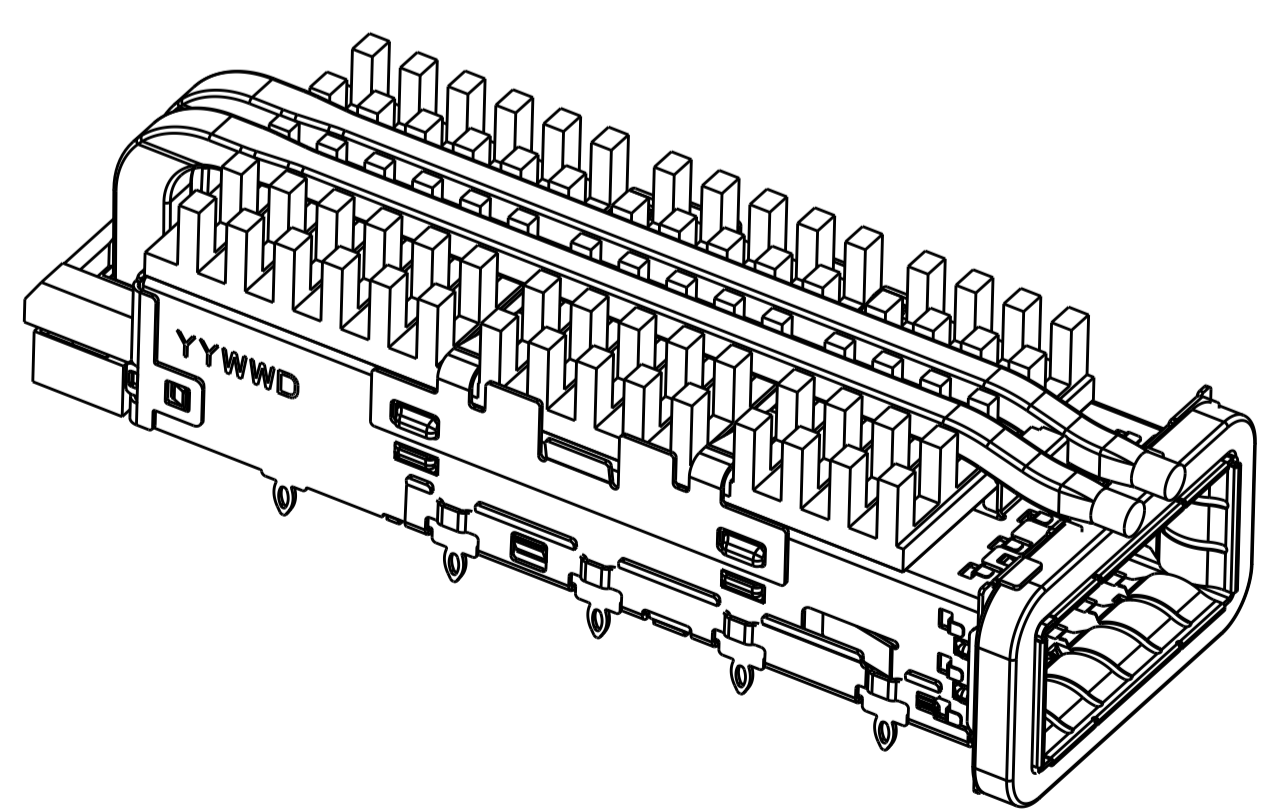


0 REAR LEG  
SCALE 4:1

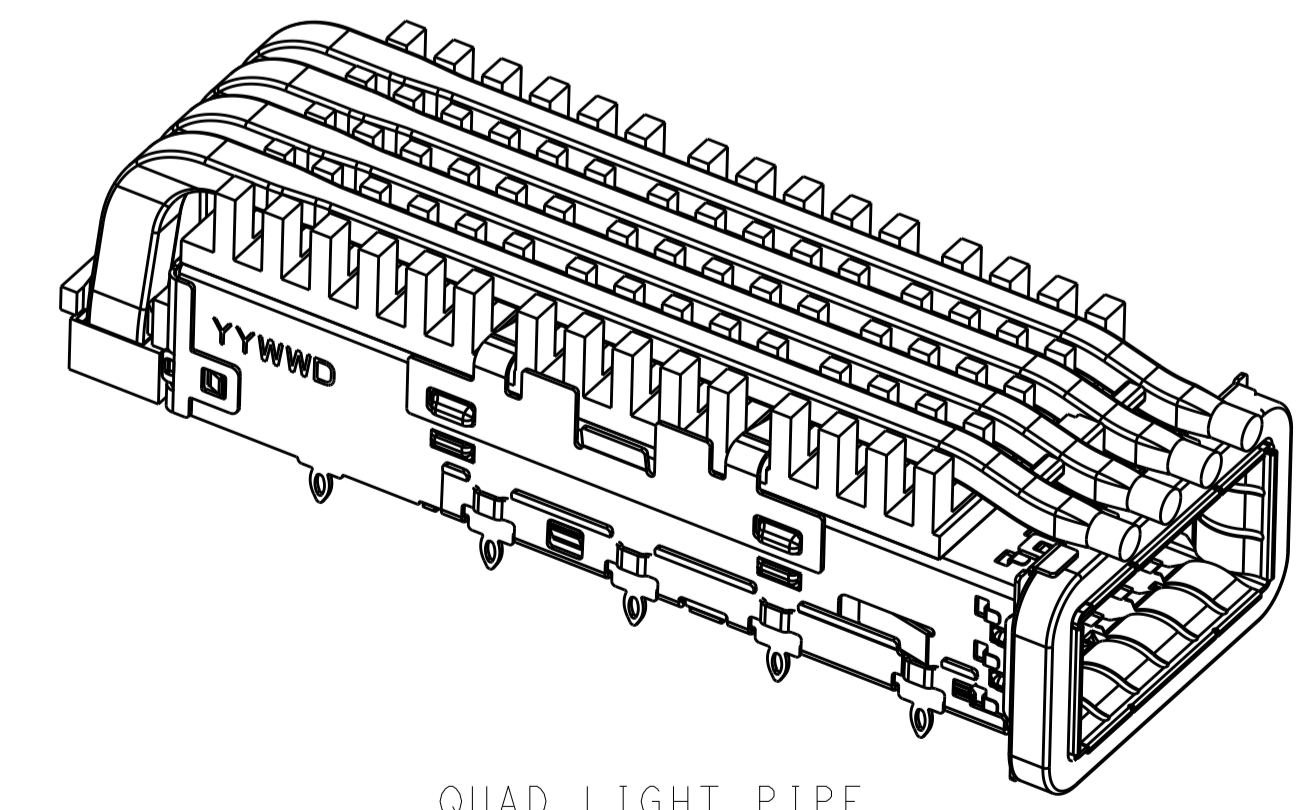
# LIGHT PIPE OPTIONS



SINGLE LIGHT PIPE  
SCALE 5:2



DUAL LIGHT PIPE  
SCALE 5:2




QUAD LIGHT PIPE  
SCALE 5:2

|  |             |                             |  |
|--|-------------|-----------------------------|--|
| THIS DRAWING IS A CONTROLLED DOCUMENT. |             | OWN: JASON YANG 01APR2014   |  |
| DIMENSIONS: mm                         |             | CHK: SEAN HAN 30DEC2015     |  |
| TOLERANCES UNLESS OTHERWISE SPECIFIED: |             | APVD:                       | NAME: CAGE ASSEMBLY, QSFP28 1X1, THRU BEZEL, WITH EMI GASKET HEAT SINK, LIGHT PIPE |
| 0 PLC ±0.25                            | 1 PLC ±0.25 | PRODUCT SPEC: 108-19428     | SIZE: A1   |
| 2 PLC ±0.25                            | 3 PLC ±0.25 | APPLICATION SPEC: 114-32023 | CAGE CODE: C=2170754   |
| 4 PLC ±0.100                           | ANGLES ±°   | WEIGHT:                     | RESTRICTED TO: -   |
| MATERIAL:                              | FINISH:     | Customer Drawing            | SCALE: 4:1 SHEET 2 OF 7 REV B  |

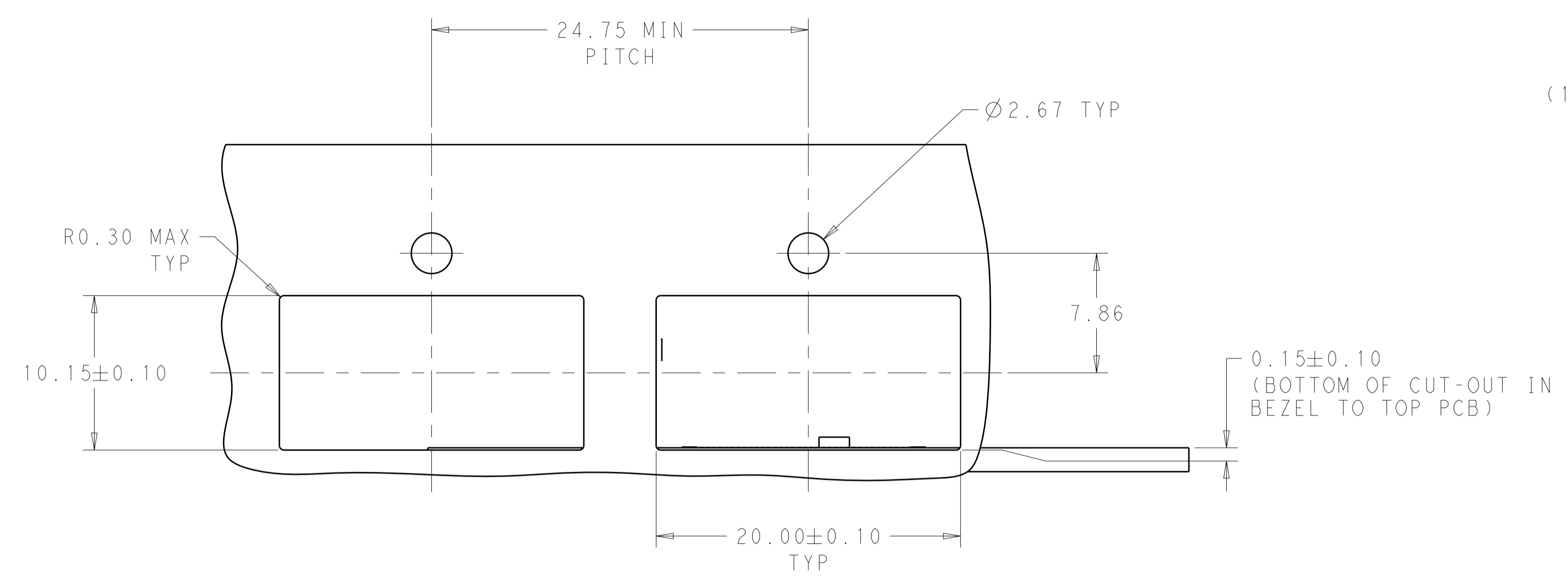
THIS DRAWING IS UNPUBLISHED. RELEASED FOR PUBLICATION  
 © COPYRIGHT copyright.d81e- ALL RIGHTS RESERVED.

| LOC | DIST | REVISIONS   |      |     |      |
|-----|------|-------------|------|-----|------|
| P   | LTN  | DESCRIPTION | DATE | OWN | APVD |
| -   | -    | SEE SHEET 1 | -    | -   | -    |
|     |      |             |      |     |      |
|     |      |             |      |     |      |

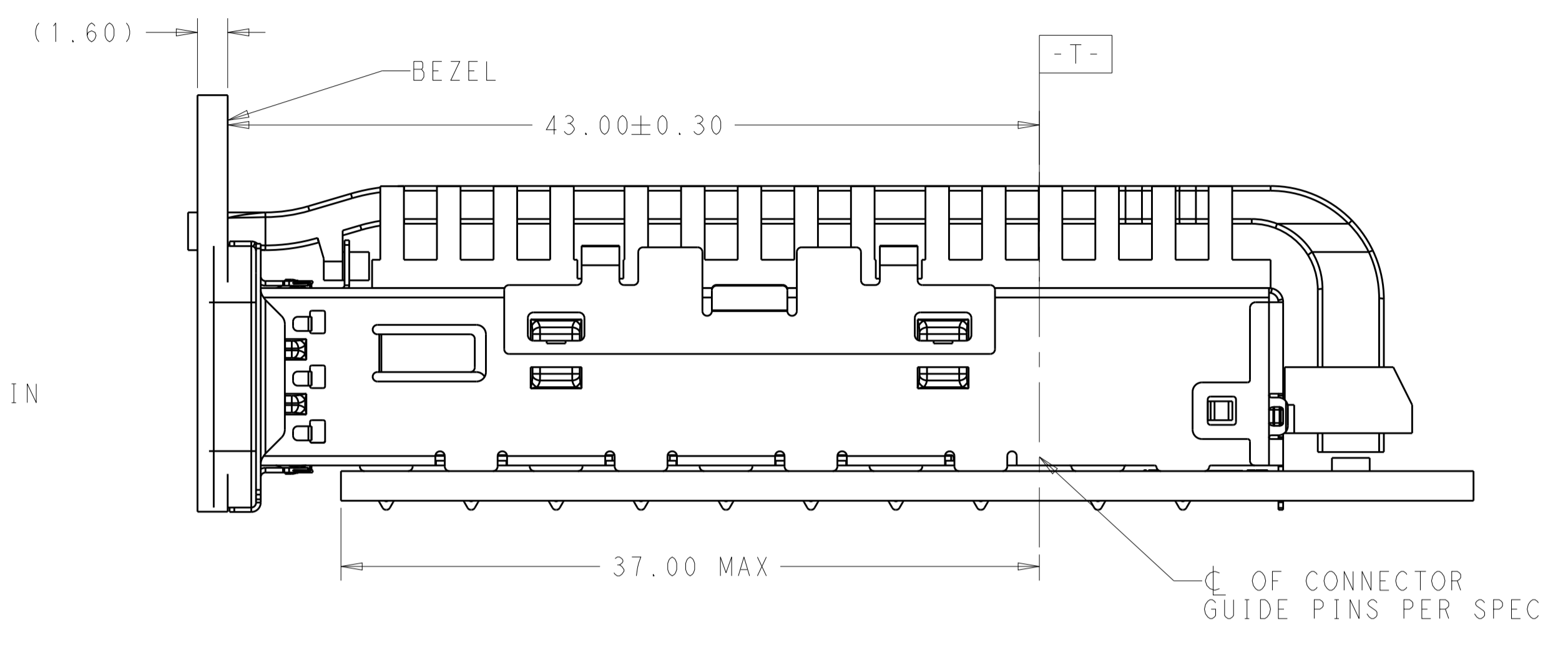
|             |       |                                   |                   |                |
|-------------|-------|-----------------------------------|-------------------|----------------|
| 0           | 16.0  | WITHOUT                           | SINGLE            | 1-2170754-0    |
| 1           | 23.0  | NETWORKING                        | QUAD              | 4-2170754-9    |
| 1           | 16.0  | SAN                               | QUAD              | 4-2170754-8    |
| 1           | 13.7  | PCI                               | QUAD              | 4-2170754-7    |
| 0           | 23.0  | NETWORKING                        | QUAD              | 4-2170754-6    |
| 0           | 16.0  | SAN                               | QUAD              | 4-2170754-5    |
| 0           | 13.7  | PCI                               | QUAD              | 4-2170754-4    |
| 2           | 23.0  | NETWORKING                        | QUAD              | 4-2170754-3    |
| 2           | 16.0  | SAN                               | QUAD              | 4-2170754-2    |
| 2           | 13.7  | PCI                               | QUAD              | 4-2170754-1    |
| 1           | 23.0  | NETWORKING                        | DUAL              | 2-2170754-9    |
| 1           | 16.0  | SAN                               | DUAL              | 2-2170754-8    |
| 1           | 13.7  | PCI                               | DUAL              | 2-2170754-7    |
| 0           | 23.0  | NETWORKING                        | DUAL              | 2-2170754-6    |
| 0           | 16.0  | SAN                               | DUAL              | 2-2170754-5    |
| 0           | 13.7  | PCI                               | DUAL              | 2-2170754-4    |
| 2           | 23.0  | NETWORKING                        | DUAL              | 2-2170754-3    |
| 2           | 16.0  | SAN                               | DUAL              | 2-2170754-2    |
| 2           | 13.7  | PCI                               | DUAL              | 2-2170754-1    |
| 1           | 23.0  | NETWORKING                        | SINGLE            | 2170754-9      |
| 1           | 16.0  | SAN                               | SINGLE            | 2170754-8      |
| 1           | 13.7  | PCI                               | SINGLE            | 2170754-7      |
| 0           | 23.0  | NETWORKING                        | SINGLE            | 2170754-6      |
| 0           | 16.0  | SAN                               | SINGLESINGLE      | 2170754-5      |
| 0           | 13.7  | PCI                               | SINGLE            | 2170754-4      |
| 2           | 23.0  | NETWORKING                        | SINGLE            | 2170754-3      |
| 2           | 16.0  | SAN                               | SINGLE            | 2170754-2      |
| 2           | 13.7  | PCI                               | SINGLE            | 2170754-1      |
| # REAR PINS | DIM A | APPLICATION<br>(HEAT SINK OPTION) | LIGHT PIPE OPTION | PART<br>NUMBER |

|  |  |  |   |
|--|--|--|---|
| THIS DRAWING IS A CONTROLLED DOCUMENT. |  | OWN: JASON YANG 01APR2014  |  TE Connectivity |
|  |  | CHK: SEAN HAN 30DEC2015  |   |
| DIMENSIONS:                            |  | NAME: CAGE ASSEMBLY, QSFP28 1X1, THRU BEZEL, WITH EMI GASKET HEAT SINK, LIGHT PIPE |   |
| TOLERANCES UNLESS OTHERWISE SPECIFIED: |  | PRODUCT SPEC: 108-19428  |   |
| mm                                     |  | APPLICATION SPEC:  |   |
| 0 PLC ±0.25                            |  | SIZE: 114-32023  |   |
| 1 PLC ±0.25                            |  | CAGE CODE: A100779   |   |
| 2 PLC ±0.20                            |  | DRAWING NO: C=2170754  |   |
| 3 PLC ±0.100                           |  | RESTRICTED TO:   |   |
| 4 PLC ±                                |  | Customer Drawing   |   |
| ANGLES                                 |  | SCALE: 4:1   |   |
| FINISH                                 |  | SHEET: 3 OF 7  |   |
| MATERIAL                               |  | REV: B   |   |
|  |  |  |   |

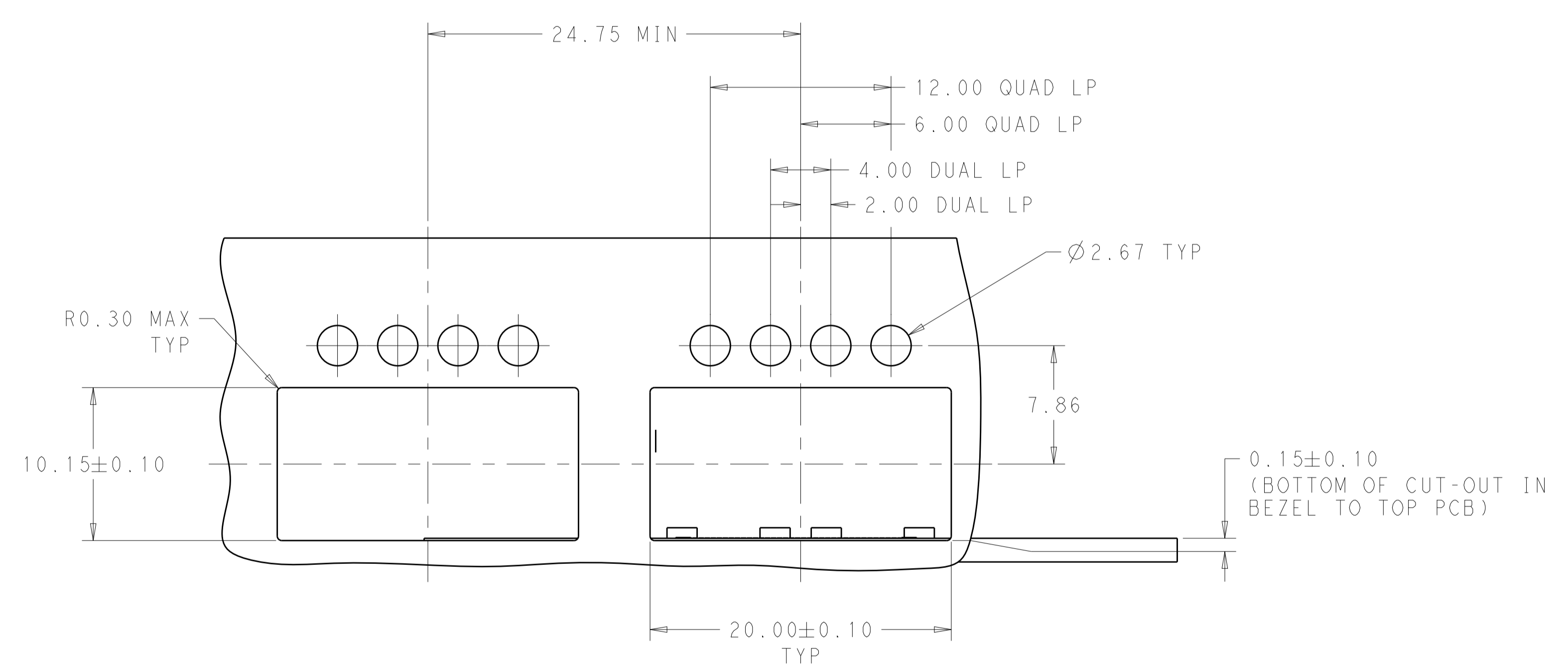
| LOC |     | DIST        |      | REVISIONS |      |  |  |
|-----|-----|-------------|------|-----------|------|--|--|
| P   | LTN | DESCRIPTION | DATE | DWN       | APVD |  |  |
| -   | -   | SEE SHEET 1 | -    | -         | -    |  |  |



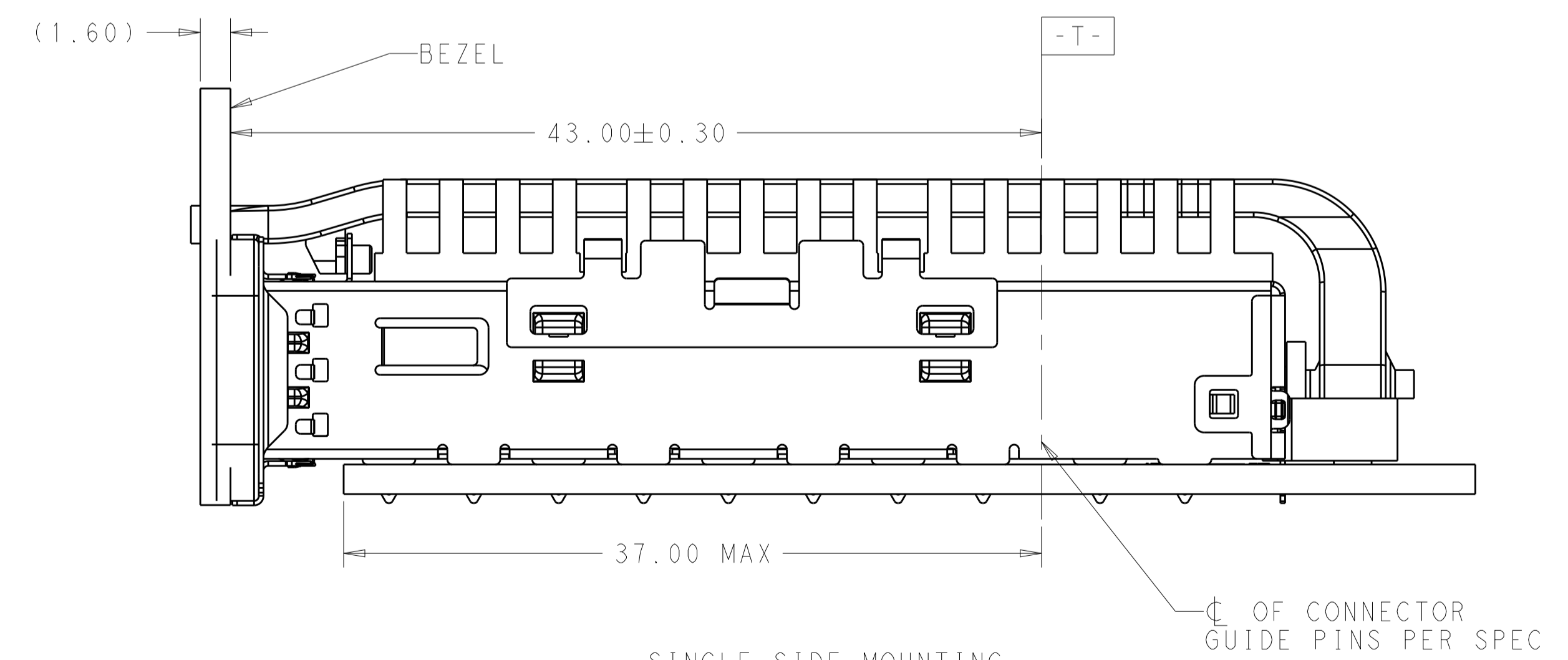
SINGLE LIGHT PIPE TYPE



SINGLE SIDE MOUNTING  
SCALE 4:1



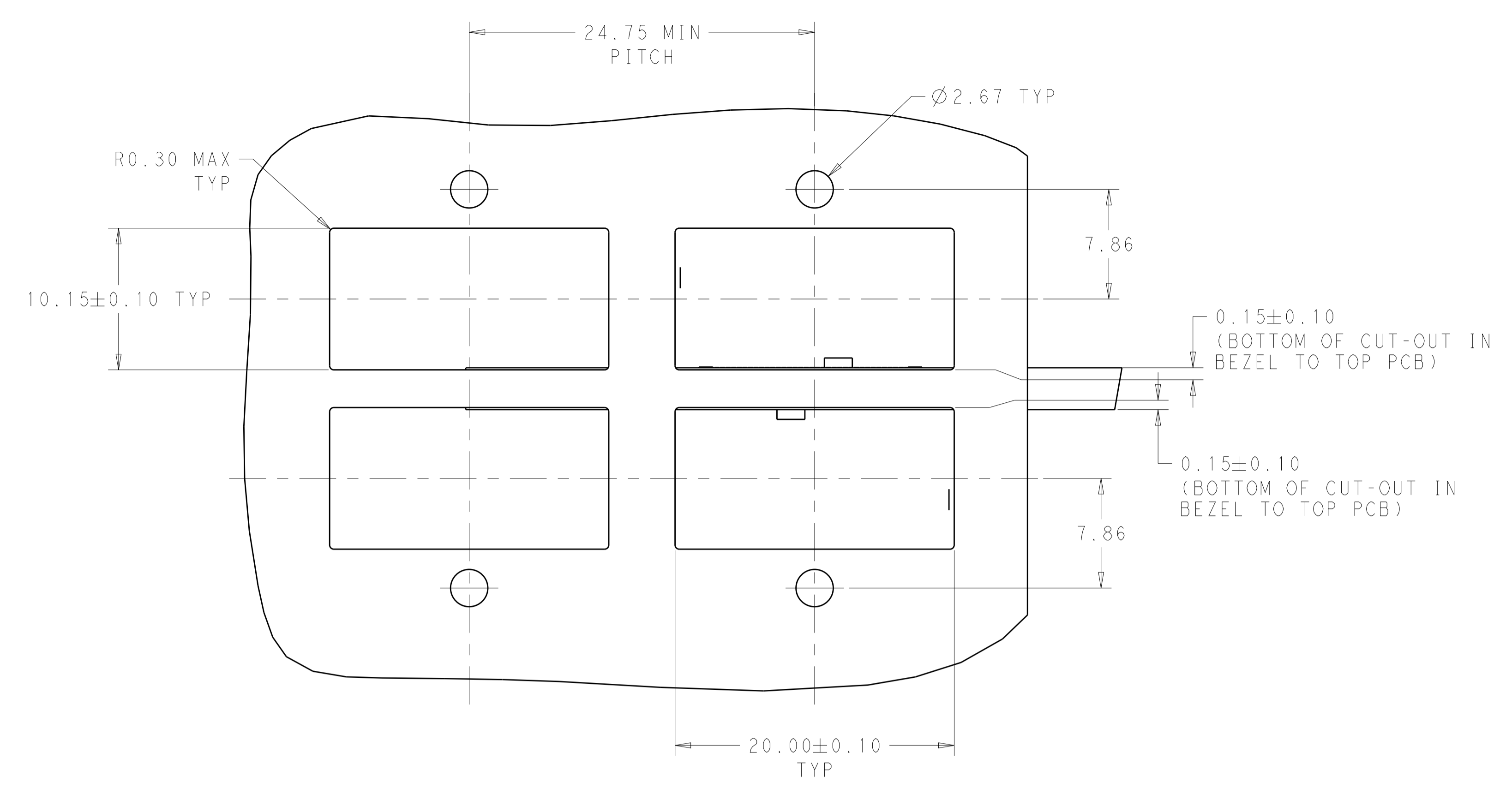
DUAL/QUAD LIGHT PIPE TYPE



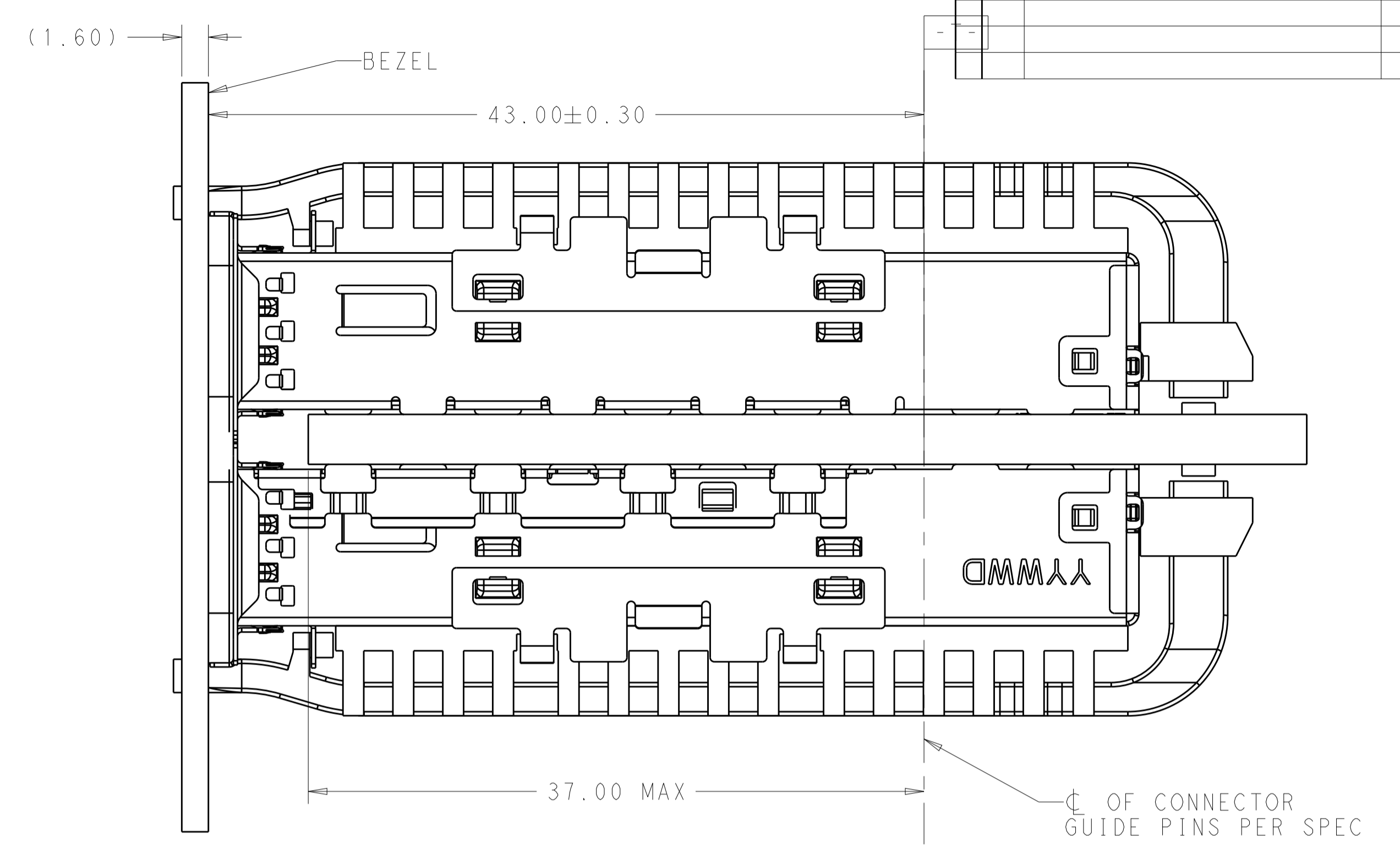
SINGLE SIDE MOUNTING  
SCALE 4:1

|  |        |                           |  |
|--|--------|---------------------------|--|
| THIS DRAWING IS A CONTROLLED DOCUMENT. |        | DWN: JASON YANG 01APR2014 | <br>TE Connectivity  |
| DIMENSIONS: mm                         |        | CHK: SEAN HAN 30DEC2015   |  |
| TOLERANCES UNLESS OTHERWISE SPECIFIED: |        | APVD: -                   | NAME: CAGE ASSEMBLY, QSFP28 1X1, THRU BEZEL, WITH EMI GASKET HEAT SINK, LIGHT PIPE |
| 0 PLC                                  | ±0.25  | PRODUCT SPEC              | SIZE: A1   |
| 1 PLC                                  | ±0.25  | 108-19428                 | CAGE CODE: 114-32023   |
| 2 PLC                                  | ±0.20  | APPLICATION SPEC          | DRAWING NO: 2170754  |
| 3 PLC                                  | ±0.100 |                           | RESTRICTED TO: -   |
| 4 PLC                                  | ±      |                           | SCALE: 4:1   |
| ANGLES                                 | ±      |                           | SHEET: 4 OF 7  |
| MATERIAL: -                            |        | WEIGHT: -                 | REV: B   |
| FINISH: -                              |        | Customer Drawing          |  |

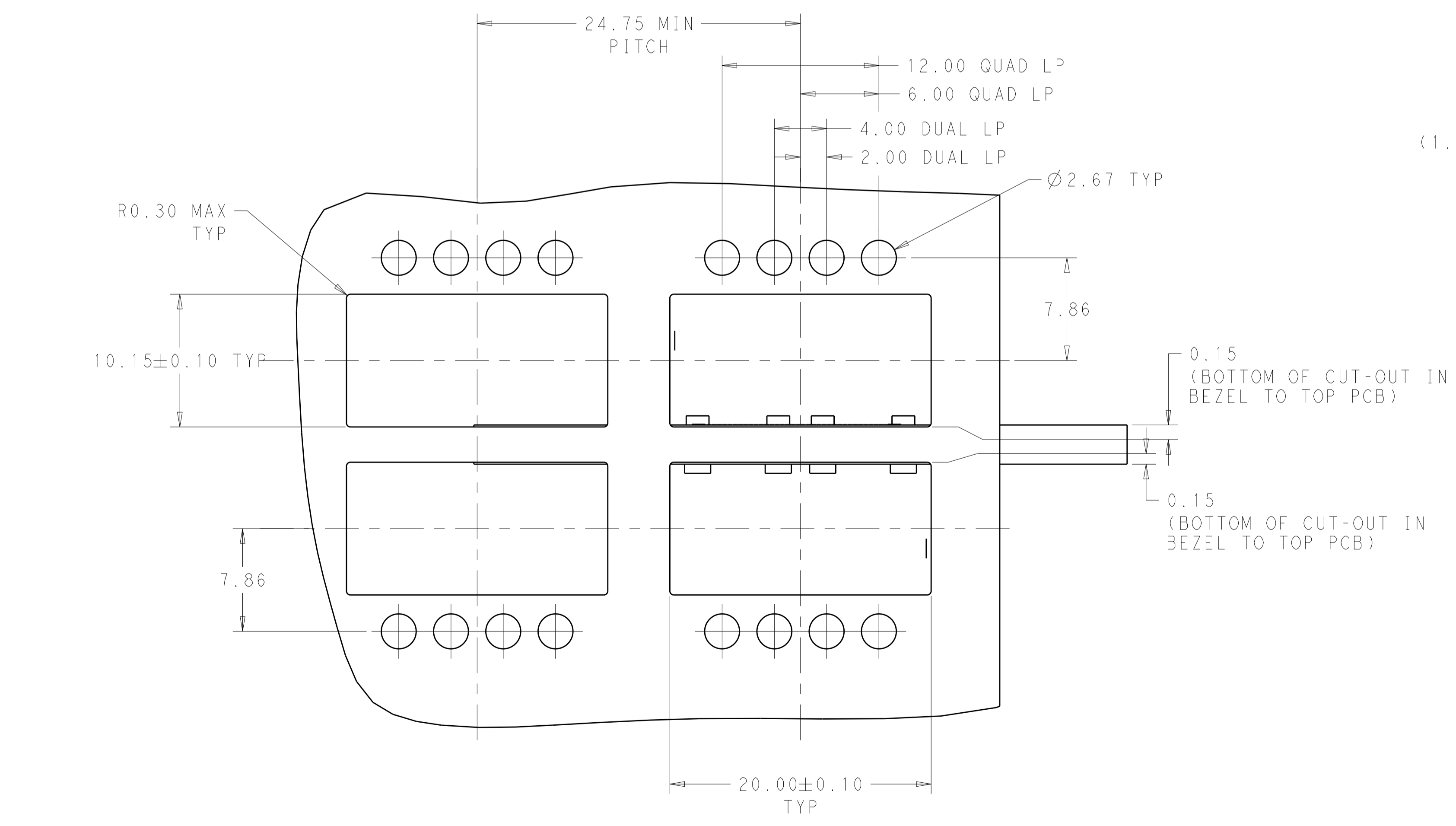
| LOC | DIST | REV | DATE | BY | APPV |
|-----|------|-----|------|----|------|
|     |      | 1   |      |    |      |



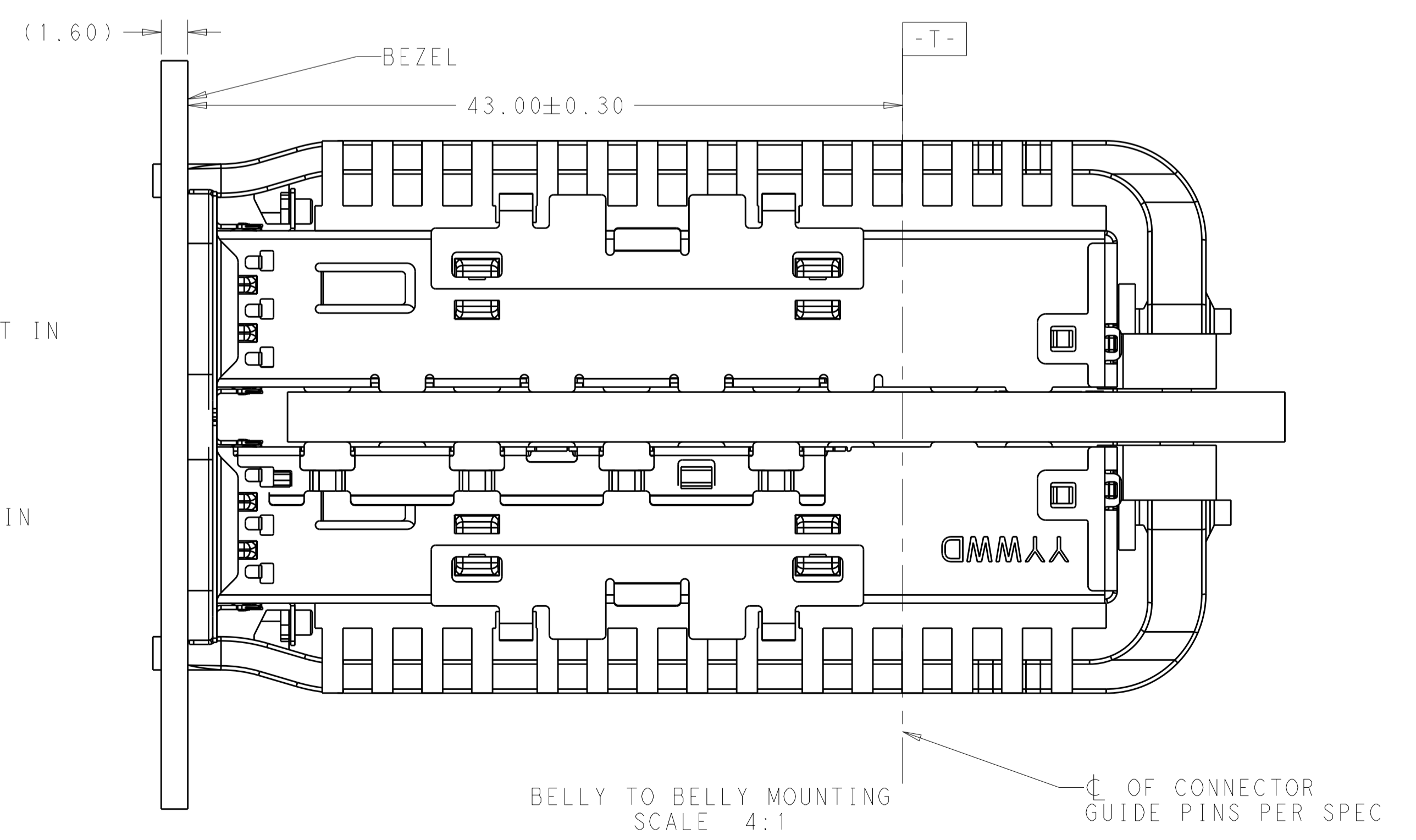
SINGLE LIGHT PIPE TYPE



BELLY TO BELLY MOUNTING  
SCALE 4:1



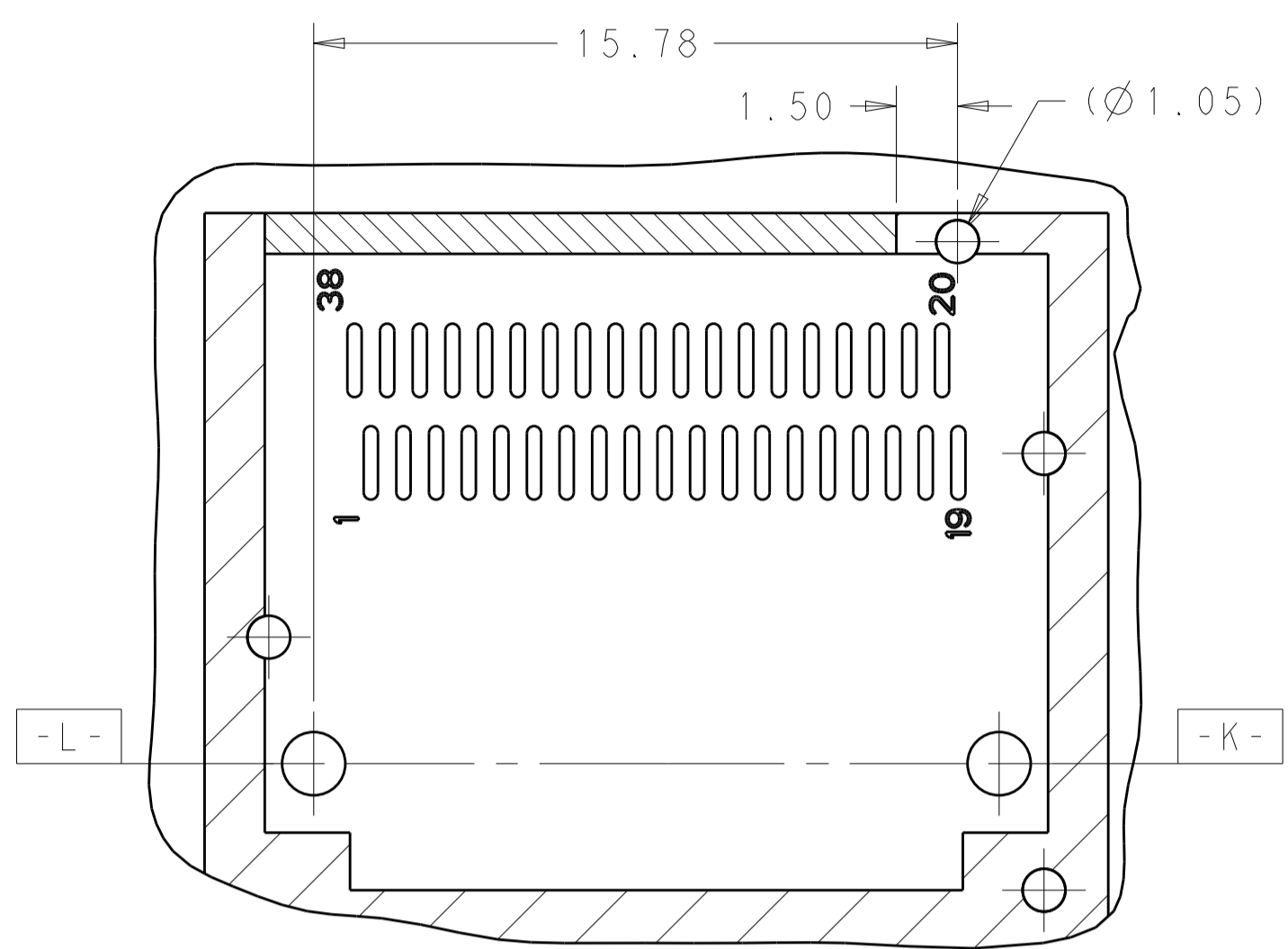
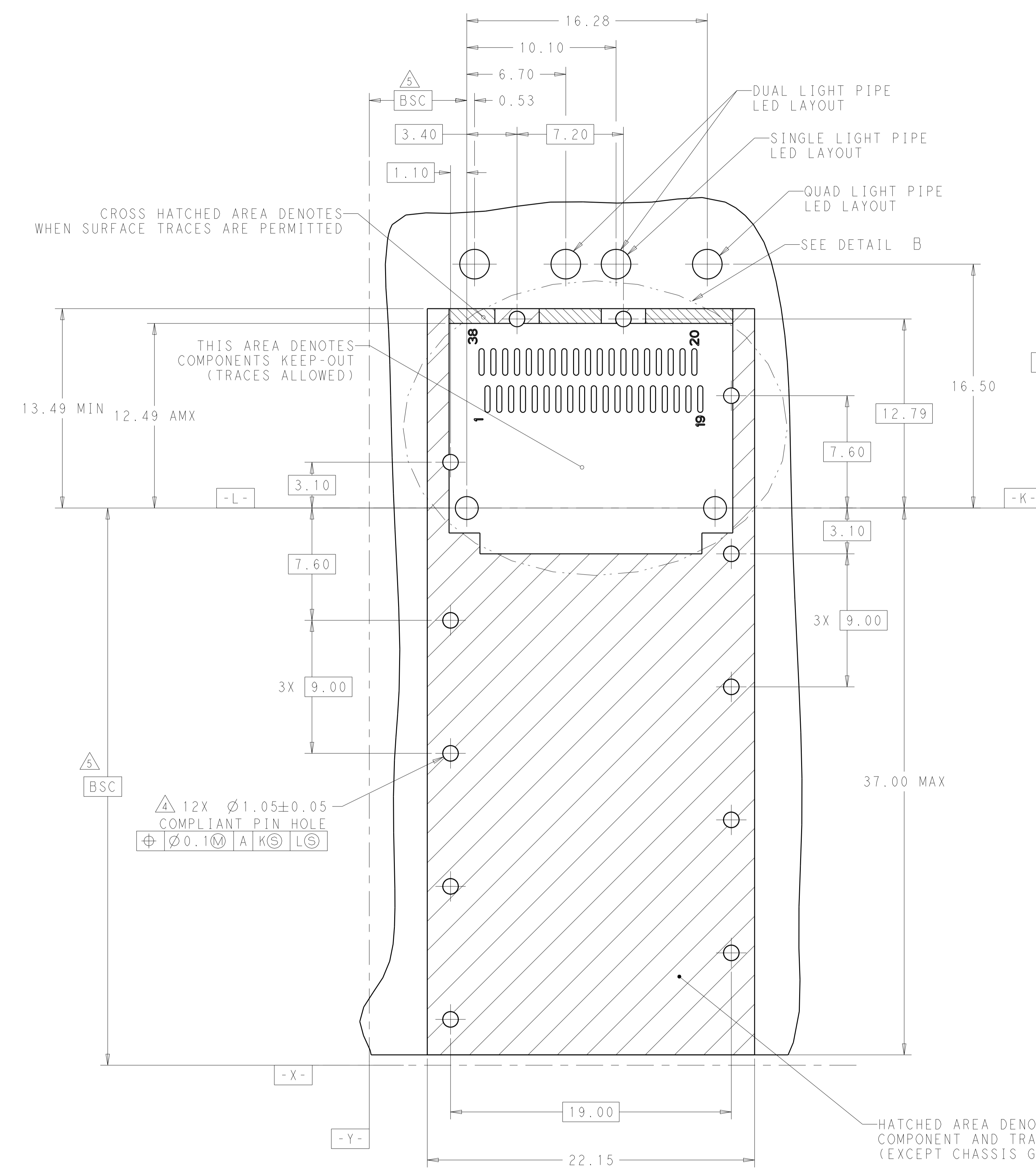
DUAL/QUAD LIGHT PIPE TYPE



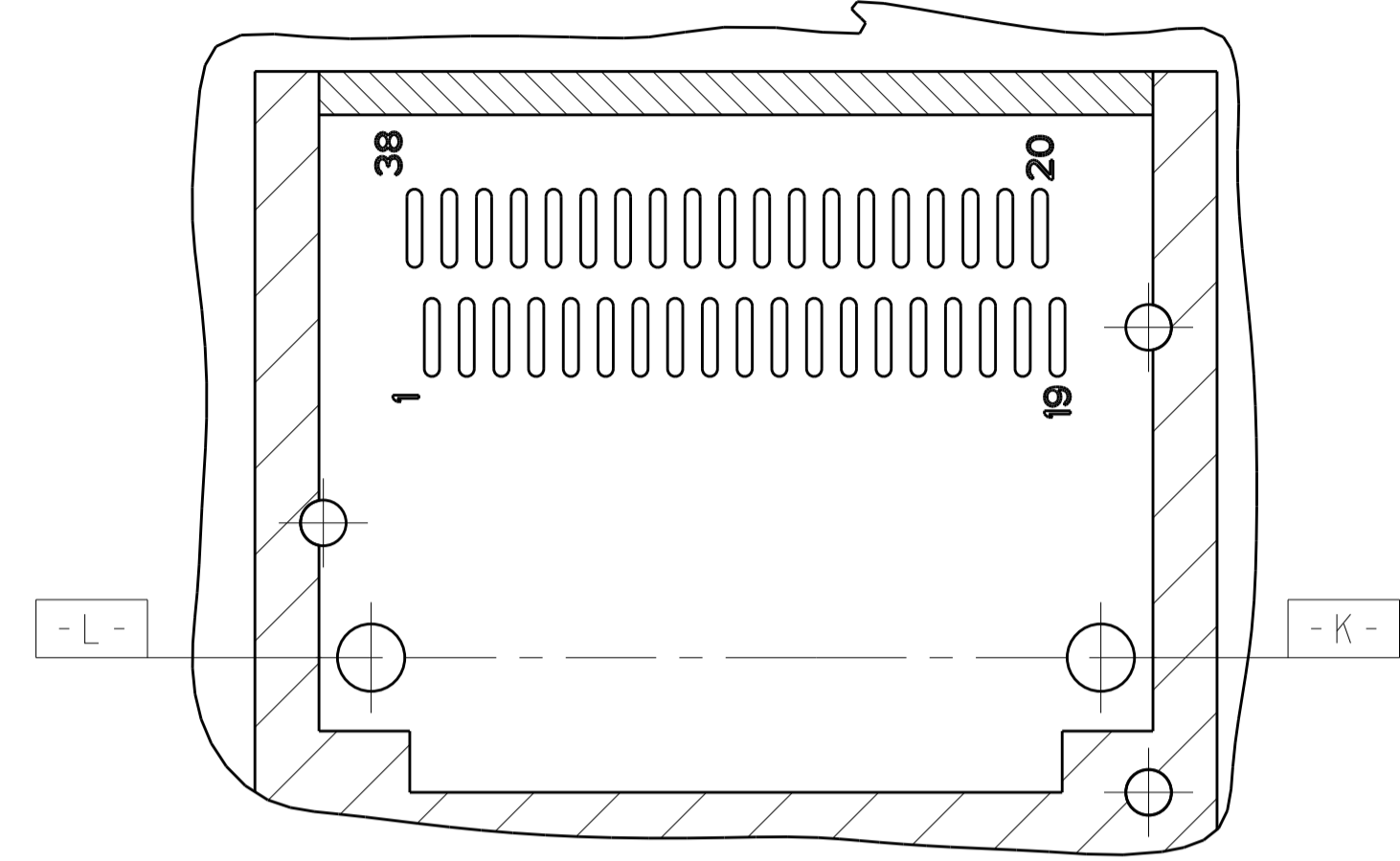
BELLY TO BELLY MOUNTING  
SCALE 4:1

|  |        |                           |   |
|--|--------|---------------------------|---|
| THIS DRAWING IS A CONTROLLED DOCUMENT. |        | OWN: JASON YANG 01APR2014 | TE Connectivity   |
| DIMENSIONS: mm                         |        | CHK: SEAN HAN 30DEC2015   |   |
| TOLERANCES UNLESS OTHERWISE SPECIFIED: |        | APVD:                     | NAME: CAGE ASSEMBLY, QSP28 1X1, THRU BEZEL, WITH EMI GASKET HEAT SINK, LIGHT PIPE |
| 0 PLC                                  | ±0.25  | PRODUCT SPEC              | 108-19428   |
| 1 PLC                                  | ±0.25  | APPLICATION SPEC          | 114-32023   |
| 2 PLC                                  | ±0.20  | SIZE                      | A100779   |
| 3 PLC                                  | ±0.100 | CAGE CODE                 | C=2170754   |
| 4 PLC                                  | ±      | DRAWING NO                | Customer Drawing  |
| ANGLES                                 | ±      | WEIGHT                    | SCALE 4:1   |
| FINISH                                 |        | RESTRICTED TO             | SHEET 5 OF 7  |
|  |        | REV                       | REV B   |

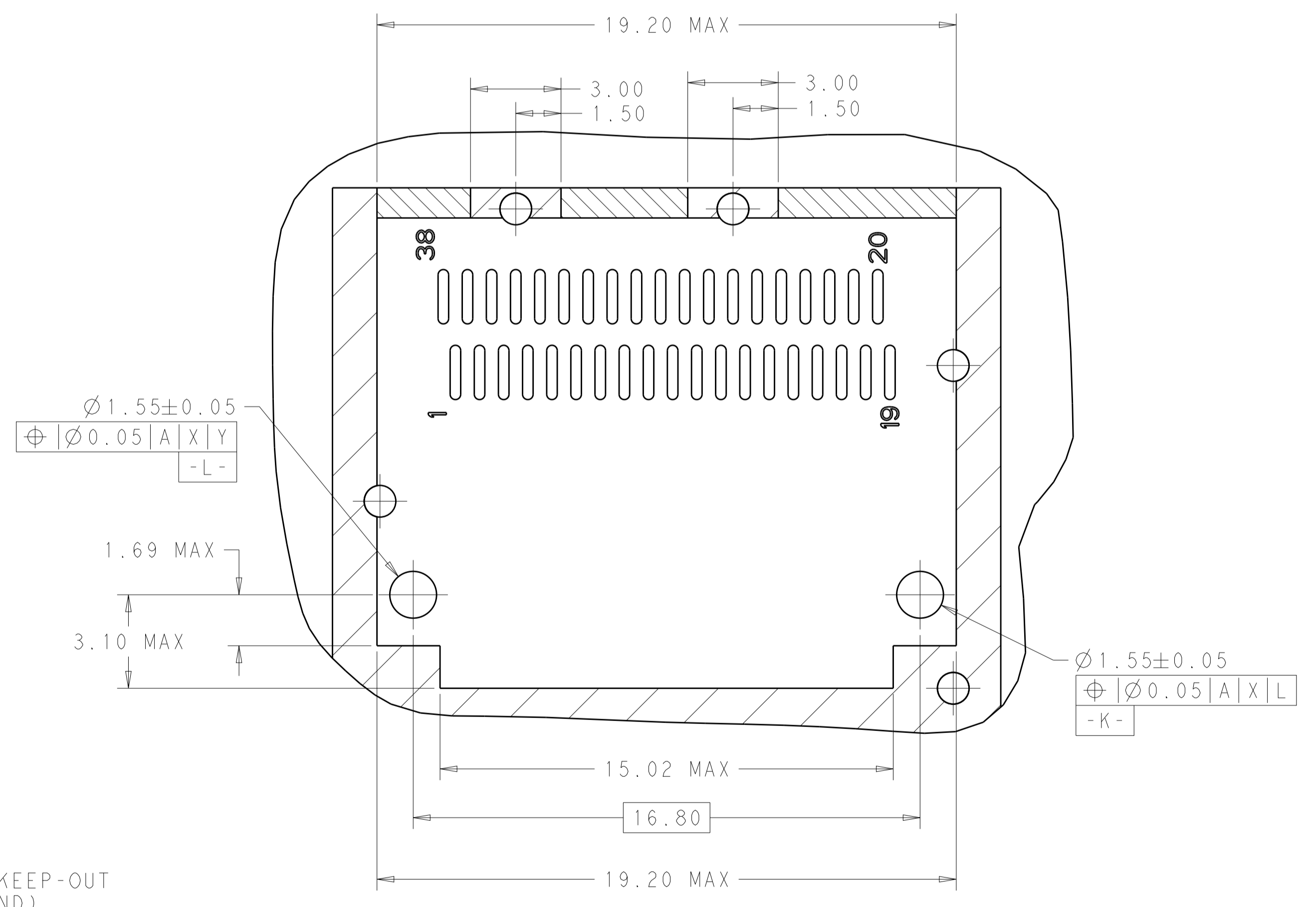
| LOC | DIST | REV | DATE | BY | APPV |
|-----|------|-----|------|----|------|
|     |      | 1   |      |    |      |



RECOMMENDED PCB LAYOUT  
 SINGLE TYPE OF 1 REAR HOLES OF LEGS  
 PCB TOLERANCE: ±0.05  
 SCALE 6:1



RECOMMENDED PCB LAYOUT  
 SINGLE TYPE OF 0 REAR HOLES OF LEGS  
 PCB TOLERANCE: ±0.05  
 SCALE 6:1



DETAIL B  
 SCALE 8:1

RECOMMENDED PCB LAYOUT  
 SINGLE TYPE OF 2 REAR HOLES OF LEGS  
 PCB TOLERANCE: ±0.05  
 SCALE 6:1

△ 12X Ø1.05±0.05  
 COMPLIANT PIN HOLE  
 ⊕ Ø0.1 | M | A | K | S | L | S

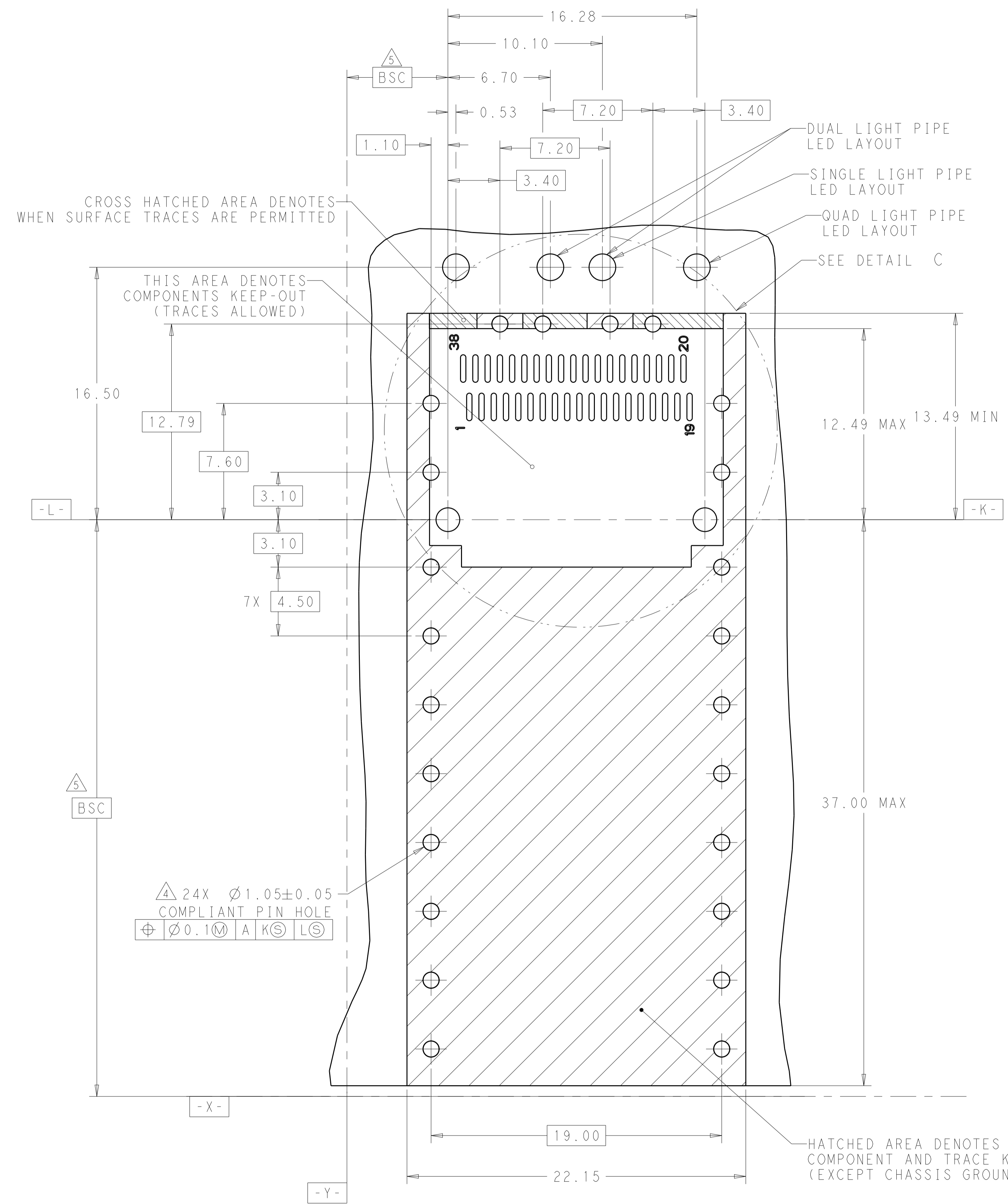
Ø1.55±0.05  
 ⊕ Ø0.05 | A | X | Y  
 -L-

Ø1.55±0.05  
 ⊕ Ø0.05 | A | X | L  
 -K-

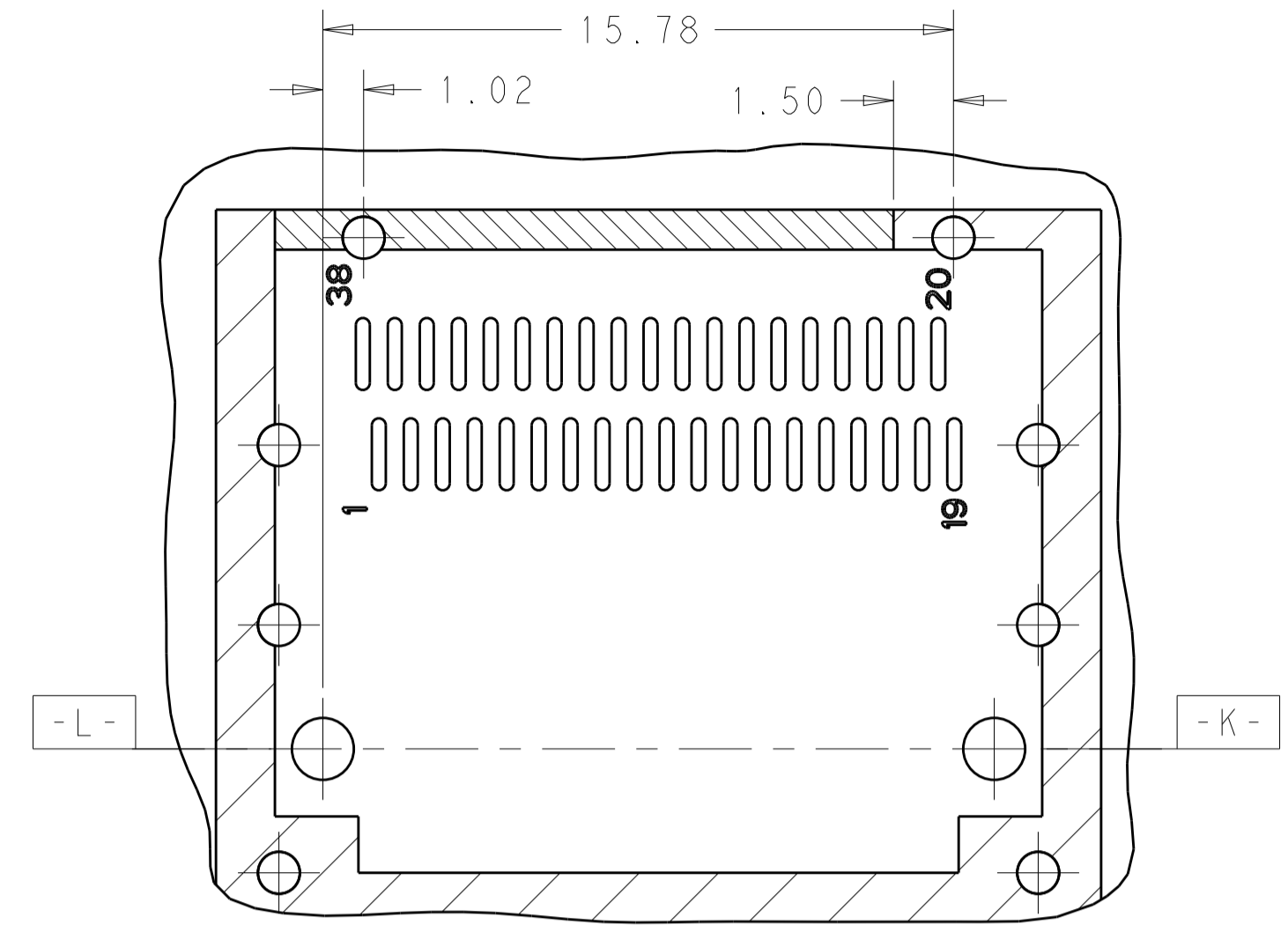
|  |        |                           |  |
|--|--------|---------------------------|--|
| THIS DRAWING IS A CONTROLLED DOCUMENT. |        | OWN: JASON YANG 01APR2014 | TE Connectivity  |
| DIMENSIONS: mm                         |        | CHK: SEAN HAN 30DEC2015   |  |
| TOLERANCES UNLESS OTHERWISE SPECIFIED: |        | APVD:                     | NAME: CAGE ASSEMBLY, QSFP28 1X1, THRU BEZEL, WITH EMI GASKET HEAT SINK, LIGHT PIPE |
| 0 PLC                                  | ±0.25  | PRODUCT SPEC              | 108-19428  |
| 1 PLC                                  | ±0.25  | APPLICATION SPEC          | 114-32023  |
| 2 PLC                                  | ±0.20  | SIZE                      | A100779  |
| 3 PLC                                  | ±0.100 | CAGE CODE                 | C=2170754  |
| 4 PLC                                  | ±      | RESTRICTED TO             |  |
| ANGLES                                 | ±      | SCALE                     | 4:1  |
| MATERIAL                               |        | SHEET                     | 6 OF 7   |
| FINISH                                 |        | REV                       | B  |



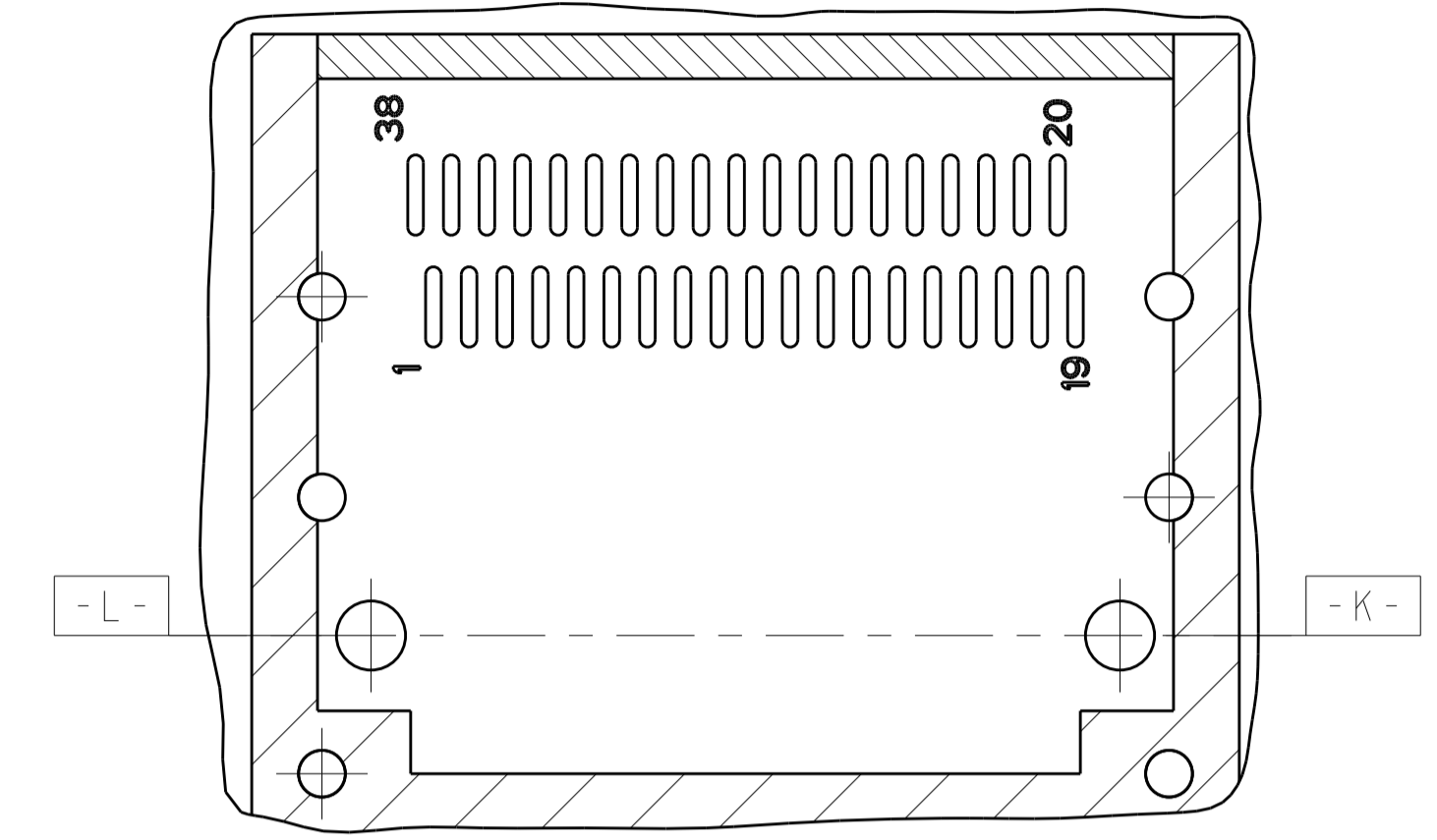
| LOC | DIST | REV | DATE | BY | APPD |
|-----|------|-----|------|----|------|
|     |      | 1   |      |    |      |



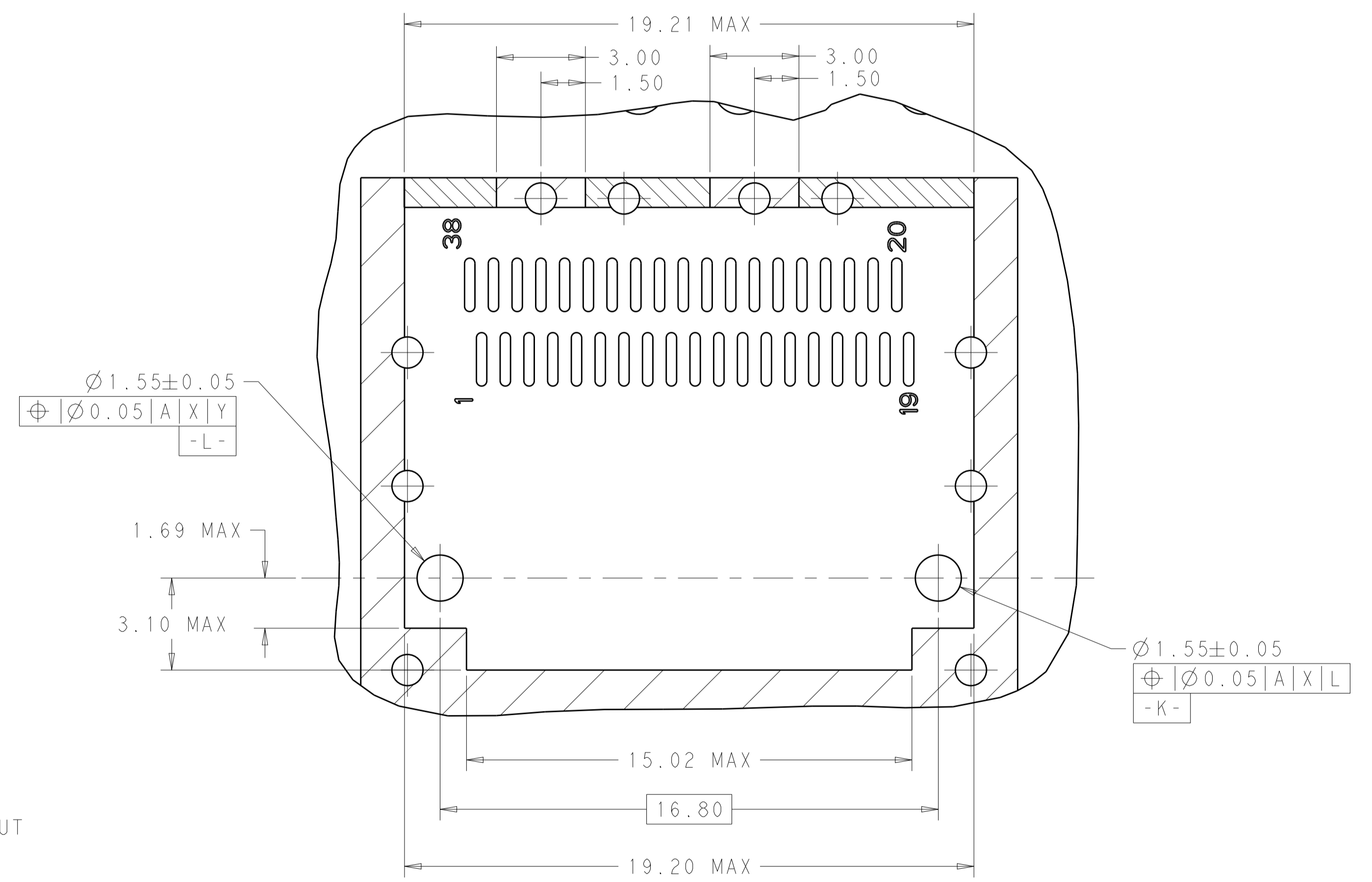
RECOMMENDED PCB LAYOUT  
BELLY TO BELLY TYPE OF 2 REAR HOLES OF LEGS  
PCB TOLERANCE: ±0.05  
SCALE 6:1



RECOMMENDED PCB LAYOUT  
BELLY TO BELLY TYPE OF 1 REAR HOLES OF LEGS  
PCB TOLERANCE: ±0.05  
SCALE 6:1



RECOMMENDED PCB LAYOUT  
BELLY TO BELLY TYPE OF 0 REAR HOLES OF LEGS  
PCB TOLERANCE: ±0.05  
SCALE 6:1



DETAIL C  
SCALE 8:1

|  |              |                             |  |
|--|--------------|-----------------------------|--|
| THIS DRAWING IS A CONTROLLED DOCUMENT. |              | OWN: JASON YANG 01APR2014   | <br>TE Connectivity  |
| DIMENSIONS: mm                         |              | CHK: SEAN HAN 30DEC2015     |  |
| TOLERANCES UNLESS OTHERWISE SPECIFIED: |              | APVD:                       | NAME: CAGE ASSEMBLY, QSFP28 1X1, THRU BEZEL, WITH EMI GASKET HEAT SINK, LIGHT PIPE |
| 0 PLC ±0.25                            | 1 PLC ±0.25  | PRODUCT SPEC: 108-19428     | SIZE: A100779  |
| 2 PLC ±0.20                            | 3 PLC ±0.100 | APPLICATION SPEC: 114-32023 | DRAWING NO: C=2170754  |
| 4 PLC ±                                | ANGLES ±     | WEIGHT:                     | RESTRICTED TO:   |
| MATERIAL:                              | FINISH:      | Customer Drawing            | SCALE: 4:1 SHEET 7 OF 7 REV B  |

## X-ON Electronics

Largest Supplier of Electrical and Electronic Components

*Click to view similar products for [I/O Connectors](#) category:*

*Click to view products by [TE Connectivity](#) manufacturer:*

Other Similar products are found below :

[571763P](#) [72.250.1628.2](#) [72.250.2428.2](#) [74720-0505](#) [76.350.0729.0](#) [76871-1403](#) [FCN-244F080-G/1](#) [FCN-260A9920](#) [MP-5T180MUNNA-005](#)  
[PCR-E36PM](#) [PCS-XE26MA+](#) [G38A71314B](#) [1571250010](#) [157-22500-3](#) [MS3471L14-19P L/C](#) [91-569786-35H](#) [172501-4002](#) [172501-6002](#)  
[FCN-260C008-A/L0](#) [FCN-260C024-AL0](#) [FCN-261Z008](#) [2000314-1](#) [200331-1](#) [PCR-E36FC+](#) [PCS-E28FS+](#) [PCS-XE26SLFD+](#) [PCS-](#)  
[XE26SLFDT+](#) [G730VID08BDC24](#) [U90B2054081210](#) [UE86K842720321](#) [38113800006](#) [DP3AR020WQ1R200](#) [Z4.102.0680.0](#) [500-1040](#)  
[500-1052](#) [500-1054](#) [ZP-4008-66L](#) [0709821002](#) [10-565995-597N](#) [DX40-20P\(55\)](#) [5554841-1](#) [MS3474W18-8P-LC\\*](#) [U90B3054061110](#) [U65-](#)  
[E04-4020](#) [ZPF000000000097891](#) [557-262M2-06C](#) [747360449](#) [10099439-003C-TRLF](#) [10137239-0021LF](#) [E9320-001-01](#)