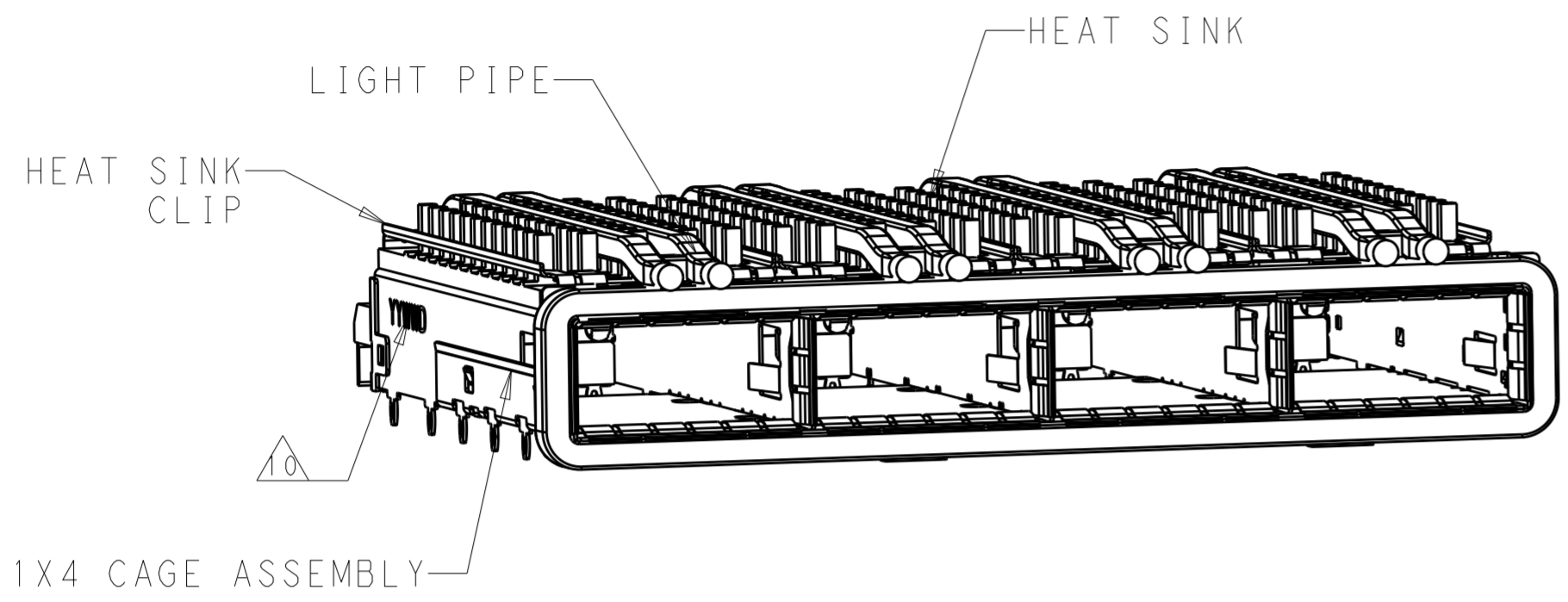
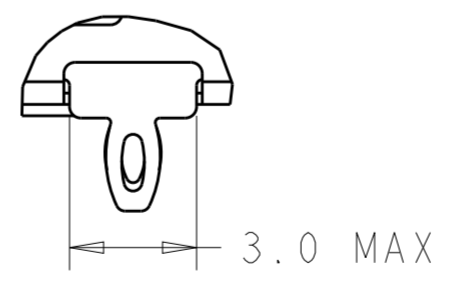
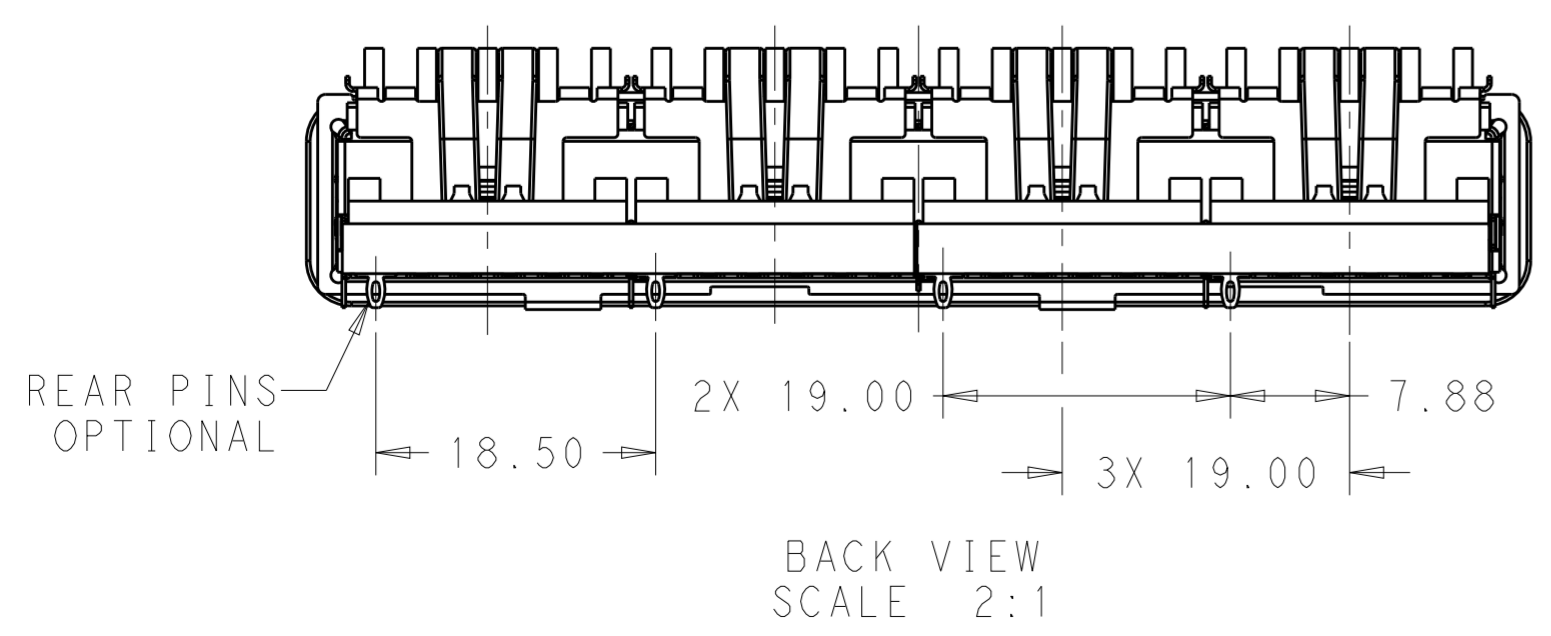
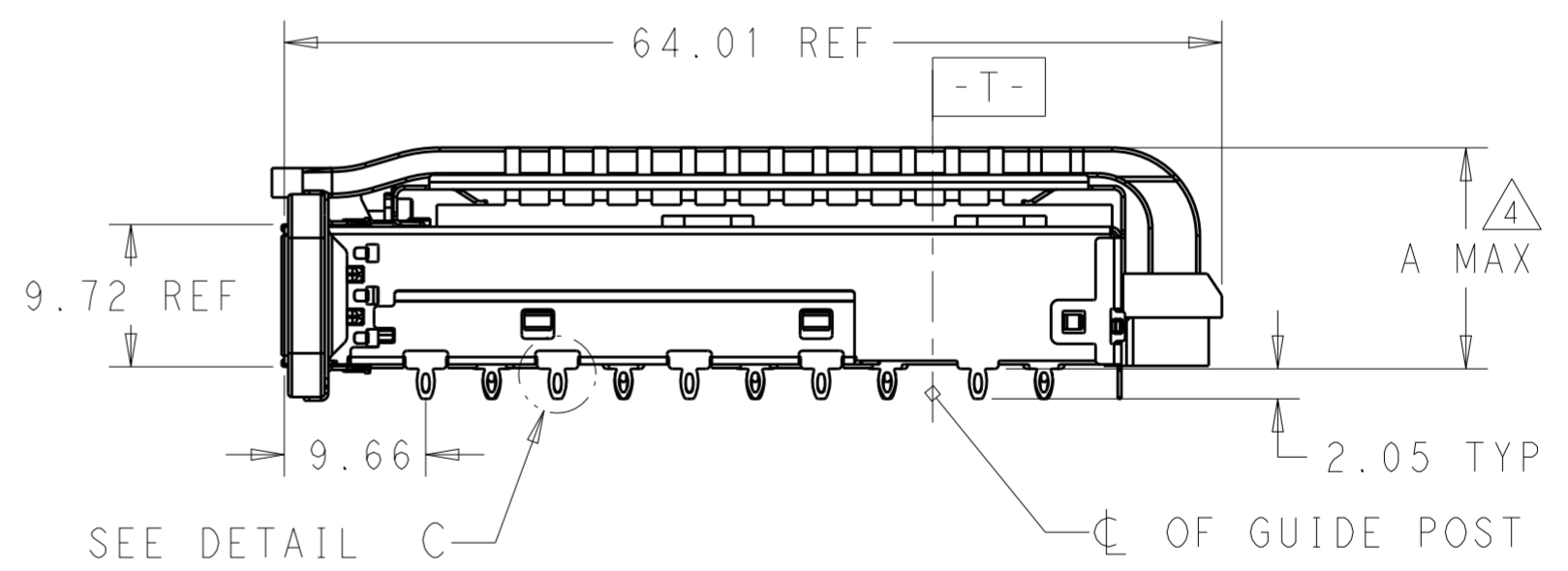
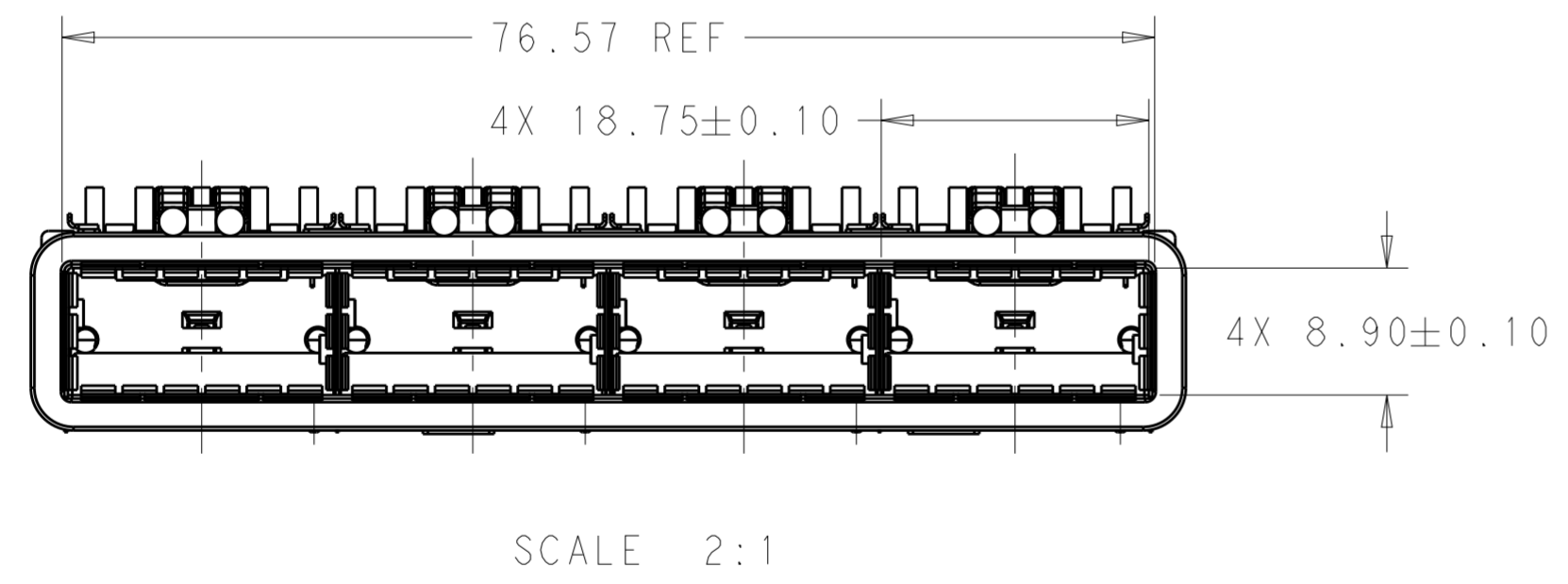


THIS DRAWING IS UNPUBLISHED. RELEASED FOR PUBLICATION 20
 © COPYRIGHT 20 BY - ALL RIGHTS RESERVED.

REVISIONS				
P	LTR	DESCRIPTION	DATE	APVD
	A	RELEASE	01NOV2016	JY SH



1. COMPONENTS
 CAGE ASSEMBLY: NICKEL-SILVER ALLOY
 HEAT SINK: ALUMINUM/BLACK ANODIZE
 HEAT SINK CLIP: STAINLESS STEEL
 EMI SPRING: COPPER ALLOY/NICKEL PLATE
 EMI GASKET: PLATED FILLED SILICONE
 LIGHT PIPE: CLEAR POLYCARBONATE WITH 94 V-0
 ORGANIZER: POLYESTER WITH UL 94 V-0
2. REFERENCE APPLICATION SPECIFICATION 114-32023 FOR RECOMMENDED DRILL HOLE DIAMETER AND PLATING THICKNESS
3. DATUM AND BASIC DIMENSION ESTABLISHED BY CUSTOMER
4. DIMENSION APPLIES WITH MODULE INSERTED IN CAGE
5. HEAT SINKS, HEAT SINK CLIPS AND LIGHT PIPES ARE SHIPPED ASSEMBLED ON CAGE
6. MINIMUM PC BOARD THICKNESS: SINGLE SIDED: 1.57 MIN
 DOUBLE SIDED: 3.00 MIN
7. DATUM -A- IS TOP SURFACE OF THE HOST BOARD.
8. THESE HOLES ARE OPTIONAL WHEN THE REAR PINS ARE REMOVED.
9. MATES WITH QSFP28 MSA COMPATIBLE TRANSCEIVER.
10. DATE CODE (YYWWD) MARKED APPROXIMATELY AS SHOWN.



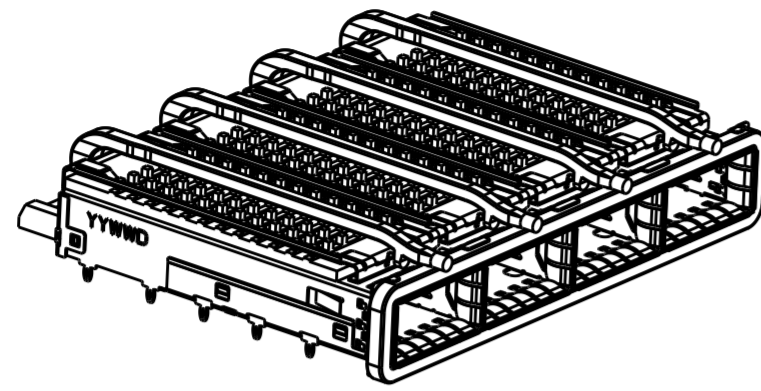
DETAIL C
 SCALE 6:1

THIS DRAWING IS A CONTROLLED DOCUMENT.		DWN 20 JUN 2014 JASON YANG	TE Connectivity	
		CHK 01 NOV 2016 SEAN HAN		
DIMENSIONS: mm		APVD -		NAME
TOLERANCES UNLESS OTHERWISE SPECIFIED:		PRODUCT SPEC		RECEPTACLE CAGE ASSEMBLY WITH HEAT SINKS AND LIGHT PIPES, THRU BEZEL, 1X4, QSFP28, GASKET
0 PLC ±		108-19428		SIZE
1 PLC ±0.25		APPLICATION SPEC		CAGE CODE
2 PLC ±0.2		114-32023		DRAWING NO
3 PLC ±		WEIGHT -		RESTRICTED TO
4 PLC ±		CUSTOMER DRAWING		A200779
ANGLES ±		SCALE 3:1		SHEET 1 OF 9
FINISH		REV A		
MATERIAL SEE NOTES				
SEE NOTES				

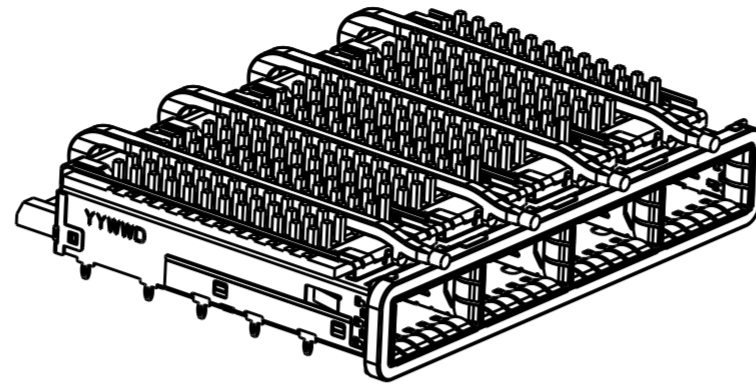
THIS DRAWING IS UNPUBLISHED. RELEASED FOR PUBLICATION 20
 © COPYRIGHT 20 BY - ALL RIGHTS RESERVED.

REVISIONS				
P	LTR	DESCRIPTION	DATE	APVD
-		SEE SHEET 1	-	-

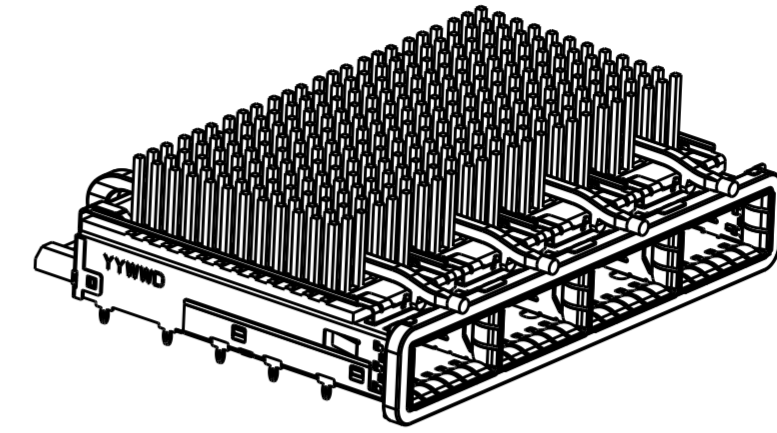
HEAT SINK OPTION



PCI HEAT SINK
SCALE 1:1

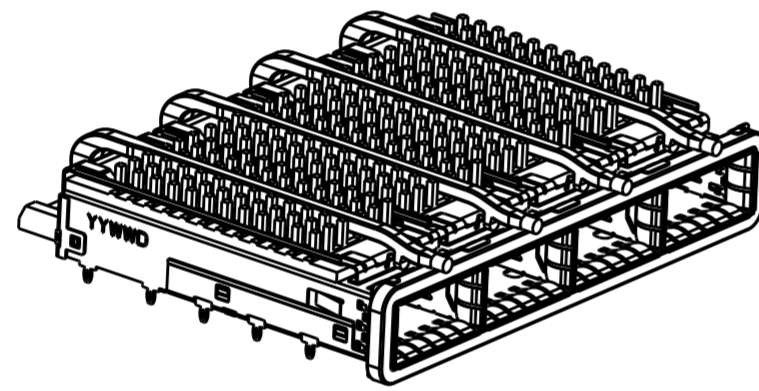


SAN HEAT SINK
SCALE 1:1

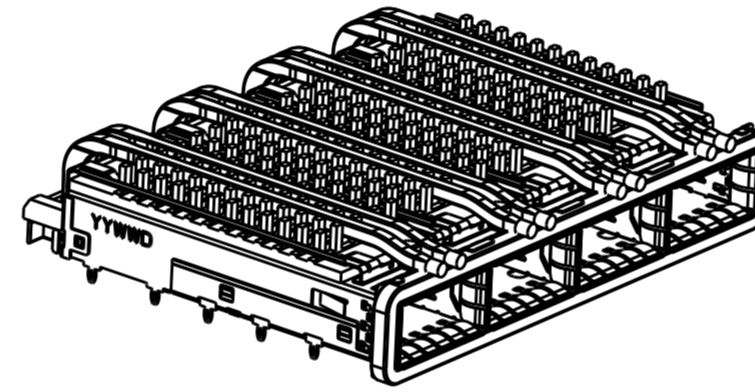


NETWORKING HEAT SINK
SCALE 1:1

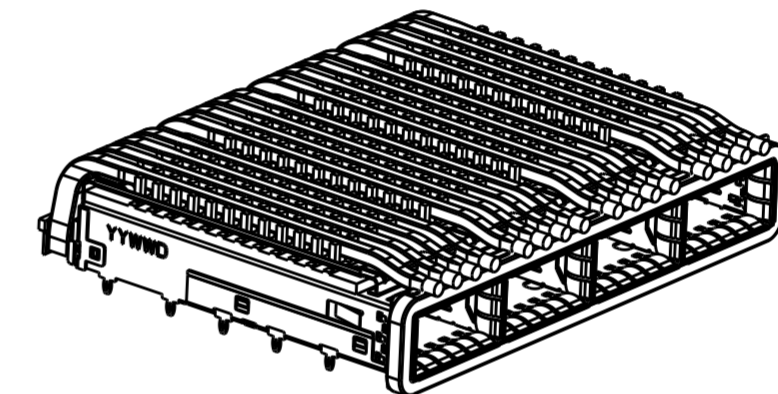
LIGHT PIPE OPTION



SINGLE LOGHT PIPE
SCALE 1:1

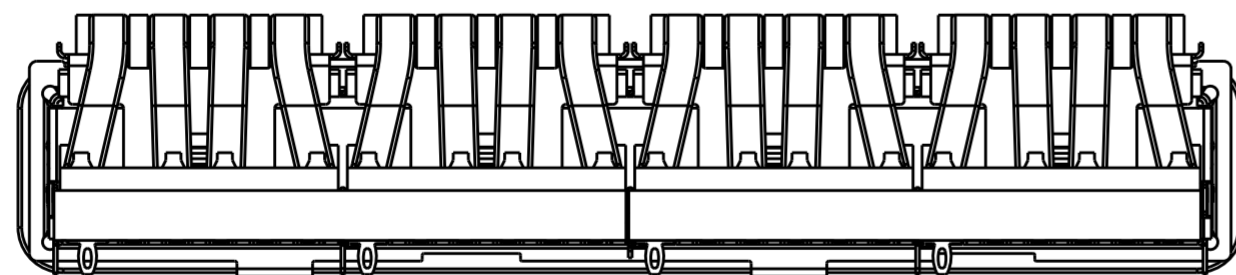


DUAL LIGHT PIPE
SCALE 1:1

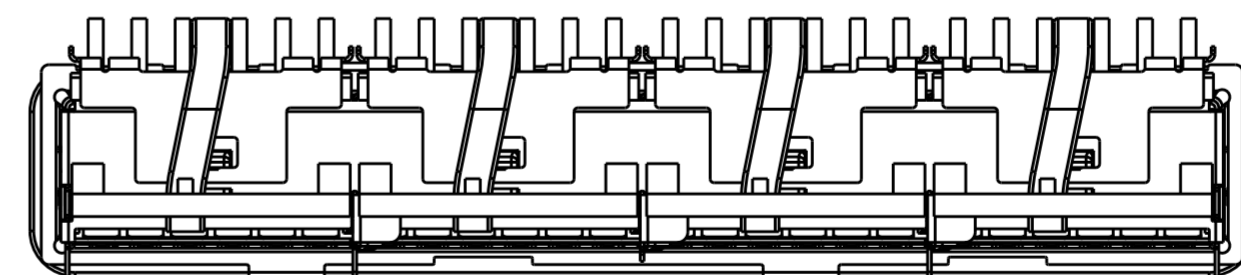


QUAD LIGHT PIPE
SCALE 1:1


OF REAR PIN OPTION



1 REAR PIN
SCALE 2:1




0 REAR PIN
SCALE 2:1

THIS DRAWING IS A CONTROLLED DOCUMENT.		DWN JASON YANG 20 JUN 2014	 TE Connectivity	
		CHK SEAN HAN 01 NOV 2016		
DIMENSIONS: mm	TOLERANCES UNLESS OTHERWISE SPECIFIED:	APVD	NAME	RECEPTACLE CAGE ASSEMBLY WITH HEAT SINKS AND LIGHT PIPES, THRU BEZEL, 1X4, QSFP28, GASKET
	0 PLC ± 1 PLC ±0.25 2 PLC ±0.2 3 PLC ± 4 PLC ± ANGLES ± FINISH	PRODUCT SPEC 108-19428	SIZE	
MATERIAL SEE NOTES	SEE NOTES	APPLICATION SPEC 114-32023	CAGE CODE A200779	DRAWING NO C-2170785
		WEIGHT	RESTRICTED TO	
		CUSTOMER DRAWING	SCALE 3:1	SHEET 2 OF 9

THIS DRAWING IS UNPUBLISHED. RELEASED FOR PUBLICATION 20
 © COPYRIGHT 20 BY - ALL RIGHTS RESERVED.

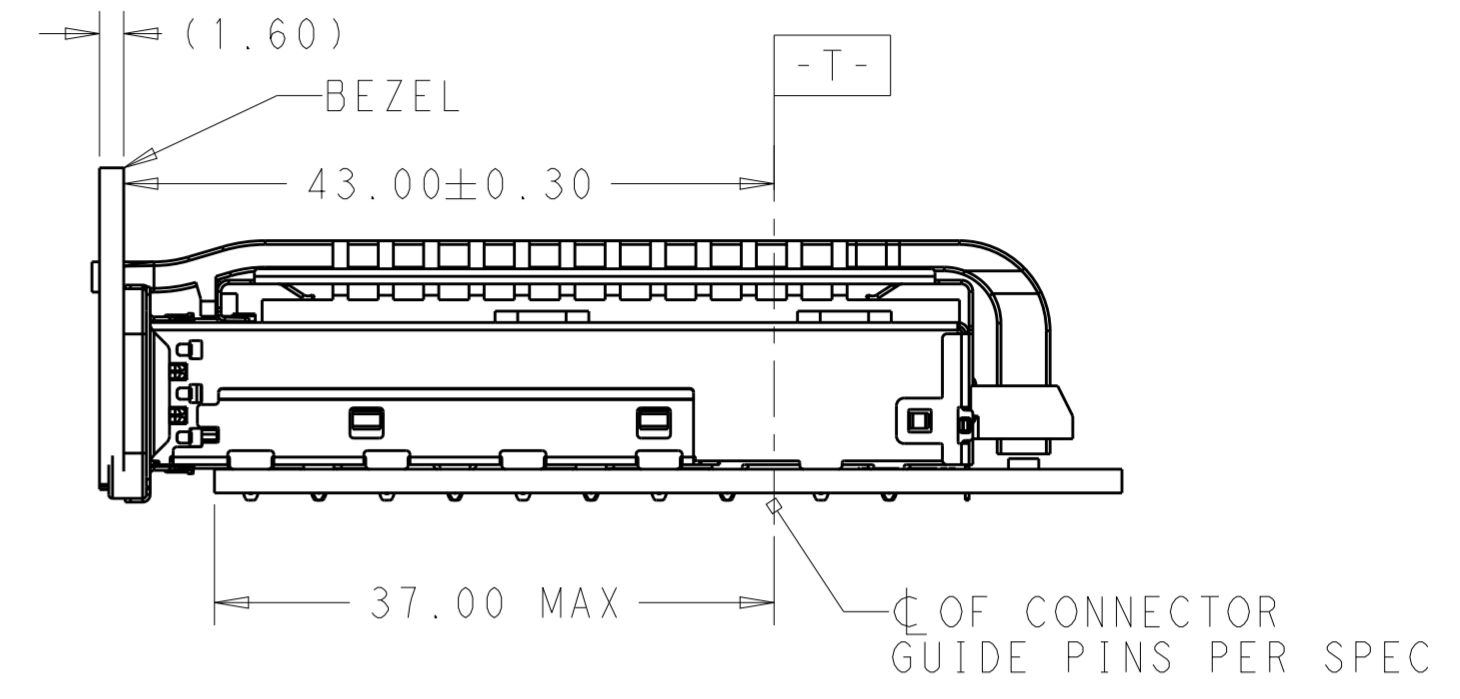
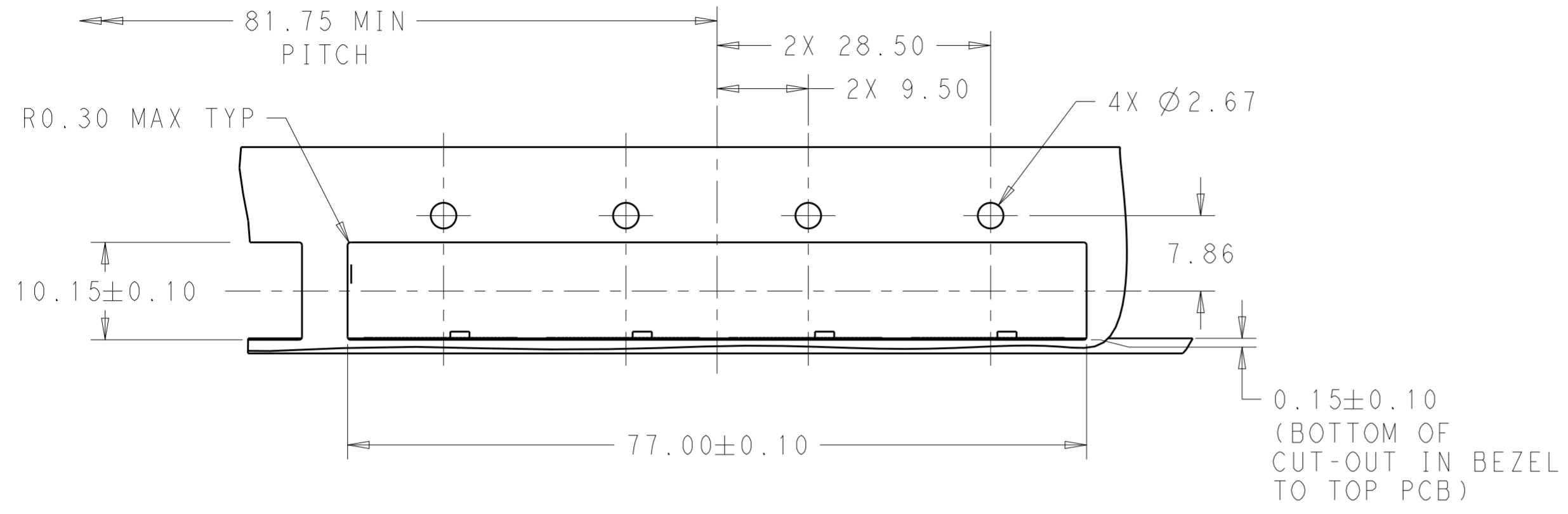
REVISIONS				
P	LTR	DESCRIPTION	DATE	APVD
-		SEE SHEET 1	-	-

0	23.0	NETWORKING	QUAD	4-2170785-6
0	16.0	SAN	QUAD	4-2170785-5
0	13.7	PCI	QUAD	4-2170785-4
1	23.0	NETWORKING	QUAD	4-2170785-3
1	16.0	SAN	QUAD	4-2170785-2
1	13.7	PCI	QUAD	4-2170785-1
0	23.0	NETWORKING	DUAL	2-2170785-6
0	16.0	SAN	DUAL	2-2170785-5
0	13.7	PCI	DUAL	2-2170785-4
1	23.0	NETWORKING	DUAL	2-2170785-3
1	16.0	SAN	DUAL	2-2170785-2
1	13.7	PCI	DUAL	2-2170785-1
0	23.0	NETWORKING	SINGLE	2170785-6
0	16.0	SAN	SINGLE	2170785-5
0	13.7	PCI	SINGLE	2170785-4
1	23.0	NETWORKING	SINGLE	2170785-3
1	16.0	SAN	SINGLE	2170785-2
1	13.7	PCI	SINGLE	2170785-1
# OF REAR PIN	DIM A	APPLICATION	LIGHT PIPE OPTION	PART NUMBER

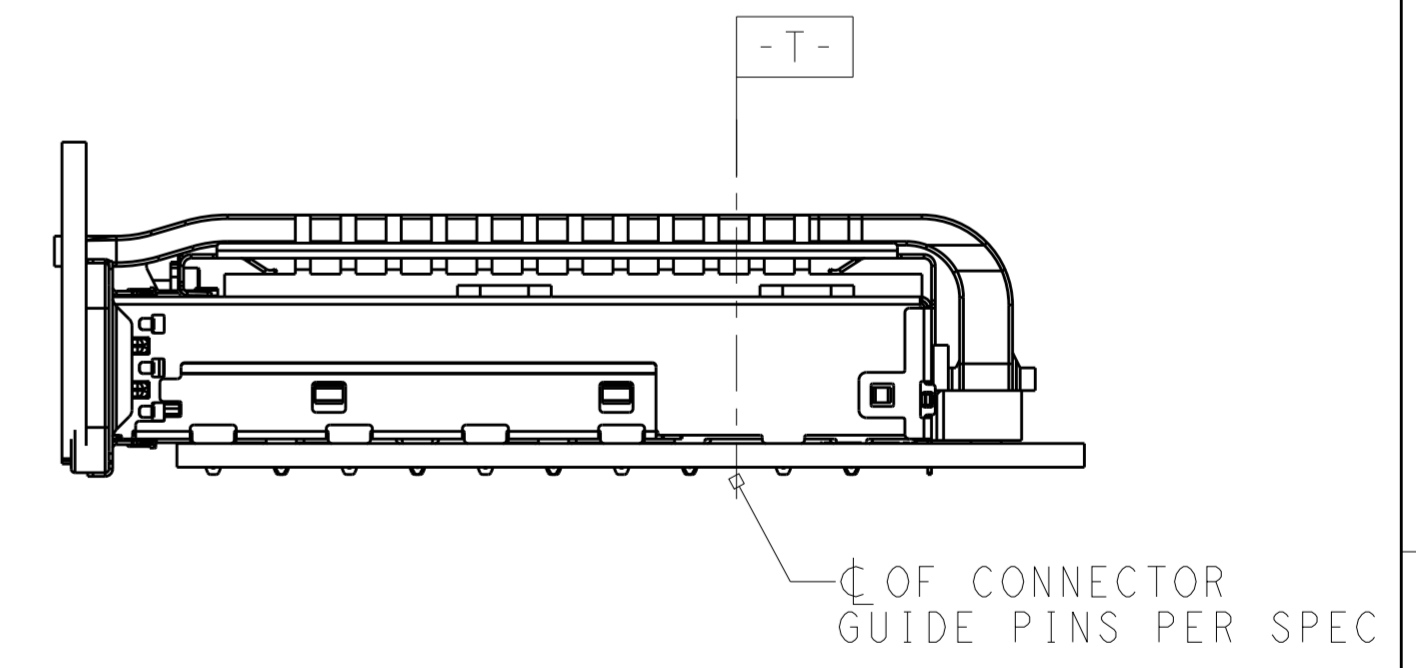
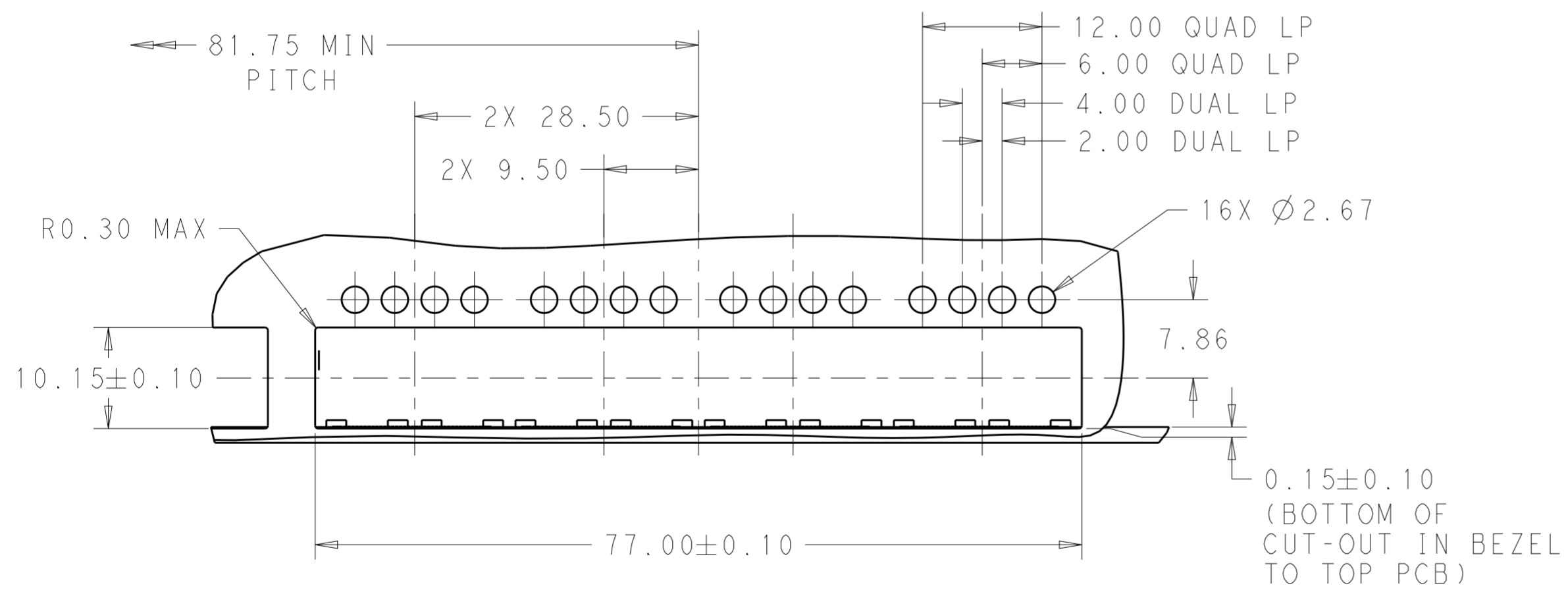
THIS DRAWING IS A CONTROLLED DOCUMENT.		DWN 20 JUN 2014 JASON YANG	 TE Connectivity	
		CHK 01 NOV 2016 SEAN HAN		
DIMENSIONS: mm		TOLERANCES UNLESS OTHERWISE SPECIFIED: 0 PLC ± 1 PLC ±0.25 2 PLC ±0.2 3 PLC ± 4 PLC ± ANGLES ± FINISH		NAME RECEPTACLE CAGE ASSEMBLY WITH HEAT SINKS AND LIGHT PIPES, THRU BEZEL, 1X4, QSFP28, GASKET
MATERIAL SEE NOTES		PRODUCT SPEC 108-19428 APPLICATION SPEC 114-32023 WEIGHT -		SIZE A200779
		CUSTOMER DRAWING		DRAWING NO C-2170785 RESTRICTED TO -
		SCALE 3:1		SHEET 3 OF 9 REV A

THIS DRAWING IS UNPUBLISHED. RELEASED FOR PUBLICATION 20
 © COPYRIGHT 20 BY - ALL RIGHTS RESERVED.


REVISIONS				
P	LTR	DESCRIPTION	DATE	APVD
-	-	SEE SHEET 1	-	-



SINGLE SIDE MOUNTING
SCALE 2:1

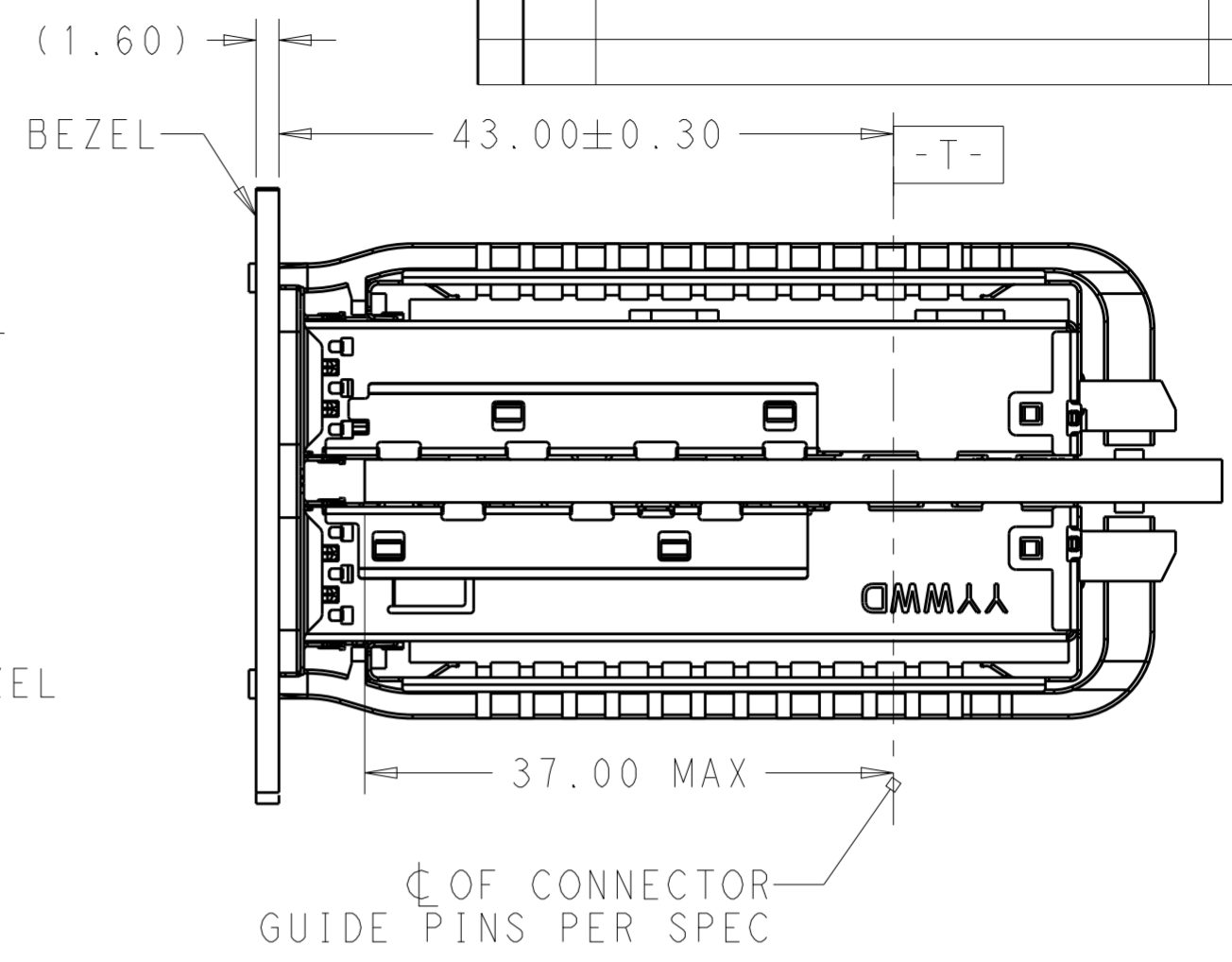
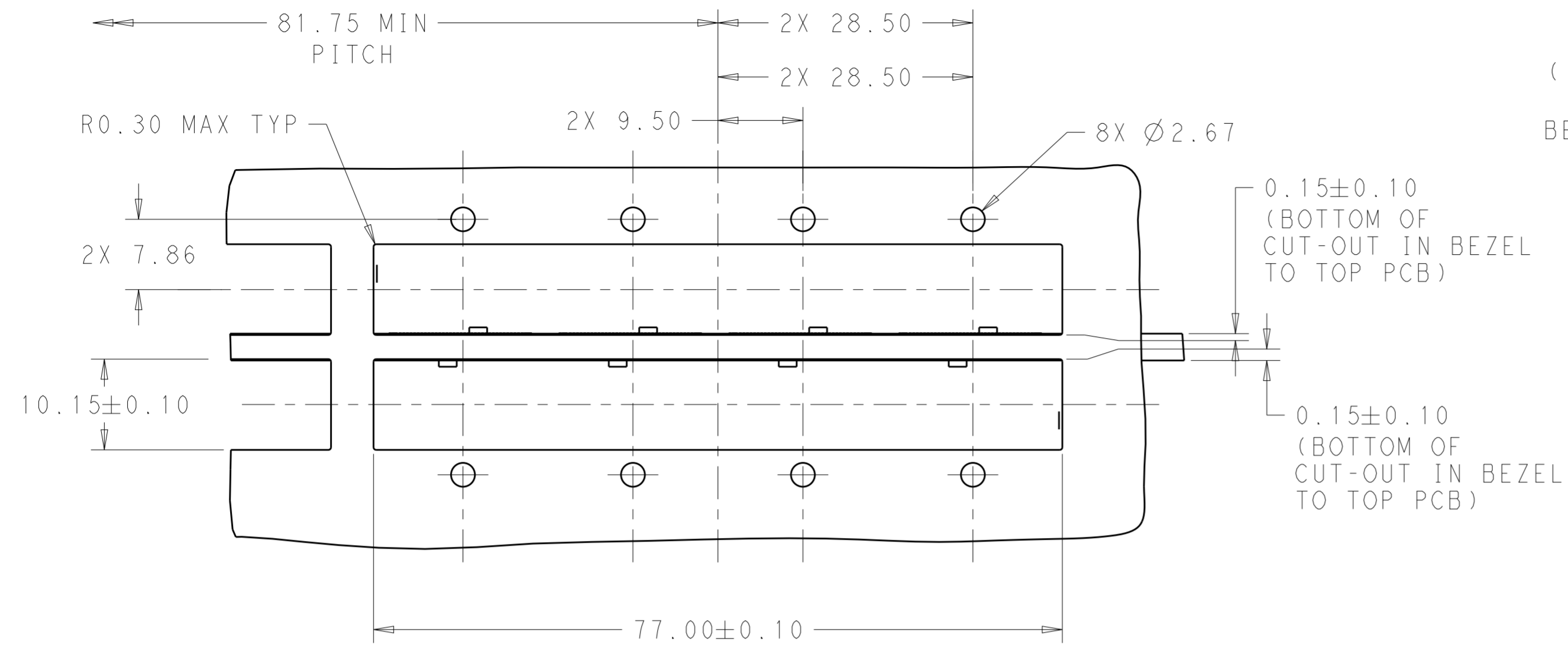


SINGLE SIDE MOUNTING
SCALE 2:1

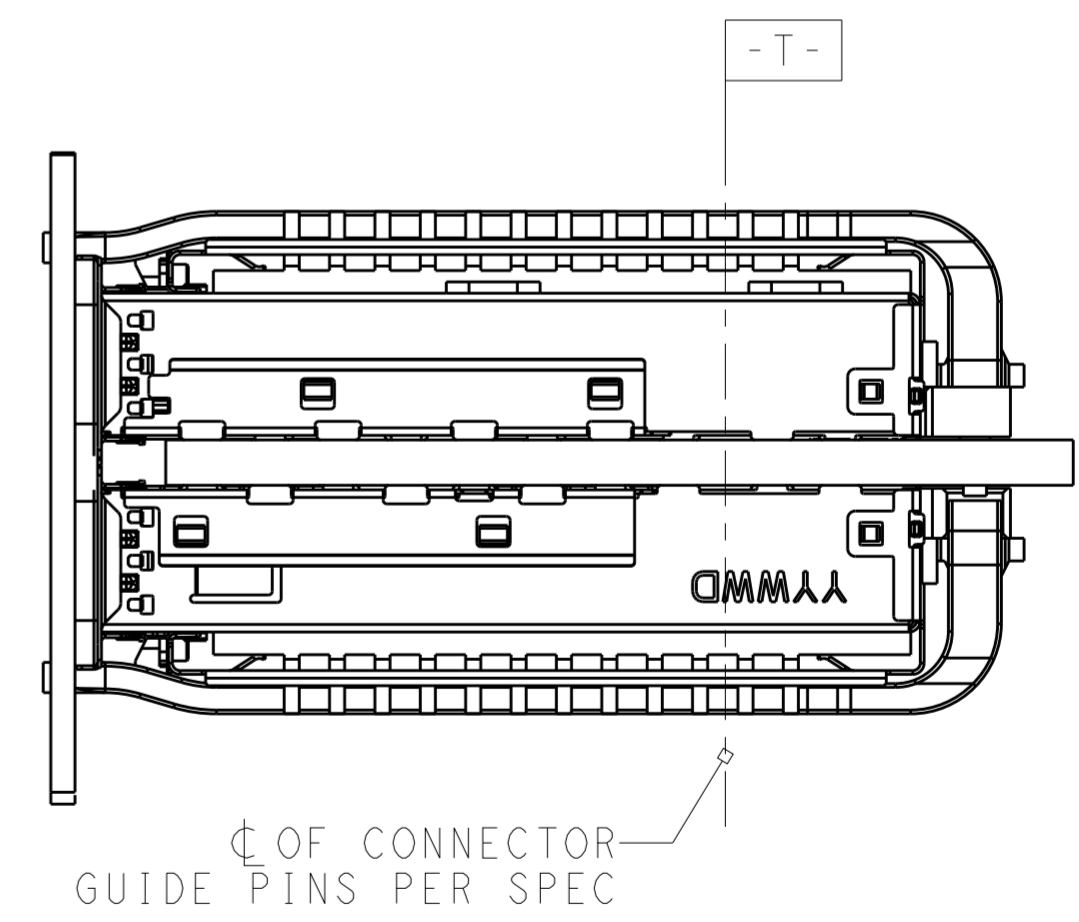
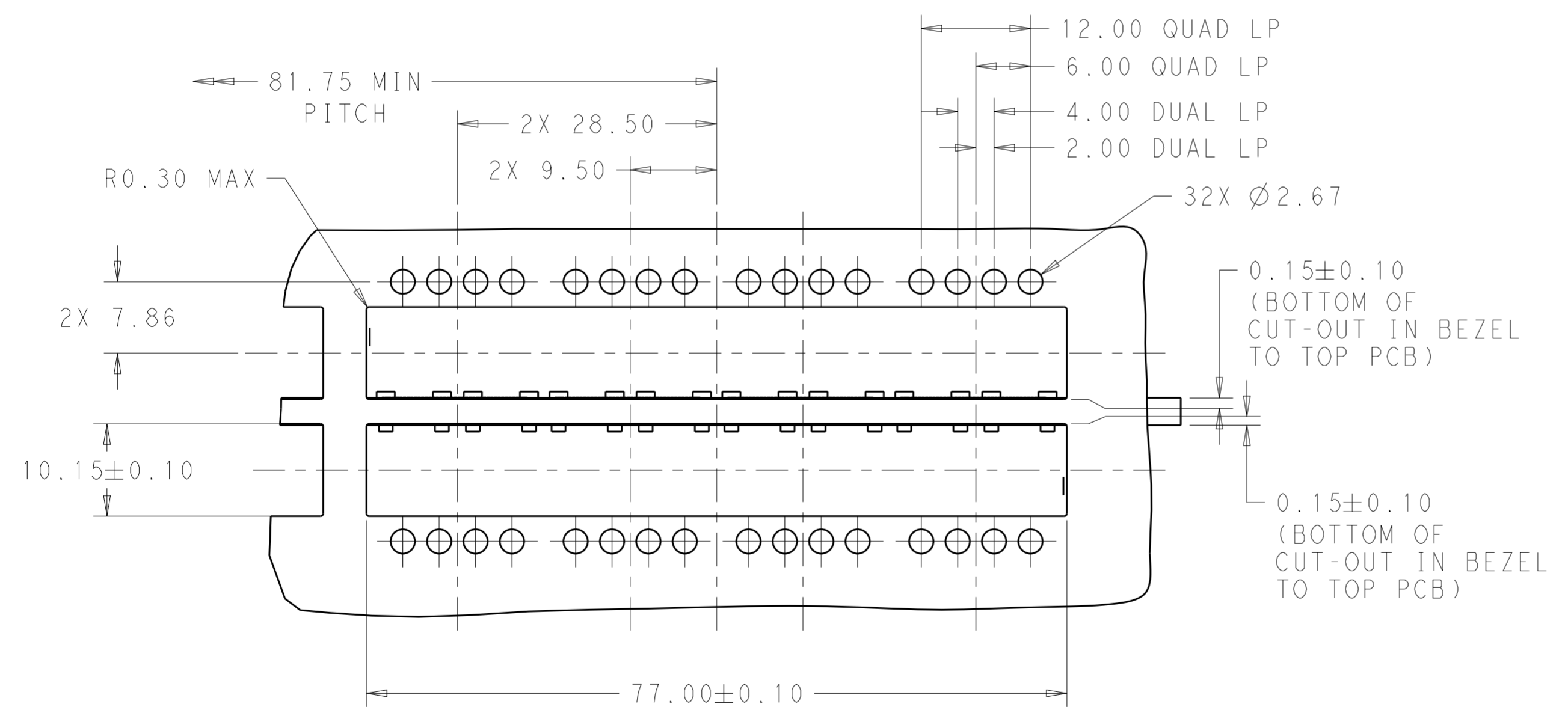
THIS DRAWING IS A CONTROLLED DOCUMENT.		DWN 20 JUN 2014 JASON YANG	 TE Connectivity	
DIMENSIONS: mm		CHK 01 NOV 2016 SEAN HAN		
TOLERANCES UNLESS OTHERWISE SPECIFIED:		APVD -	PRODUCT SPEC 108-19428	SIZE A2
0 PLC ±-		1 PLC ±0.25	APPLICATION SPEC 114-32023	CAGE CODE 00779
2 PLC ±0.2		3 PLC ±-	WEIGHT -	DRAWING NO C-2170785
4 PLC ±-		ANGLES ±-	CUSTOMER DRAWING	RESTRICTED TO -
FINISH SEE NOTES		FINISH SEE NOTES	SCALE 3:1	SHEET 4 OF 9
MATERIAL -		FINISH -	SCALE 3:1	REV A

THIS DRAWING IS UNPUBLISHED. RELEASED FOR PUBLICATION 20
 © COPYRIGHT 20 BY - ALL RIGHTS RESERVED.

REVISIONS				
P	LTR	DESCRIPTION	DATE	APVD
-	-	SEE SHEET 1	-	-



BELLY TO BELLY MOUNTING
SCALE 2:1

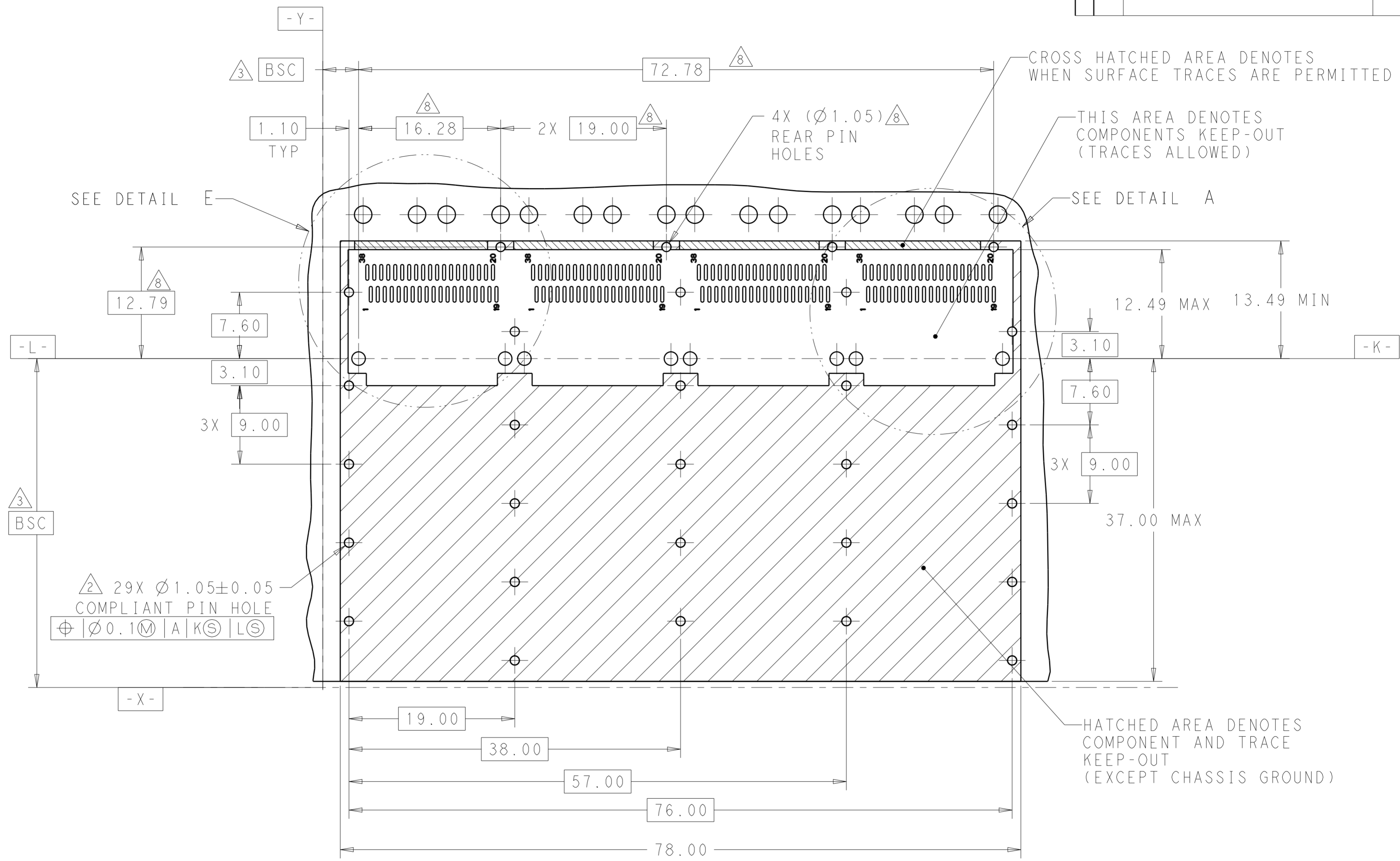


BELLY TO BELLY MOUNTING
SCALE 2:1

THIS DRAWING IS A CONTROLLED DOCUMENT.		DWN JASON YANG 20 JUN 2014	TE Connectivity	
		CHK SEAN HAN 01 NOV 2016		
DIMENSIONS:	TOLERANCES UNLESS OTHERWISE SPECIFIED:	APVD	NAME	
mm	0 PLC ± 1 PLC ±0.25 2 PLC ±0.2 3 PLC ± 4 PLC ± ANGLES ± FINISH	PRODUCT SPEC	RECEPTACLE CAGE ASSEMBLY WITH HEAT SINKS AND LIGHT PIPES, THRU BEZEL, 1X4, QSFP28, GASKET	
MATERIAL	SEE NOTES	APPLICATION SPEC	SIZE	CAGE CODE
SEE NOTES	SEE NOTES	114-32023	A200779	DRAWING NO
		WEIGHT	C-2170785	RESTRICTED TO
		CUSTOMER DRAWING	SCALE 3:1	SHEET 5 OF 9
				REV A

THIS DRAWING IS UNPUBLISHED. RELEASED FOR PUBLICATION 20
 © COPYRIGHT 20 BY - ALL RIGHTS RESERVED.

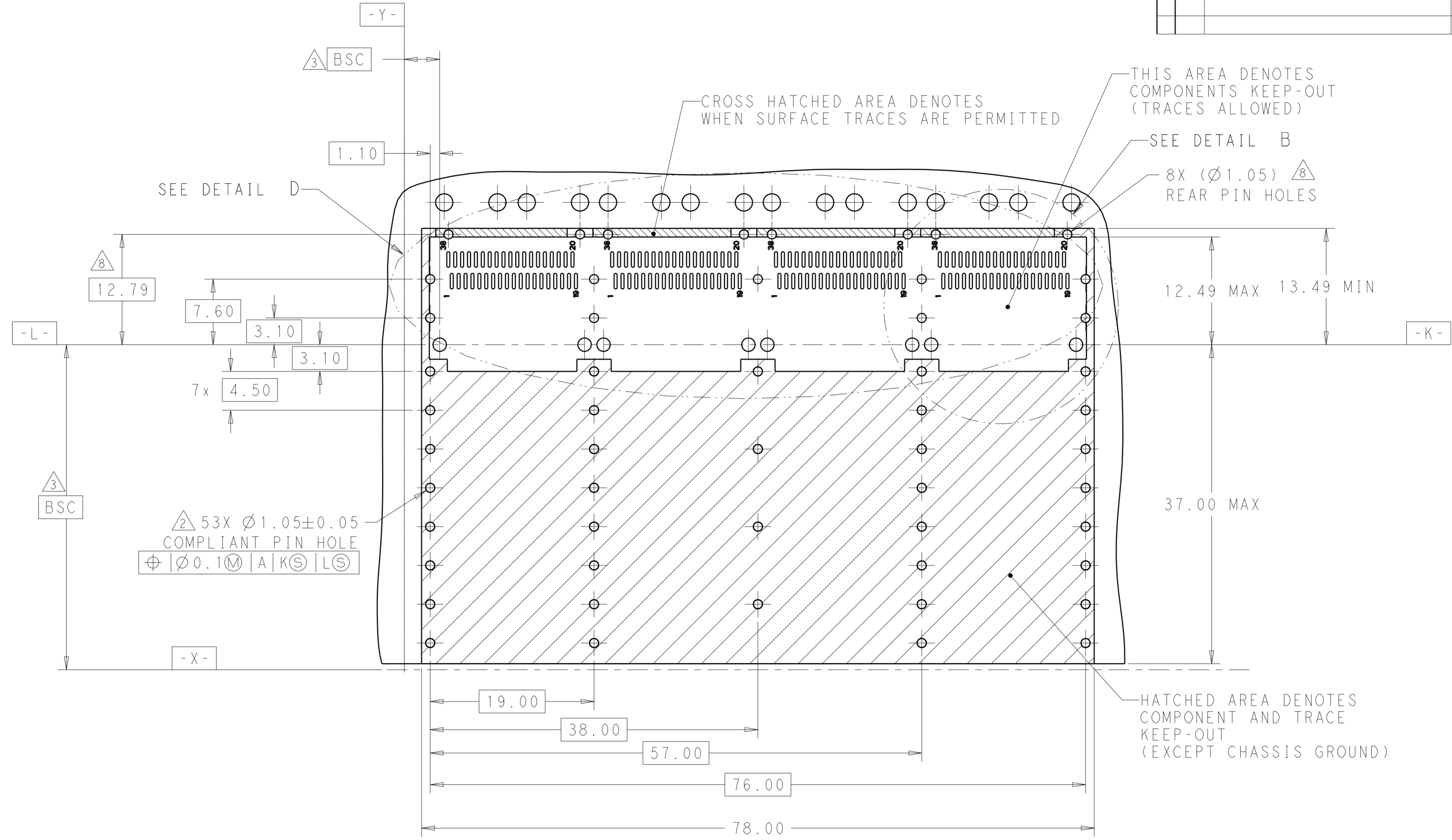
REVISIONS				
P	LTR	DESCRIPTION	DATE	APVD
-	-	SEE SHEET 1	-	-




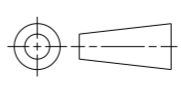
RECOMMENDED PCB LAYOUT
 SINGLE TYPE
 PCB TOLERANCE: ±0.05
 SCALE 3:1

THIS DRAWING IS A CONTROLLED DOCUMENT.		DWN 20 JUN 2014 JASON YANG	TE Connectivity	
		CHK 01 NOV 2016 SEAN HAN		
DIMENSIONS: mm		APVD -	NAME RECEPTACLE CAGE ASSEMBLY WITH HEAT SINKS AND LIGHT PIPES, THRU BEZEL, 1X4, QSFP28, GASKET	
TOLERANCES UNLESS OTHERWISE SPECIFIED:		PRODUCT SPEC 108-19428	SIZE CAGE CODE DRAWING NO RESTRICTED TO	
0 PLC ±-		APPLICATION SPEC 114-32023	A200779 C-2170785	
1 PLC ±0.25		WEIGHT -	SCALE 3:1 SHEET 6 OF 9 REV A	
2 PLC ±0.2		CUSTOMER DRAWING		
3 PLC ±-				
4 PLC ±-				
ANGLES ±-				
FINISH SEE NOTES				

REVISIONS				
P	LTR	DESCRIPTION	DATE	APVD
-	-	SEE SHEET 1	-	-

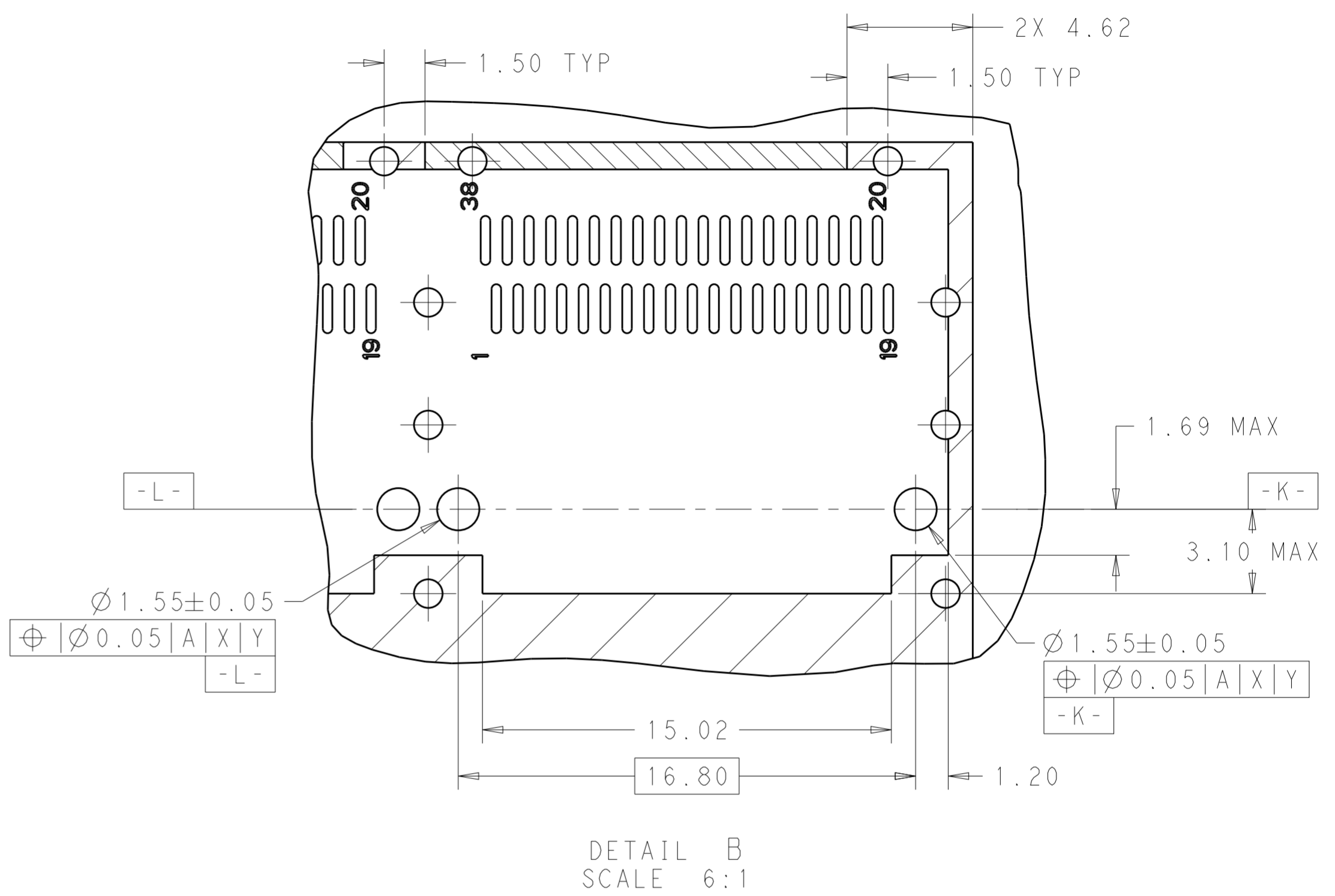
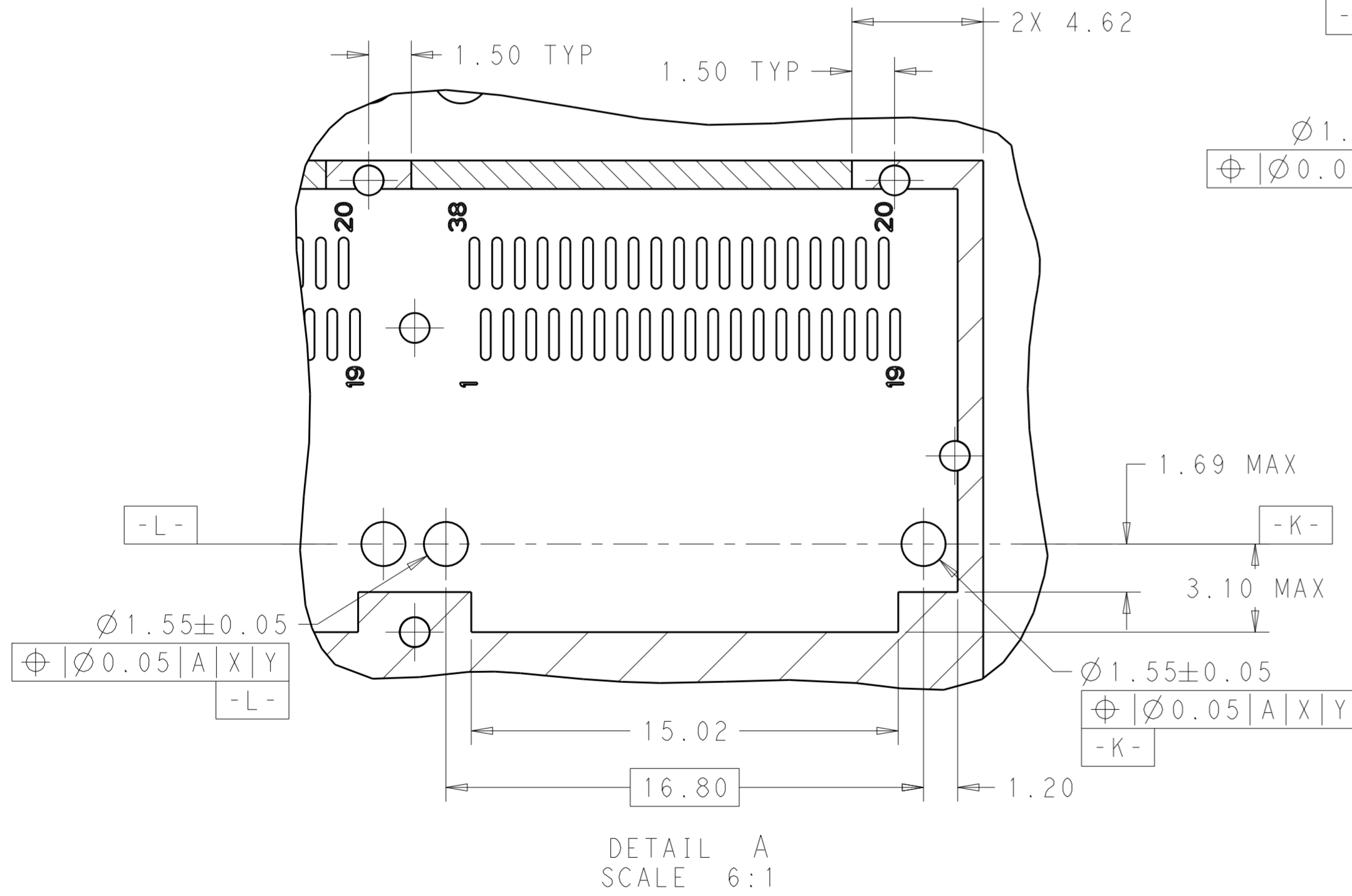


RECOMMENDED PCB LAYOUT
 BELLY TO BELLY TYPE
 PCB TOLERANCE: ±0.05
 SCALE 3:1

THIS DRAWING IS A CONTROLLED DOCUMENT.		DWN JASON YANG 20 JUN 2014	 TE Connectivity	
		CHK SEAN HAN 01 NOV 2016		
DIMENSIONS: mm		TOLERANCES UNLESS OTHERWISE SPECIFIED:		NAME RECEPTACLE CAGE ASSEMBLY WITH HEAT SINKS AND LIGHT PIPES, THRU BEZEL, 1X4, QSFP28, GASKET
		0 PLC ± 1 PLC ±0.25 2 PLC ±0.2 3 PLC ± 4 PLC ± ANGLES ± FINISH ±		PRODUCT SPEC 108-19428 APPLICATION SPEC 114-32023 WEIGHT -
MATERIAL SEE NOTES		FINISH SEE NOTES		SIZE A200779 CAGE CODE C-2170785 DRAWING NO - RESTRICTED TO -
		CUSTOMER DRAWING		SCALE 3:1 SHEET 7 OF 9 REV A

THIS DRAWING IS UNPUBLISHED. RELEASED FOR PUBLICATION 20
 © COPYRIGHT 20 BY - ALL RIGHTS RESERVED.

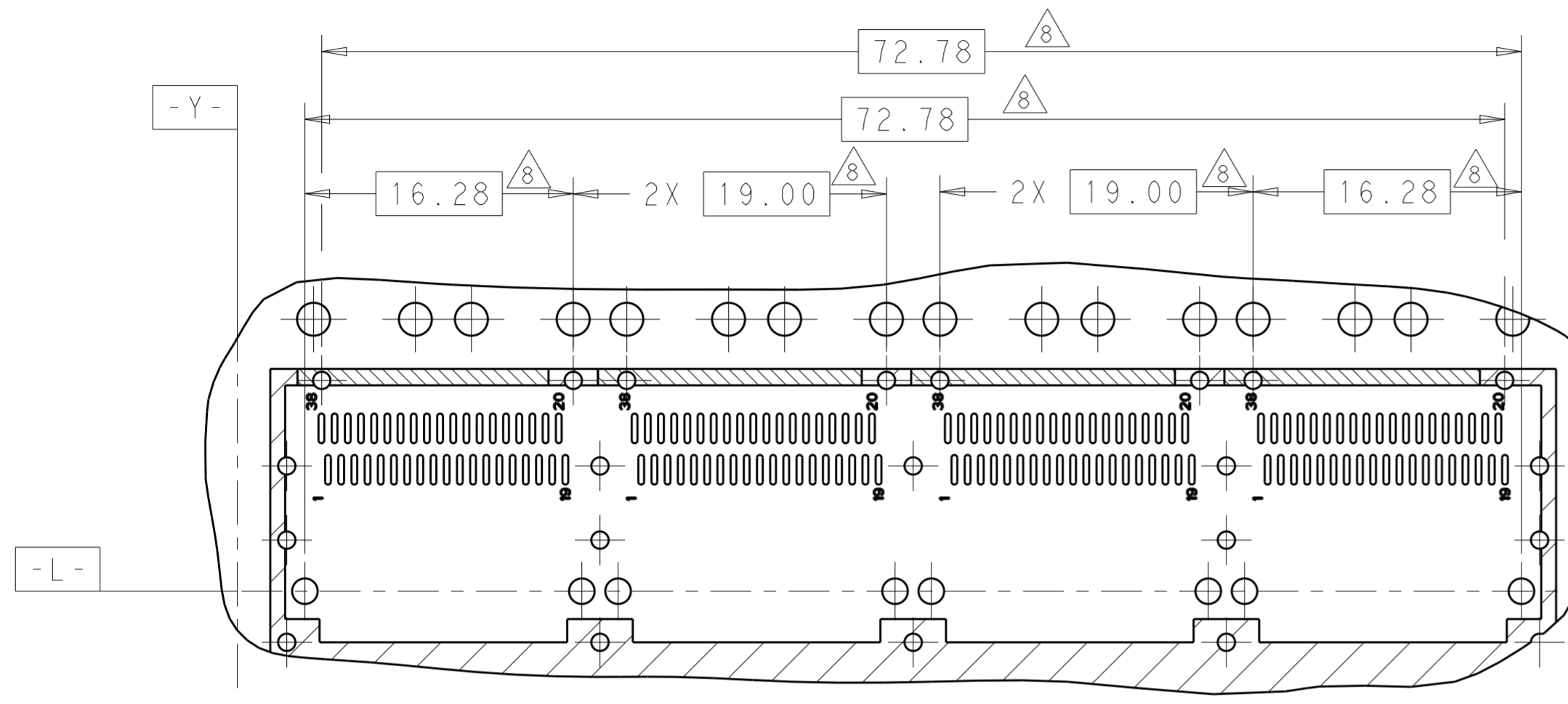
REVISIONS				
P	LTR	DESCRIPTION	DATE	APVD
-	-	SEE SHEET 1	-	-



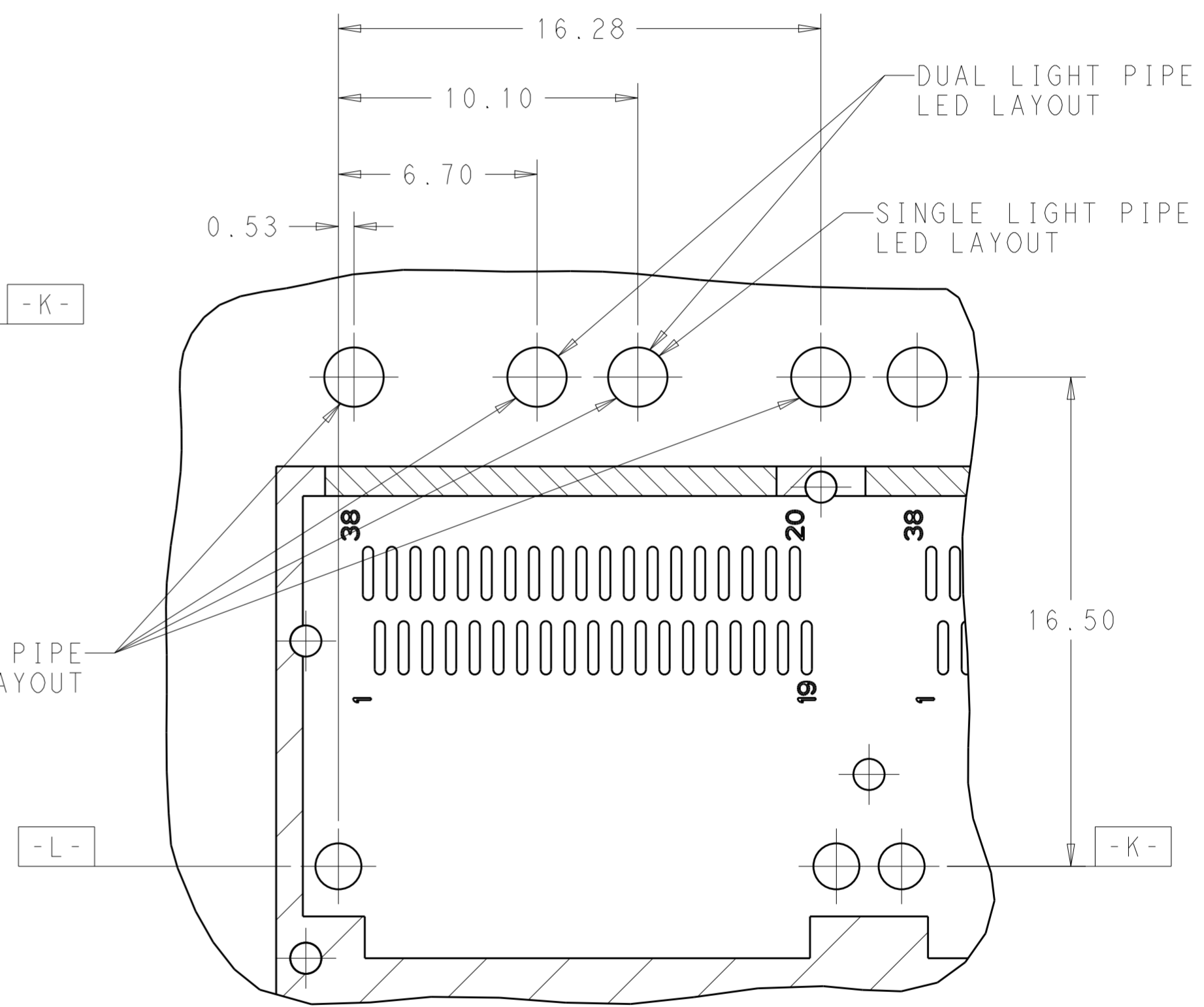
THIS DRAWING IS A CONTROLLED DOCUMENT.		DWN 20 JUN 2014 JASON YANG	TE Connectivity
		CHK 01 NOV 2016 SEAN HAN	
DIMENSIONS: mm	TOLERANCES UNLESS OTHERWISE SPECIFIED:	APVD -	NAME RECEPTACLE CAGE ASSEMBLY WITH HEAT SINKS AND LIGHT PIPES, THRU BEZEL, 1X4, QSFP28, GASKET
0 PLC ±	1 PLC ±0.25	PRODUCT SPEC 108-19428	SIZE A200779
2 PLC ±0.2	3 PLC ±	APPLICATION SPEC 114-32023	CAGE CODE C-2170785
4 PLC ±	ANGLES ±	WEIGHT -	DRAWING NO -
MATERIAL SEE NOTES	FINISH SEE NOTES	CUSTOMER DRAWING	RESTRICTED TO -
		SCALE 3:1	SHEET 8 OF 9
		REV A	

THIS DRAWING IS UNPUBLISHED. RELEASED FOR PUBLICATION 20
 © COPYRIGHT 20 BY - ALL RIGHTS RESERVED.

REVISIONS				
P	LTR	DESCRIPTION	DATE	APVD
-		SEE SHEET 1	-	-



DETAIL D
SCALE 3:1



DETAIL E
SCALE 6:1

THIS DRAWING IS A CONTROLLED DOCUMENT.		DWN 20 JUN 2014 JASON YANG	STE TE Connectivity
		CHK 01 NOV 2016 SEAN HAN	
DIMENSIONS:	TOLERANCES UNLESS OTHERWISE SPECIFIED:	APVD -	NAME
mm	0 PLC ± 1 PLC ±0.25 2 PLC ±0.2 3 PLC ± 4 PLC ±	PRODUCT SPEC	RECEPTACLE CAGE ASSEMBLY WITH HEAT SINKS AND LIGHT PIPES, THRU BEZEL, 1X4, QSFP28, GASKET
	ANGLES ±	APPLICATION SPEC	SIZE CAGE CODE DRAWING NO
MATERIAL	FINISH	114-32023	A200779C-2170785
SEE NOTES	SEE NOTES	WEIGHT -	RESTRICTED TO
		CUSTOMER DRAWING	SCALE 3:1 SHEET 9 OF 9 REV A

X-ON Electronics

Largest Supplier of Electrical and Electronic Components

Click to view similar products for [I/O Connectors](#) category:

Click to view products by [TE Connectivity](#) manufacturer:

Other Similar products are found below :

[571763P](#) [72.250.1628.2](#) [72.250.2428.2](#) [74720-0505](#) [76.350.0729.0](#) [76871-1403](#) [FCN-244F080-G/1](#) [FCN-260A9920](#) [MP-5T180MUNNA-005](#)
[PCR-E36PM](#) [PCS-XE26MA+](#) [G38A71314B](#) [1571250010](#) [157-22500-3](#) [MS3471L14-19P L/C](#) [91-569786-35H](#) [172501-4002](#) [172501-6002](#)
[FCN-260C008-A/L0](#) [FCN-260C024-AL0](#) [FCN-261Z008](#) [2000314-1](#) [200331-1](#) [PCR-E36FC+](#) [PCS-E28FS+](#) [PCS-XE26SLFD+](#) [PCS-](#)
[XE26SLFDT+](#) [G730VID08BDC24](#) [HDMR-29-01-S-SM-TR](#) [U90B2054081210](#) [UE86K842720321](#) [38113800006](#) [DP3AR020WQ1R200](#)
[Z4.102.0680.0](#) [500-1040](#) [500-1052](#) [500-1054](#) [ZP-4008-66L](#) [0709821002](#) [10-565995-597N](#) [DX40-20P\(55\)](#) [5554841-1](#) [U90B3054061110](#)
[U65-E04-4020](#) [ZPF00000000097891](#) [557-262M2-06C](#) [747360449](#) [10099439-003C-TRLF](#) [10137239-0021LF](#) [E9320-001-01](#)